



US00D437867S

(12) **United States Design Patent**
Hollington et al.

(10) **Patent No.:** **US D437,867 S**

(45) **Date of Patent:** **** Feb. 20, 2001**

(54) **FLASH CAMERA**

(75) Inventors: **Geoff Hollington; Richard Arnott; David Townsend-Elliott**, all of London (GB); **Francis R. Skop, Jr.**, Rochester, NY (US)

(73) Assignee: **Eastman Kodak Company**, Rochester, NY (US)

(**) Term: **14 Years**

(21) Appl. No.: **29/117,650**

(22) Filed: **Jan. 28, 2000**

(51) **LOC (7) Cl.** **16-01**

(52) **U.S. Cl.** **D16/211; D16/209**

(58) **Field of Search** **D16/200-205, D16/208, 209, 211, 217, 218; 396/176-178, 348-350, 448, 535-541**

(56) **References Cited**

U.S. PATENT DOCUMENTS

D. 358,831	*	5/1995	Kozu	D16/209
D. 370,924	*	6/1996	McBride et al.	D16/209
D. 390,587	*	2/1998	Schelling et al.	D16/209
D. 413,614	*	9/1999	Eng et al.	D16/209
5,485,234	*	1/1996	Stephenson, III	396/178
5,546,147	*	8/1996	Baxter et al.	396/349
5,740,480	*	4/1998	Kuhn, Jr. et al.	396/177

* cited by examiner

Primary Examiner—Adir Aronovich

(74) *Attorney, Agent, or Firm*—David A. Novais

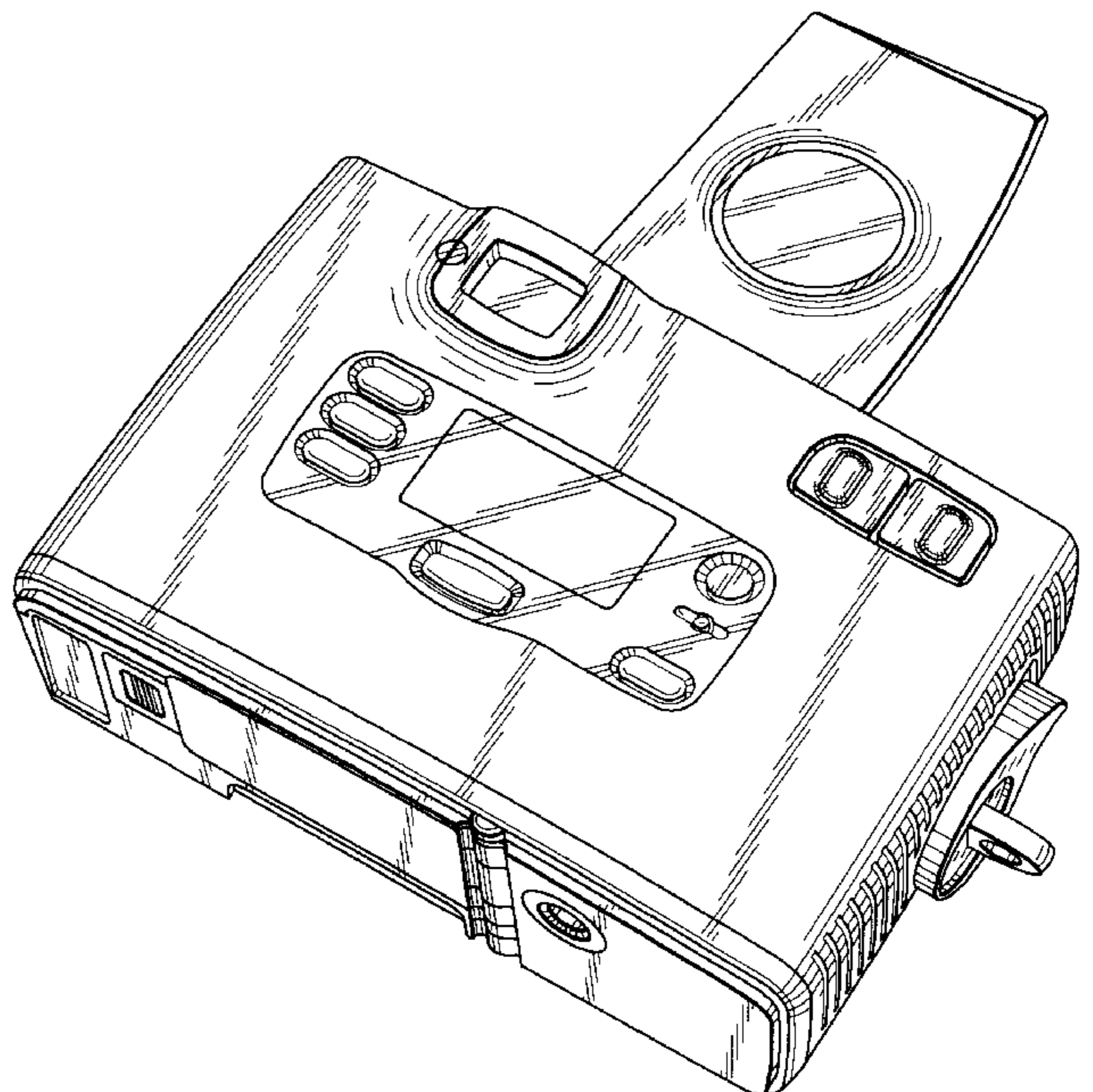
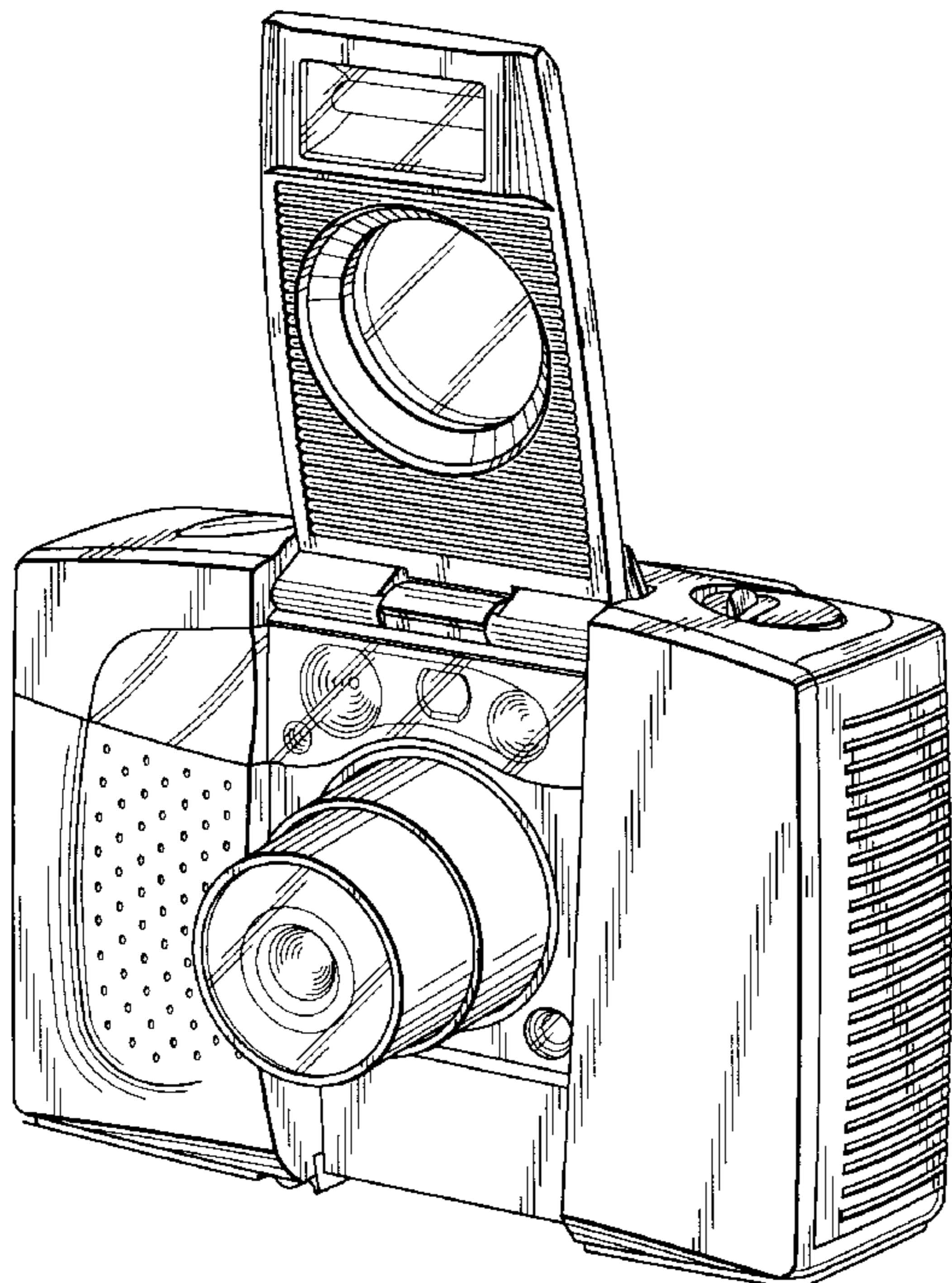
(57) **CLAIM**

The ornamental design of a flash camera, as shown and described.

DESCRIPTION

FIG. 1 is a perspective front, top, right view with the flash closed of the flash camera according to our new design; FIG. 2 is a perspective back, bottom, left view with the flash closed thereof; FIG. 3 is a front view with the flash closed thereof; FIG. 4 is back view with the flash closed thereof; FIG. 5 is a top view with the flash closed thereof; FIG. 6 is a bottom view with the flash closed thereof; FIG. 7 is a right side view with the flash closed thereof; FIG. 8 is a left side view with the flash closed thereof; FIG. 9 is a perspective front, top, right view with the flash open and the zoom extended thereof; FIG. 10 is a perspective back, bottom, left view with the flash open and the zoom extended thereof; FIG. 11 is a front view with the flash open and the zoom extended thereof; FIG. 12 is a back view with the flash open and the zoom extended thereof; FIG. 13 is a top view with the flash open and the zoom extended thereof; FIG. 14 is a bottom view with the flash open and the zoom extended thereof; FIG. 15 is a right side view with the flash open and the zoom extended thereof; and, FIG. 16 is a left side view with the flash open and the zoom extended thereof.

1 Claim, 16 Drawing Sheets



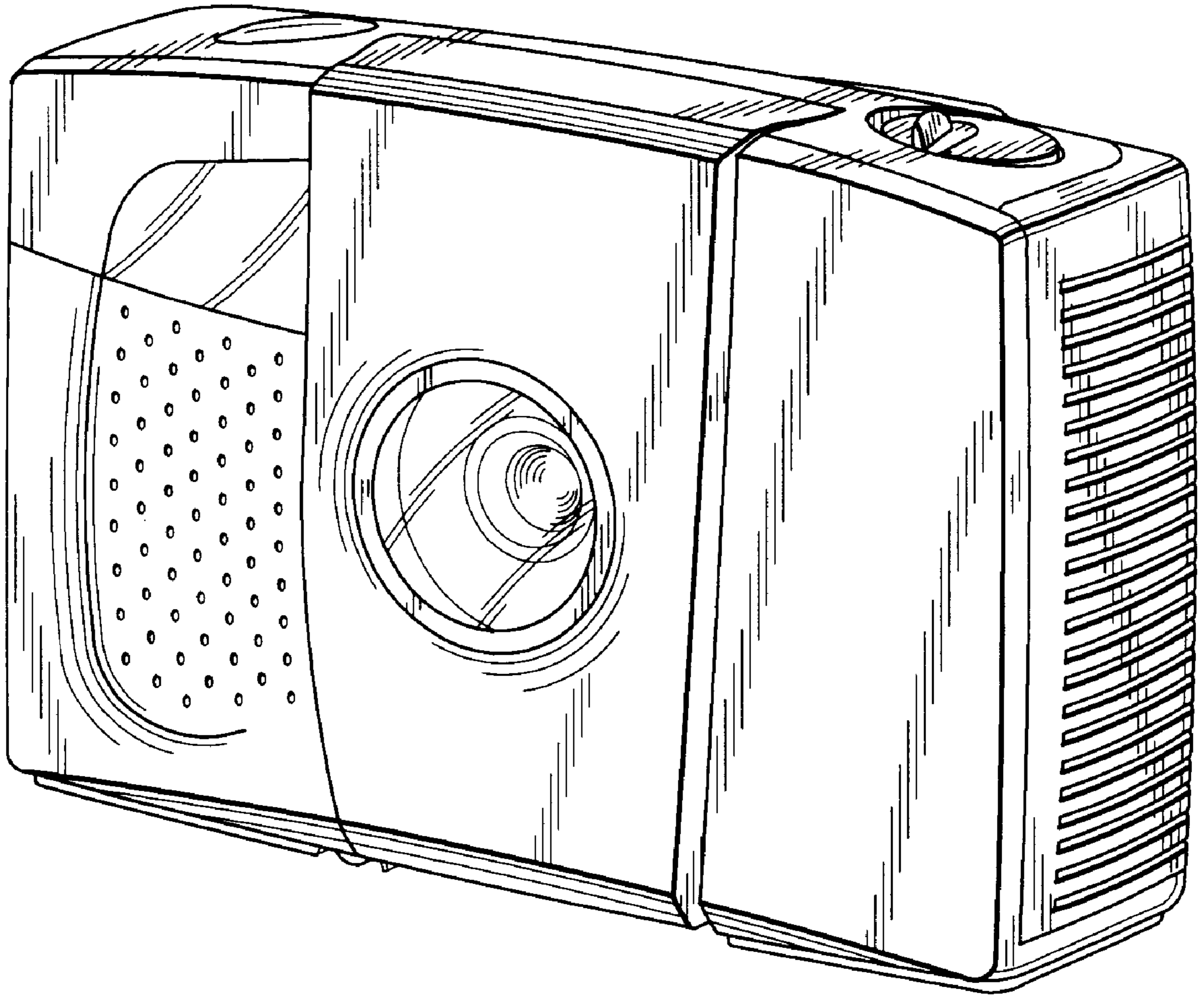


FIG. 1

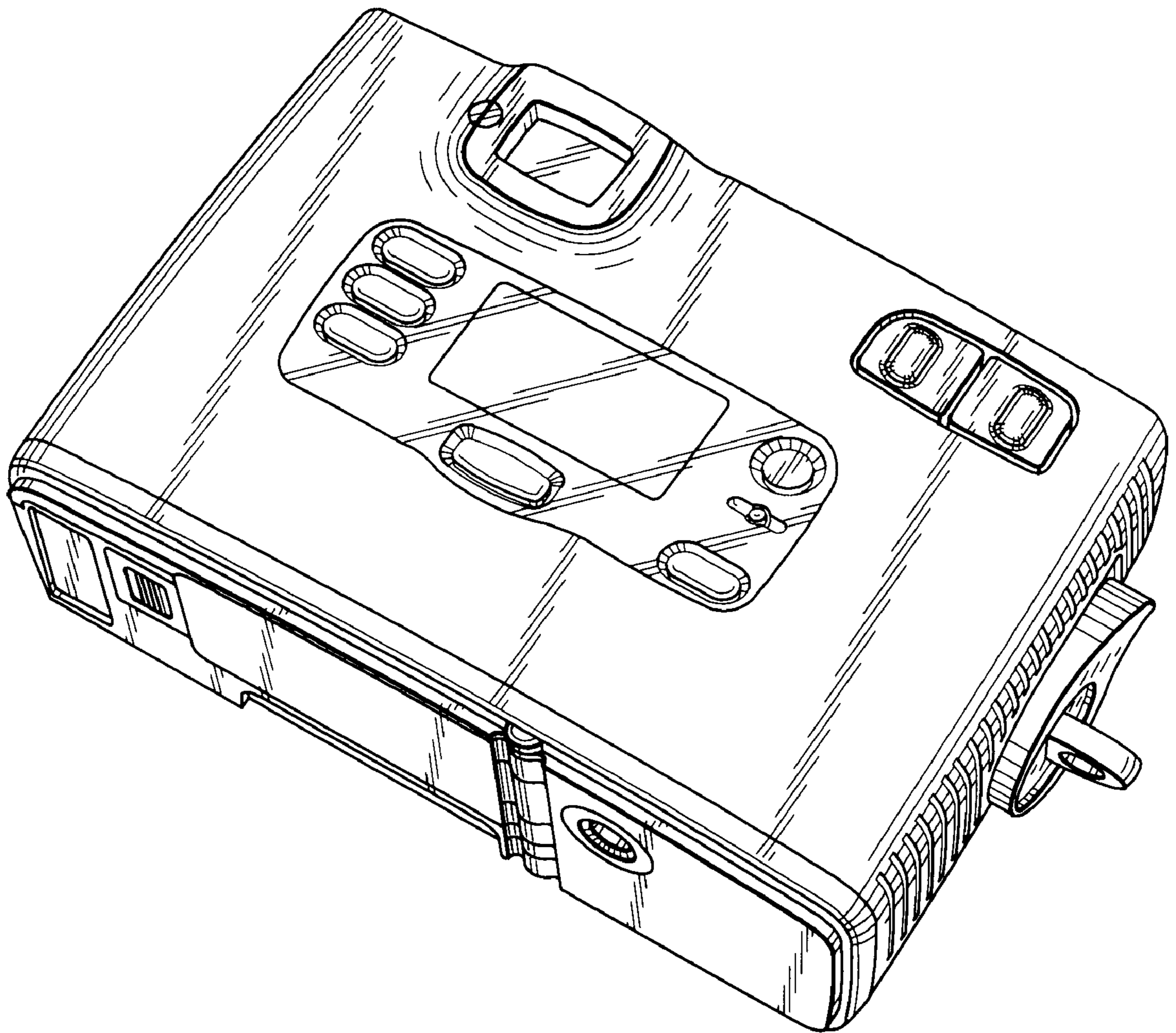


FIG. 2

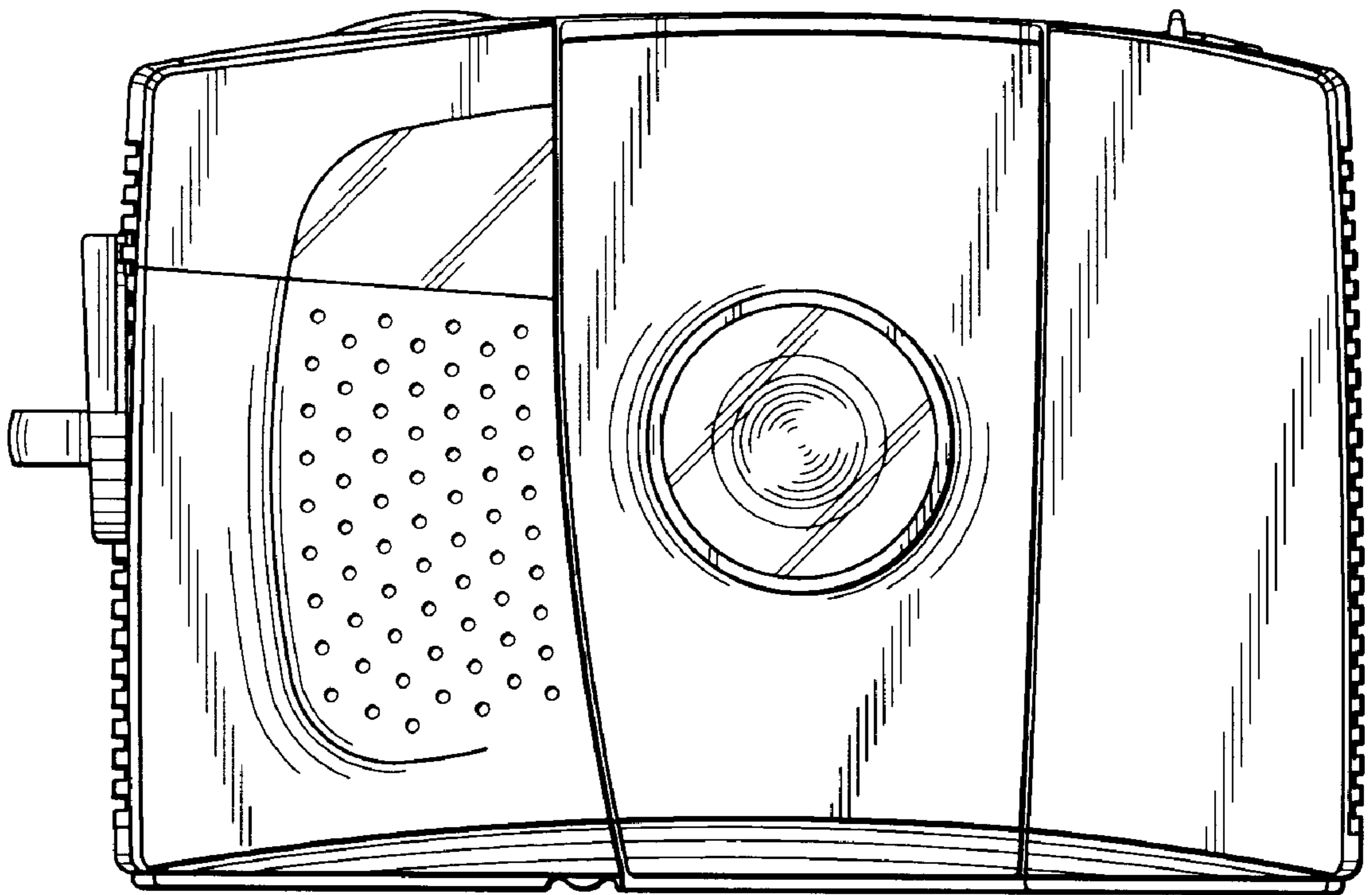


FIG. 3

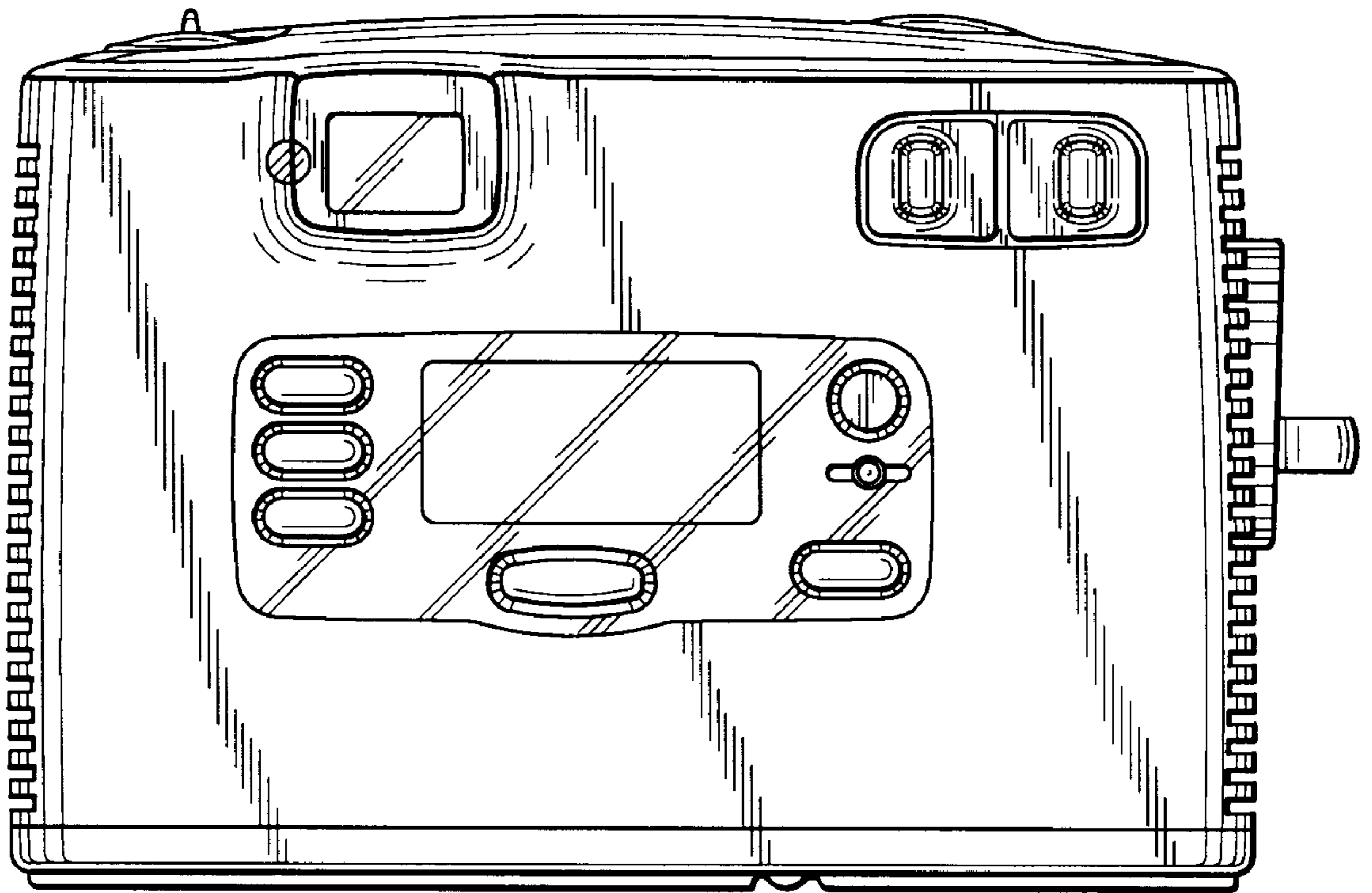


FIG. 4

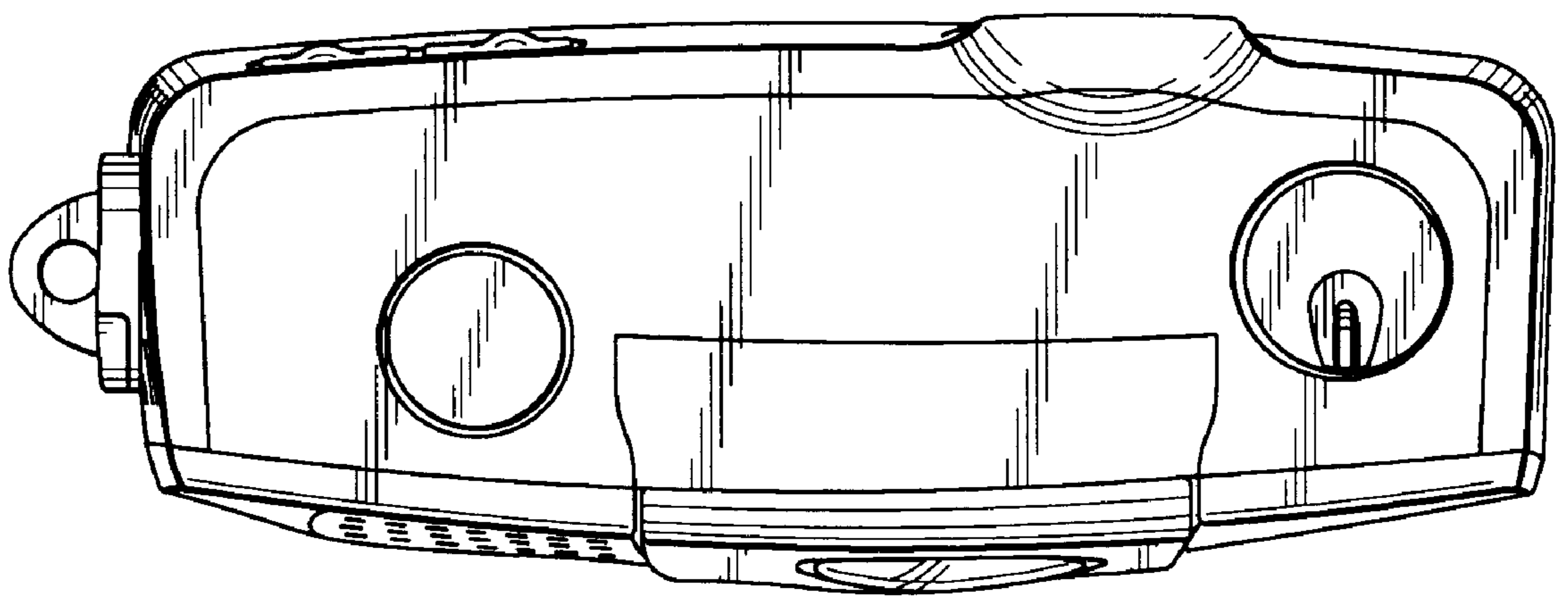


FIG. 5

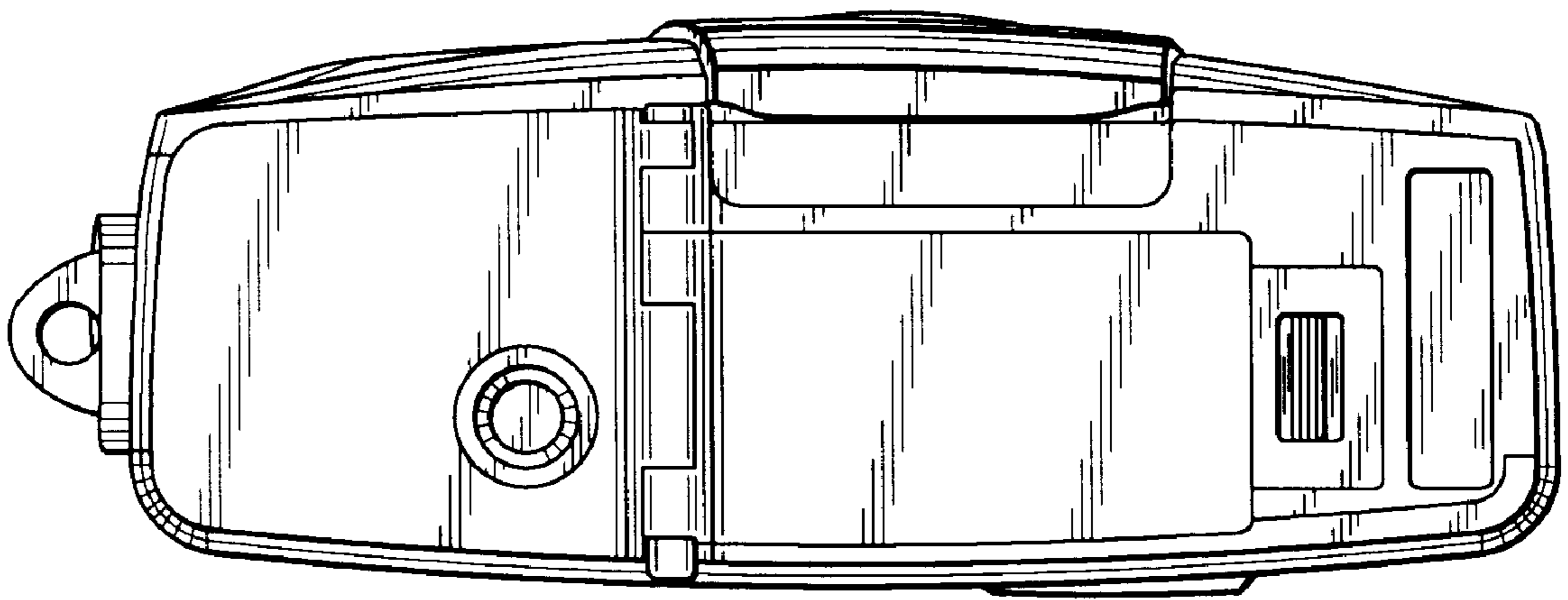


FIG. 6

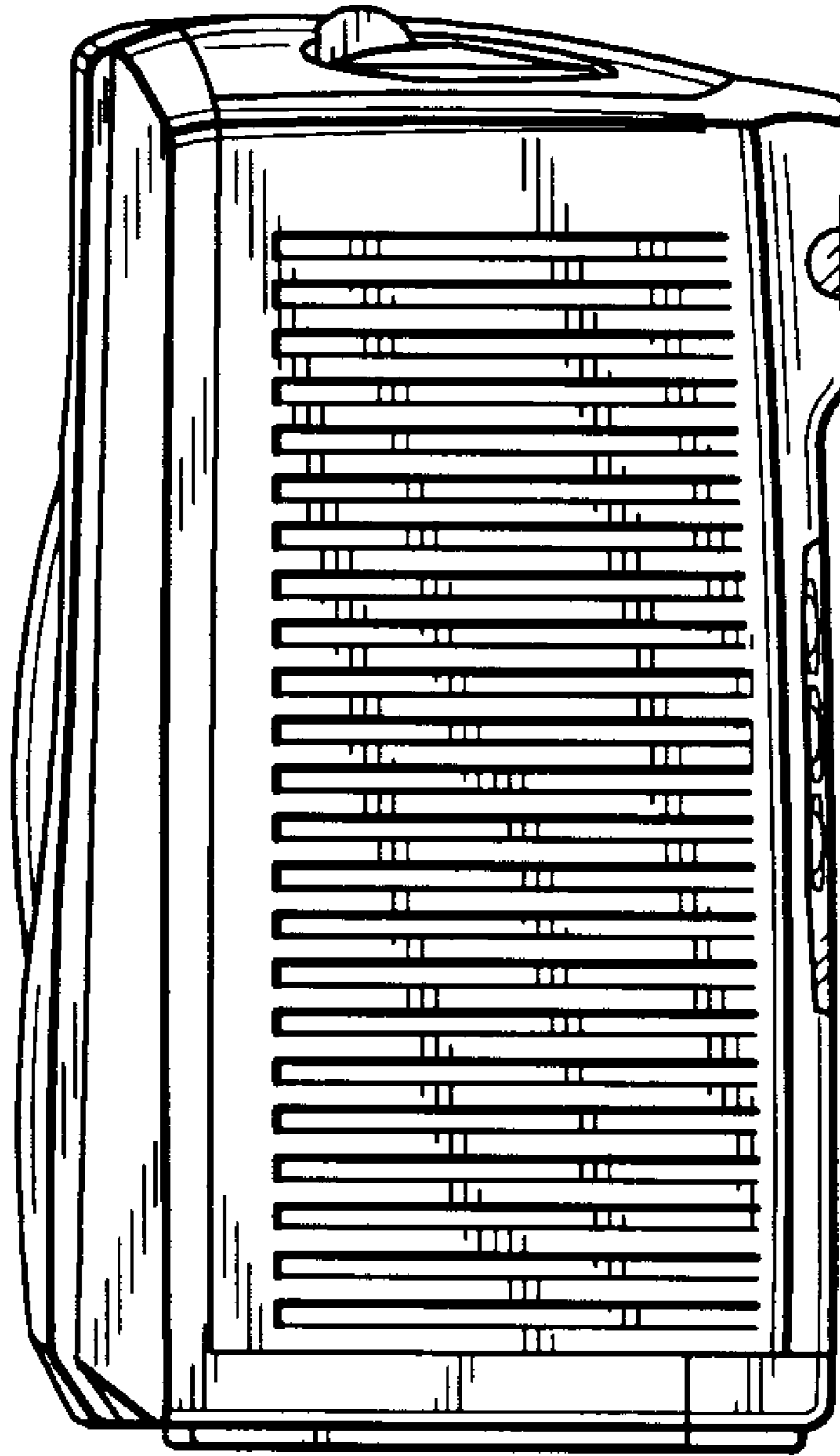


FIG. 7

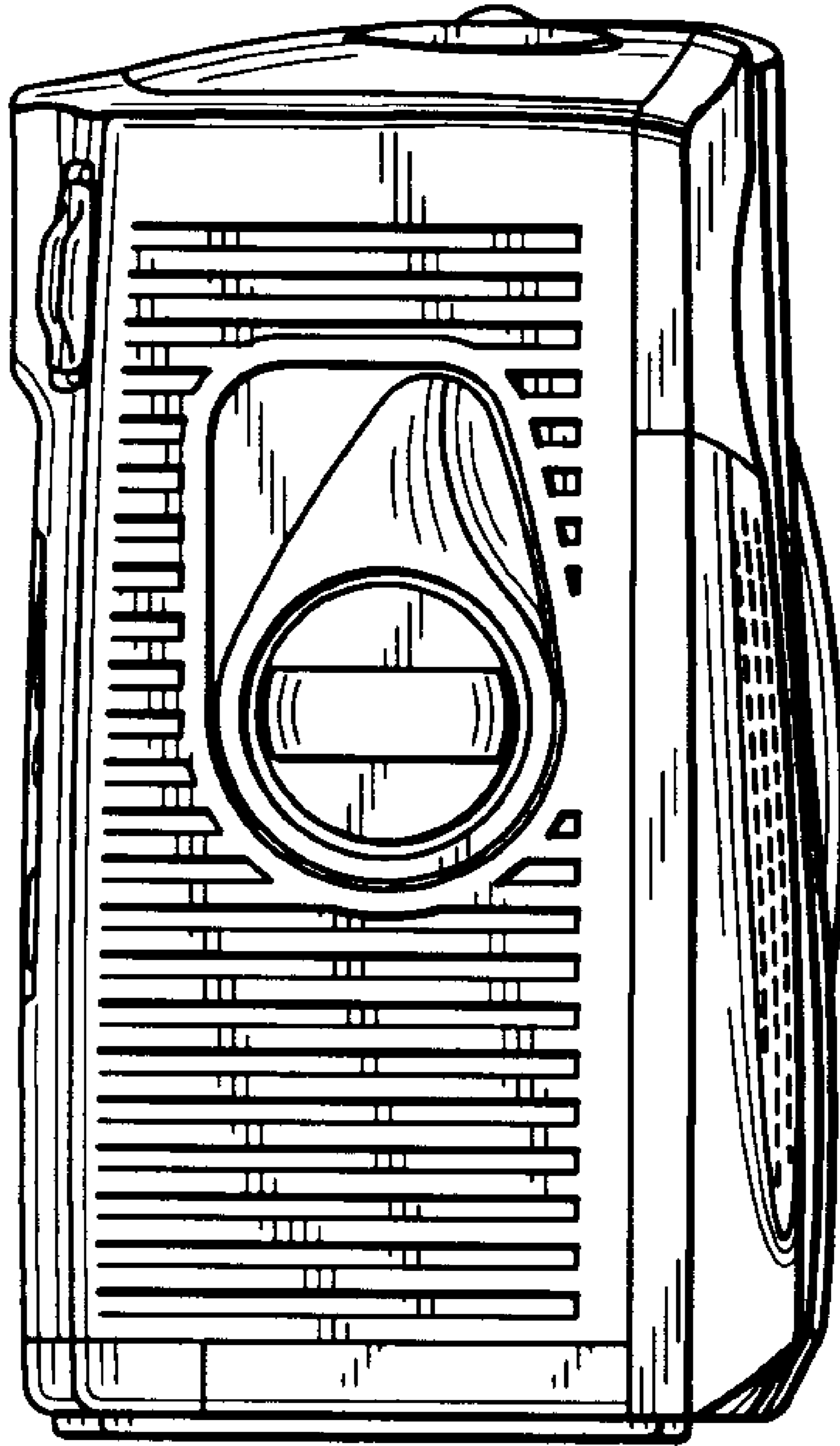


FIG. 8

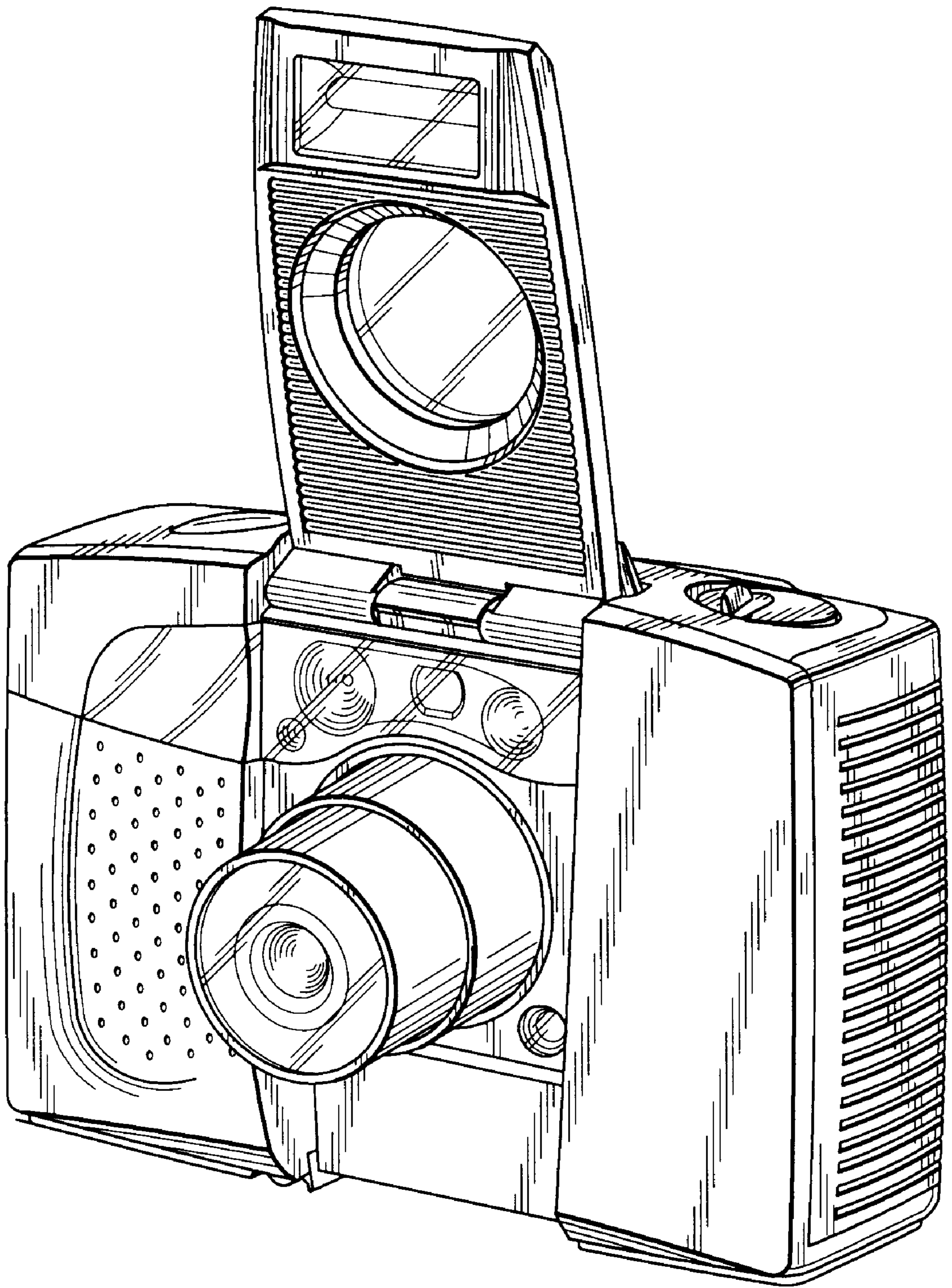


FIG. 9

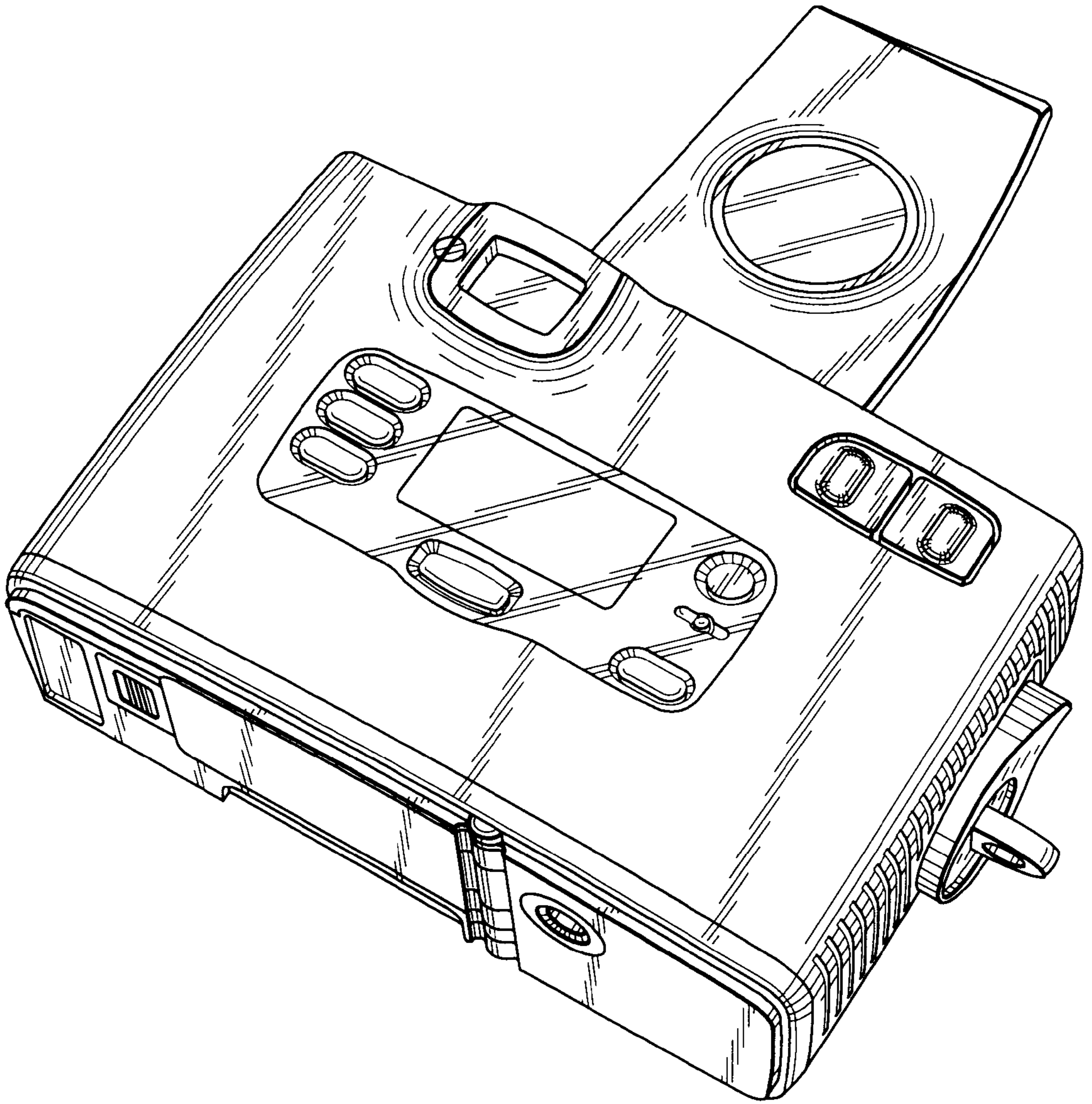


FIG. 10

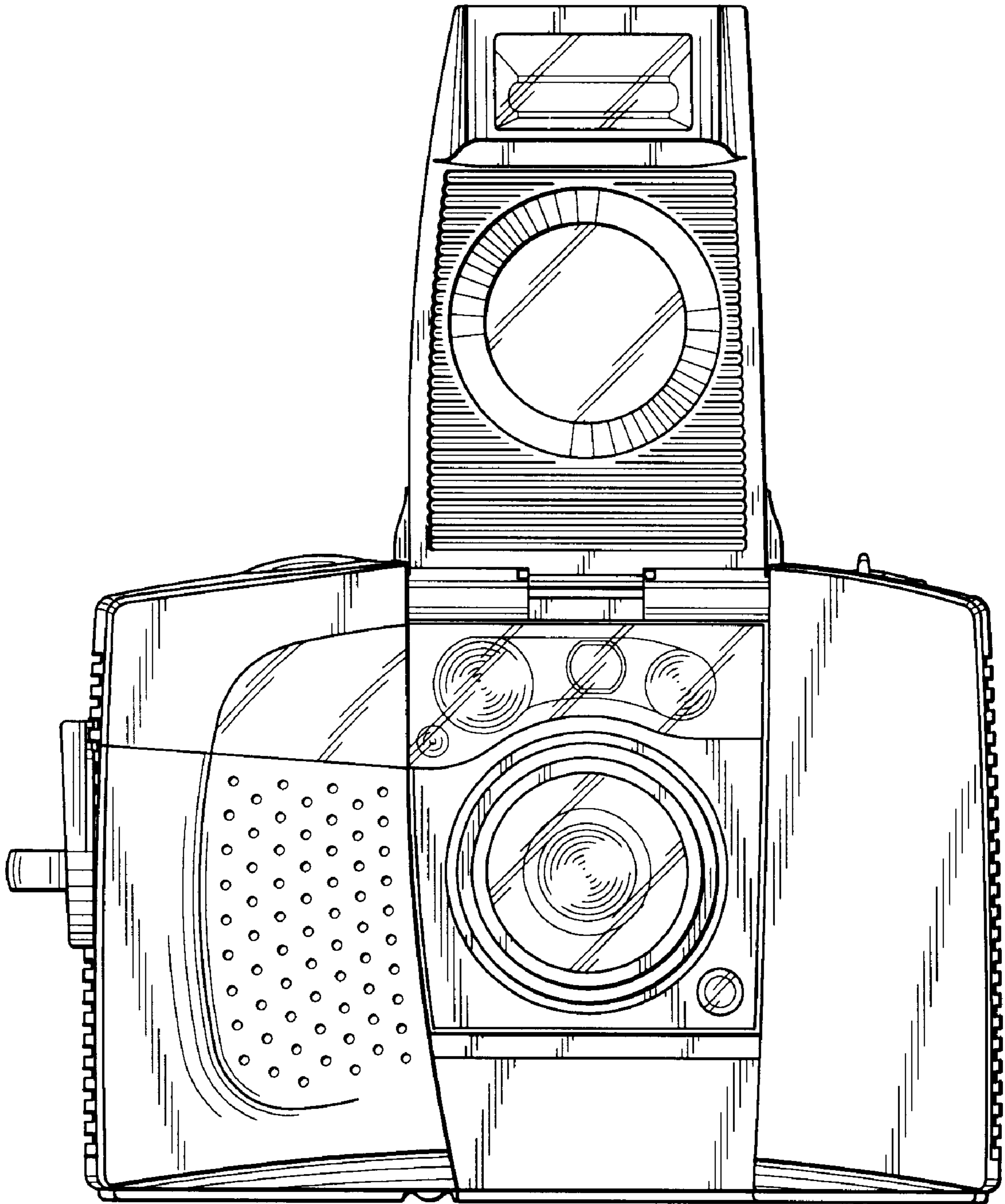


FIG. II

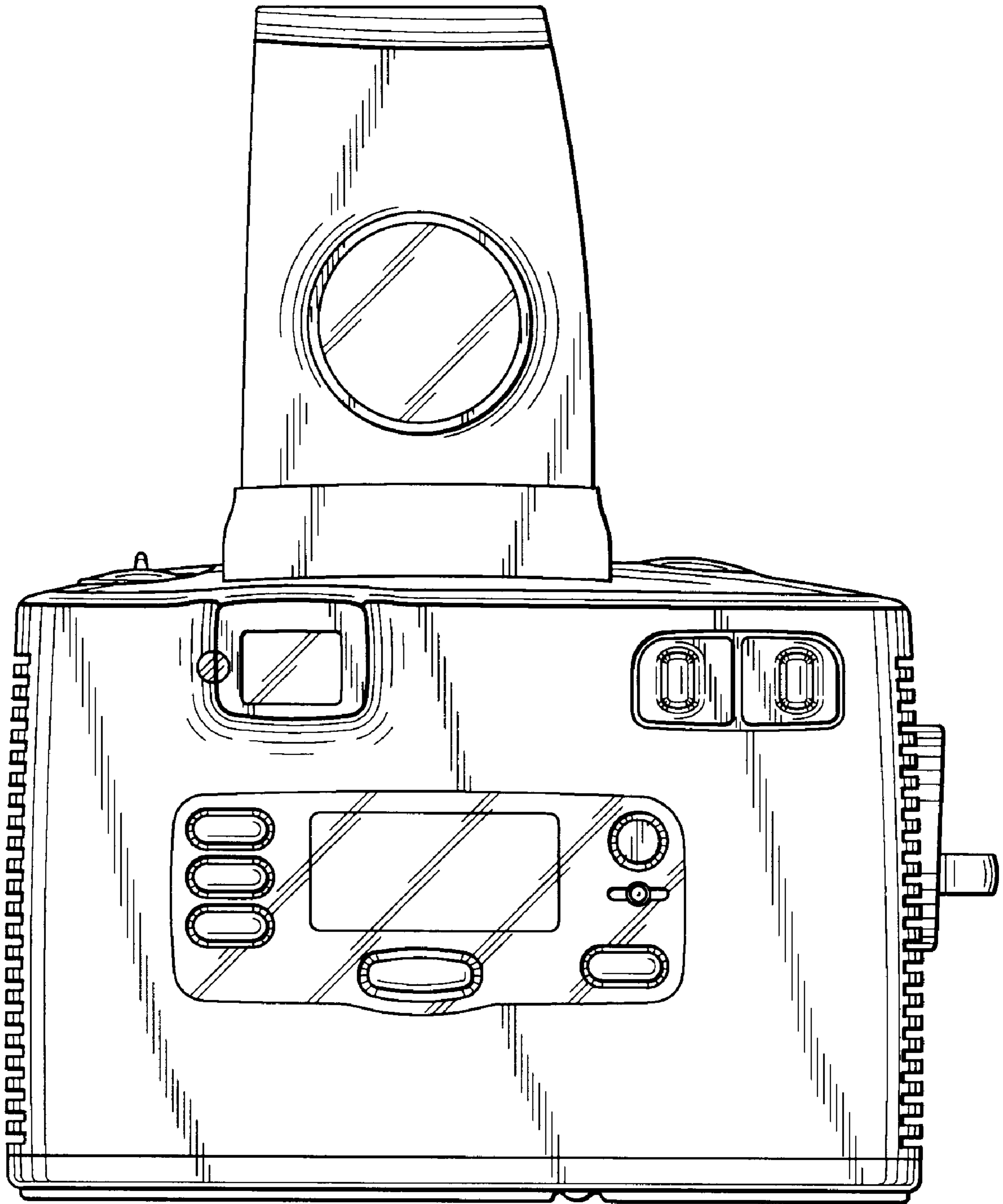


FIG. 12

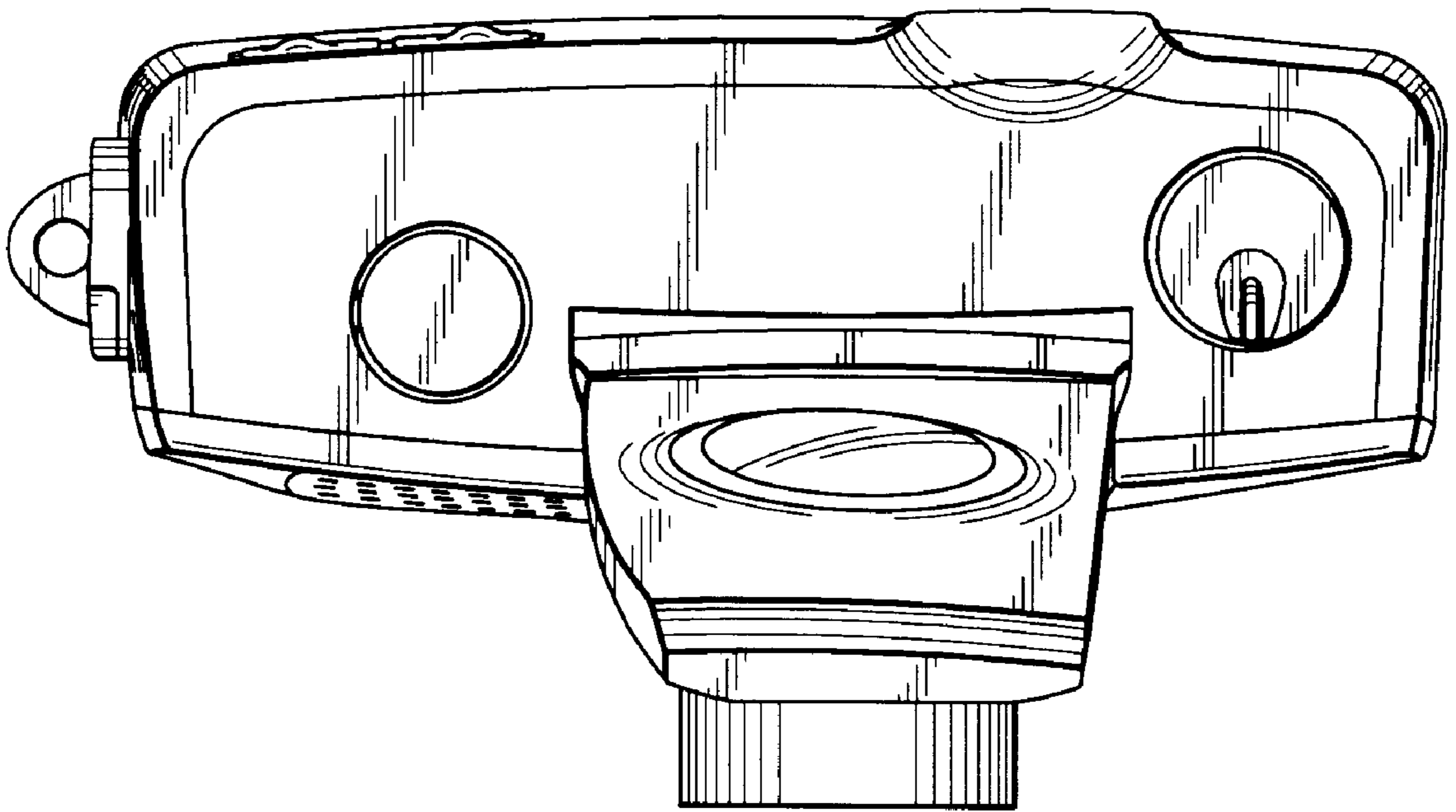


FIG. 13

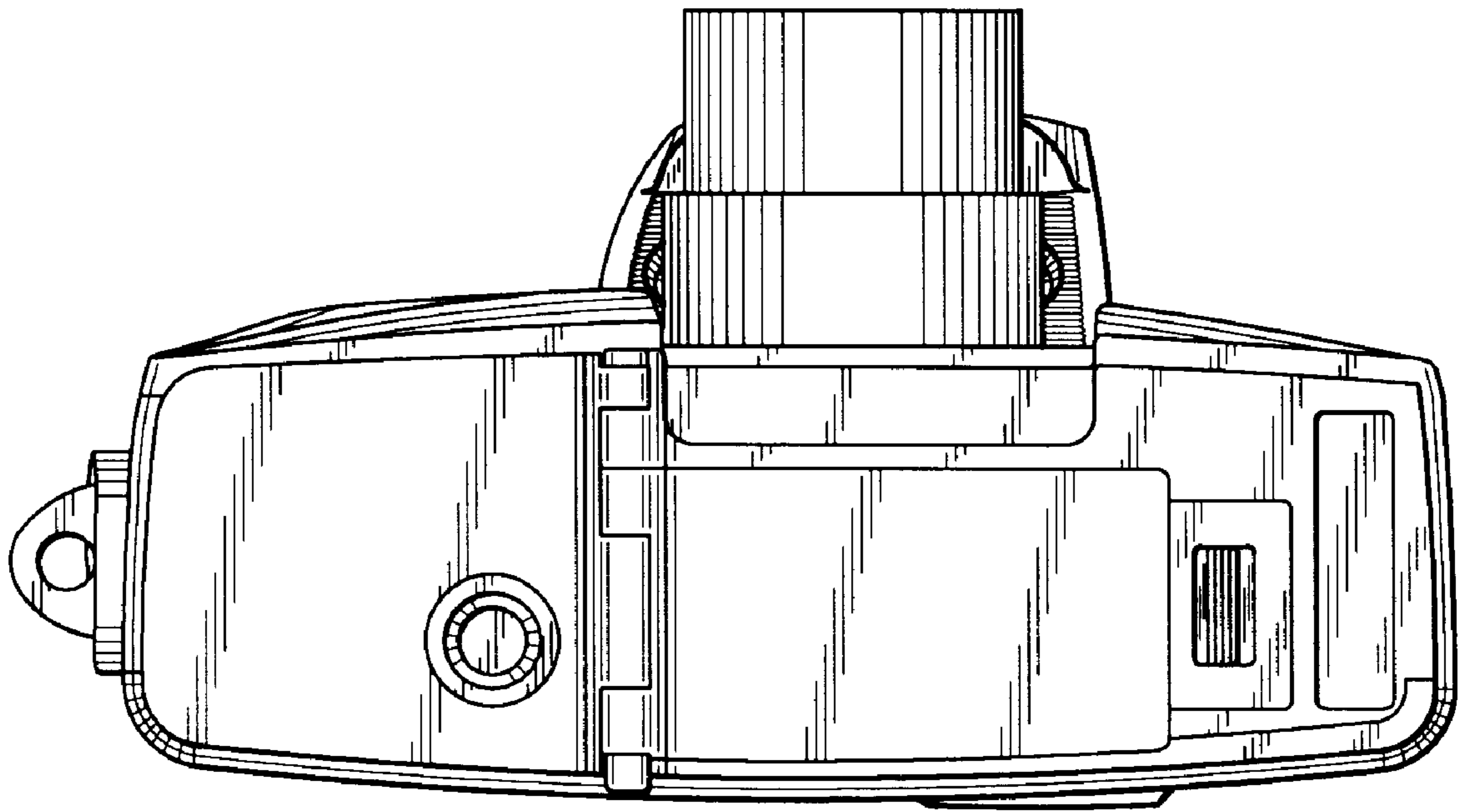


FIG. 14

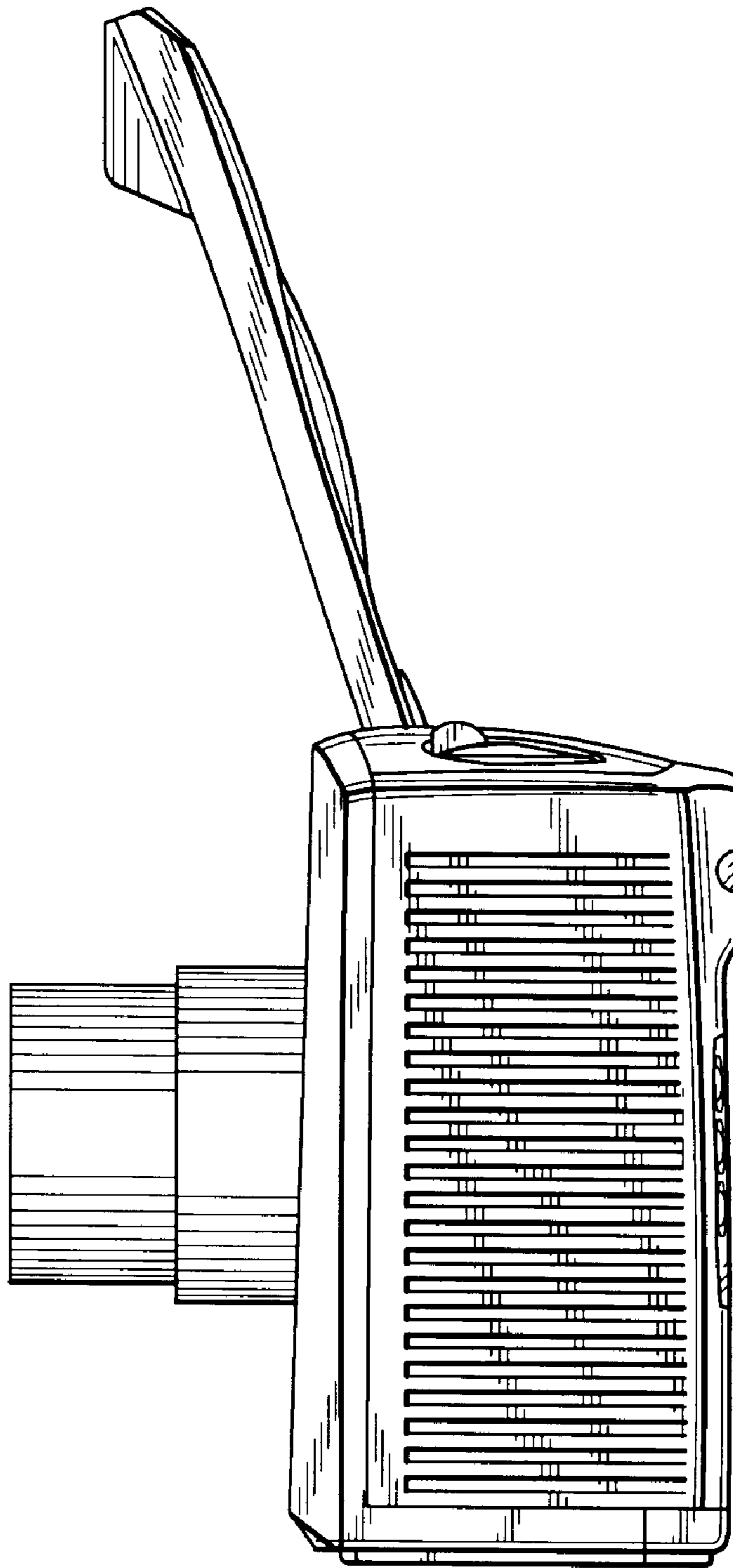


FIG. 15

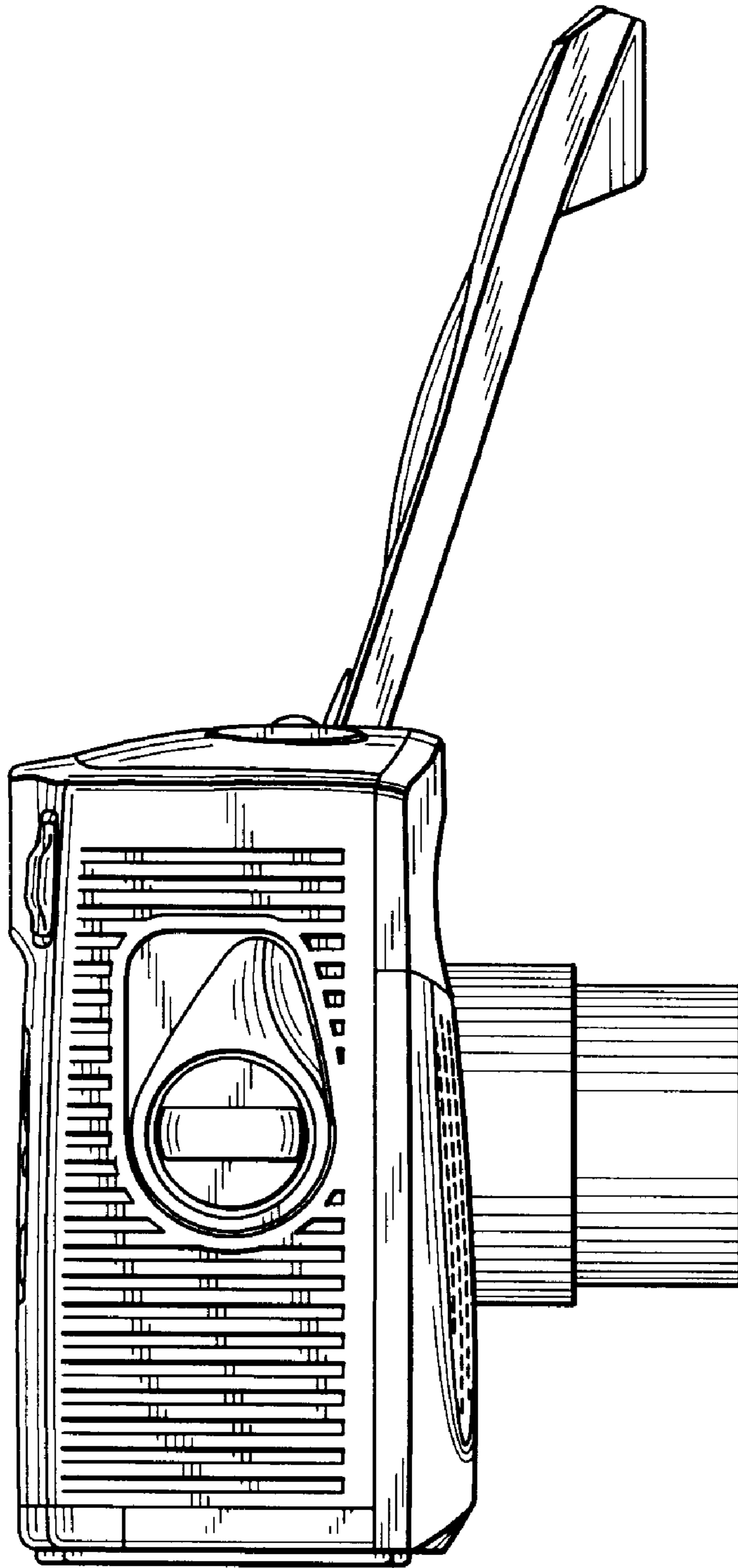


FIG. 16