



US00D437866S

(12) **United States Design Patent**
Yoshida

(10) **Patent No.:** **US D437,866 S**

(45) **Date of Patent:** **** Feb. 20, 2001**

(54) **CAMERA**

(75) **Inventor:** **Koji Yoshida, Tokyo (JP)**

(73) **Assignee:** **Fuji Photo Film Co., Ltd., Kanagawa (JP)**

(**) **Term:** **14 Years**

(21) **Appl. No.:** **29/124,630**

(22) **Filed:** **Jun. 9, 2000**

(30) **Foreign Application Priority Data**

Dec. 10, 1999 (JP) 11-34178

(51) **LOC (7) Cl.** **16-01**

(52) **U.S. Cl.** **D16/209; D16/212**

(58) **Field of Search** D16/200-205,
D16/207, 208, 209, 211, 212, 213, 217,
218; 396/6, 7, 448, 535-541

(56) **References Cited**

U.S. PATENT DOCUMENTS

- D. 213,806 * 4/1969 Ikegami D16/212
- D. 335,297 * 5/1993 Kawagoe D16/208
- D. 356,808 3/1995 Nagaoka D16/209

- D. 365,355 * 12/1995 Horikiri et al. D16/209
- D. 416,931 * 11/1999 Funato et al. D16/209
- D. 428,904 * 8/2000 Oshima D16/209
- 5,784,652 * 7/1998 Schroder et al. 396/6
- 5,926,653 * 7/1999 Nagasaka et al. 396/6

* cited by examiner

Primary Examiner—Adir Aronovich

(74) *Attorney, Agent, or Firm*—Young & Thompson

(57) **CLAIM**

The ornamental design for a camera, as shown and described.

DESCRIPTION

FIG. 1 is a perspective view of the top, front and left side of a camera showing my new design;
 FIG. 2 is a top plan view thereof;
 FIG. 3 is a front elevational view thereof;
 FIG. 4 is a rear elevational view thereof;
 FIG. 5 is a left side elevational view thereof;
 FIG. 6 is a right side elevational view thereof;
 FIG. 7 is a bottom plan view thereof; and,
 FIG. 8 is a front view thereof with a lens cover in the closed position and a light guide in the stowed position.

1 Claim, 4 Drawing Sheets

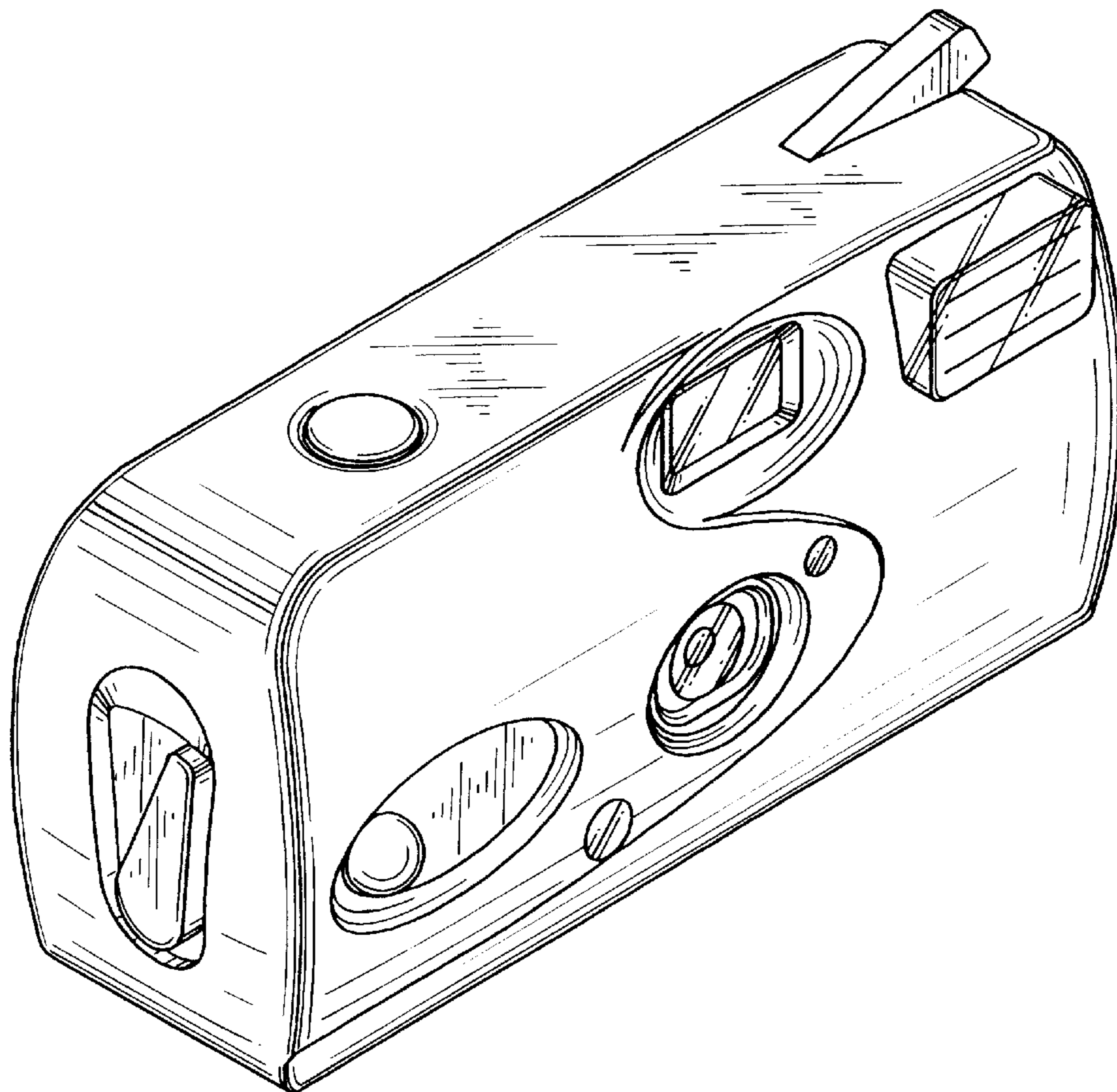


FIG. 1

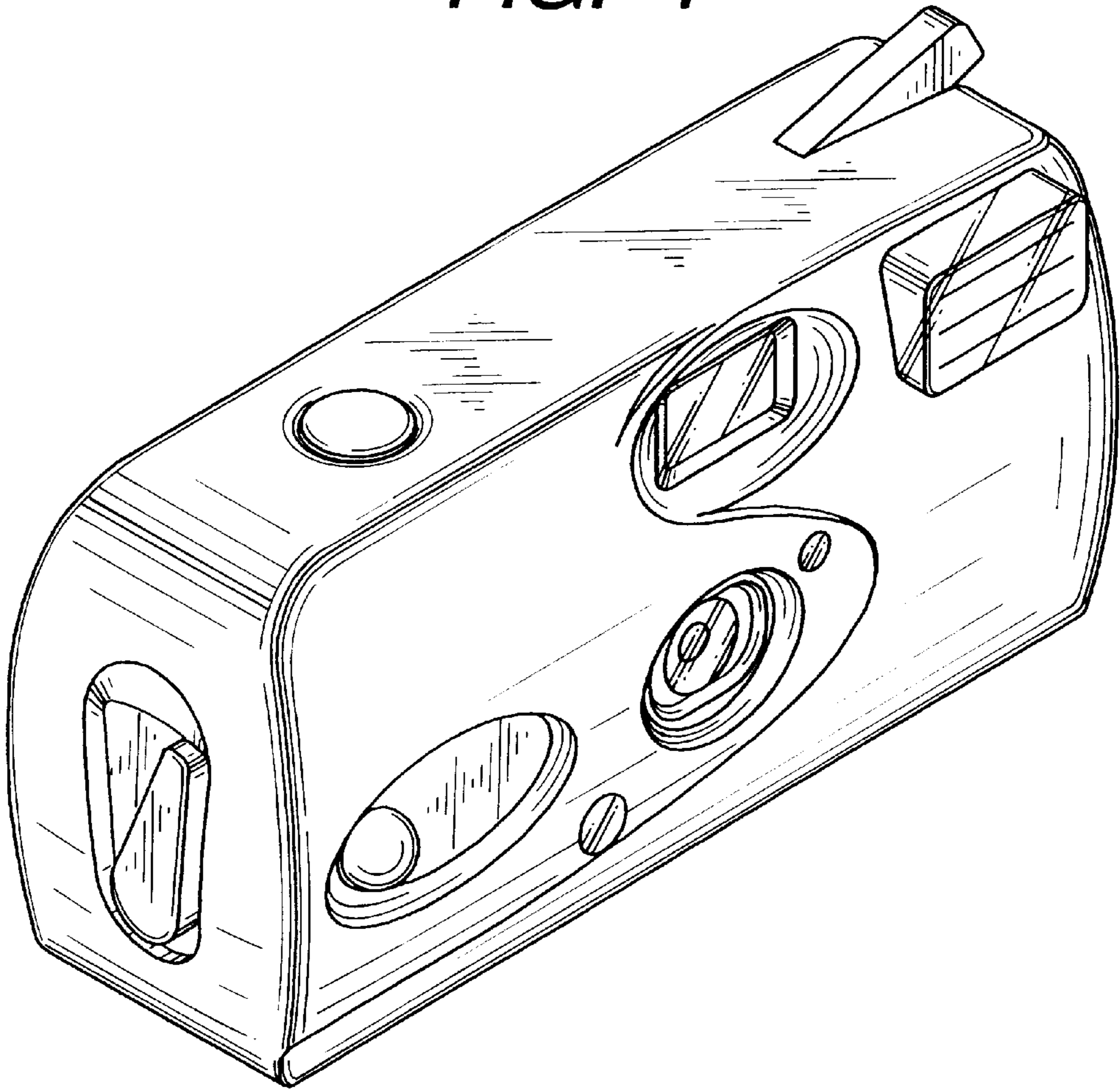


FIG. 2

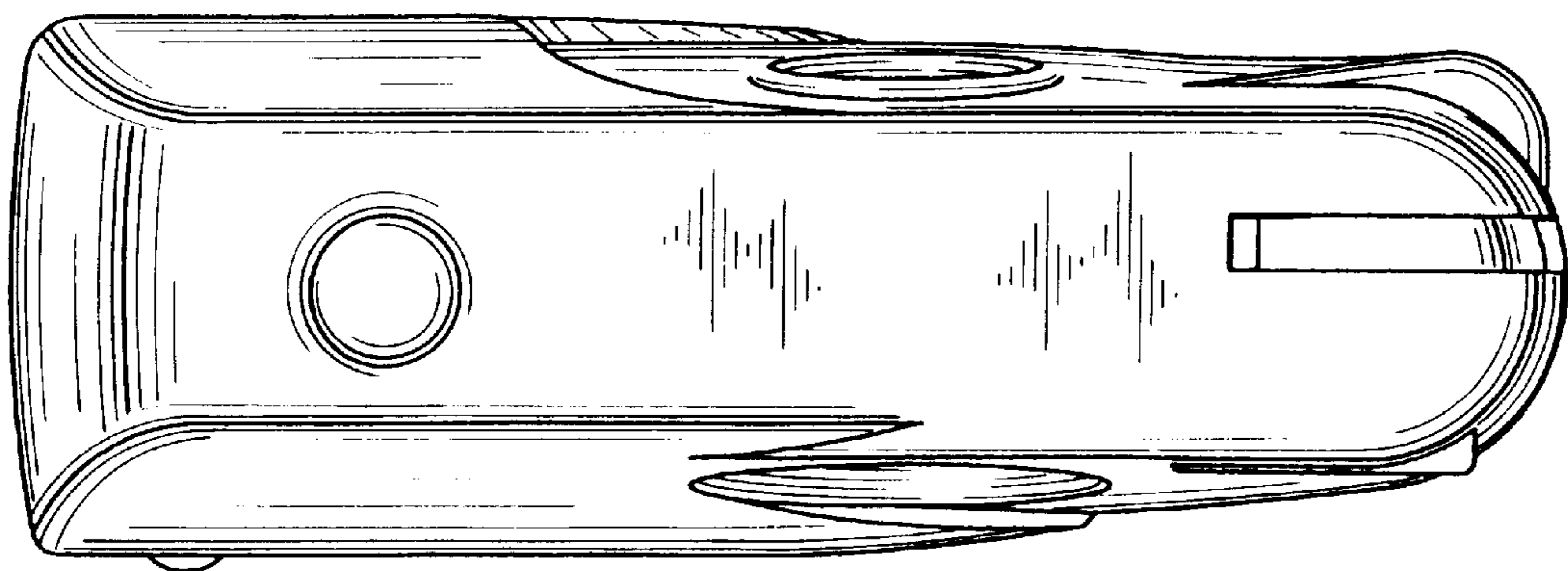


FIG. 3

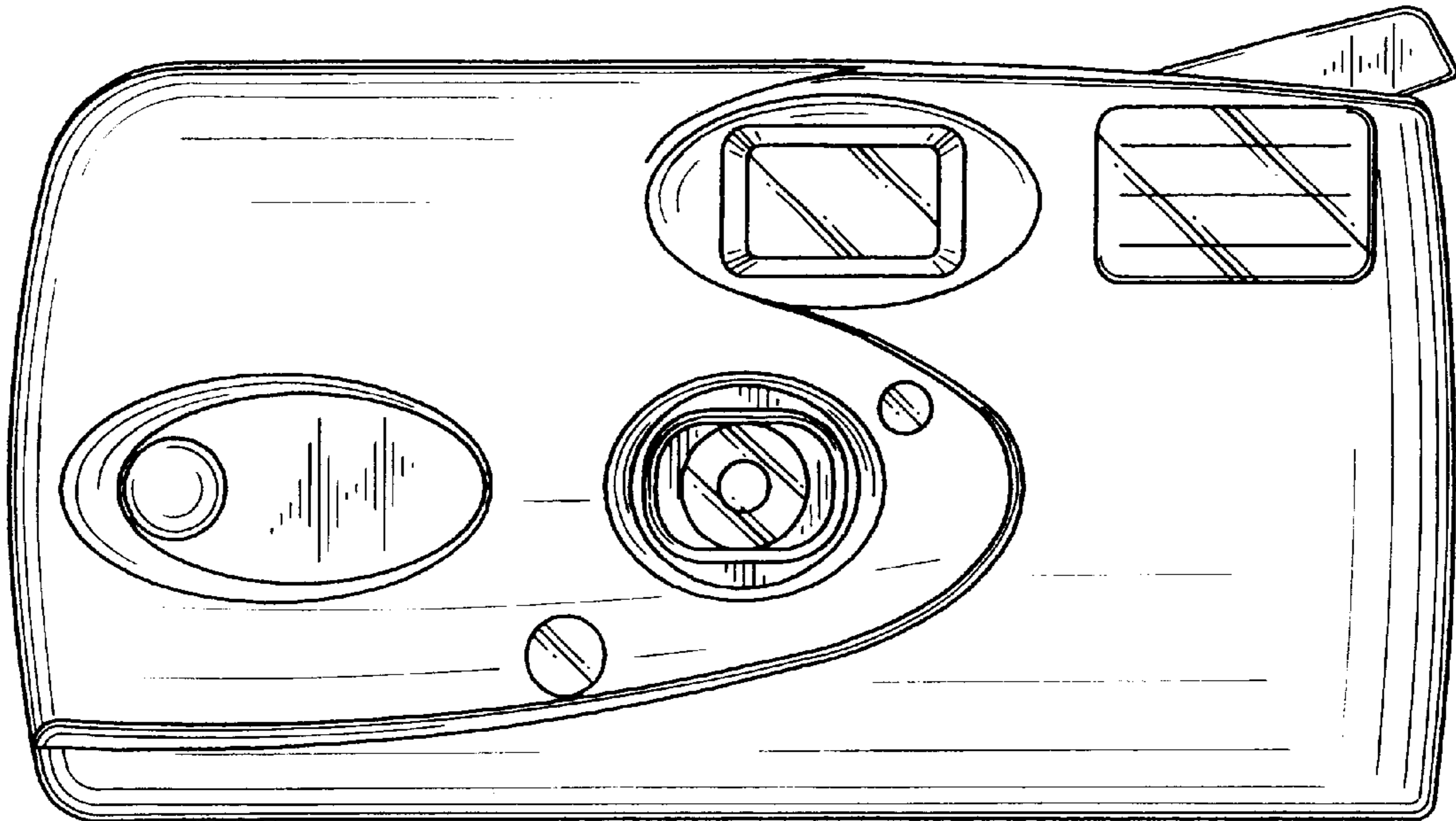


FIG. 4

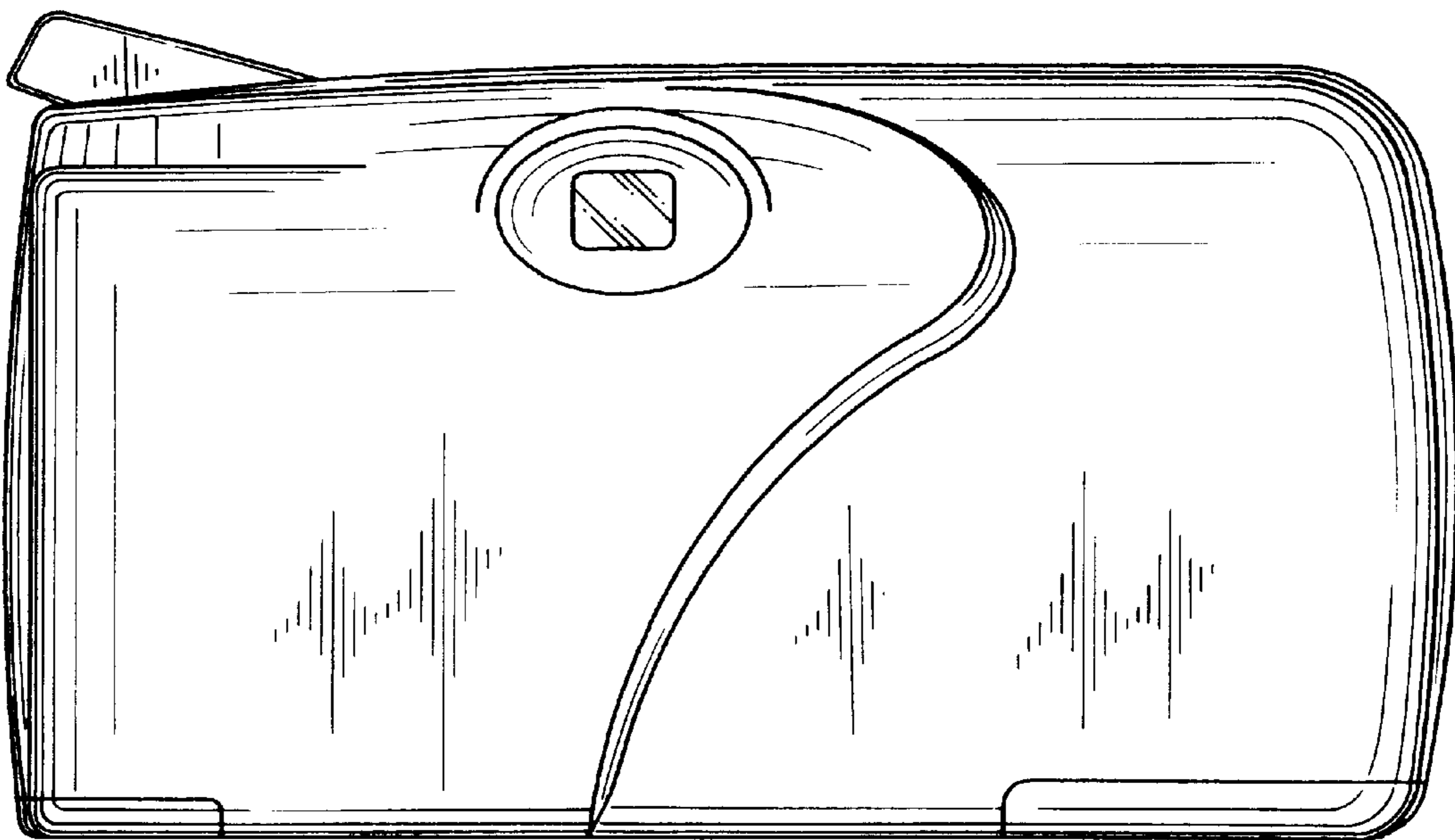


FIG. 5

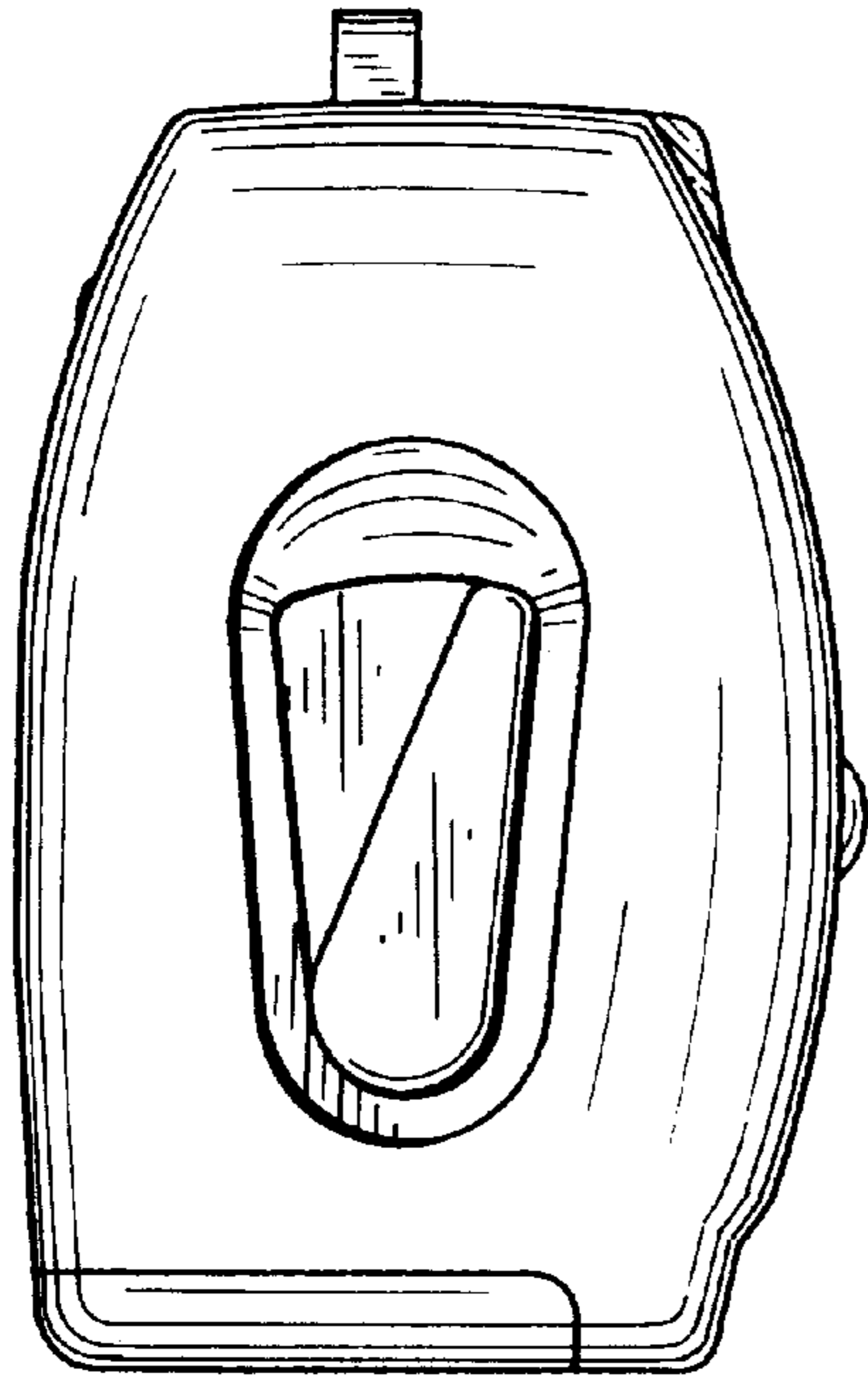


FIG. 6

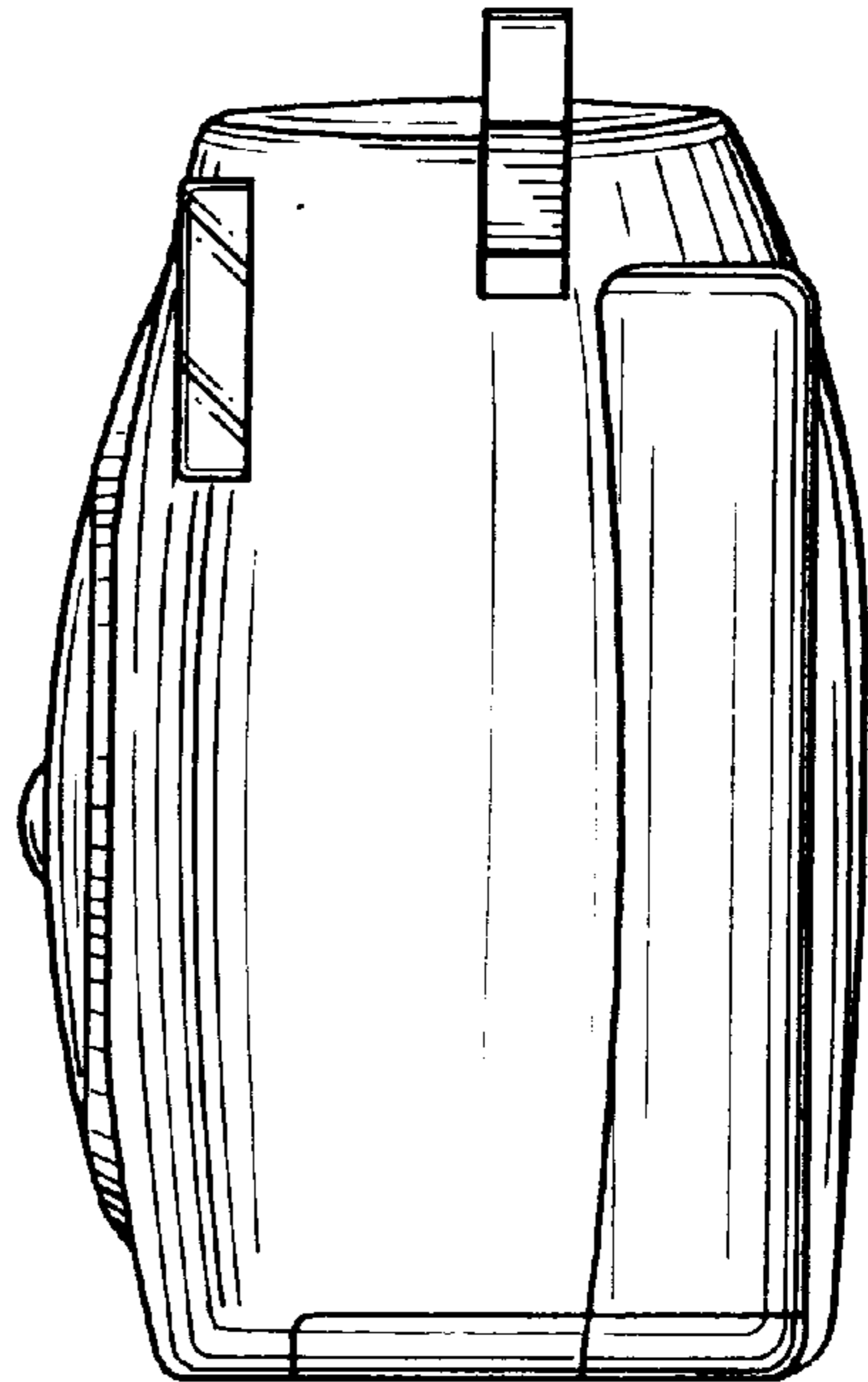


FIG. 7

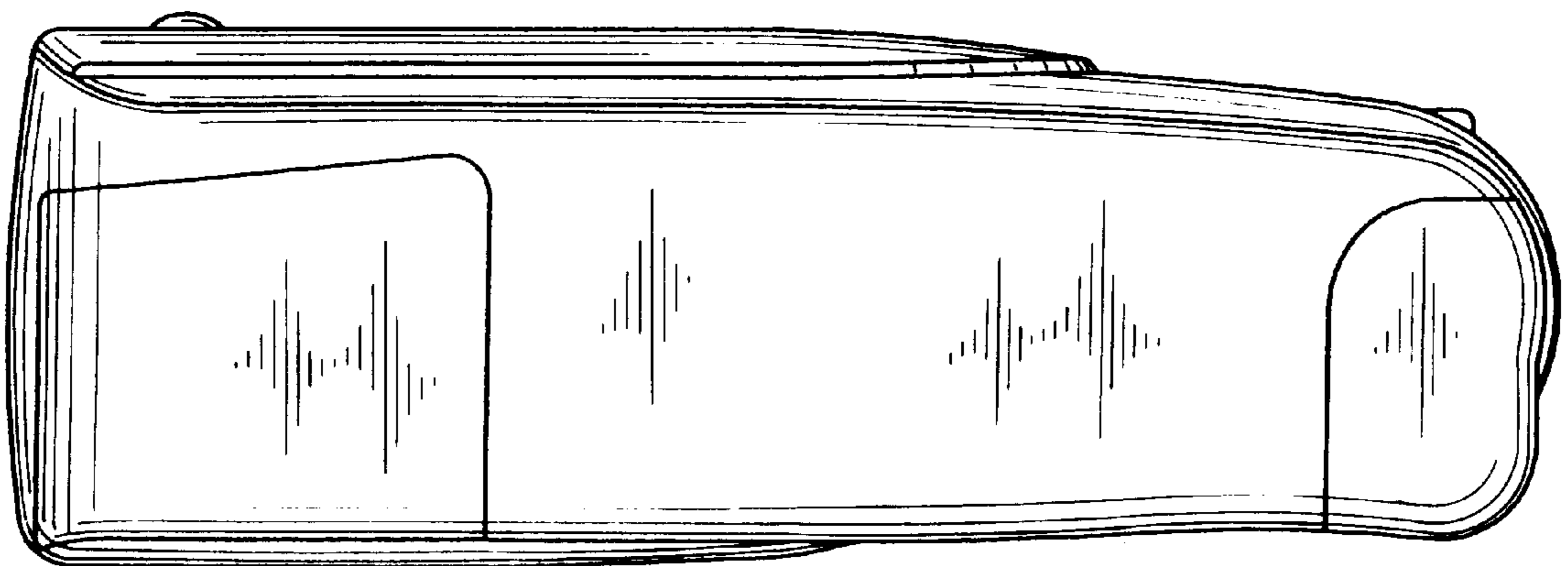


FIG. 8

