



US00D437864S

(12) **United States Design Patent**
Van Cleave et al.

(10) **Patent No.:** **US D437,864 S**
(45) **Date of Patent:** **** Feb. 20, 2001**

(54) **PORTABLE BENDING BRAKE STAND**

FOREIGN PATENT DOCUMENTS

(75) Inventors: **Jeffrey Van Cleave**, Troy; **Eugene G. Eichhorn**, Pinckney, both of MI (US)

403677 6/1966 (CH) .
2504429 10/1982 (FR) .
2 206 069 12/1988 (GB) .

(73) Assignee: **Van Mark Products Corporation**,
Farmington Hills, MI (US)

OTHER PUBLICATIONS

(**) Term: **14 Years**

Cidan Advertisement—Folding Machine Model SB.
JOUANEL Industrie Advertisement, Sep. 1996.

(21) Appl. No.: **29/113,426**

SCHECHTL Advertisement, p. 80.

(22) Filed: **Nov. 4, 1999**

Van Mark Advertisement—Mark IV Industrial Portable
Bending Brake.

(51) **LOC (7) Cl.** **15-09**

Dimos Brochure, Nov. 1991.

(52) **U.S. Cl.** **D15/140**

* cited by examiner

(58) **Field of Search** D15/122, 123,
D15/141; 72/211, 455, 462, 465.1; D6/396,
397, 400; D34/12-14, 17; 108/150; 269/329;
144/286 R, 286 A, 287

Primary Examiner—Antoine Duval Davis

(74) *Attorney, Agent, or Firm*—Brooks & Kushman P.C.

(56) **References Cited**

(57) **CLAIM**

The ornamental design for a portable bending brake stand,
as shown and described.

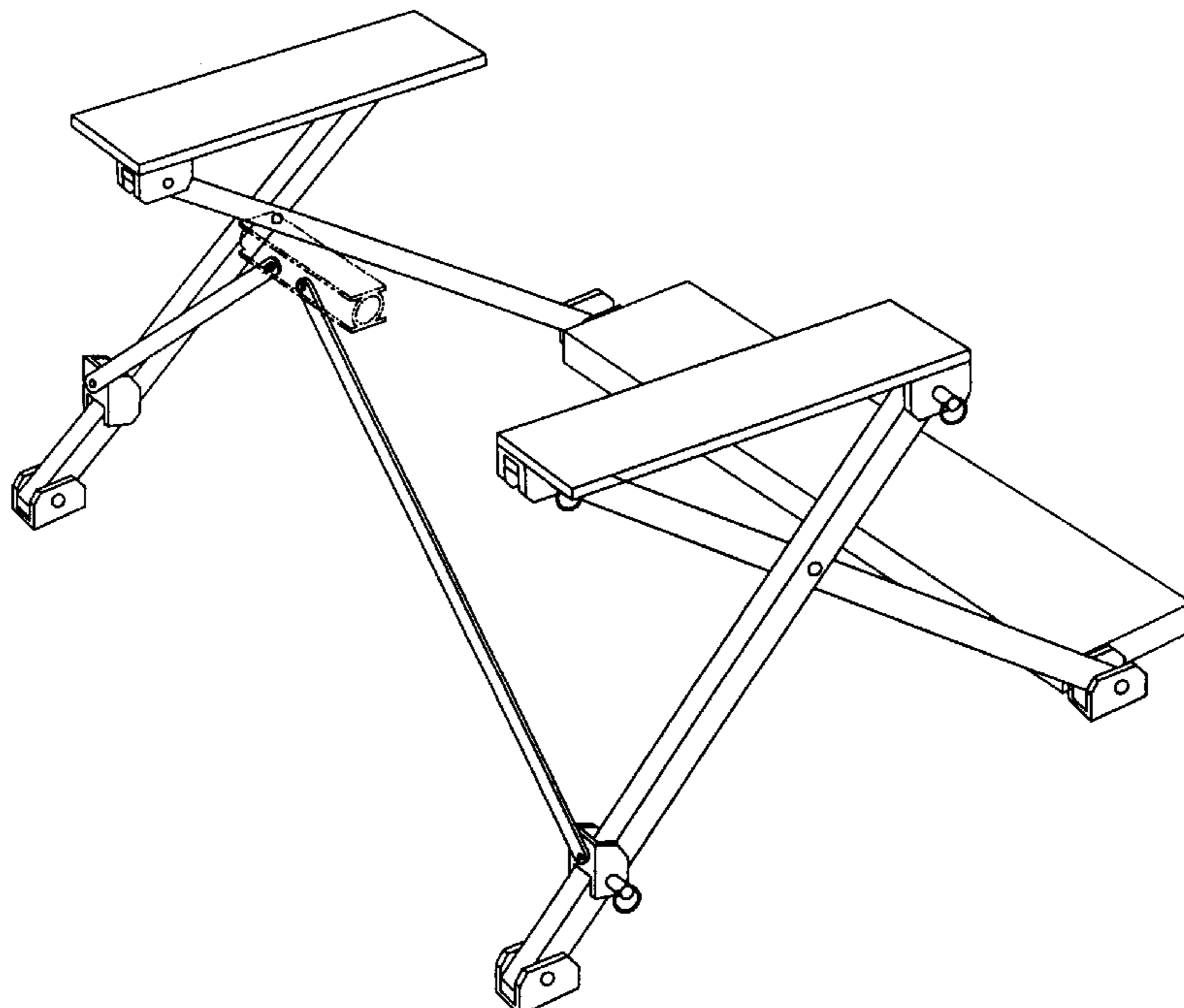
U.S. PATENT DOCUMENTS

DESCRIPTION

131,239	9/1872	Adler et al. .	
D. 252,388 *	7/1979	Fjella-Jensen	D34/12
516,026	3/1894	Seaver .	
934,701	9/1909	Swanson .	
1,147,458	7/1915	Steely .	
2,181,566	11/1939	Jensen .	
2,343,441	3/1944	Babcock et al. .	
2,434,028	1/1948	Wieland .	
3,937,343 *	2/1976	Spulak	D34/12 X
4,223,881	9/1980	Hickman .	
4,713,957	12/1987	Eder et al. .	
5,651,298	7/1997	Break et al. .	
5,743,129	4/1998	Chubb et al. .	
6,070,696	6/2000	Chubb et al. .	

FIG. 1 is a right side elevational view of my new design, the left side being a mirror image thereof;
FIG. 2 is a top plan view of my new design;
FIG. 3 is a rear elevational view of the new design;
FIG. 4 is a front elevational view of the new design;
FIG. 5 is a bottom place view of the new design; and,
FIG. 6 is a perspective view of the new design.
The broken line showing a portable bending brake stand and the other feature shown throughout the drawing in FIG. 1 is for illustrative purposes only and forms no part of the claimed design.

1 Claim, 3 Drawing Sheets



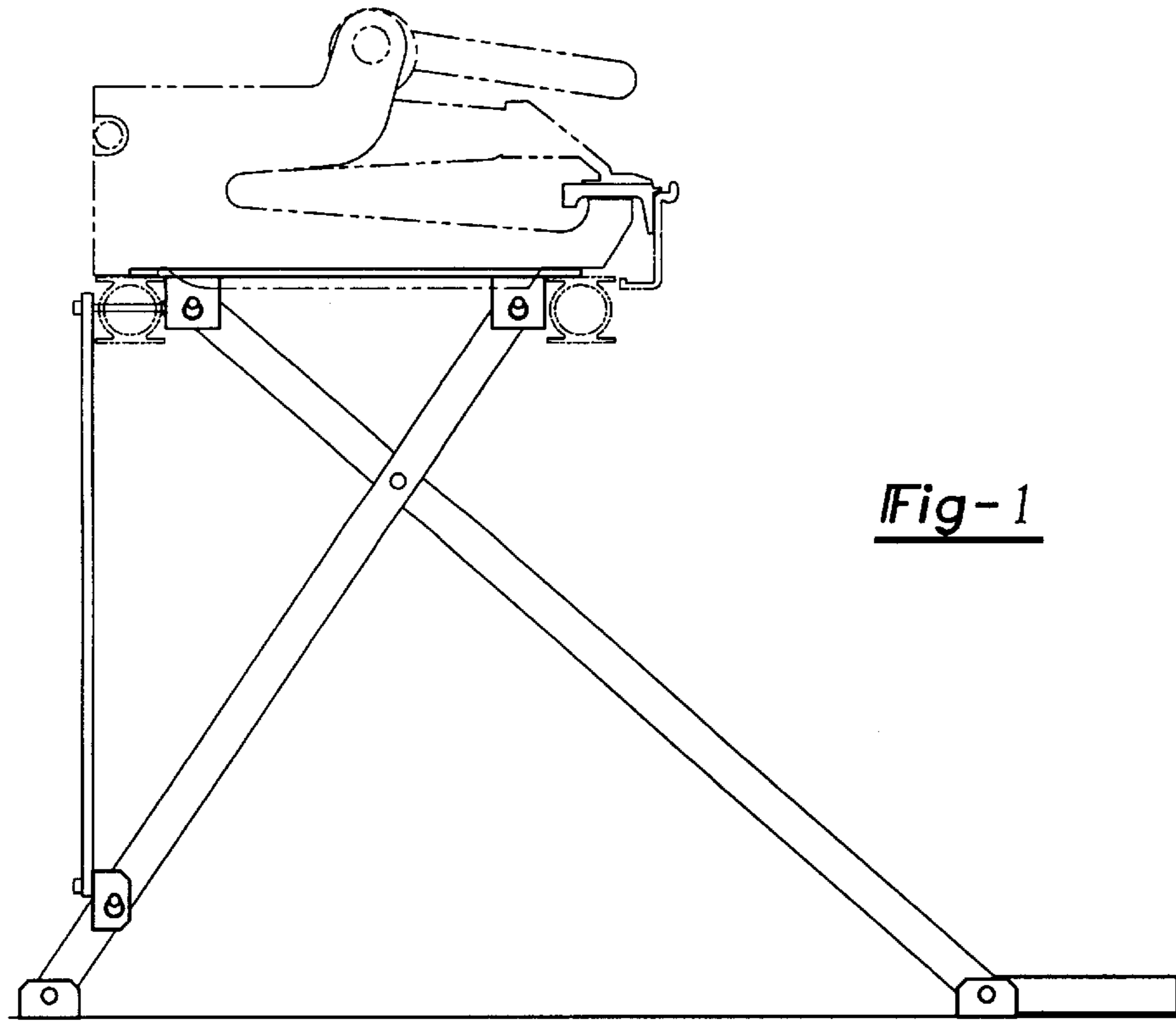


Fig-1

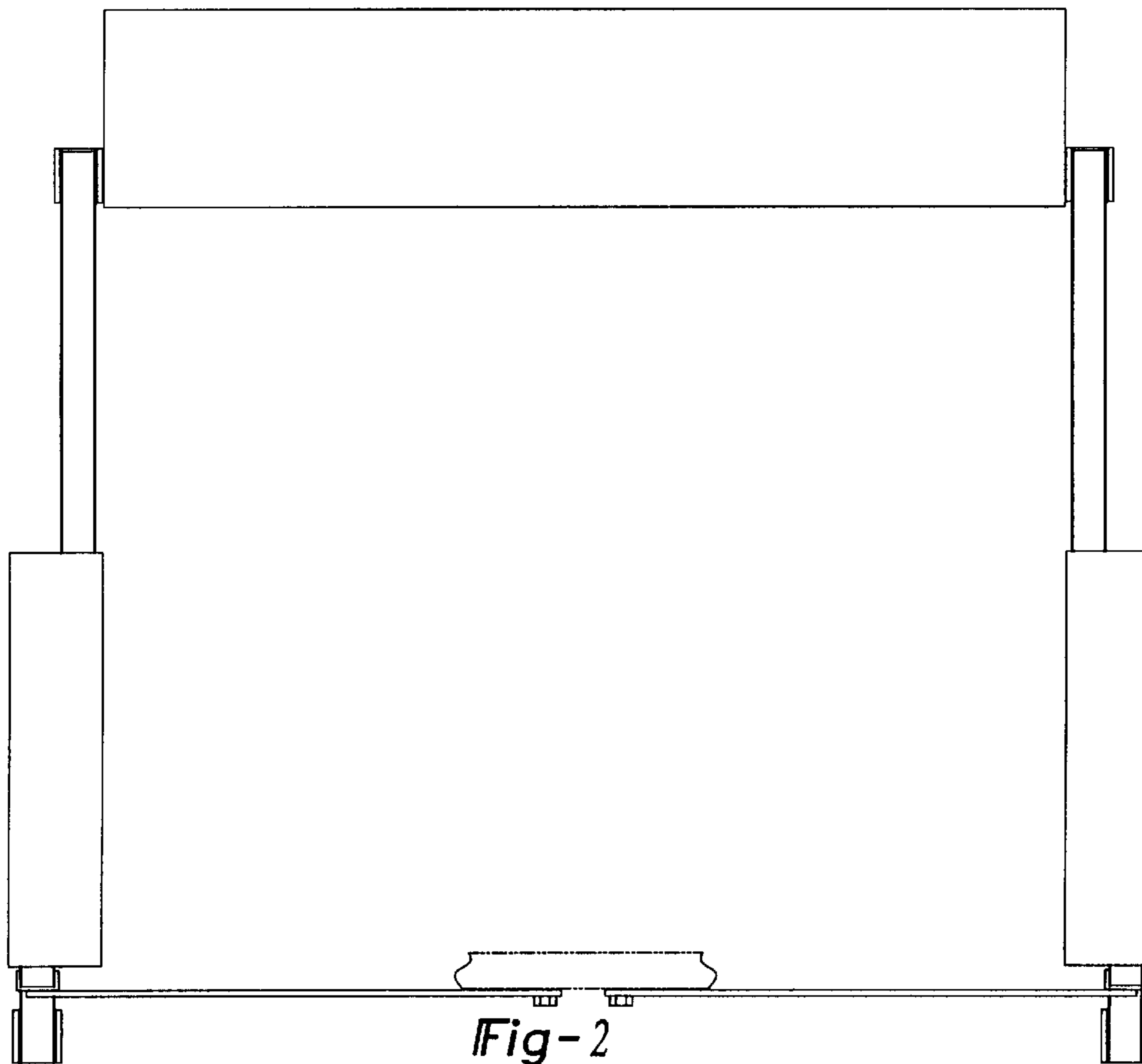


Fig-2

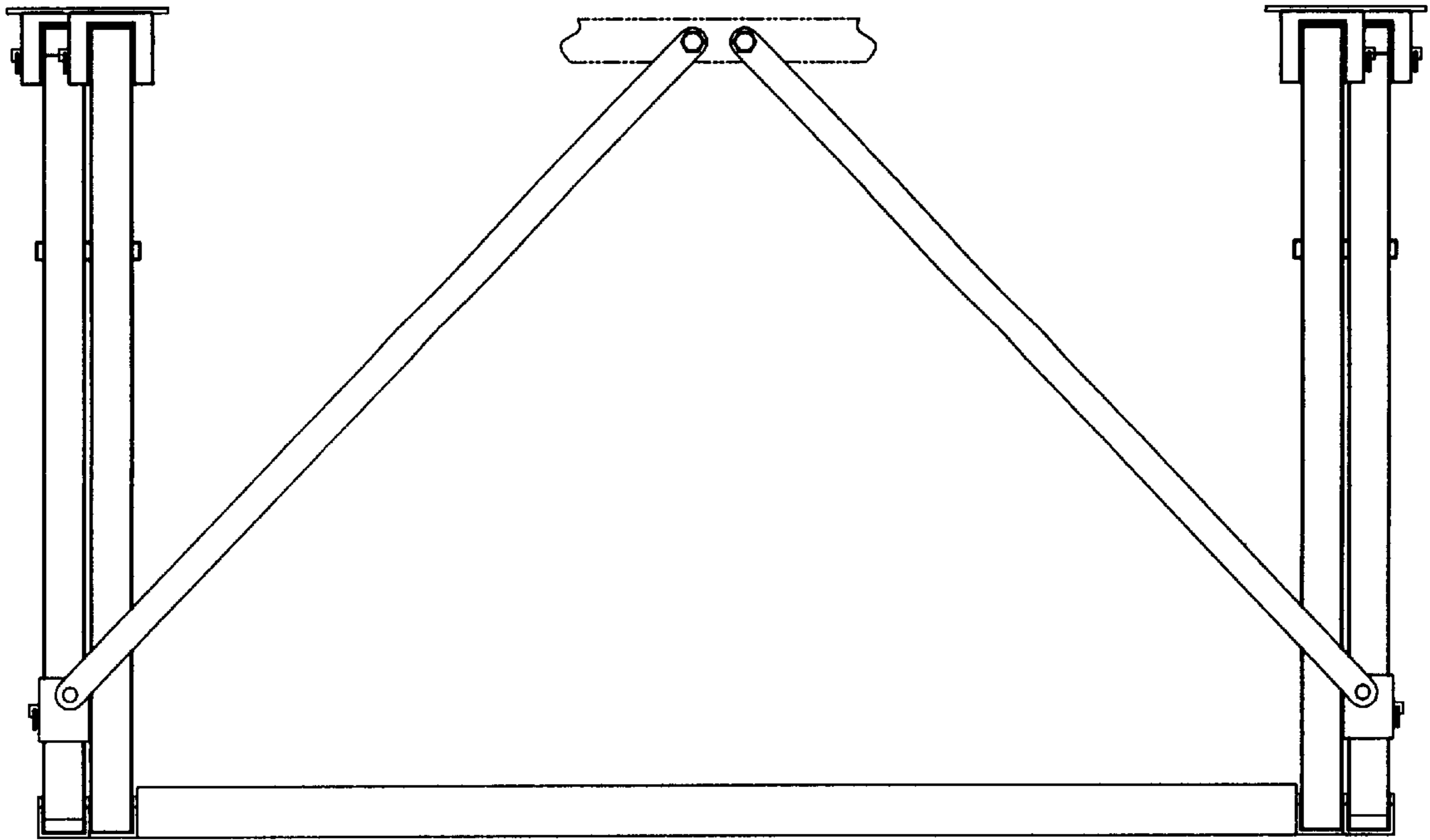


Fig-3

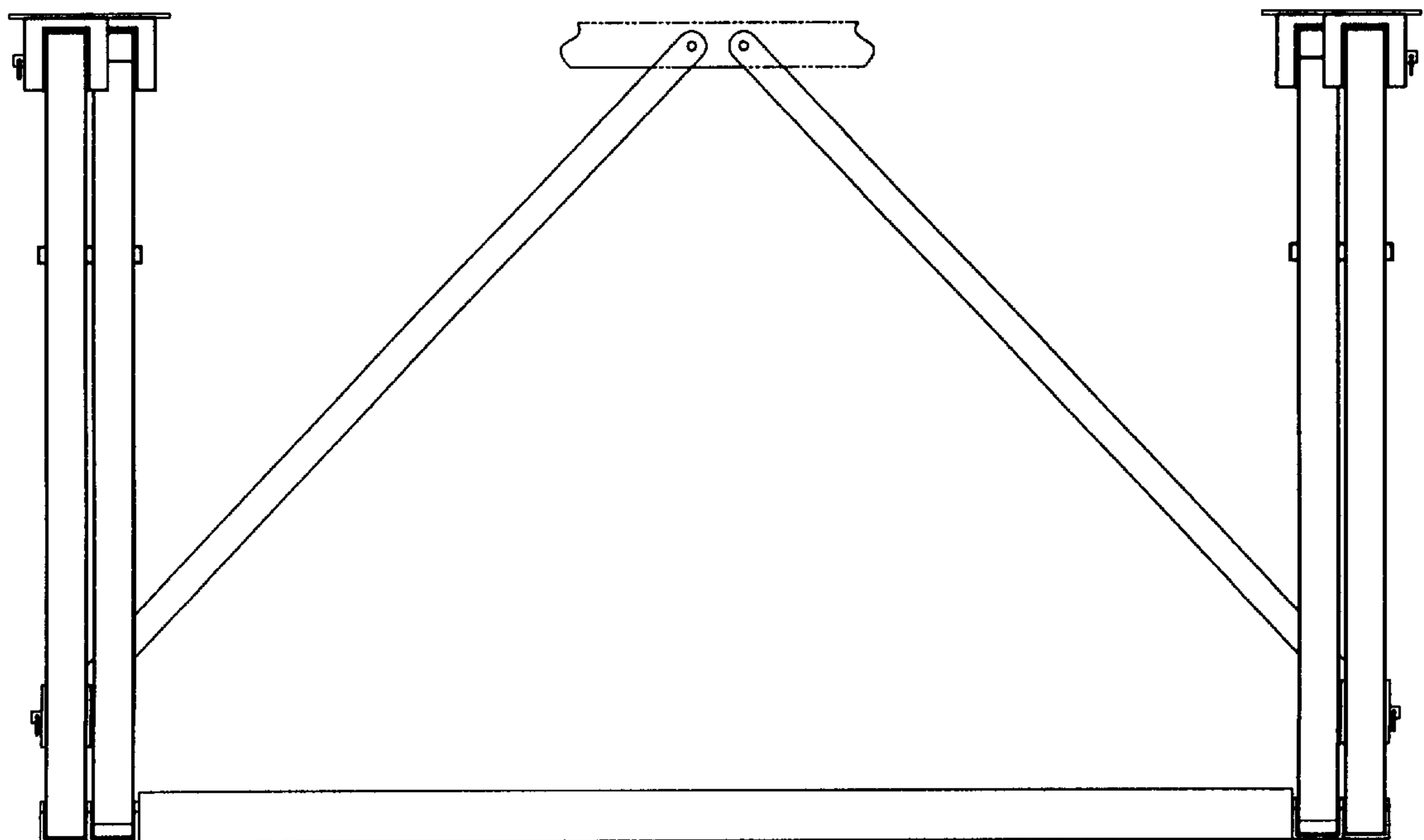


Fig-4

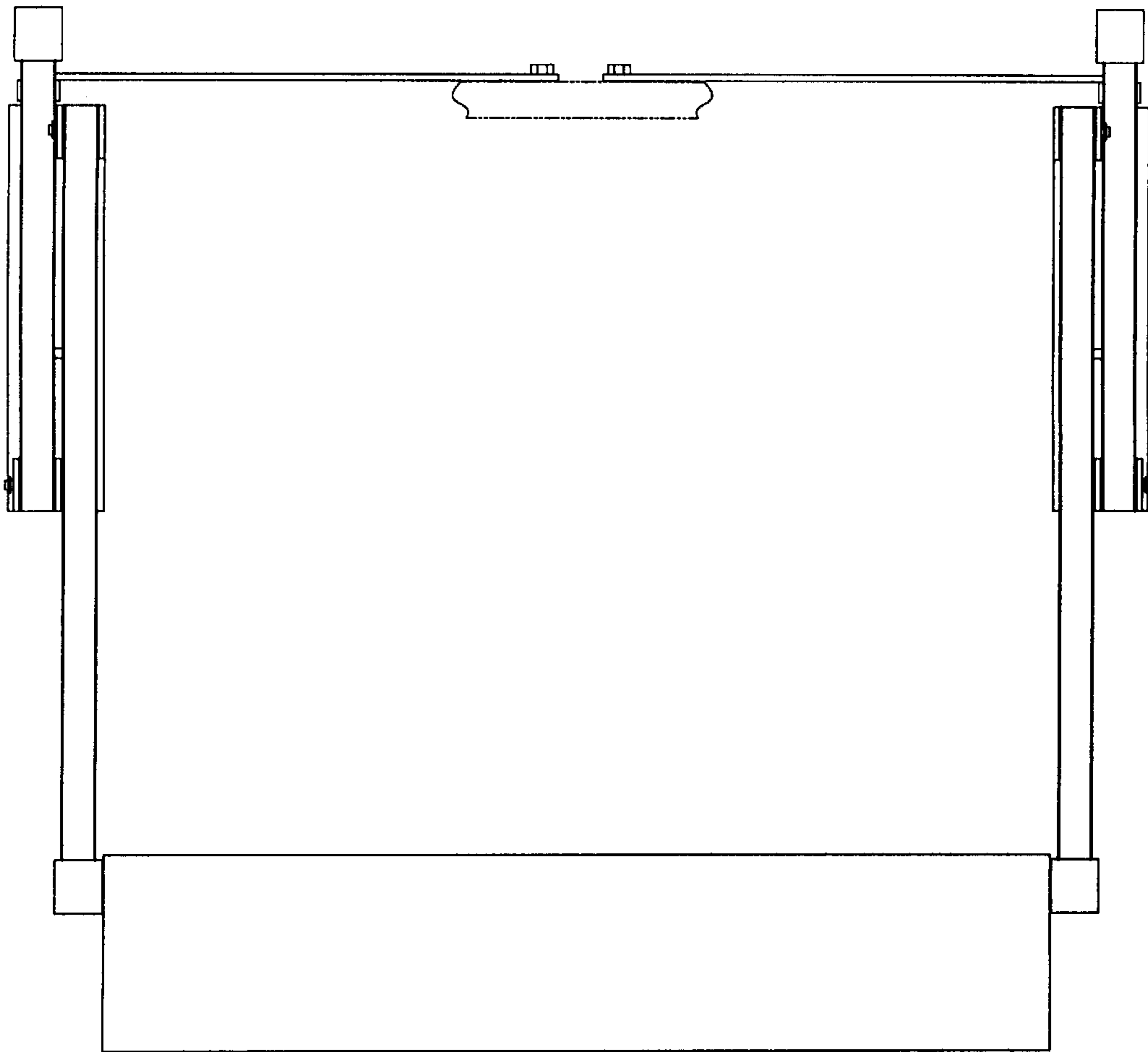


Fig-5

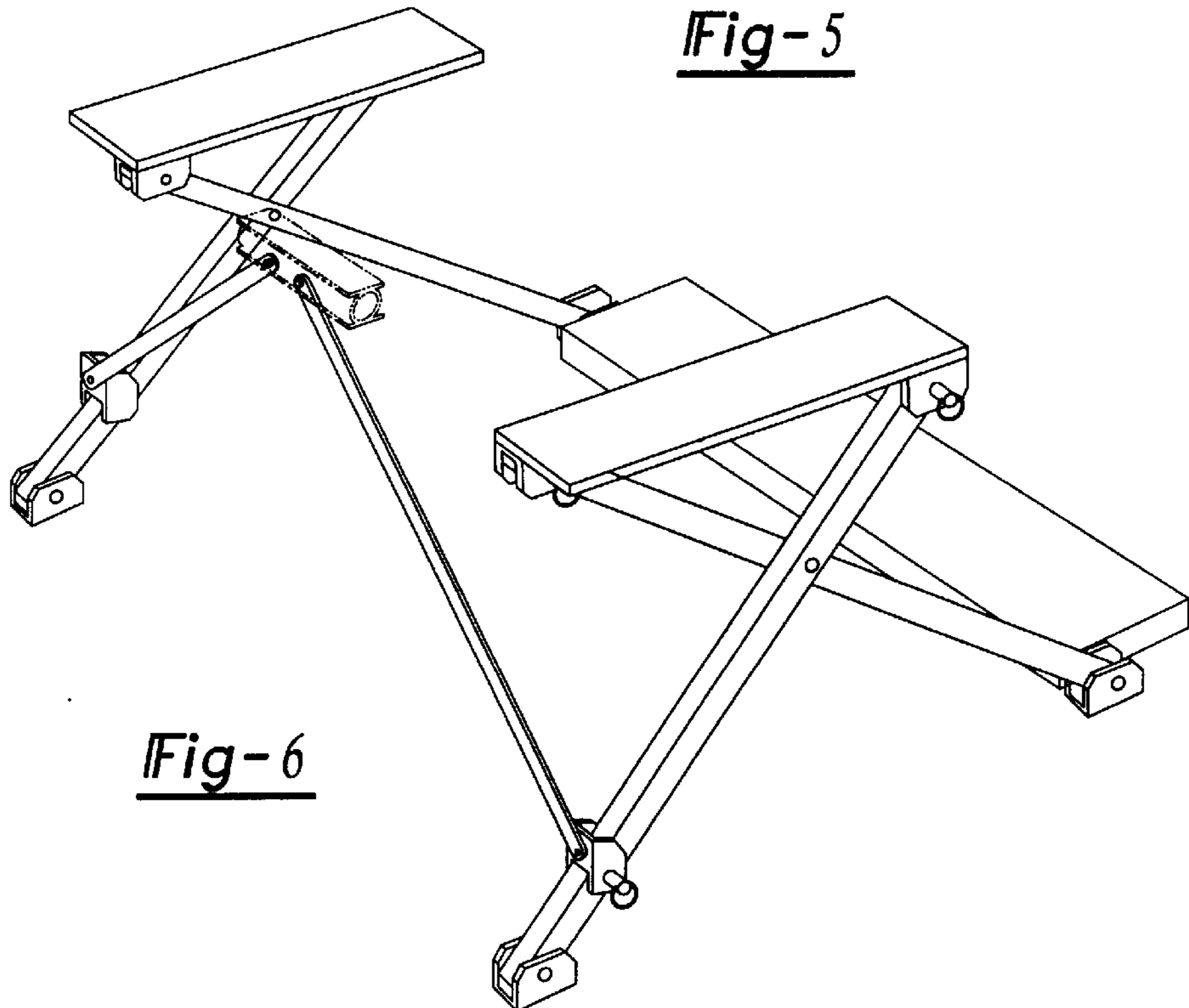


Fig-6