



US00D437863S

(12) **United States Design Patent**
Terenzio

(10) **Patent No.:** **US D437,863 S**

(45) **Date of Patent:** **** Feb. 20, 2001**

(54) **PLASTIC BOTTLE CRUSHER**

5,857,408 * 1/1999 Witter 100/265

(75) Inventor: **Dennis Terenzio**, Mercer Island, WA
(US)

* cited by examiner

Primary Examiner—Antoine Duval Davis

(73) Assignee: **Progressive International Corp.**, Kent,
WA (US)

(74) *Attorney, Agent, or Firm*—John R. Benefiel

(**) Term: **14 Years**

(57) **CLAIM**

The ornamental design for a plastic bottle crusher, as shown and described.

(21) Appl. No.: **29/116,753**

DESCRIPTION

(22) Filed: **Jan. 10, 2000**

FIG. 1 is a perspective view of the top and base components of the plastic bottle crusher according to the present invention.

(51) **LOC (7) Cl.** **15-09**

(52) **U.S. Cl.** **D15/123**

(58) **Field of Search** D15/123; 100/90,
100/110, 214, 264–266, 295, 902

FIG. 2 is a top view of the top and base components of the plastic bottle crusher shown in FIG. 1.

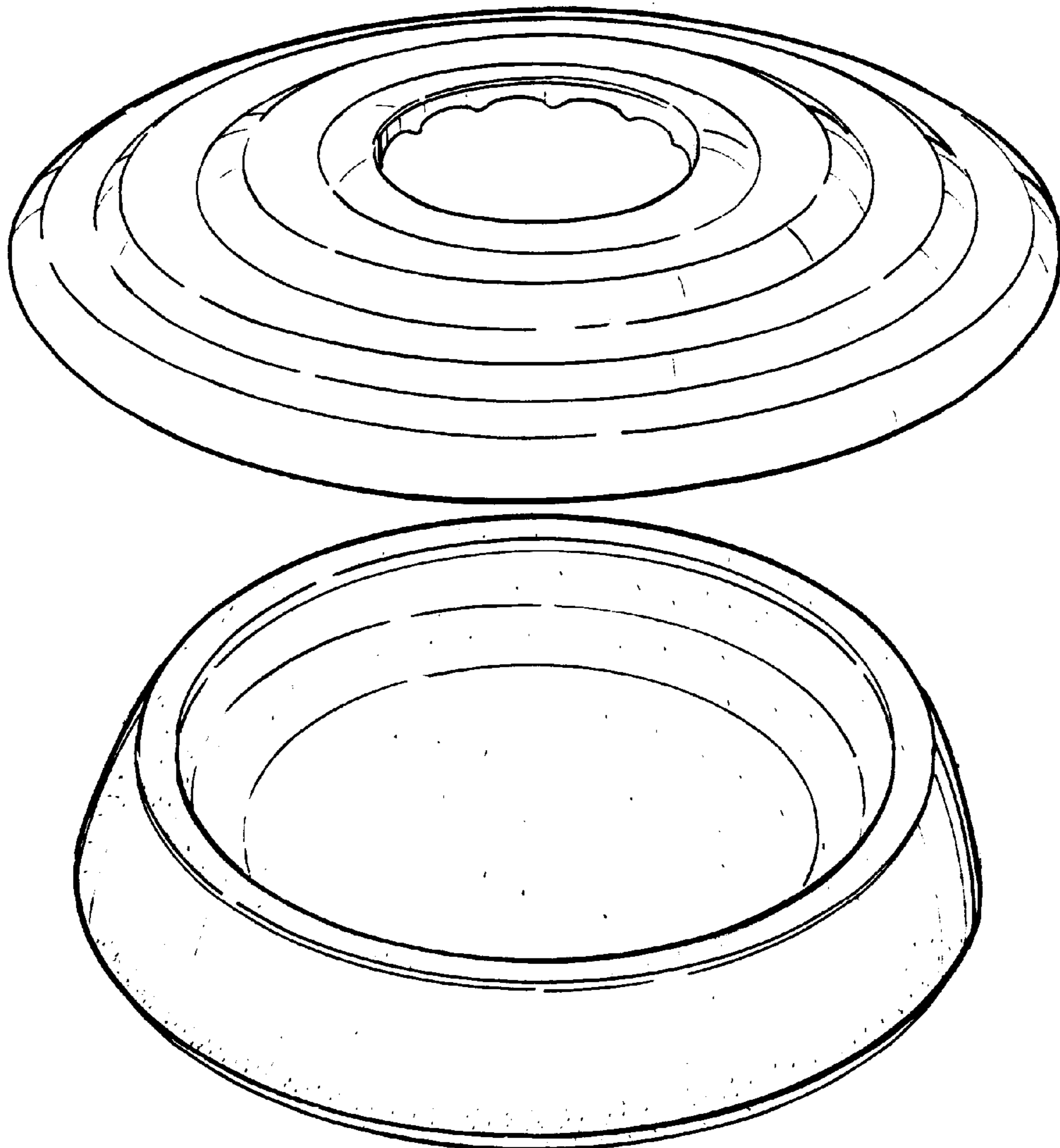
FIG. 3 is an elevational view of the top and base components of the plastic bottle crusher shown in FIGS. 1 and 2; and, FIG. 4 is a bottom view of the top and base components of the plastic bottle crusher shown in FIGS. 1–3.

(56) **References Cited**

U.S. PATENT DOCUMENTS

1,443,255 * 1/1923 Gilbert 100/110

1 Claim, 2 Drawing Sheets



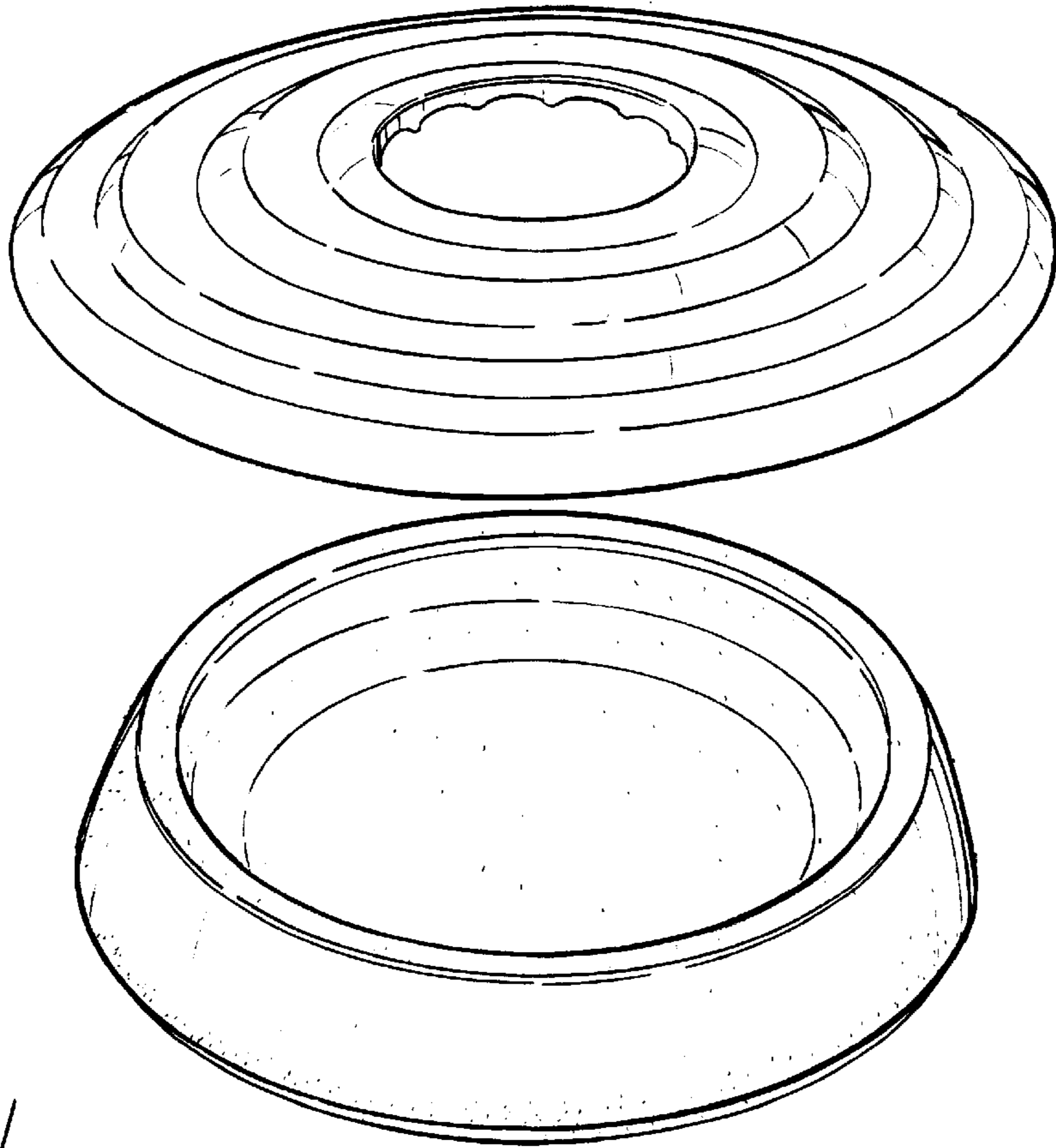


FIG - 1

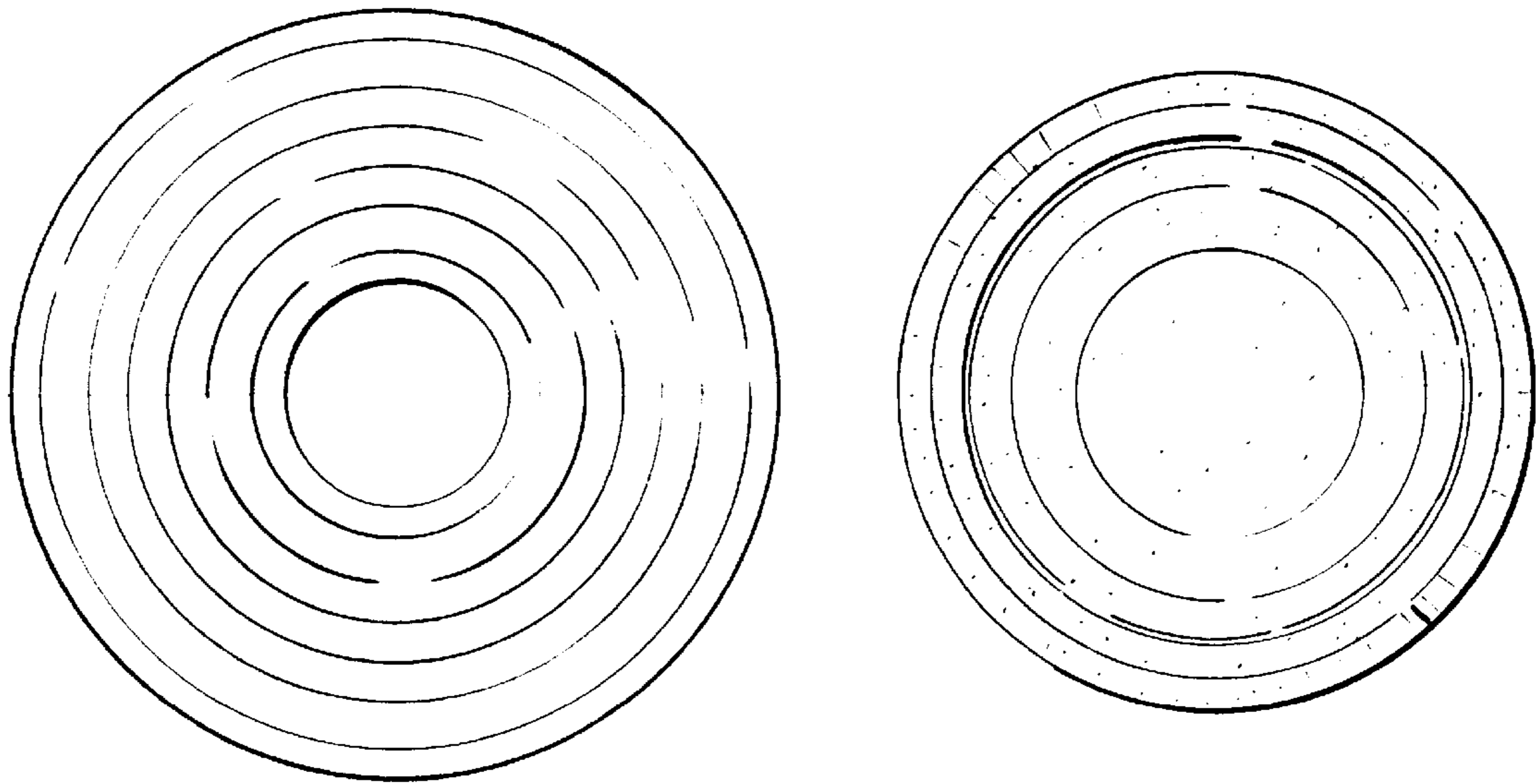


FIG - 2

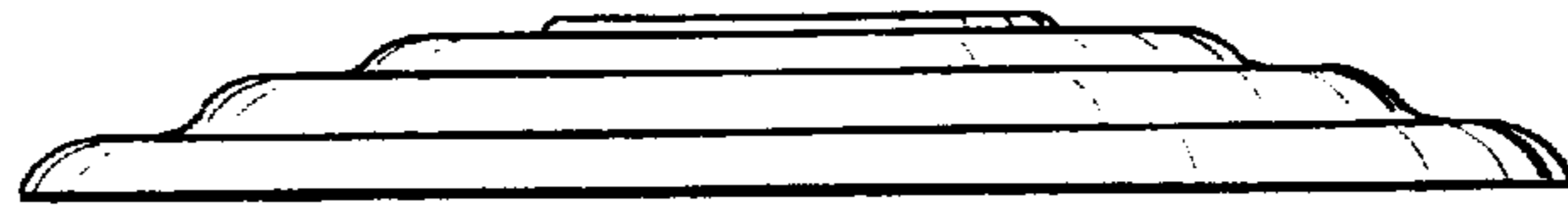


FIG - 3

FIG - 4

