



US00D437861S

(12) **United States Design Patent**  
**Leden**

(10) **Patent No.:** **US D437,861 S**

(45) **Date of Patent:** **\*\* Feb. 20, 2001**

(54) **COLLECTION CONTAINER**

FOREIGN PATENT DOCUMENTS

(75) Inventor: **Nathan M. Leden**, Cary, NC (US)

WO 93/12641 7/1993 (WO) .

(73) Assignee: **Deere & Company**, Moline, IL (US)

OTHER PUBLICATIONS

(\*\*) Term: **14 Years**

John Deere Parts Catalog—2500 Greensmower, cover and pages A2 and I14–I15, published Jan. 21, 1999 in U.S.A.

(21) Appl. No.: **29/113,596**

\* cited by examiner

(22) Filed: **Nov. 5, 1999**

*Primary Examiner*—B. J. Bullock

(51) **LOC (7) Cl.** ..... **15-03**

(57) **CLAIM**

(52) **U.S. Cl.** ..... **D15/17**

The ornamental design for a collection container, as shown and described.

(58) **Field of Search** ..... D15/10, 14–18,  
D15/27, 28; 56/12.2, 16.6, 201, 202, 194,  
320.2, 6, 15.6, DIG. 9

**DESCRIPTION**

(56) **References Cited**

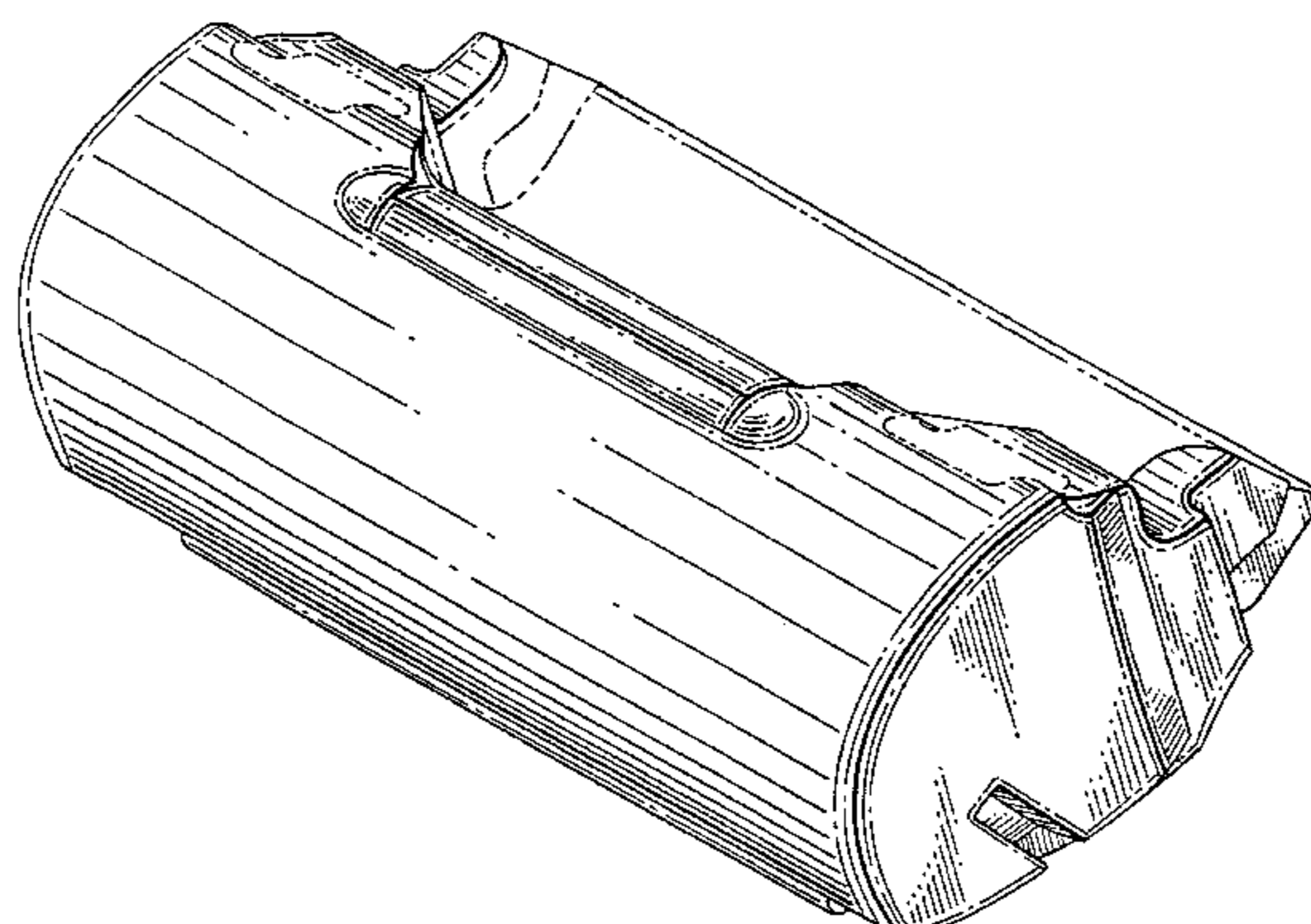
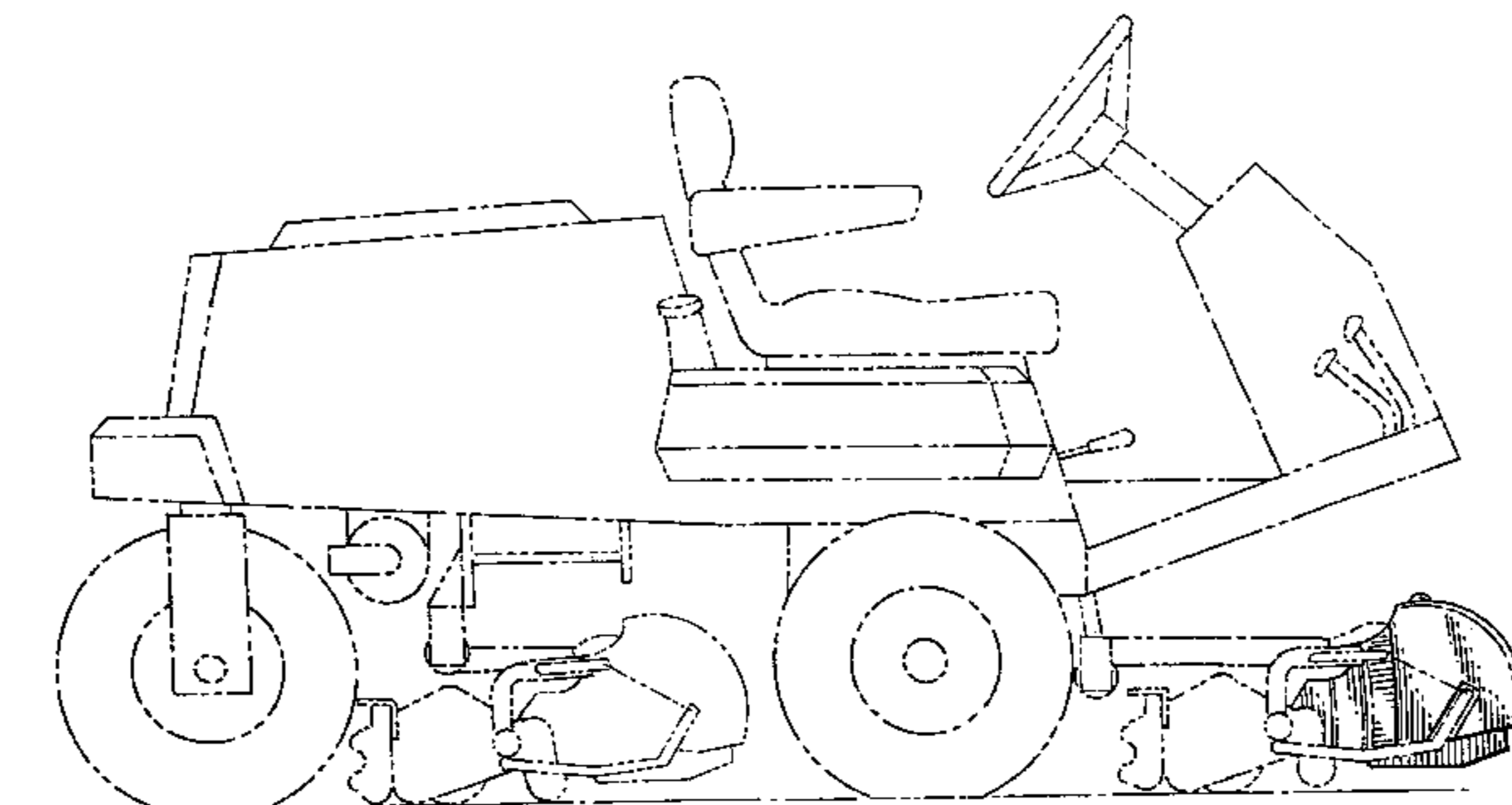
FIG. 1 is a right side elevational view of a collection container showing our new design;  
FIG. 2 is an enlarged front, top perspective view of the collection container design of FIG. 1;  
FIG. 3 is a left side elevational view thereof;  
FIG. 4 is a right side elevational view thereof;  
FIG. 5 is a top plan view thereof;  
FIG. 6 is a front view thereof;  
FIG. 7 is a rear view thereof; and,  
FIG. 8 is a bottom view thereof.

**U.S. PATENT DOCUMENTS**

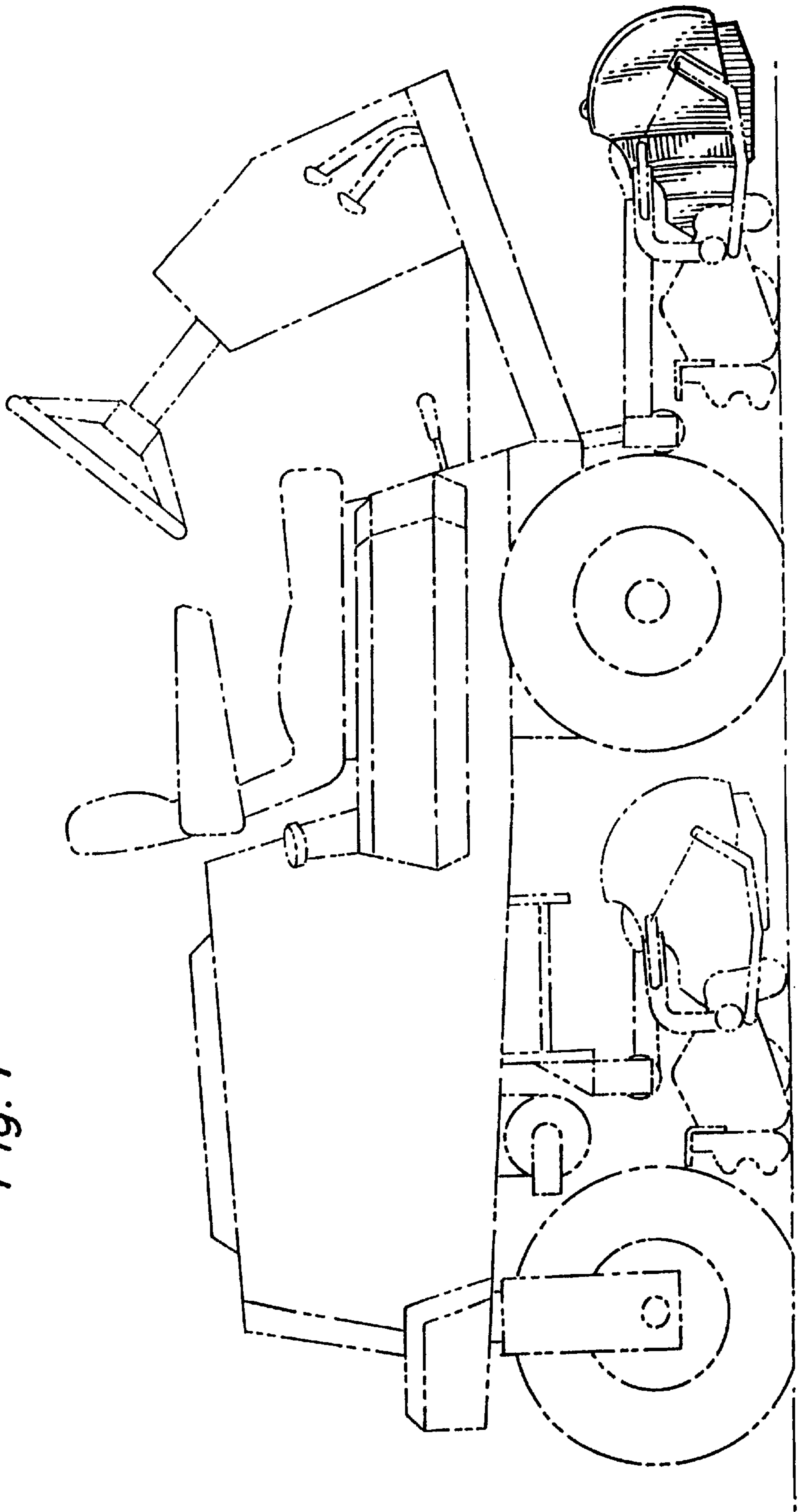
Re. 34,921	5/1995	Lamusga et al. ....	56/7
D. 381,480 *	7/1997	Linville et al. ....	D15/17
2,903,837 *	9/1959	Titzer .	
3,514,926	6/1970	Heth et al. ....	56/7
4,747,258	5/1988	Martinez ....	56/199
4,924,663 *	5/1990	Ehn, Jr. et al. ....	56/202
4,924,664 *	5/1990	Hicks et al. ....	56/202
5,228,277	7/1993	Smith et al. ....	56/16.9
5,343,680	9/1994	Reichen et al. ....	56/249
5,412,931	5/1995	Reichen et al. ....	56/199
5,459,984	10/1995	Reichen et al. ....	56/7
5,533,356	7/1996	Goman et al. ....	56/7
5,628,169	5/1997	Stiller et al. ....	56/7
5,778,648 *	7/1998	Parkes et al. ....	56/202

The broken lines immediately adjacent the shaded surfaces represents the bounds of the claim and all other broken lines are for illustrative purposes only. None of the broken lines form a part of the claimed design.

**1 Claim, 5 Drawing Sheets**



*Fig. 1*



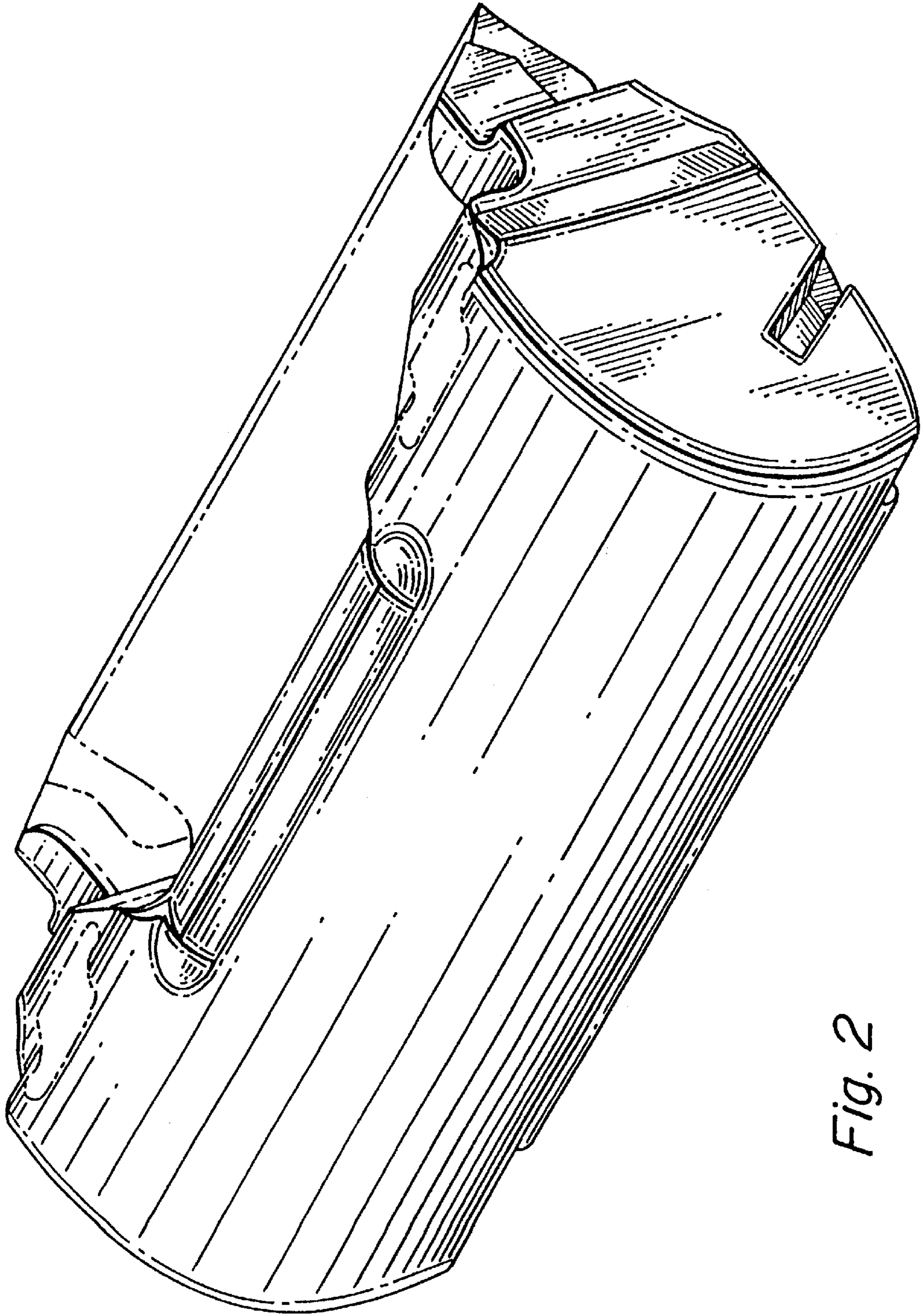
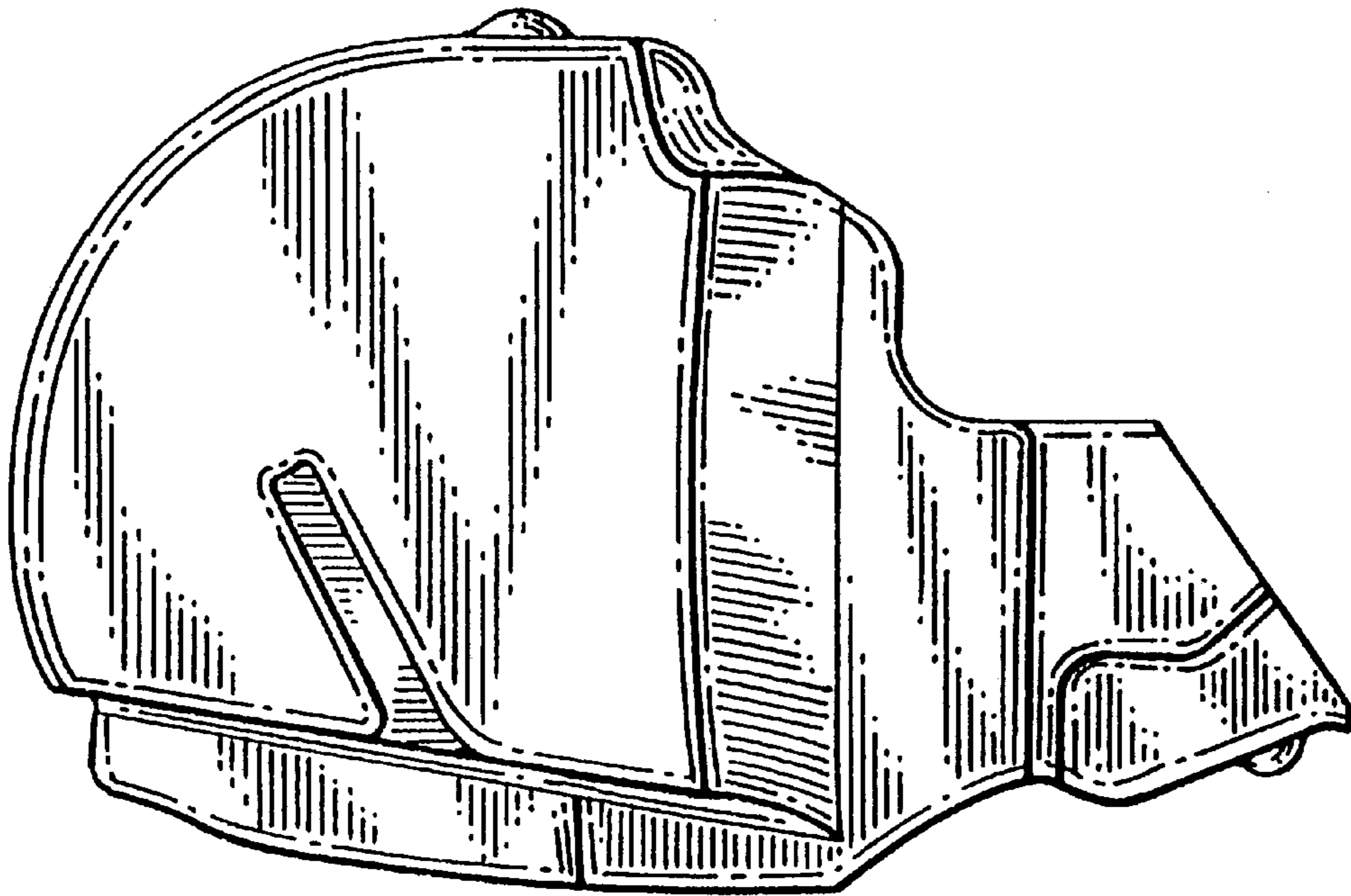
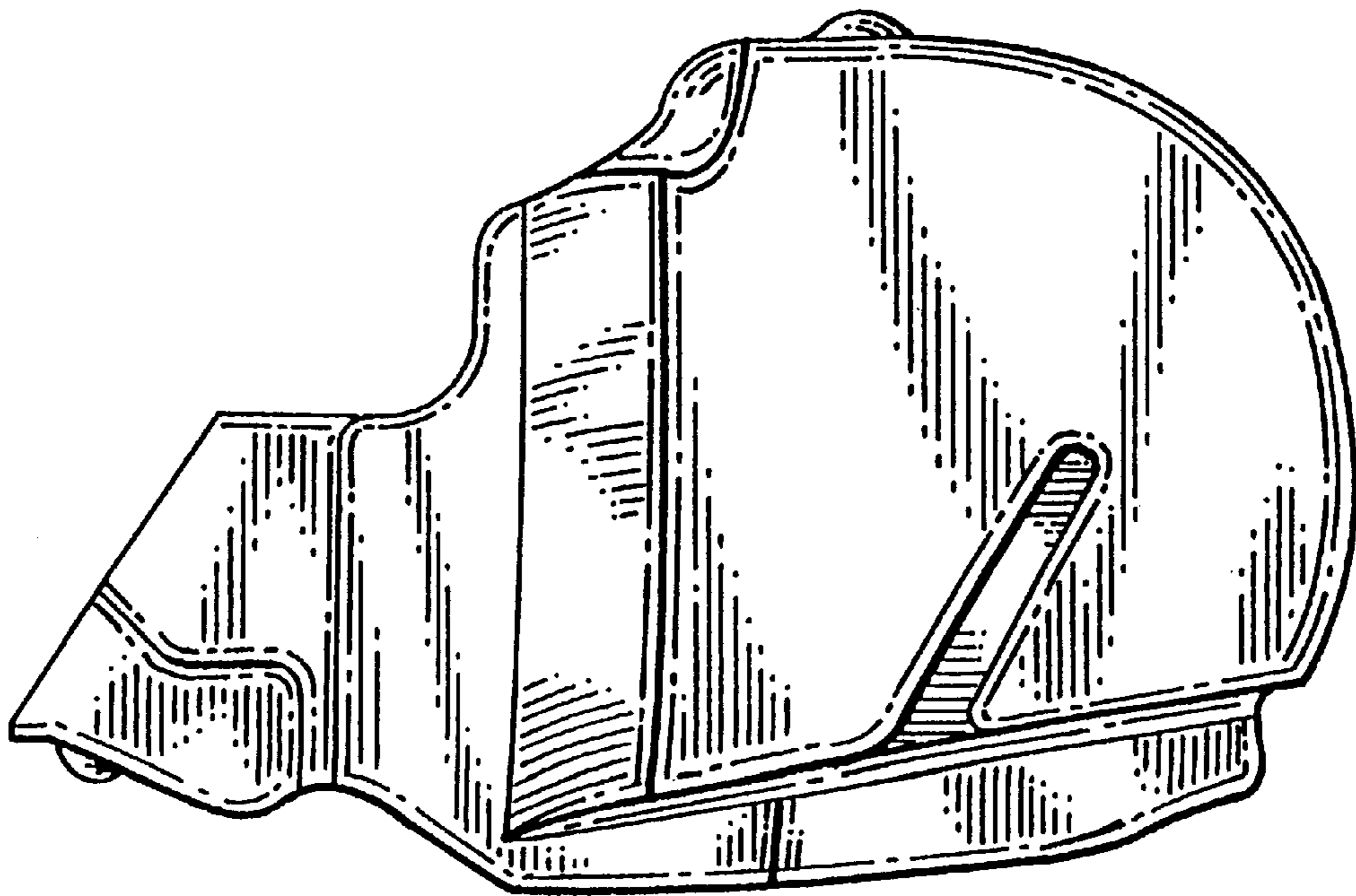


Fig. 2

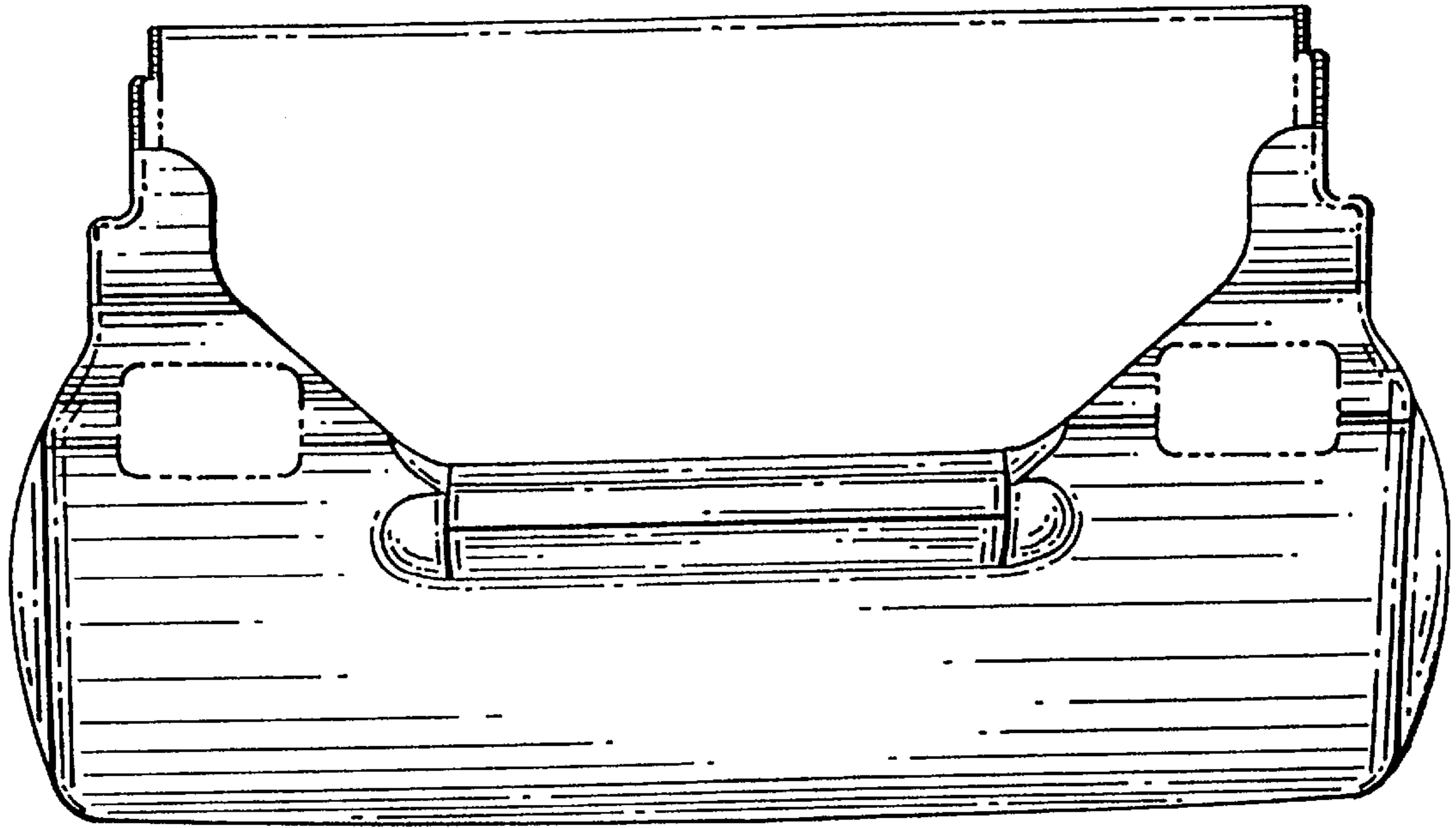




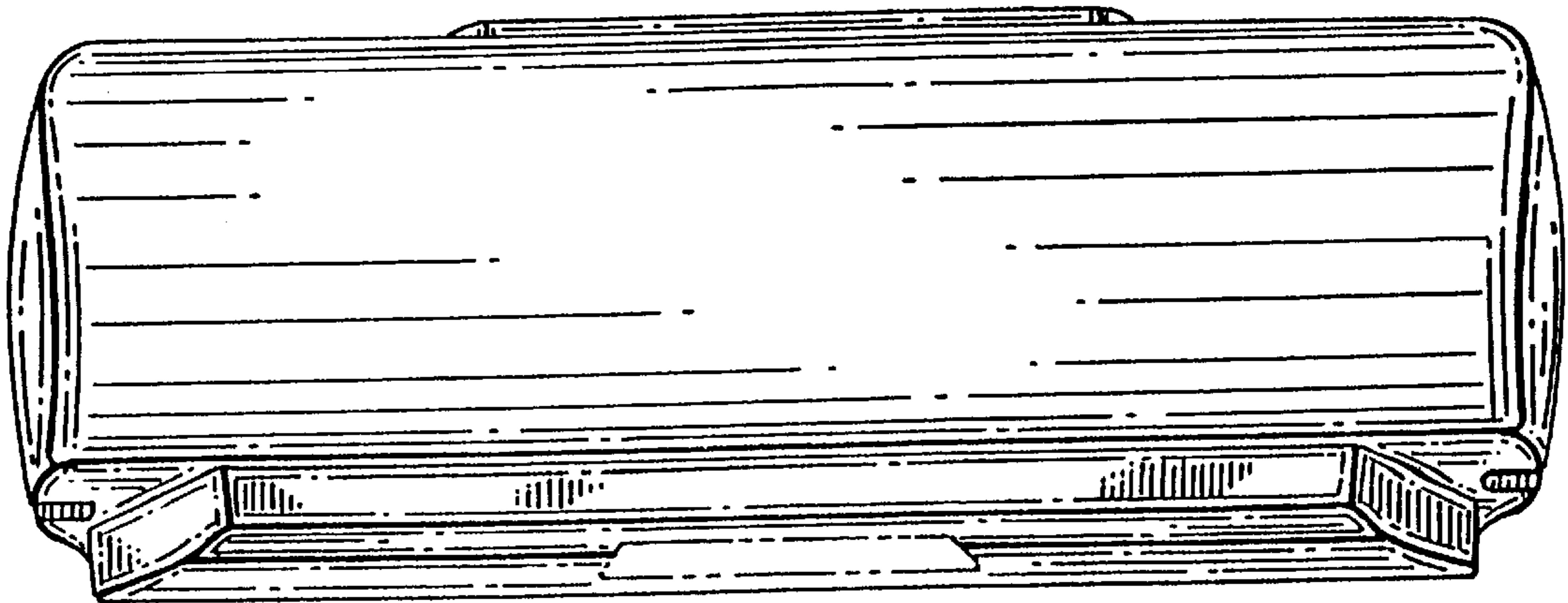
*Fig. 3*



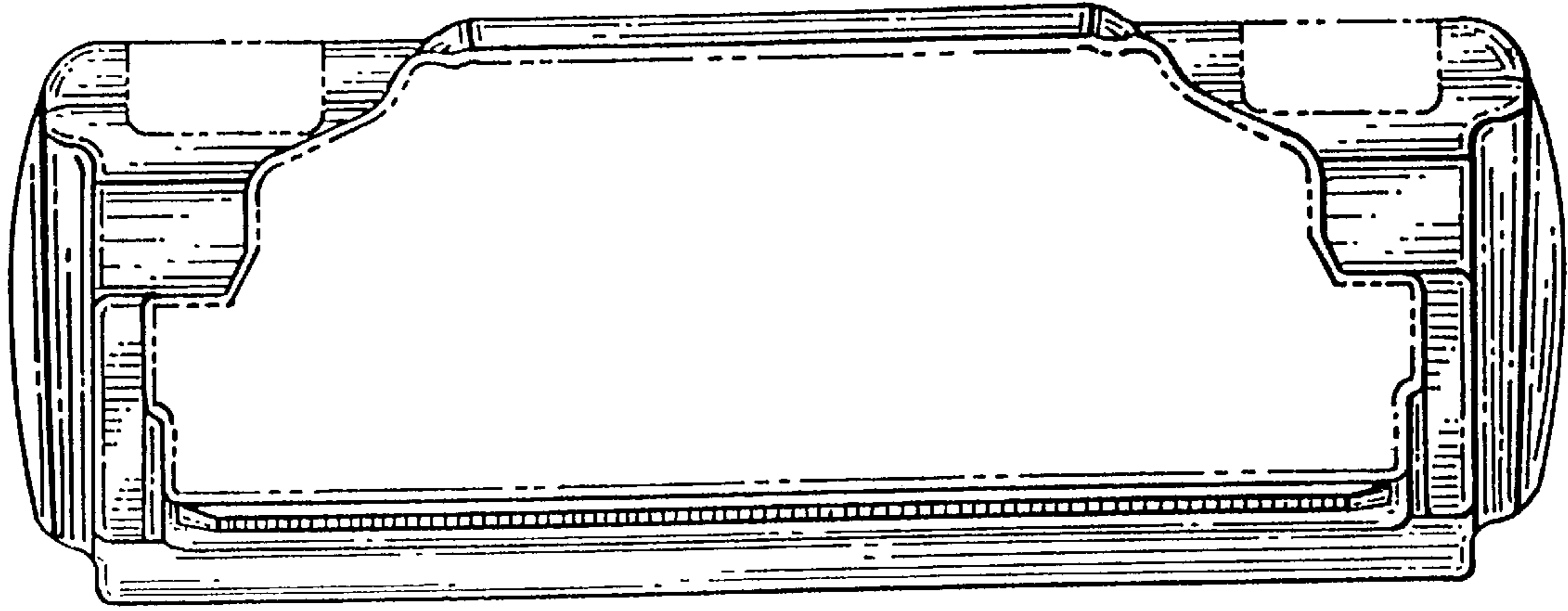
*Fig. 4*



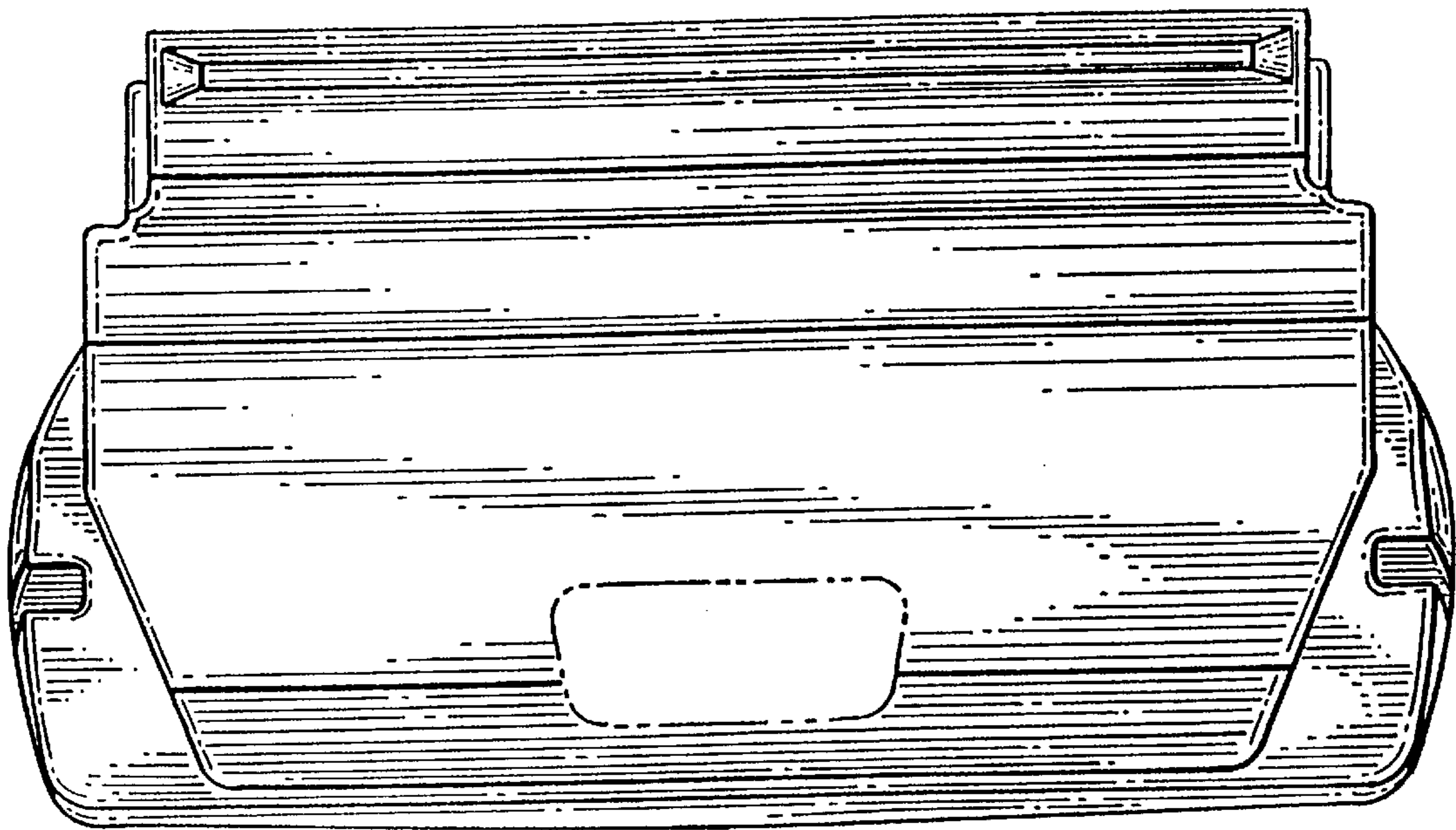
*Fig. 5*



*Fig. 6*



*Fig. 7*



*Fig. 8*