



US00D437860S

(12) **United States Design Patent**  
**Suzuki et al.**

(10) **Patent No.:** **US D437,860 S**  
(45) **Date of Patent:** **\*\* Feb. 20, 2001**

(54) **SELECTOR FOR AUDIO VISUAL APPARATUS**

(75) Inventors: **Satoshi Suzuki; Hisanori Narita**, both of Tokyo (JP)

(73) Assignee: **Sony Corporation (JP)**

(\*\*) Term: **14 Years**

(21) Appl. No.: **29/088,822**

(22) Filed: **Jun. 1, 1998**

(51) **LOC (7) Cl.** ..... **14-02**

(52) **U.S. Cl.** ..... **D14/496**

(58) **Field of Search** ..... D14/124, 125, D14/217, 158, 160, 299, 496; 340/825.25, 825, 825.22, 825.23; 273/148 B; 463/1, 46, 47, 48, 43; 381/73.1

(56) **References Cited**

**U.S. PATENT DOCUMENTS**

- D. 284,280 \* 6/1986 Mack, Jr. et al. .... D14/124
- D. 297,007 \* 8/1988 Pushelberg ..... D14/124
- D. 370,481 \* 6/1996 Brooks ..... D14/124
- D. 381,647 \* 7/1997 Terng ..... D14/124
- D. 399,840 \* 10/1998 Curbbun et al. .... D14/124

- 2,551,522 \* 5/1951 Andres ..... 340/825.25
- 2,759,169 \* 8/1956 Nelson ..... 340/825.25
- 2,829,196 \* 4/1958 Claffey ..... 340/825.25
- 5,441,414 \* 8/1995 Chretien ..... D14/124 X

**OTHER PUBLICATIONS**

Catalog "87", pp. 70, 73 & 215, Sony (Nov. 1997).

\* cited by examiner

*Primary Examiner*—Prabhakar Deshmukh

(74) *Attorney, Agent, or Firm*—Rader, Fishman & Grauer

(57) **CLAIM**

The ornamental design for a selector for audio visual apparatus, as shown and described.

**DESCRIPTION**

FIG. 1 is a perspective view of a selector for audio visual apparatus showing our new design;  
 FIG. 2 is a top plan view thereof;  
 FIG. 3 is a left side elevational view thereof;  
 FIG. 4 is a front elevational view thereof;  
 FIG. 5 is a bottom plan view thereof;  
 FIG. 6 is a right side elevational view thereof; and,  
 FIG. 7 is a rear elevational view thereof.

**1 Claim, 3 Drawing Sheets**

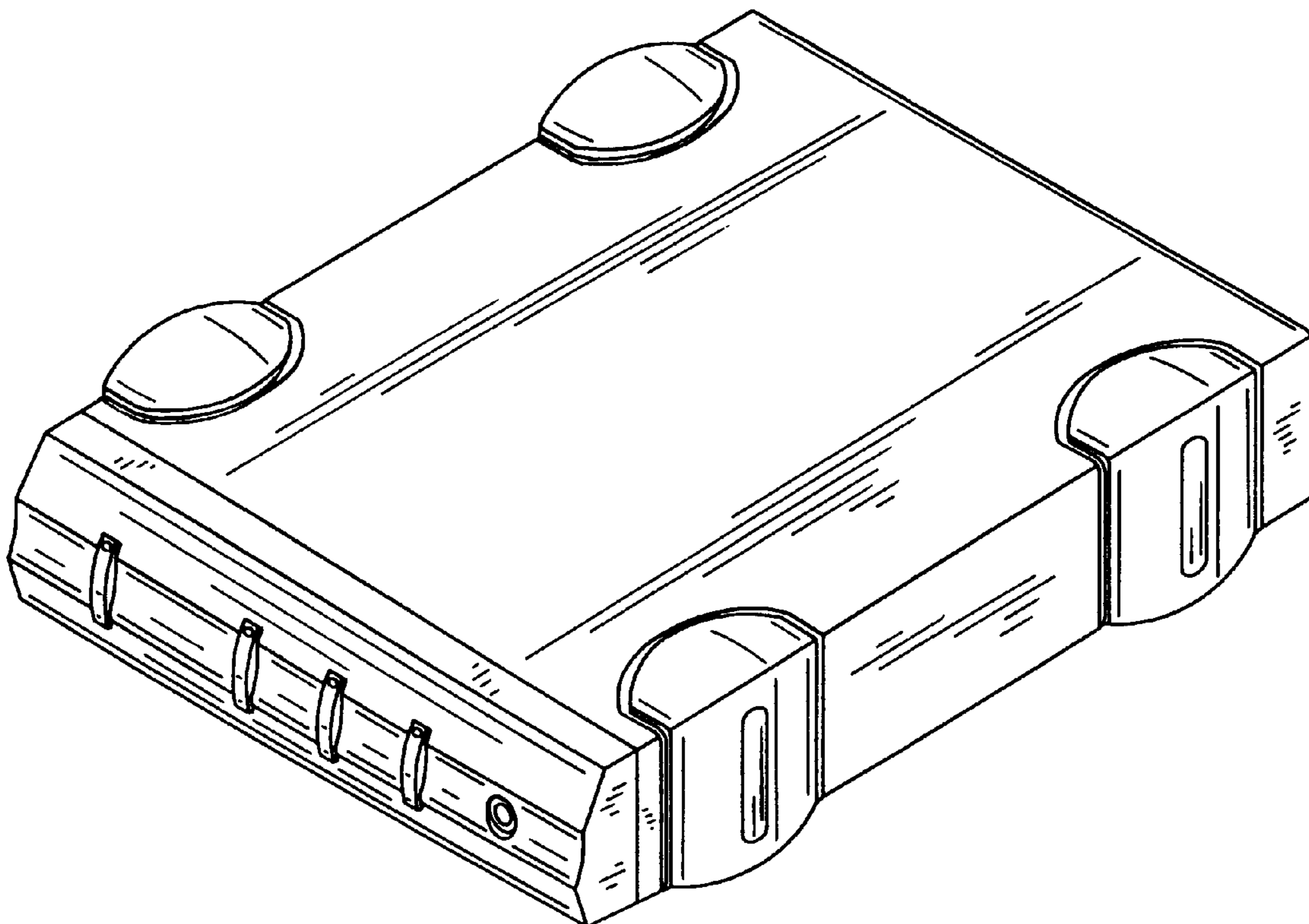


FIG. 1

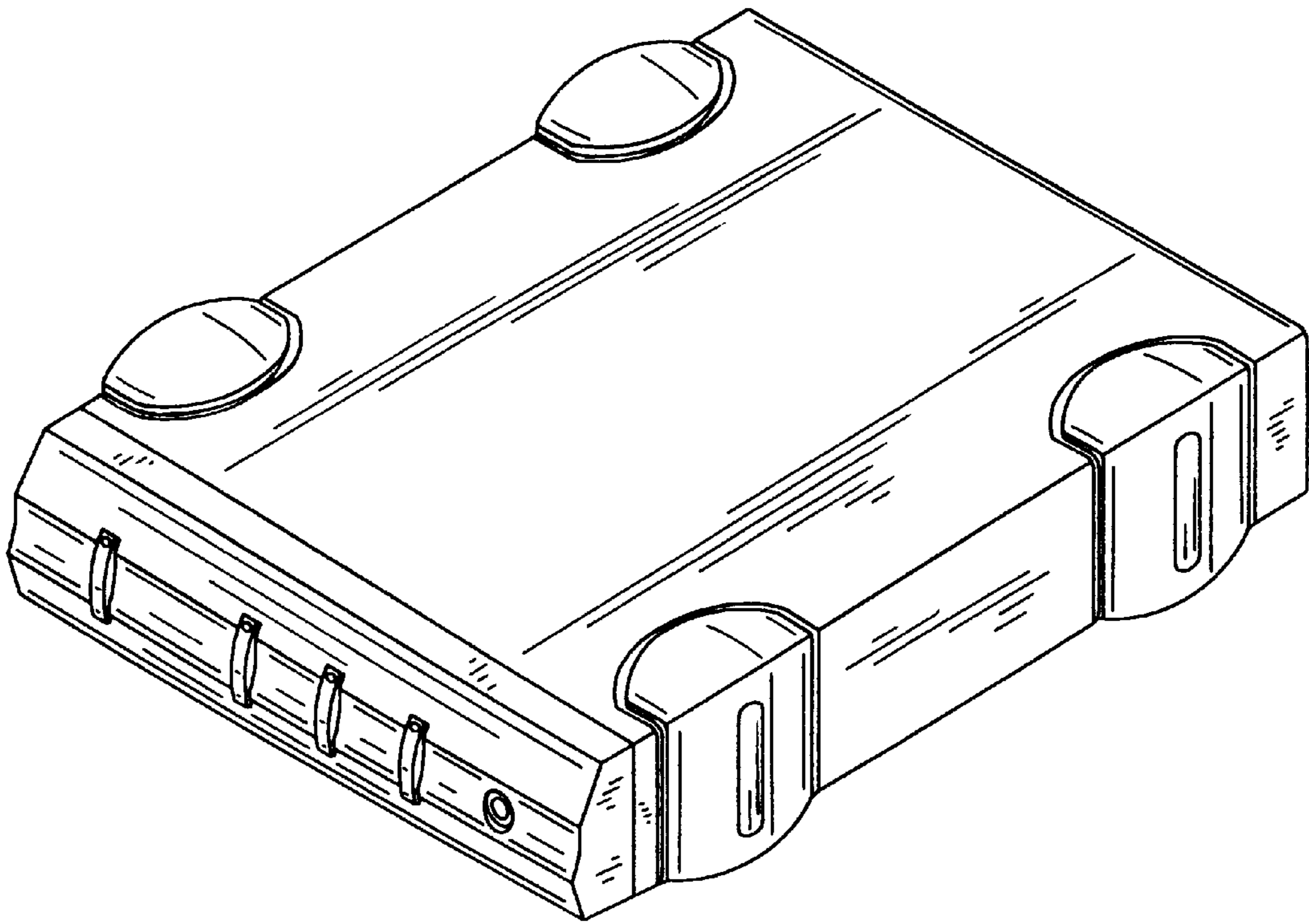


FIG. 2

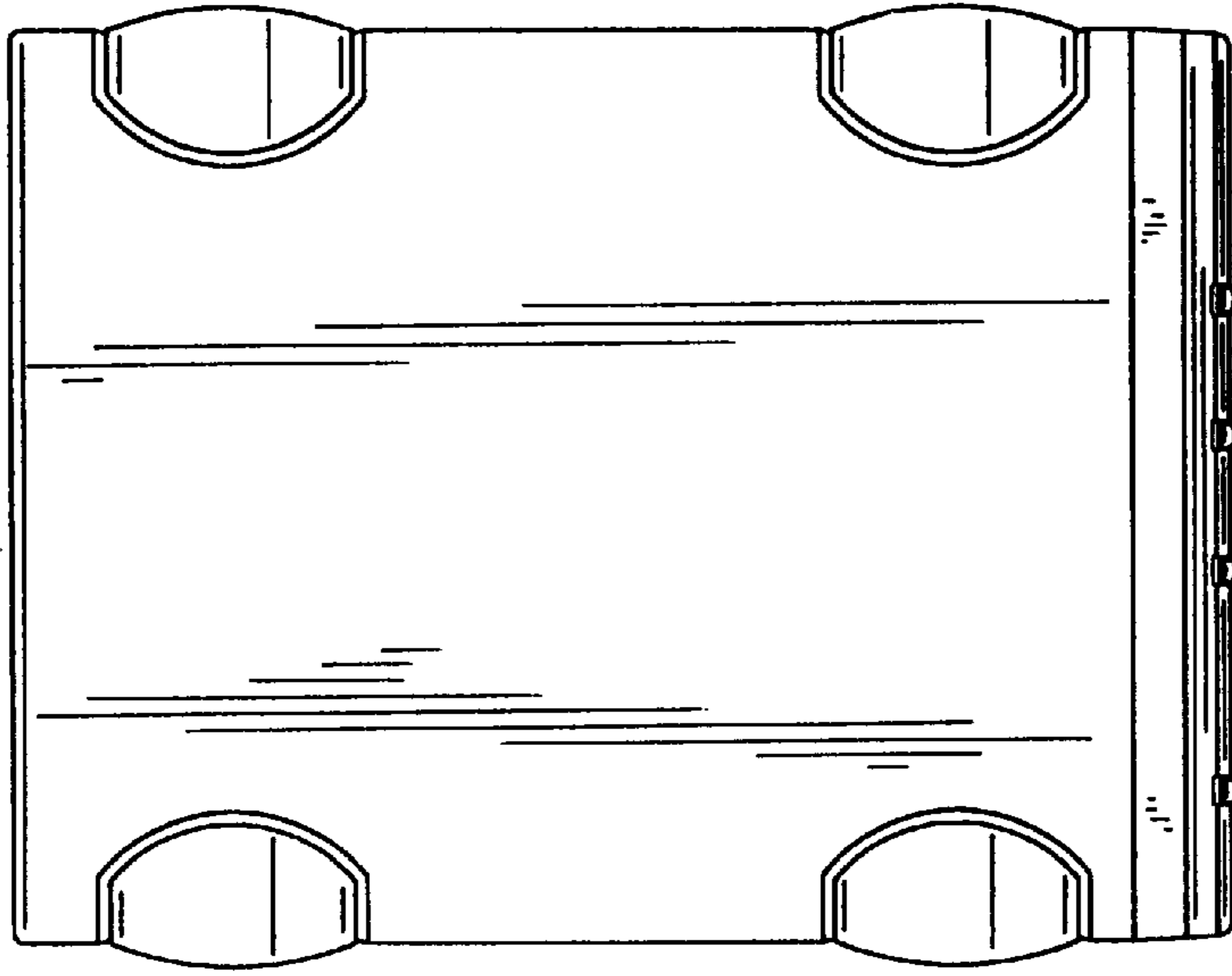


FIG. 3

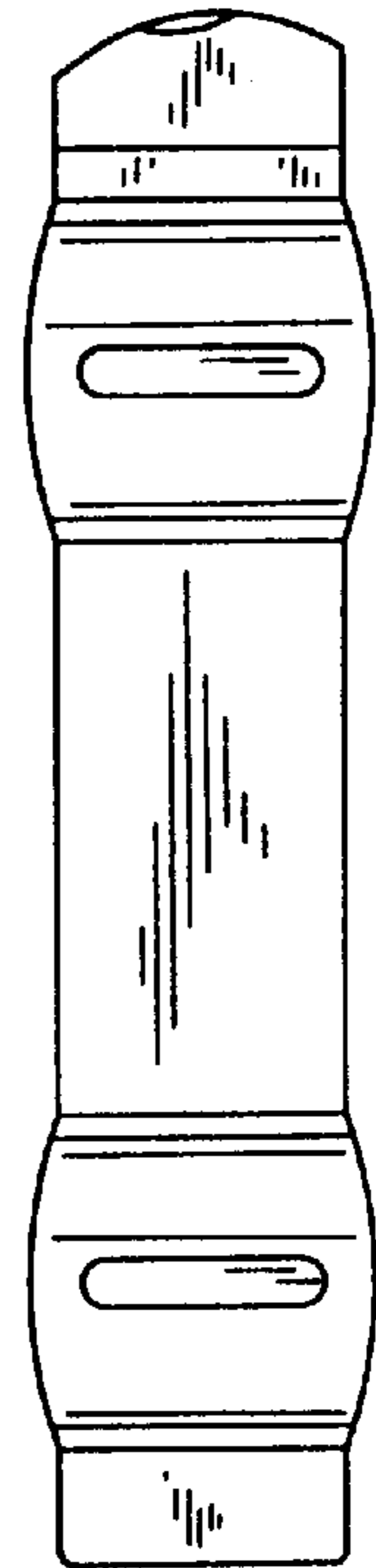


FIG. 4

