



US00D437857S

(12) **United States Design Patent**
Cooper et al.

(10) **Patent No.:** **US D437,857 S**

(45) **Date of Patent:** **** Feb. 20, 2001**

- (54) **PULL-OUT KEYBOARD TRAY**
- (75) Inventors: **Mark J. Cooper**, Reseda; **Kristin M. Stewart**, Redondo Beach, both of CA (US)
- (73) Assignee: **Accuride International, Inc.**, Sante Fe Springs, CA (US)
- (**) Term: **14 Years**
- (21) Appl. No.: **29/103,849**
- (22) Filed: **Apr. 20, 1999**
- (51) **LOC (7) Cl.** **14-02**
- (52) **U.S. Cl.** **D14/457; D14/455**
- (58) **Field of Search** D14/432, 434, D14/455, 457; 248/346.01, 281.1, 118.1, 118.3, 917-924

5,490,466	2/1996	Diffrient	108/96
5,509,628	4/1996	Noble	248/118
5,513,579	5/1996	Allan	108/93
5,582,375	12/1996	Martin	248/118.3
5,595,428	1/1997	Huang	312/223.3
5,626,323	5/1997	Lechman et al.	248/286.1
5,628,482	5/1997	Irvantchi et al.	248/118
5,655,743	8/1997	Gillis	248/346.01
5,667,320	9/1997	Ambrose et al.	400/472
5,692,712	12/1997	Weinschenk, Jr. et al.	248/118
5,697,303	12/1997	Allan	108/93
5,704,299	1/1998	Corpuz, Jr. et al.	108/50
5,704,698	1/1998	Lin	312/208.1
5,735,222	4/1998	Webb	108/144
5,771,814	6/1998	Clausen	108/93
5,775,657	7/1998	Hung	248/289.11

FOREIGN PATENT DOCUMENTS

WO 85/02524 6/1985 (WO) .

* cited by examiner

Primary Examiner—Kay H. Chin
(74) *Attorney, Agent, or Firm*—Christie, Parker & Hale, LLP

(56) **References Cited**
U.S. PATENT DOCUMENTS

D. 382,156	*	8/1997	Huang	D14/457
D. 427,201	*	6/2000	Lin	D14/457
4,616,798		10/1986	Smeenge et al.	248/281.1
4,706,919		11/1987	Soberalski et al.	248/281.1
4,735,466		4/1988	Wolters et al.	312/24
4,901,972		2/1990	Judd et al.	248/918
4,986,616		1/1991	Chang et al.	312/208
4,988,066		1/1991	Cotterill	248/281.1
5,031,867		7/1991	Cotterill	248/281.1
5,037,054		8/1991	McConnell	248/284
5,098,053		3/1992	Cotterill	248/281.1
5,145,136		9/1992	McConnell	248/284
5,211,367		5/1993	Musculus	248/279
5,230,289		7/1993	George et al.	108/2
5,257,767		11/1993	McConnell	248/284
5,292,097		3/1994	Russell	248/281.1
5,302,015		4/1994	Du Vall	312/282
5,443,237		8/1995	Stadtmauer	248/441.1
5,483,898		1/1996	Seidl	108/3

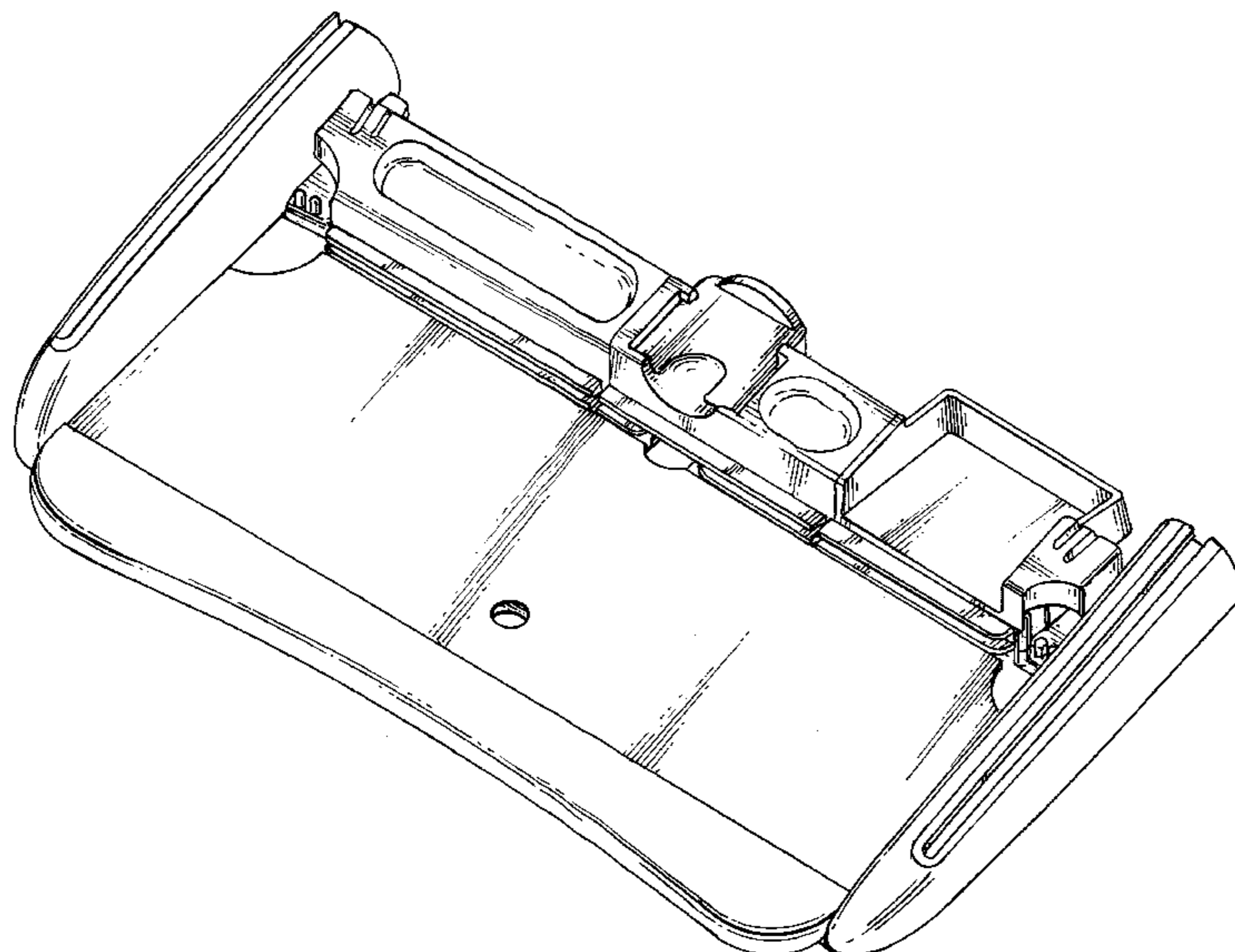
(57) **CLAIM**

The ornamental design for a pull-out keyboard tray, as shown and described.

DESCRIPTION

FIG. 1 is a perspective view of one embodiment of the design;
FIG. 2 is a top view thereof;
FIG. 3 is a front view thereof;
FIG. 4 is a bottom view thereof;
FIG. 5 is a rear view thereof;
FIG. 6 is a right view thereof; and,
FIG. 7 is a left view thereof.

1 Claim, 7 Drawing Sheets



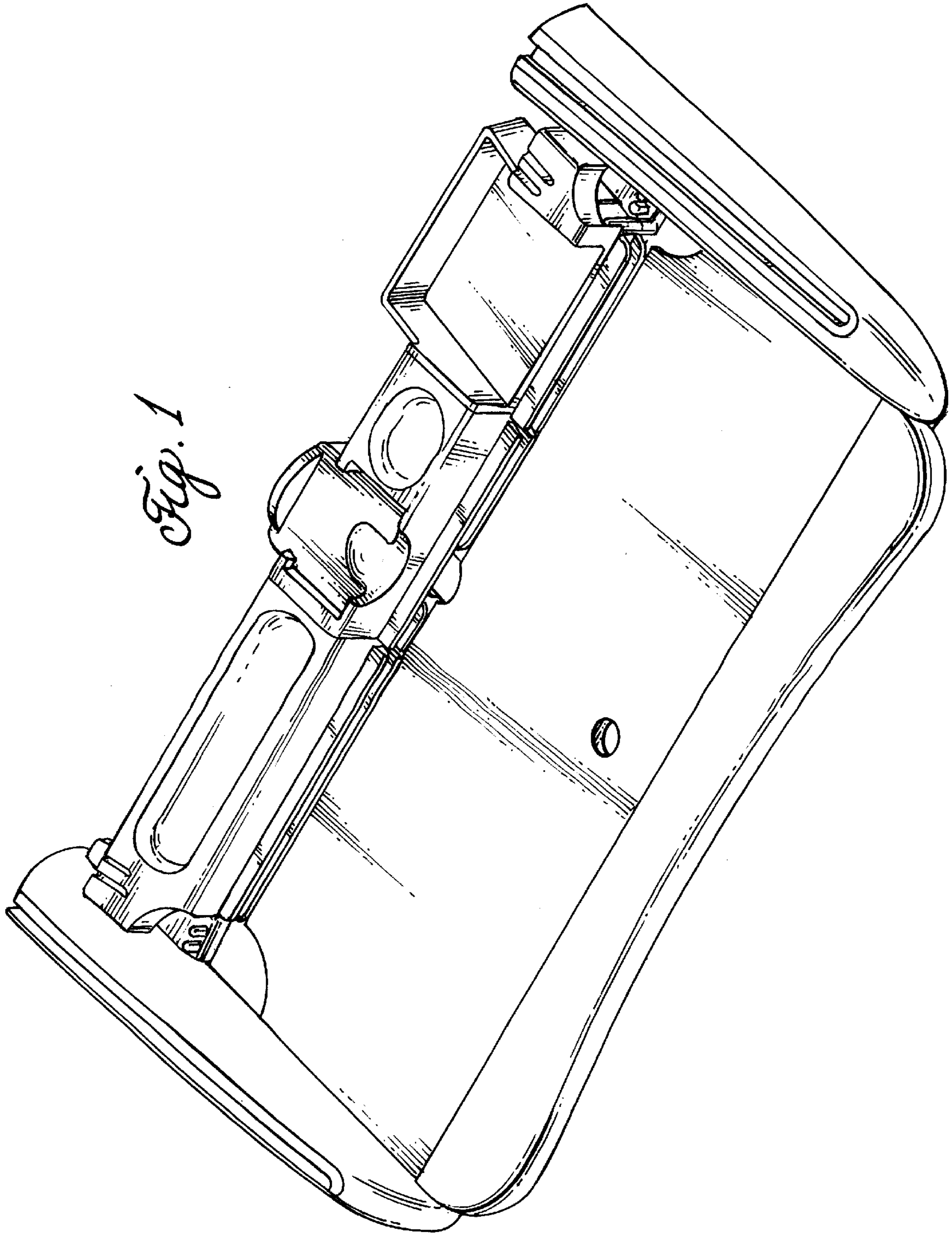


Fig. 1

Fig. 2

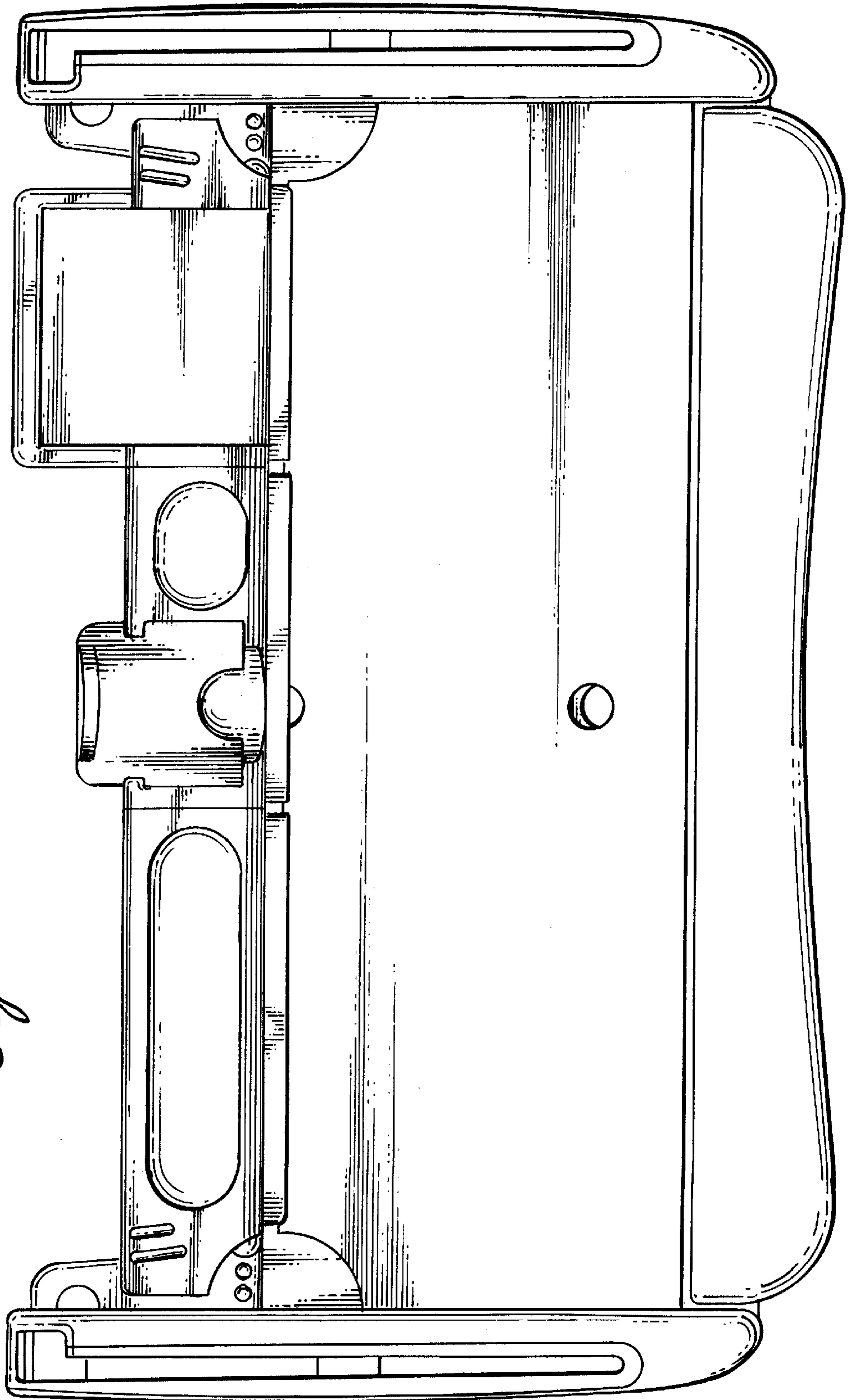


Fig. 3

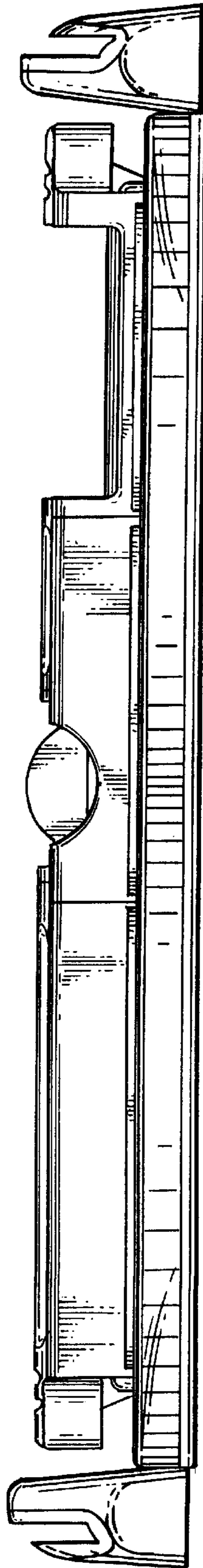
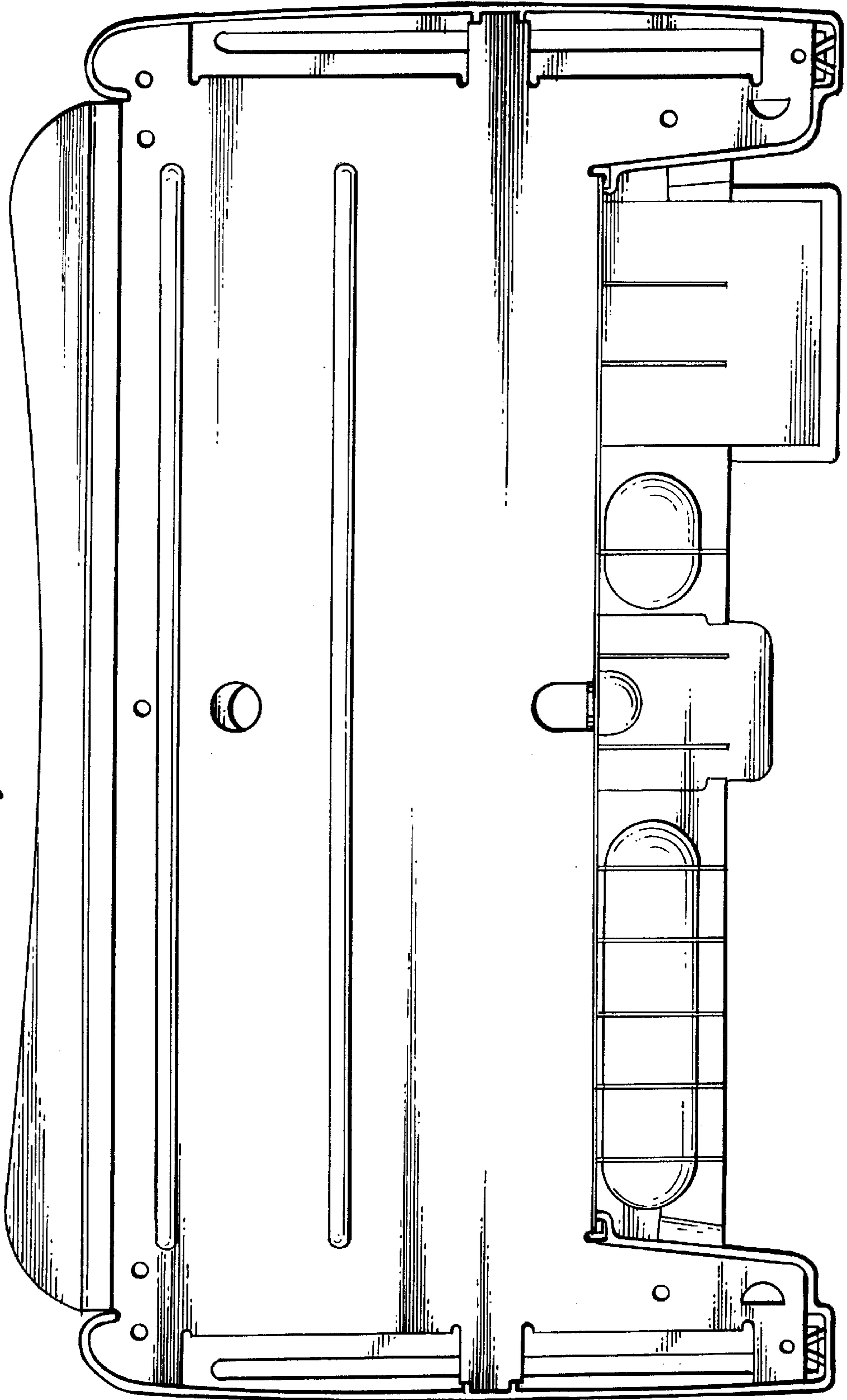


Fig. 4



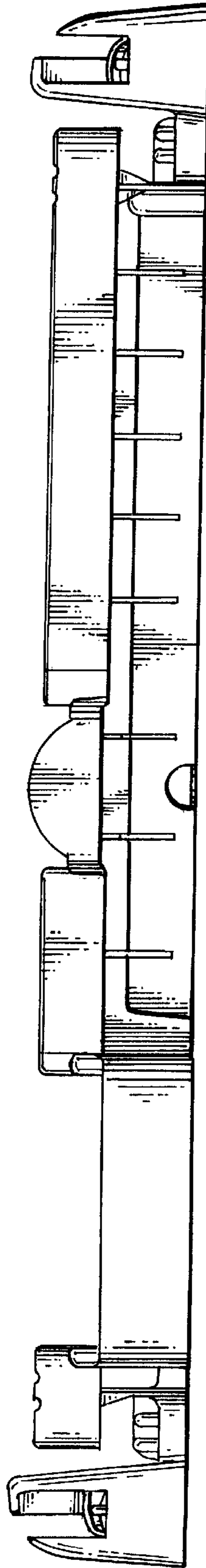


Fig. 5

Fig. 6

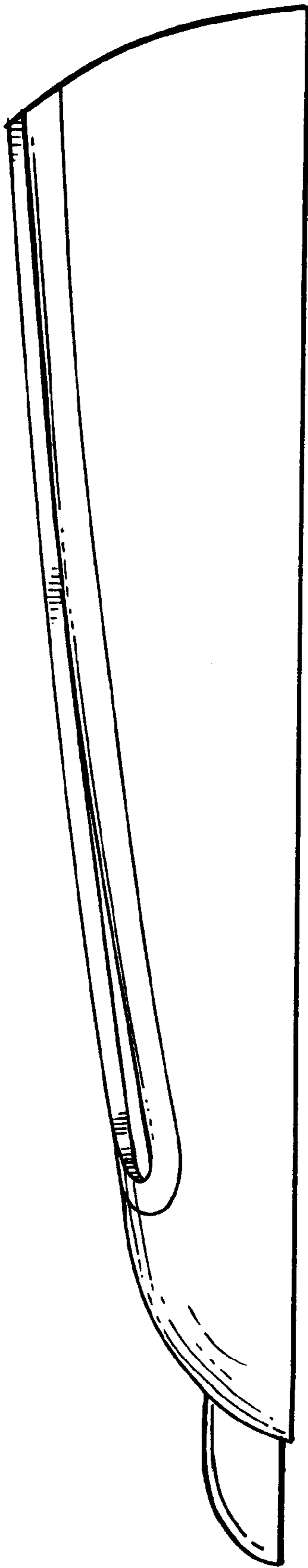


Fig. 7

