



US00D437856S

(12) **United States Design Patent**
Ohanian

(10) **Patent No.:** **US D437,856 S**

(45) **Date of Patent:** **** Feb. 20, 2001**

(54) **CIRCUIT CARD**

(75) Inventor: **Raffi S. Ohanian**, Plano, TX (US)

(73) Assignee: **Inet Technologies, Inc.**, Richardson, TX (US)

(**) Term: **14 Years**

(21) Appl. No.: **29/113,654**

(22) Filed: **Nov. 9, 1999**

Related U.S. Application Data

(63) Continuation-in-part of application No. 09/251,898, filed on Feb. 19, 1999.

(51) **LOC (7) Cl.** **14-02**

(52) **U.S. Cl.** **D14/436**

(58) **Field of Search** D13/182; D14/432, D14/435, 436, 437, 438; 361/719, 736, 737, 738, 752; 439/76.1, 906, 946

(56) **References Cited**

U.S. PATENT DOCUMENTS

D. 416,886	*	11/1999	Hirai et al.	D14/436
4,158,220		6/1979	Yamamoto et al.	361/415
4,417,778		11/1983	Halvorsen	339/17
5,010,444	*	4/1991	Storrow et al.	361/719
5,061,845	*	10/1991	Pinnavaia	361/736 X
5,529,503	*	6/1996	Kerklaan	361/737 X
5,964,595	*	10/1999	Centofante	439/76.1
5,982,624	*	11/1999	Onoda et al.	361/736 X

FOREIGN PATENT DOCUMENTS

0392114		10/1990	(EP)	G06F/13/40
0688157		12/1995	(EP)	H05K/7/14
50-119282		9/1975	(JP)	H05K/7/14

OTHER PUBLICATIONS

“IEEE Standard for Metric Equipment Practice for Microcomputers—Convention-Cooled with 2 mm Connectors”, Published by The Institute of Electrical and Electronics Engineers, Inc., Jan. 9, 1992, pp. 1–37.

“IEEE Standard for Mechanical Core Specifications for Microcomputers Using IEC 603–2 Connectors”, Published by the Institute of Electrical and Electronics Engineers, Inc., Jun. 18, 1992, pp. 1–51.

* cited by examiner

Primary Examiner—Brian N. Vinson

(74) *Attorney, Agent, or Firm*—Fulbright & Jaworski L.L.P.

(57) **CLAIM**

I claim the ornamental design for a circuit card, as shown and described.

DESCRIPTION

FIG. 1 is an isometric view from the front showing the front, right, and top sides of my design for a circuit card;

FIG. 2 is an elevation view from the front showing the front side of my design for a circuit card;

FIG. 3 is an elevation view from the right showing the right side of my design for a circuit card;

FIG. 4 is an elevation view from the back showing the back side of my design for a circuit card;

FIG. 5 is an elevation view from the left showing the left side of my design for a circuit card;

FIG. 6 is a plan view from the top of my design for a circuit card;

FIG. 7 is a plan view from the bottom of my design for a circuit card;

FIG. 8 is an isometric view from the front showing the front, right, and top sides of my design for a circuit card, illustrating the circuit card disposed within a card cage;

FIG. 9 is an isometric view from the front showing the front, right, and top sides of my design for a second embodiment of the circuit card, the only difference over the first embodiment being that the connectors illustrated on the right side of the first embodiment are omitted in the second embodiment;

FIG. 10 is an isometric view from the front showing the front, right, and top sides of my design for a third embodiment of the circuit card, the only difference over the first embodiment being that the connectors on the top side of the circuit card are disposed toward the right side of the circuit card rather than toward the left side of the circuit card;

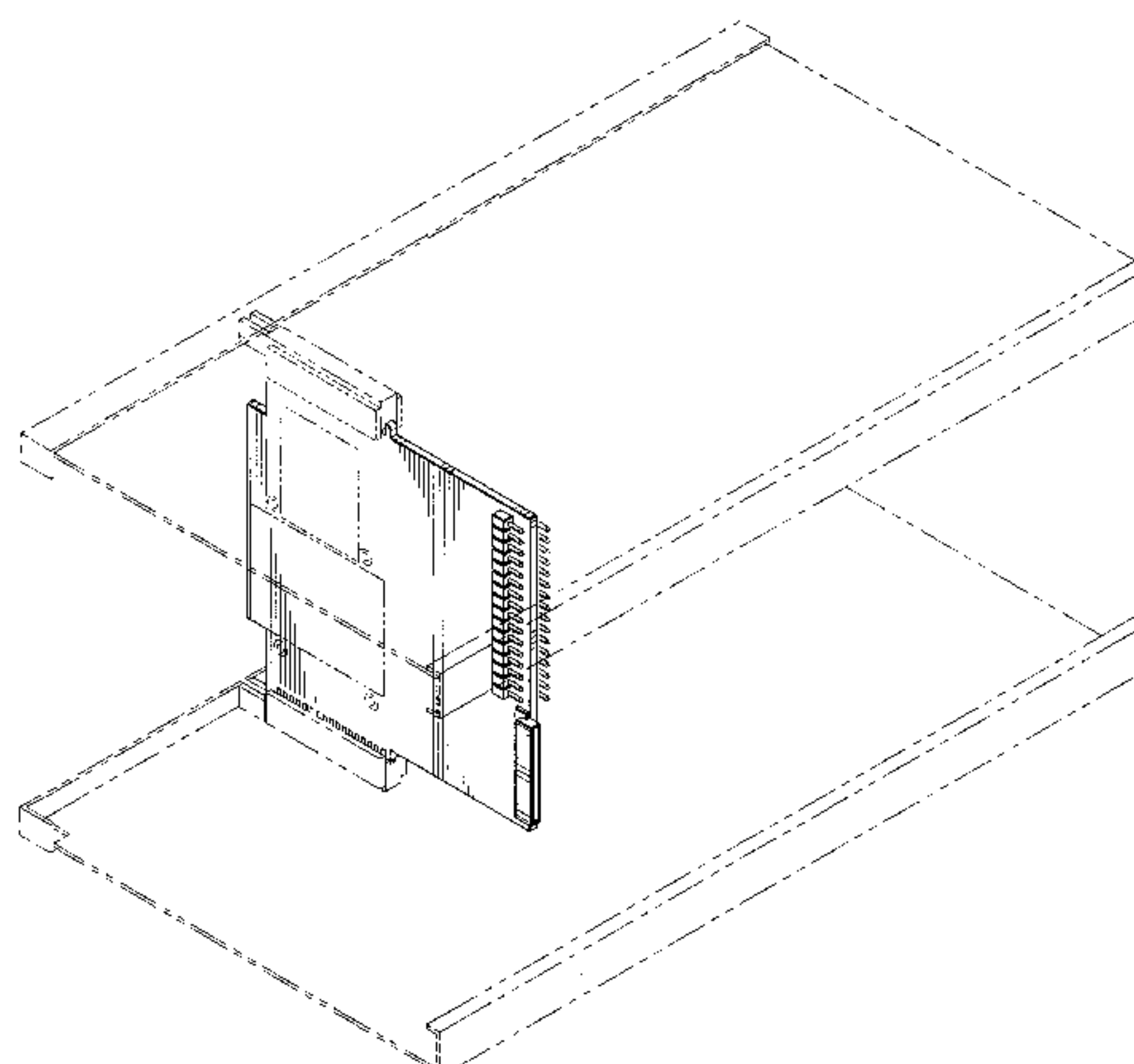


FIG. 11 is an isometric view from the front showing the front, right, and top sides of my design for a fourth embodiment of a circuit card, the only difference over the first embodiment being that the connectors on the top side and the connectors on the bottom side of the circuit card are disposed toward the right side of the circuit card rather than toward the left side of the circuit card;

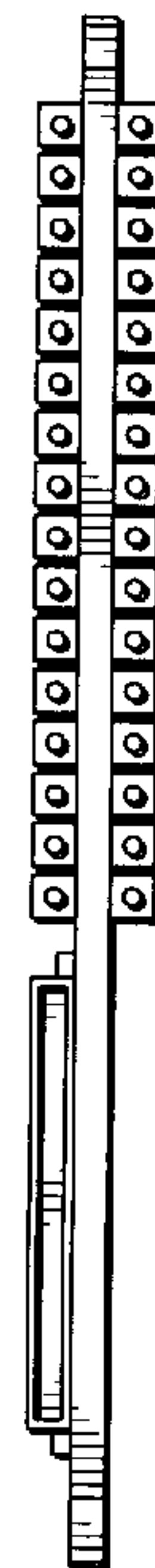
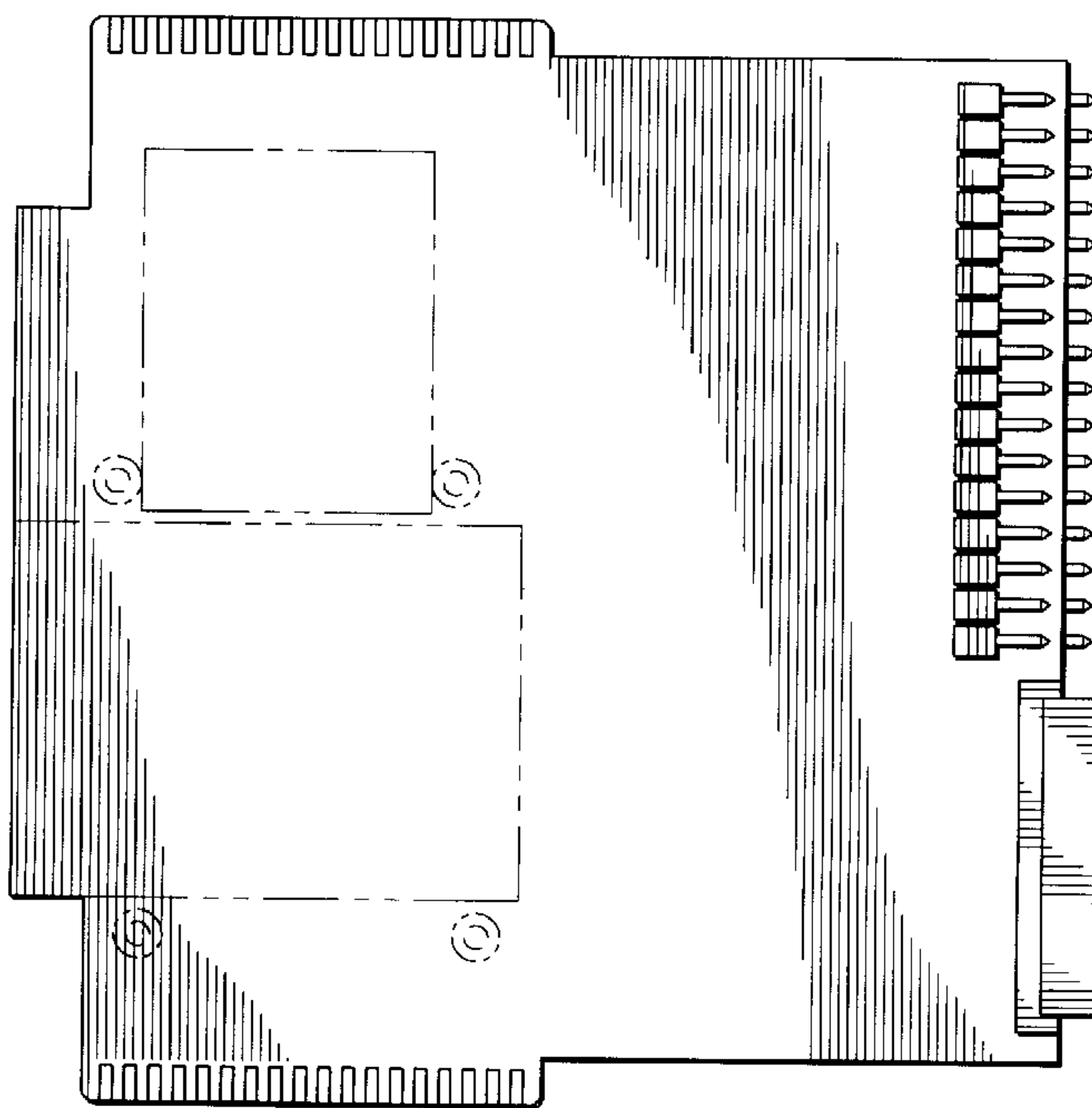
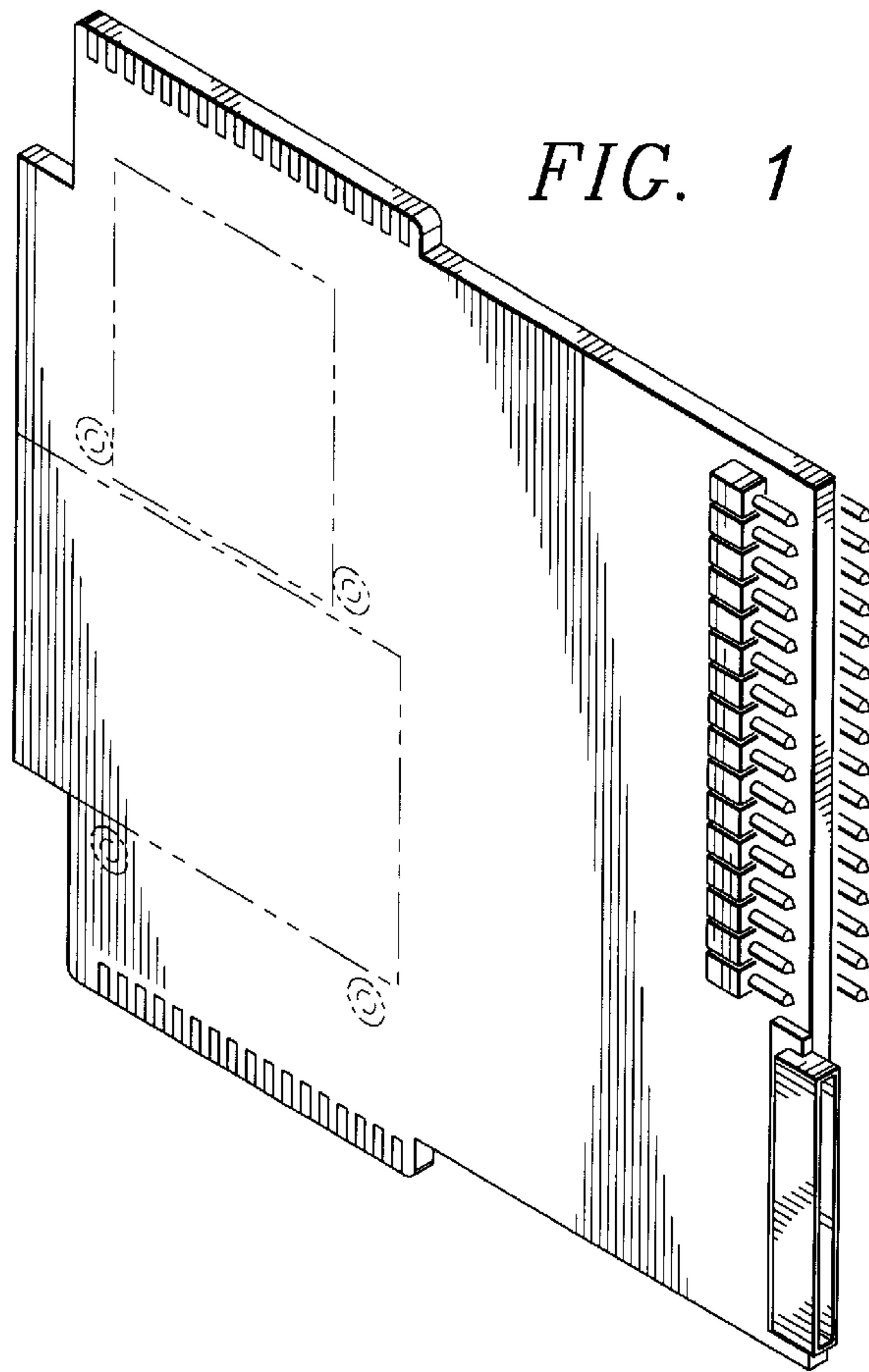
FIG. 12 is an isometric view from the front showing the front, right, and top sides of my design for a fifth embodiment of the circuit card, the only difference over the first embodiment being that the connectors on the bottom side of the circuit card are disposed toward the right side of the circuit card rather than toward the left side of the circuit card; and,

FIG. 13 is an isometric view from the front showing the front, right, and top sides of my design for a sixth embodiment of a circuit card, the only difference over the first embodiment being that the left side of the circuit card is level from the top to the bottom of the circuit card.

It should be understood that the labels used herein for describing orientation (e.g., front, back, top, bottom, right, and left) are merely for reference, and the design may be disposed in any manner and still be within the scope of the present invention.

Additionally, various chips, circuitry, and other components that may be included on the circuit card, such as a disk drive, are indicated by blocks shown as broken lines herein in FIGS. 1, 2 and 8-13. Likewise, coupling mechanisms for securing such components to the circuit card are shown in broken lines herein in FIGS. 1, 2, 4 and 8-13. Also, a card cage having the circuit card disposed therein is shown in broken lines herein in FIG. 8. It should be understood that the elements shown in broken lines are environmental only and form no part of the claimed design.

1 Claim, 4 Drawing Sheets



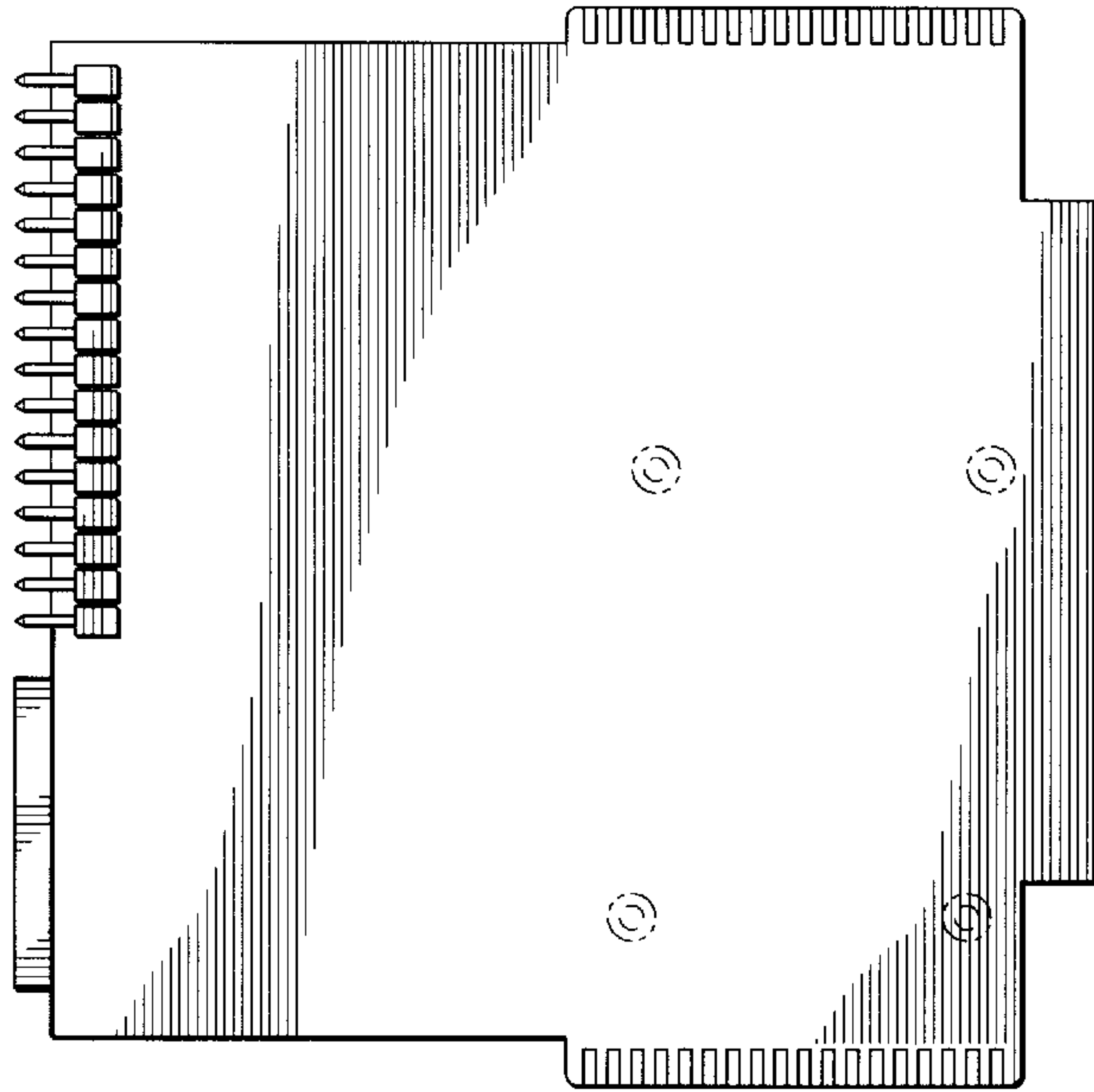


FIG. 4

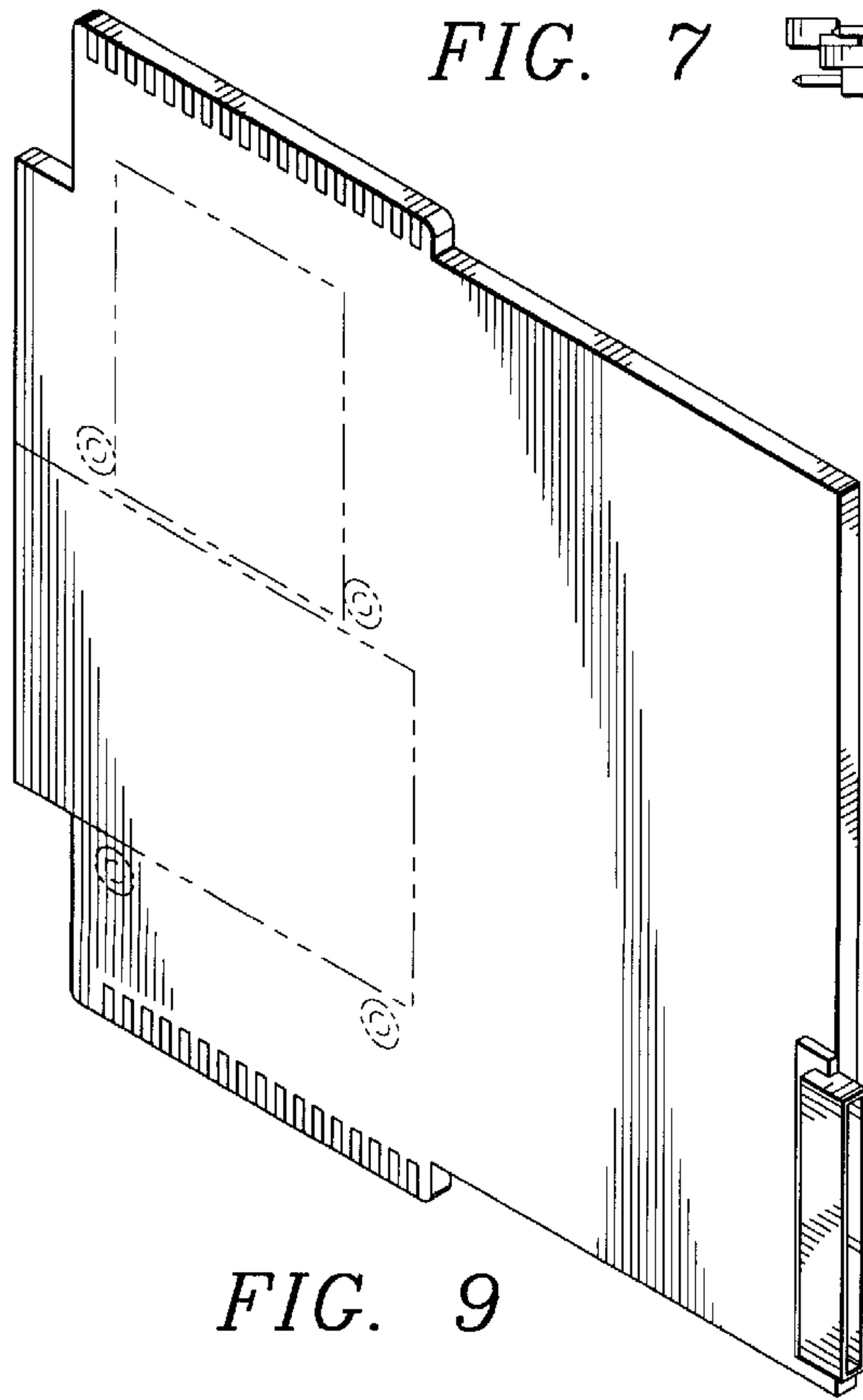
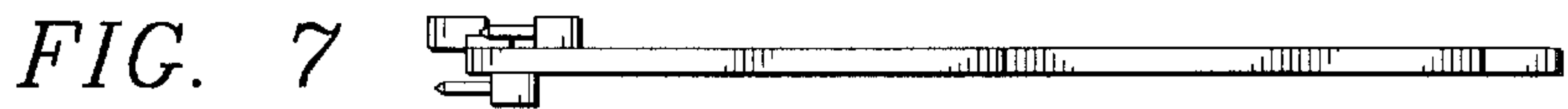
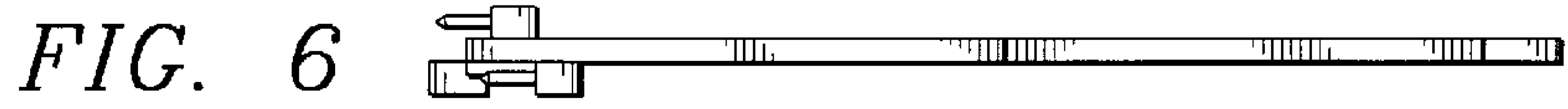


FIG. 9

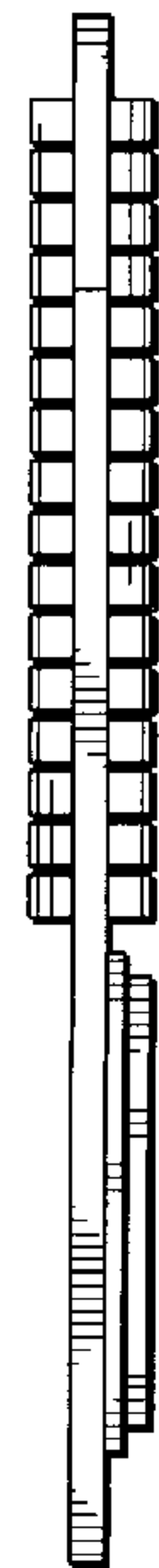


FIG. 5

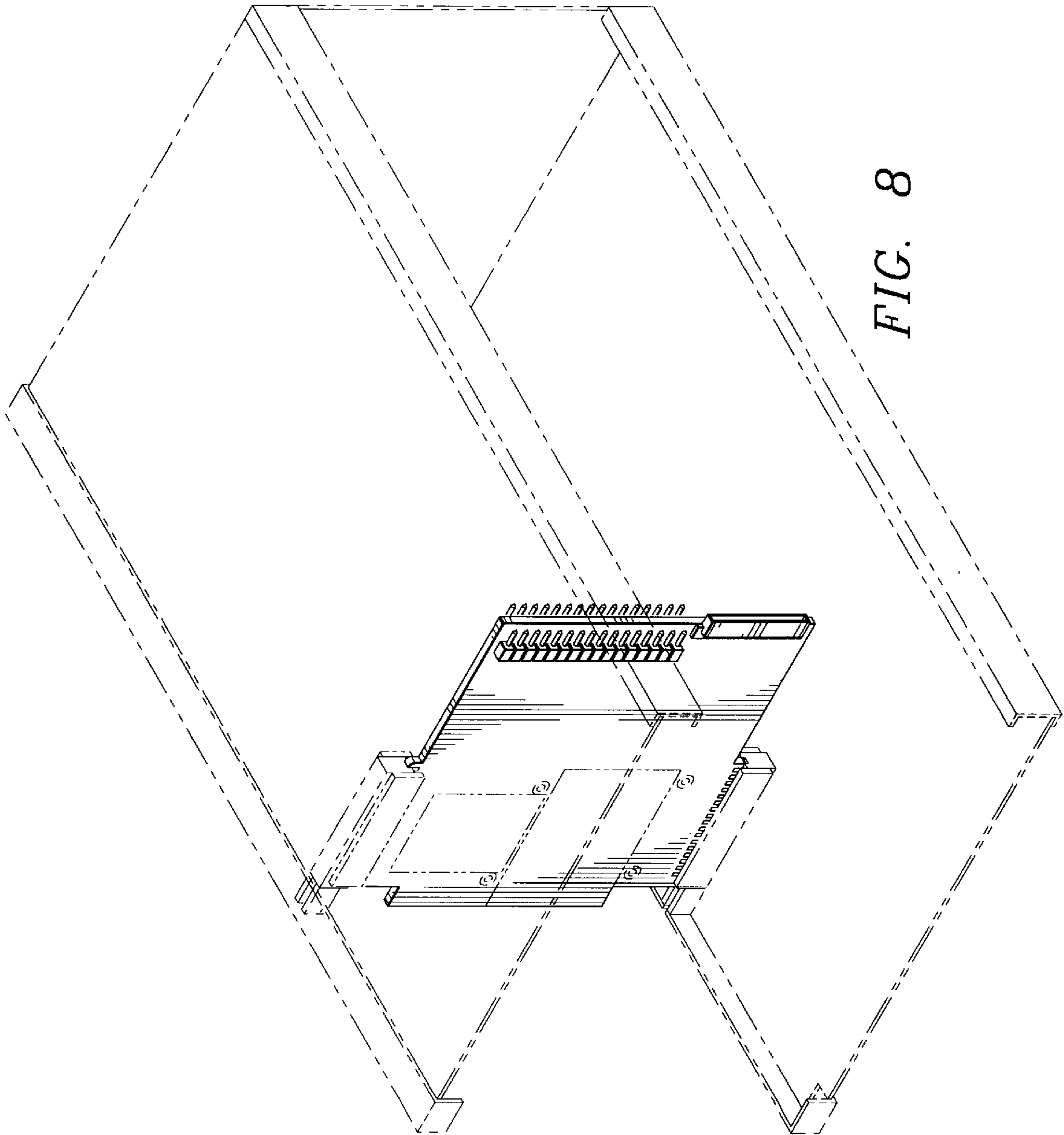


FIG. 8

