



US00D437849S

(12) **United States Design Patent**
Chen

(10) **Patent No.:** **US D437,849 S**

(45) **Date of Patent:** **** Feb. 20, 2001**

(54) **EXTERNAL HARD-DISK BOX**

(76) **Inventor:** **Beda Ming-Ching Chen**, 3F, No. 1,
Alley 4, Lane 29, San-Min Rd.,
Hsin-Tien City, Taipei Hsien (TW)

(**) **Term:** **14 Years**

(21) **Appl. No.:** **29/120,692**

(22) **Filed:** **Mar. 23, 2000**

(51) **LOC (7) Cl.** **14-02**

(52) **U.S. Cl.** **D14/355**

(58) **Field of Search** D14/348, 353,
D14/355, 356, 363; D13/162, 184, 199;
312/223.2; 360/99.12; 361/690-696; 369/34,
36

(56) **References Cited**

U.S. PATENT DOCUMENTS

- D. 308,966 * 7/1990 Alfonso et al. D14/368
- D. 346,593 * 5/1994 Mizusugi et al. D14/368

- D. 360,192 * 7/1995 Lien D14/355
- D. 395,873 * 7/1998 Yokoyama et al. D14/368

* cited by examiner

Primary Examiner—Freda Nunn

(74) *Attorney, Agent, or Firm*—Bacon & Thomas, PLLC

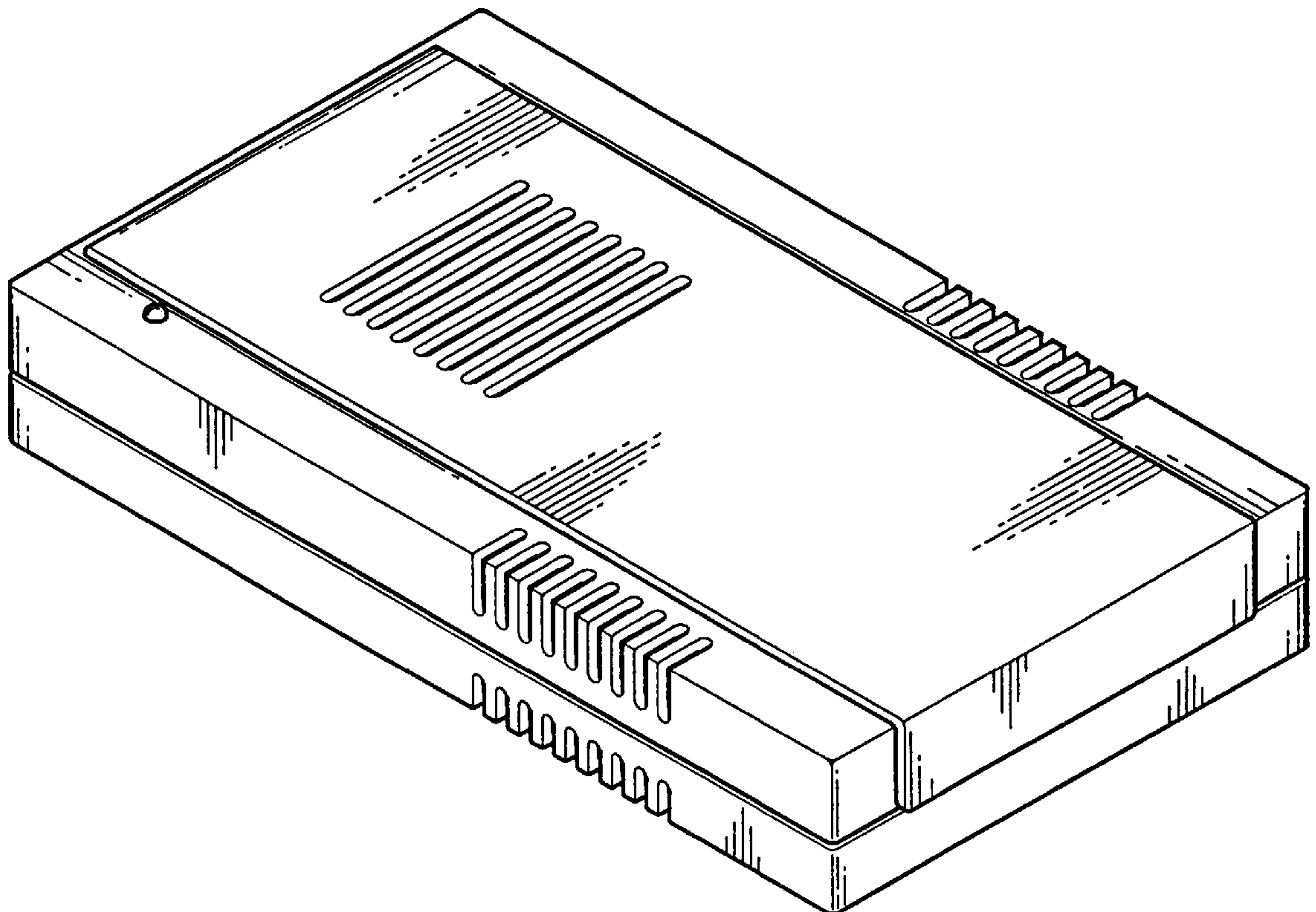
(57) **CLAIM**

The ornamental design for an external hard-disk box, as shown and described.

DESCRIPTION

FIG. 1 is a perspective view of an external hard-disk box showing our new design thereof;
FIG. 2 is a right side elevational view thereof;
FIG. 3 is a top plan view thereof;
FIG. 4 is a front elevational view thereof;
FIG. 5 is a bottom elevational view thereof;
FIG. 6 is a left side elevational view thereof; and,
FIG. 7 is a rear elevational view thereof.

1 Claim, 4 Drawing Sheets



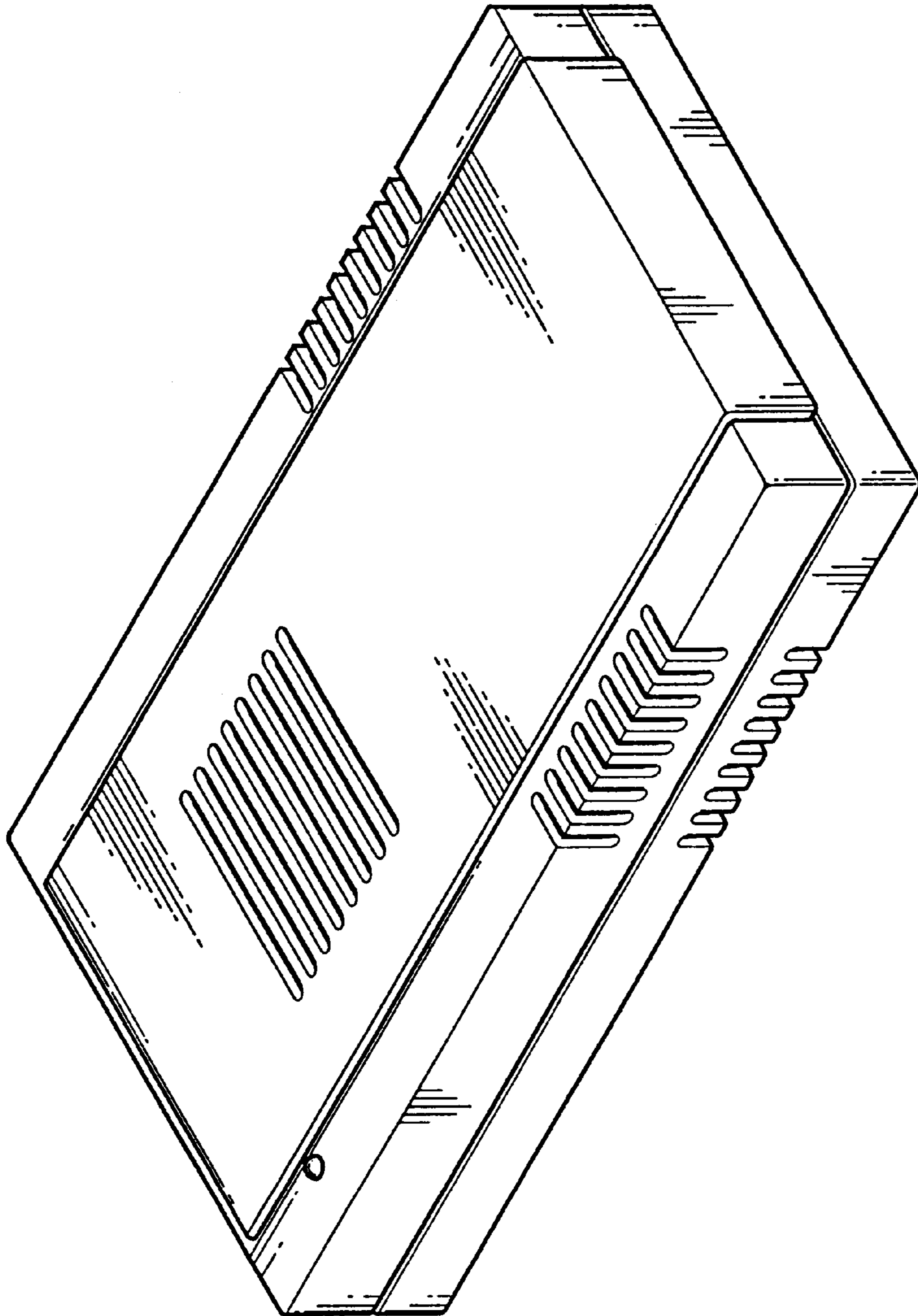


Fig. 1

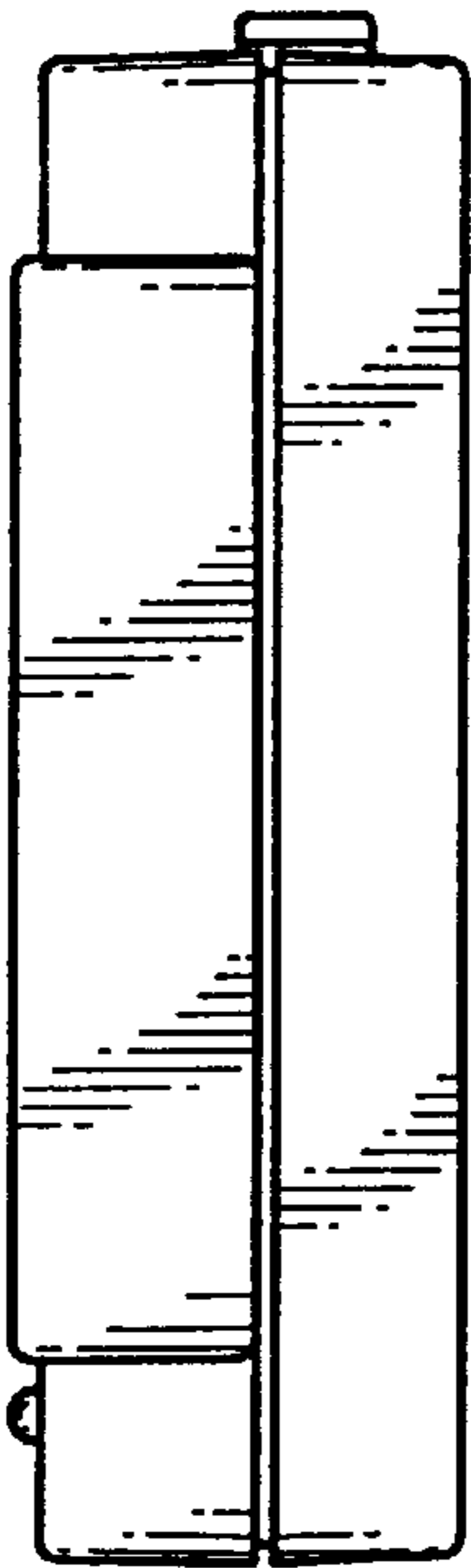


Fig. 2

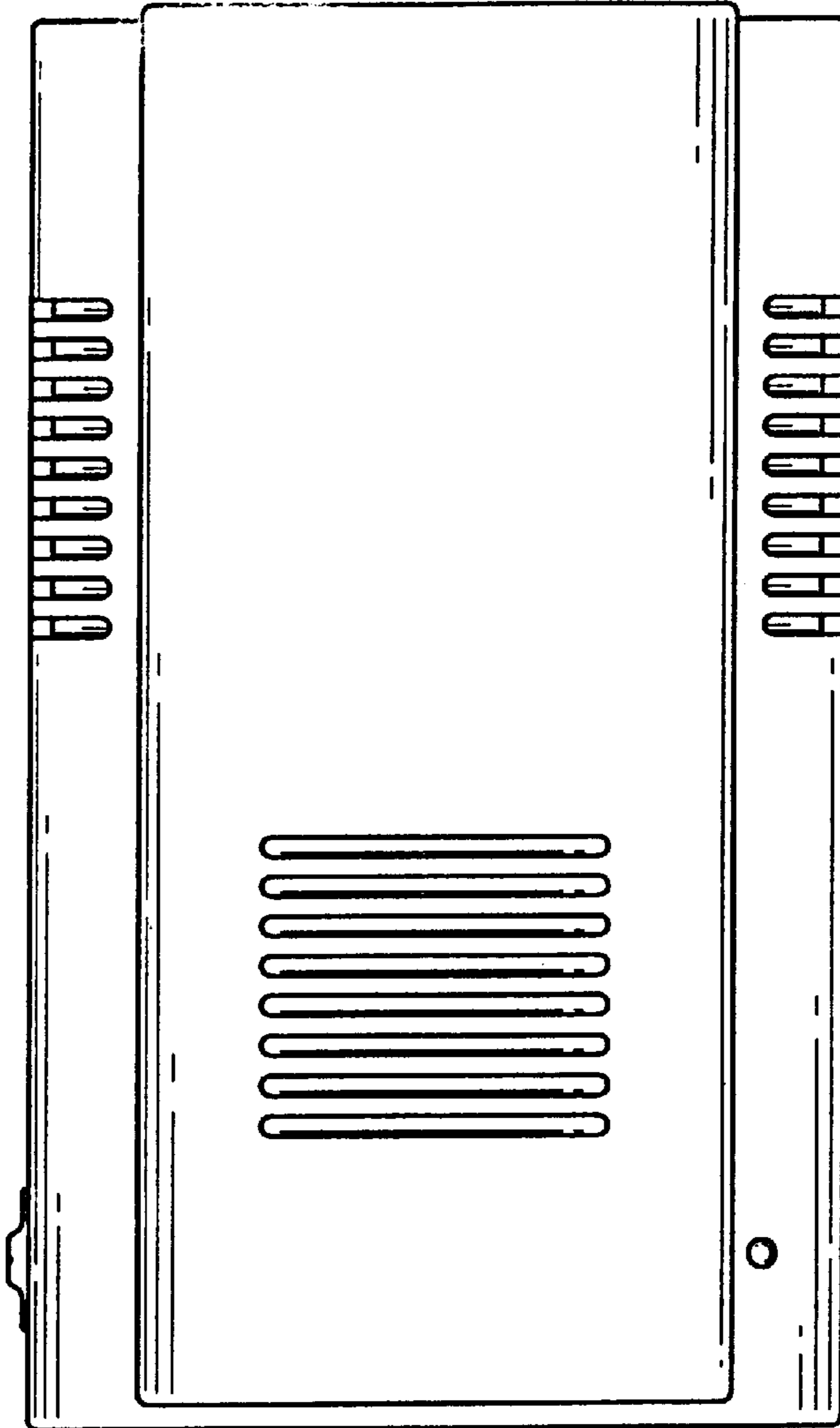


Fig. 3

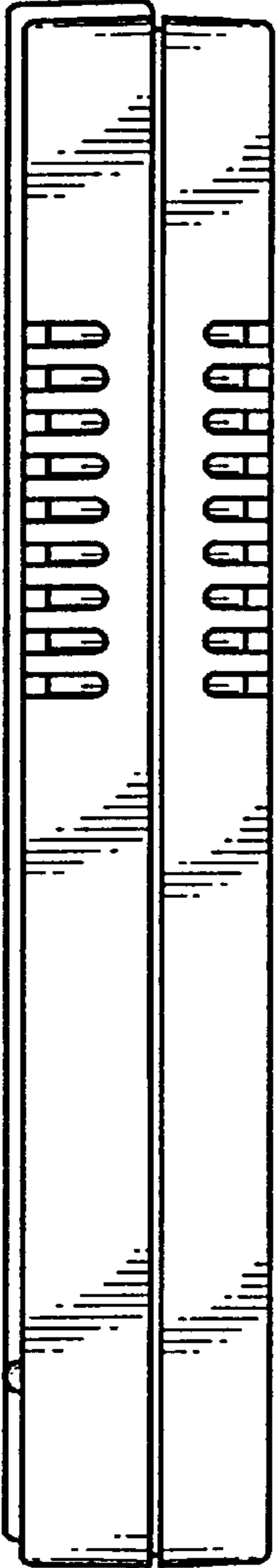


Fig. 4

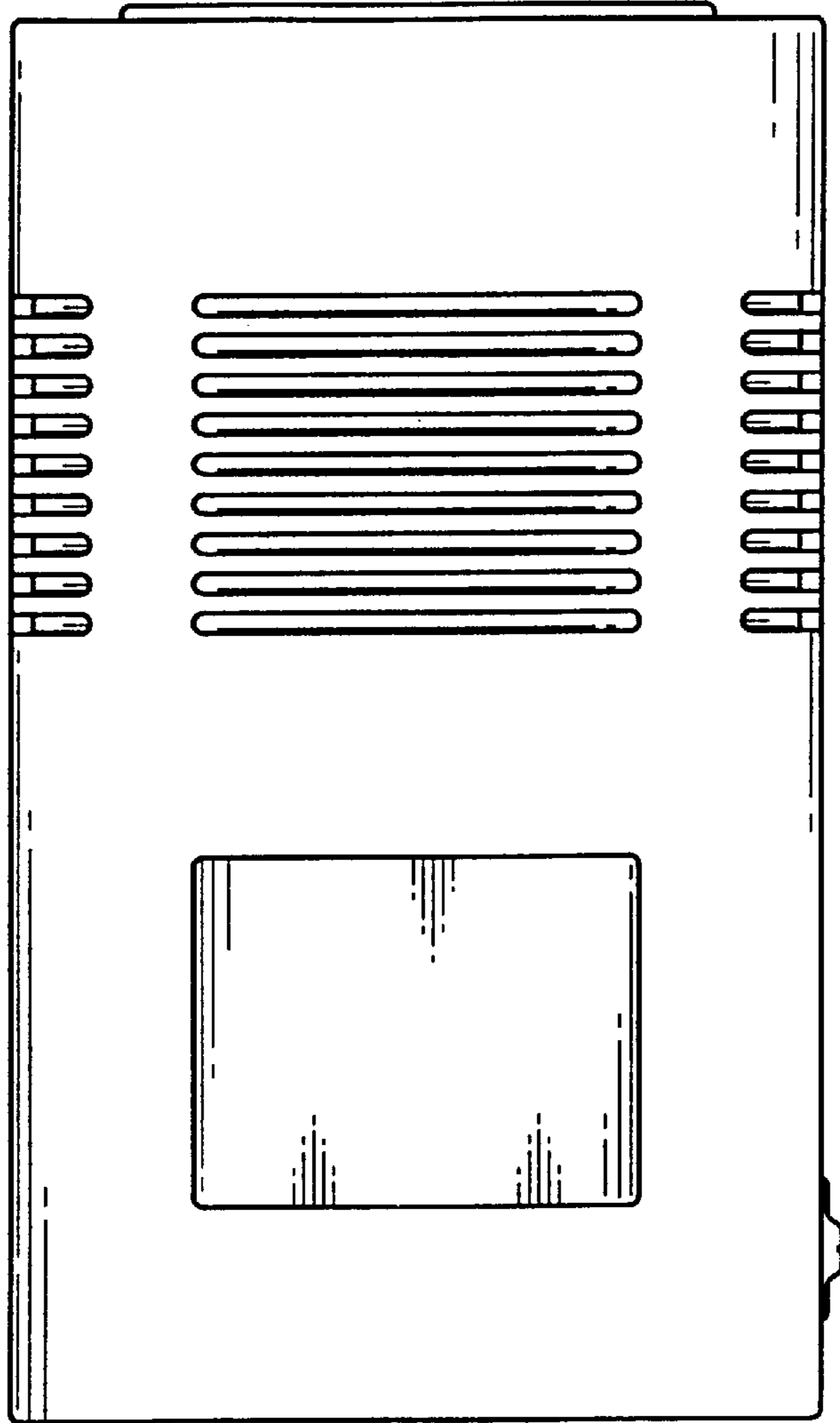


Fig. 5

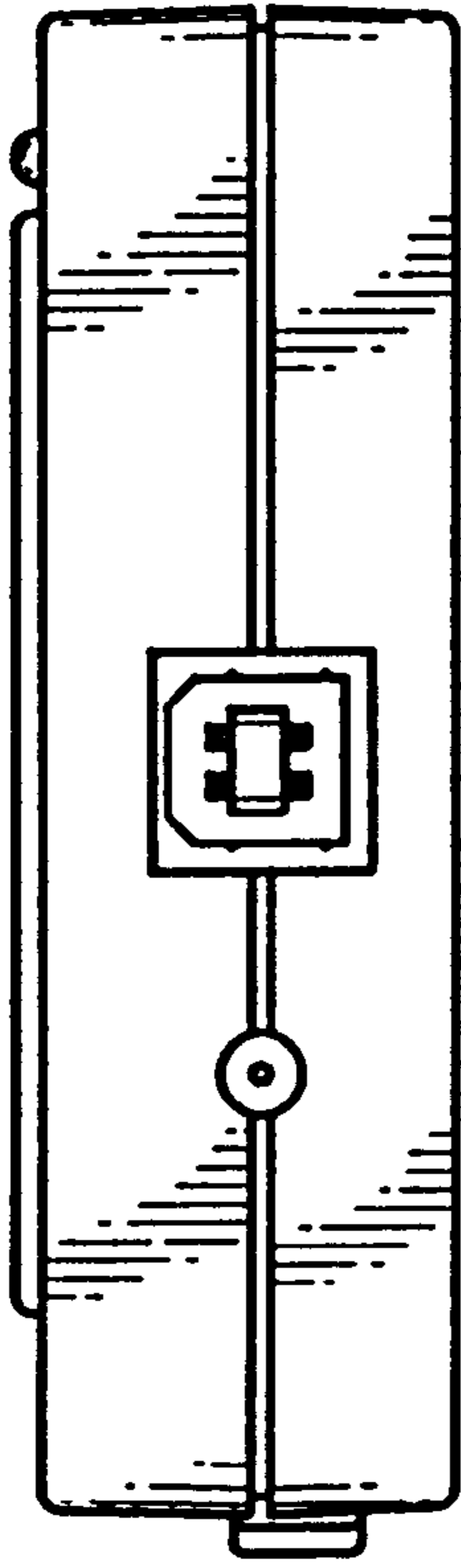


Fig. 6

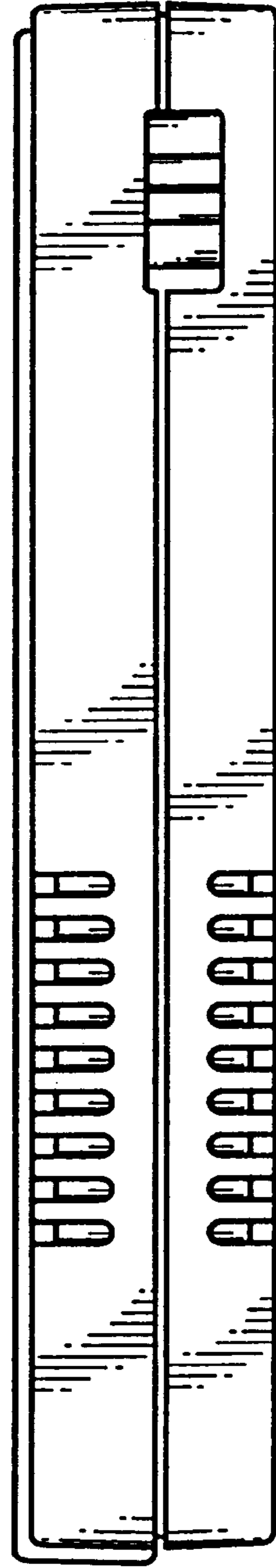


Fig. 7