



US00D437846S

(12) **United States Design Patent**
Kabasawa et al.

(10) **Patent No.:** **US D437,846 S**

(45) **Date of Patent:** **** Feb. 20, 2001**

(54) **HEAD CARRIAGE**

5,604,719 * 2/1997 Kakimoto et al. 360/114
5,663,937 * 9/1997 Takahashi 360/114

(75) Inventors: **Hidetoshi Kabasawa; Jun Makabe;**
Takashi Niinuma, all of Musashino
(JP)

* cited by examiner

(73) Assignee: **TEAC Corporation**, Tokyo (JP)

Primary Examiner—Nanda Bondade

(74) *Attorney, Agent, or Firm*—Ladas & Parry

(**) Term: **14 Years**

(57) **CLAIM**

(21) Appl. No.: **29/091,792**

The ornamental design for a head carriage, as shown and described.

(22) Filed: **Aug. 5, 1998**

(30) **Foreign Application Priority Data**

DESCRIPTION

Feb. 26, 1998 (JP) 10-5202

FIG. 1 is a front view of a head carriage showing our new design;

(51) **LOC (7) Cl.** **14-99**

FIG. 2 is a rear view thereof;

(52) **U.S. Cl.** **D14/260**

FIG. 3 is a top view thereof;

(58) **Field of Search** D14/114, 217,
D14/260, 299; 360/104, 114; 369/13, 105,
106

FIG. 4 is a bottom view thereof;

FIG. 5 is a left side view thereof; and,

FIG. 6 is a right side view thereof.

(56) **References Cited**

U.S. PATENT DOCUMENTS

5,126,904 * 6/1992 Sakurai 360/104

1 Claim, 2 Drawing Sheets

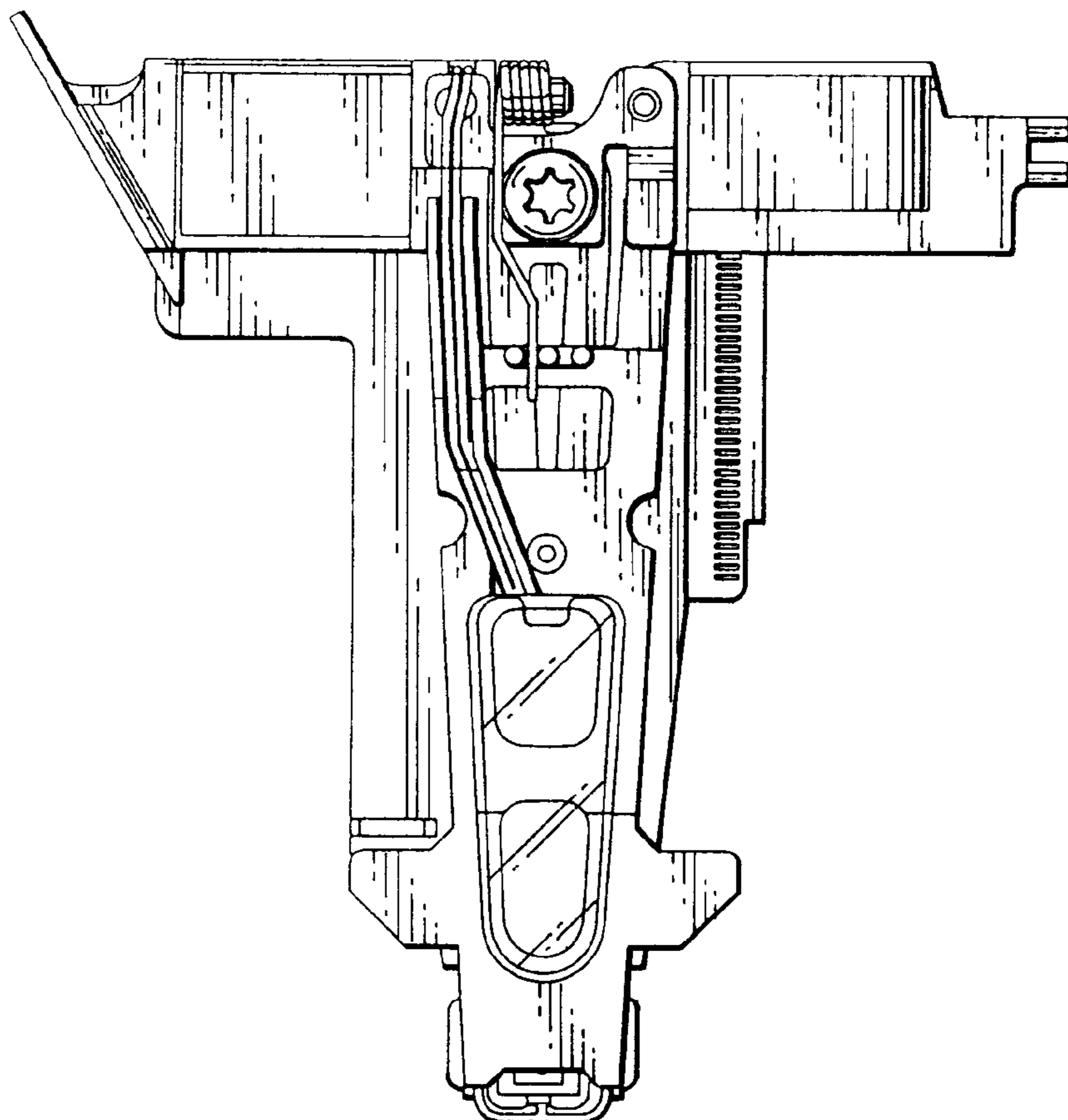


FIG. 1

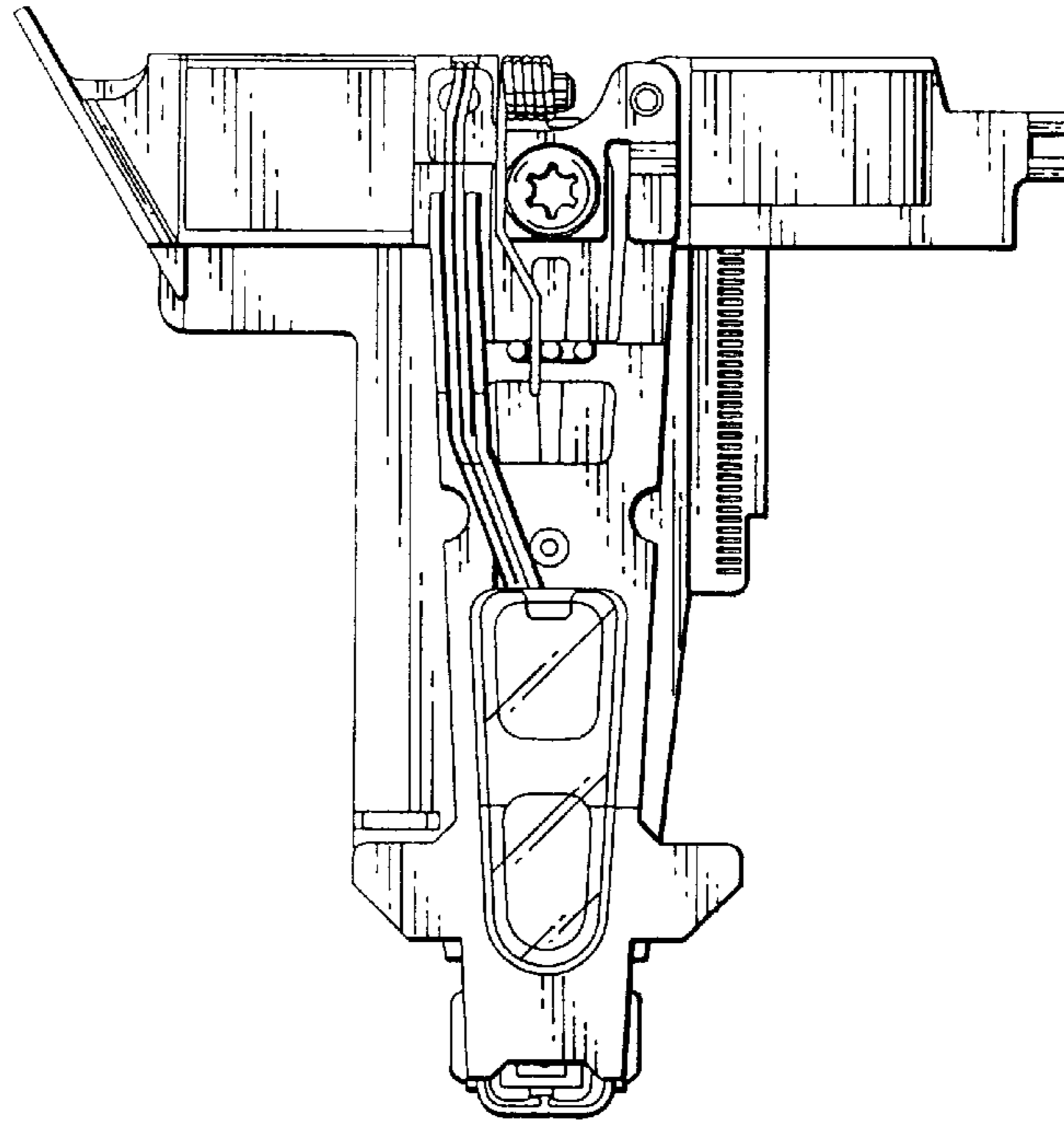


FIG. 2

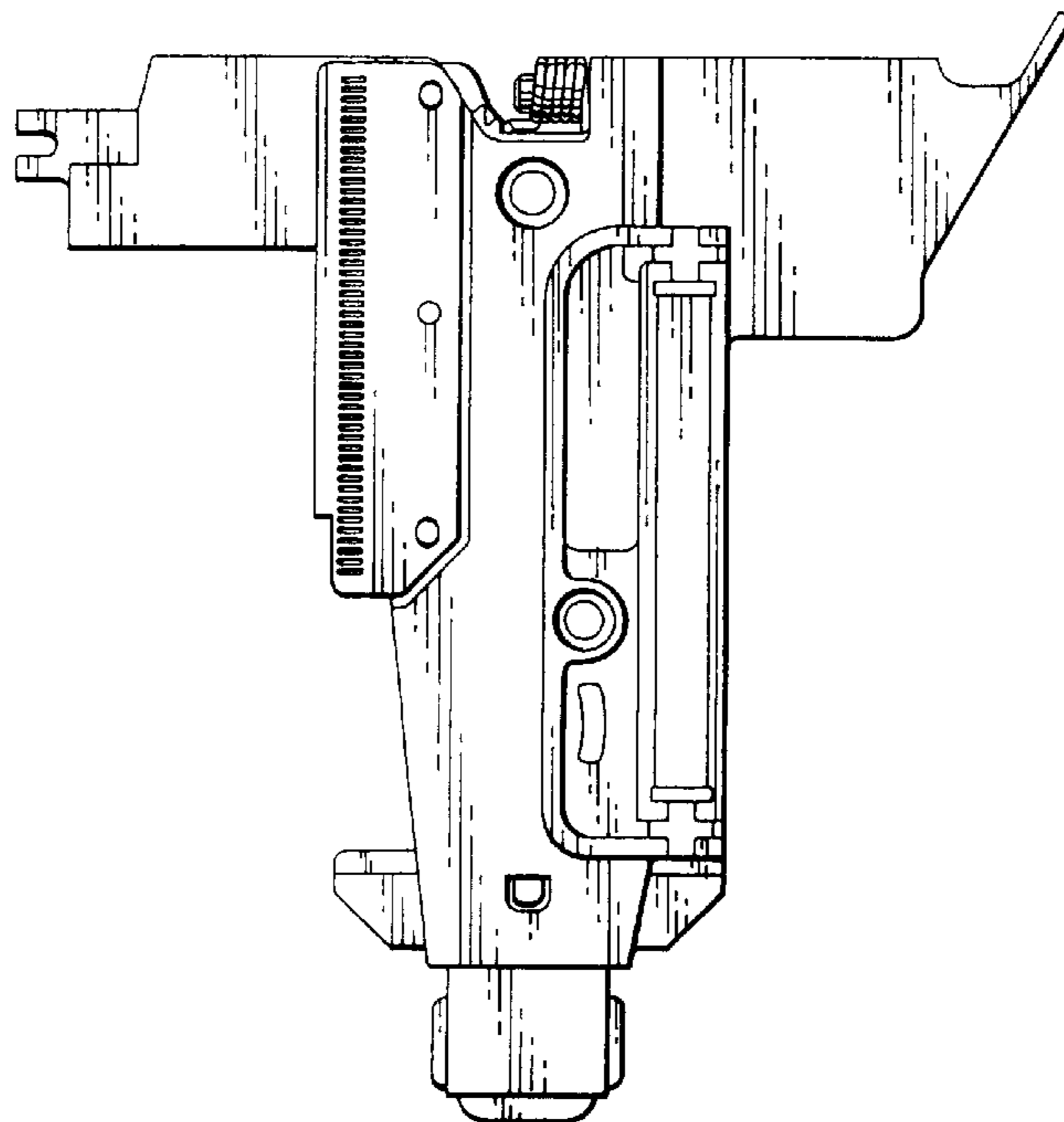


FIG. 3

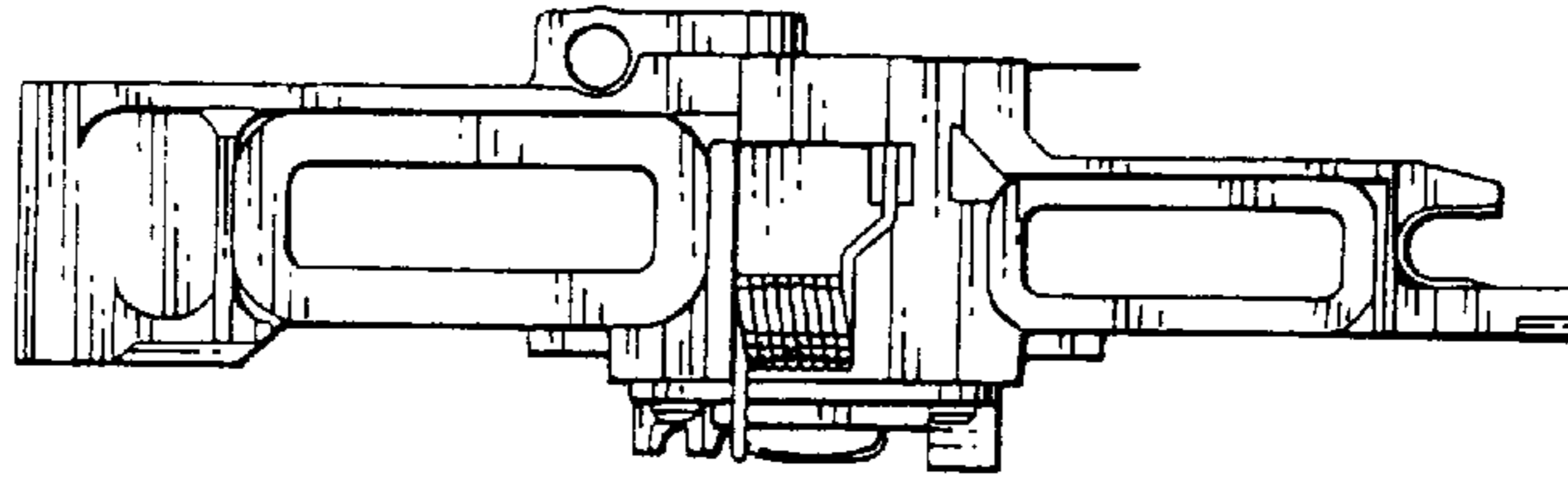


FIG. 4

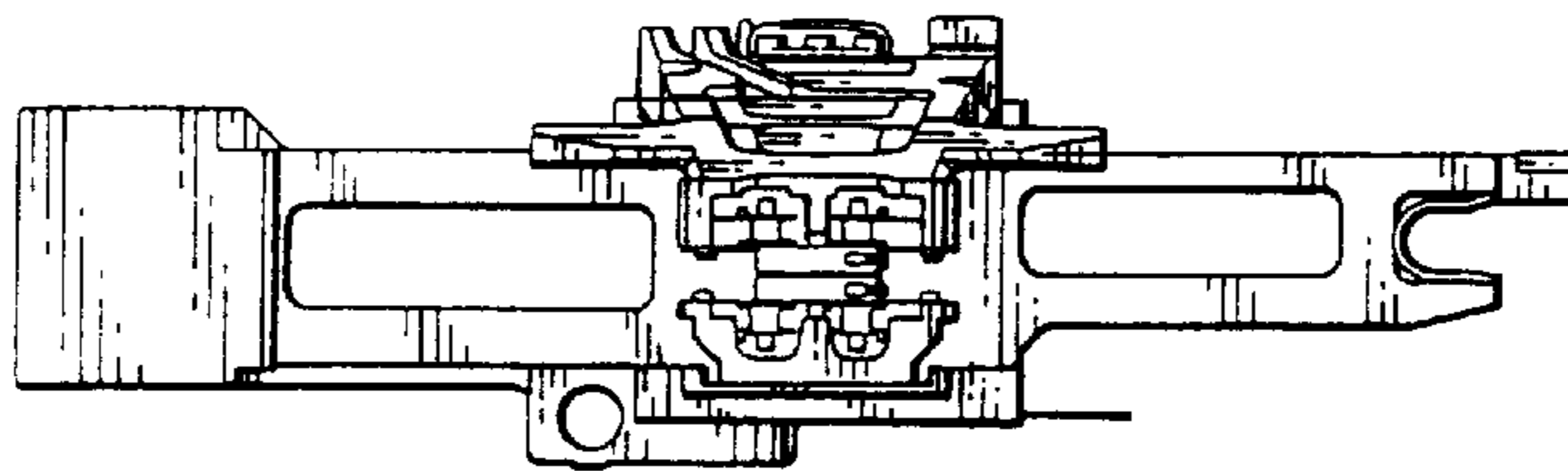


FIG. 5

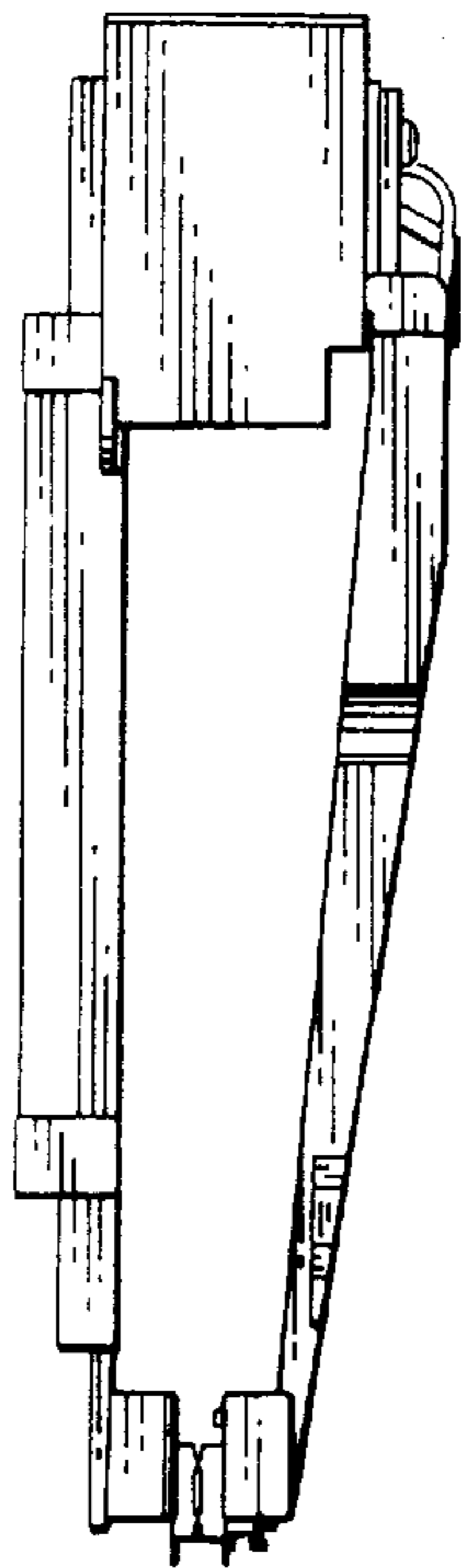


FIG. 6

