



US00D437844S

(12) **United States Design Patent**
Sayers et al.

(10) **Patent No.:** **US D437,844 S**

(45) **Date of Patent:** **** Feb. 20, 2001**

(54) **TRANSCEIVER BASE**

(75) **Inventors:** **Ian Leslie Sayers**, Redwood City;
Michael Allan Neiman, Santa Rosa;
Richard William Benner, Fremont, all
of CA (US)

(73) **Assignee:** **Cisco Systems, Inc.**, San Jose, CA (US)

(**) **Term:** **14 Years**

(21) **Appl. No.:** **29/112,096**

(22) **Filed:** **Oct. 8, 1999**

(51) **LOC (7) Cl.** **14-03**

(52) **U.S. Cl.** **D14/240; D14/358; D14/137**

(58) **Field of Search** D14/137, 140,
D14/142, 358, 155, 159, 240, 242, 241,
308, 310, 311, 312; 379/419, 420, 428,
440, 399, 412; 455/550-575, 90; D13/184,
133, 152, 123, 179; 361/704, 722, 726,
801, 688

(56) **References Cited**

U.S. PATENT DOCUMENTS

| | | | | | |
|------------|---|---------|------------------|-------|---------|
| D. 287,718 | * | 1/1987 | Moeller | | D13/123 |
| D. 292,914 | * | 11/1987 | Moeller | | D13/123 |
| D. 336,074 | * | 6/1993 | Friend et al. | | D13/184 |
| D. 379,088 | * | 5/1997 | Hopper | | D13/152 |
| D. 395,897 | * | 7/1998 | Honma et al. | | D14/240 |
| D. 398,295 | * | 9/1998 | Chang | | D14/114 |
| D. 416,873 | * | 11/1999 | Korsunsky et al. | | D13/184 |
| 3,421,578 | * | 1/1969 | Marton | | 165/186 |
| 4,541,004 | * | 9/1985 | Moore | | 257/706 |

| | | | | | |
|-----------|---|---------|-----------------|-------|----------|
| 5,065,278 | * | 11/1991 | Schultz | | 361/688 |
| 5,150,278 | * | 9/1992 | Lynes et al. | | 361/690 |
| 5,276,585 | * | 1/1994 | Smithers | | 361/704 |
| 5,369,301 | * | 11/1994 | Hayashi et al. | | 257/722 |
| 5,396,402 | * | 3/1995 | Perugini et al. | | 361/704 |
| 5,421,406 | * | 6/1995 | Furusawa et al. | | 165/185 |
| 5,435,384 | * | 7/1995 | Wu | | 165/185 |
| 5,594,624 | * | 1/1997 | Clemens et al. | | 361/704 |
| 5,600,540 | * | 2/1997 | Blomquist | | 361/704 |
| 5,771,468 | * | 6/1998 | Stein | | 455/561 |
| 6,008,750 | * | 12/1999 | Cottle et al. | | 342/42 |
| 6,065,530 | * | 5/2000 | Austin et al. | | 165/80.3 |

* cited by examiner

Primary Examiner—Jeffrey Asch

(74) *Attorney, Agent, or Firm*—Hamilton, Brook, Smith & Reynolds, P.C.

(57) **CLAIM**

The ornamental design for transceiver base, as shown and described.

DESCRIPTION

FIG. 1 is a front perspective view of the transceiver base showing my the new design.

FIG. 2 is a back perspective view of the transceiver base.

FIG. 3 is a front view of the transceiver base.

FIG. 4 is a back view of the transceiver base.

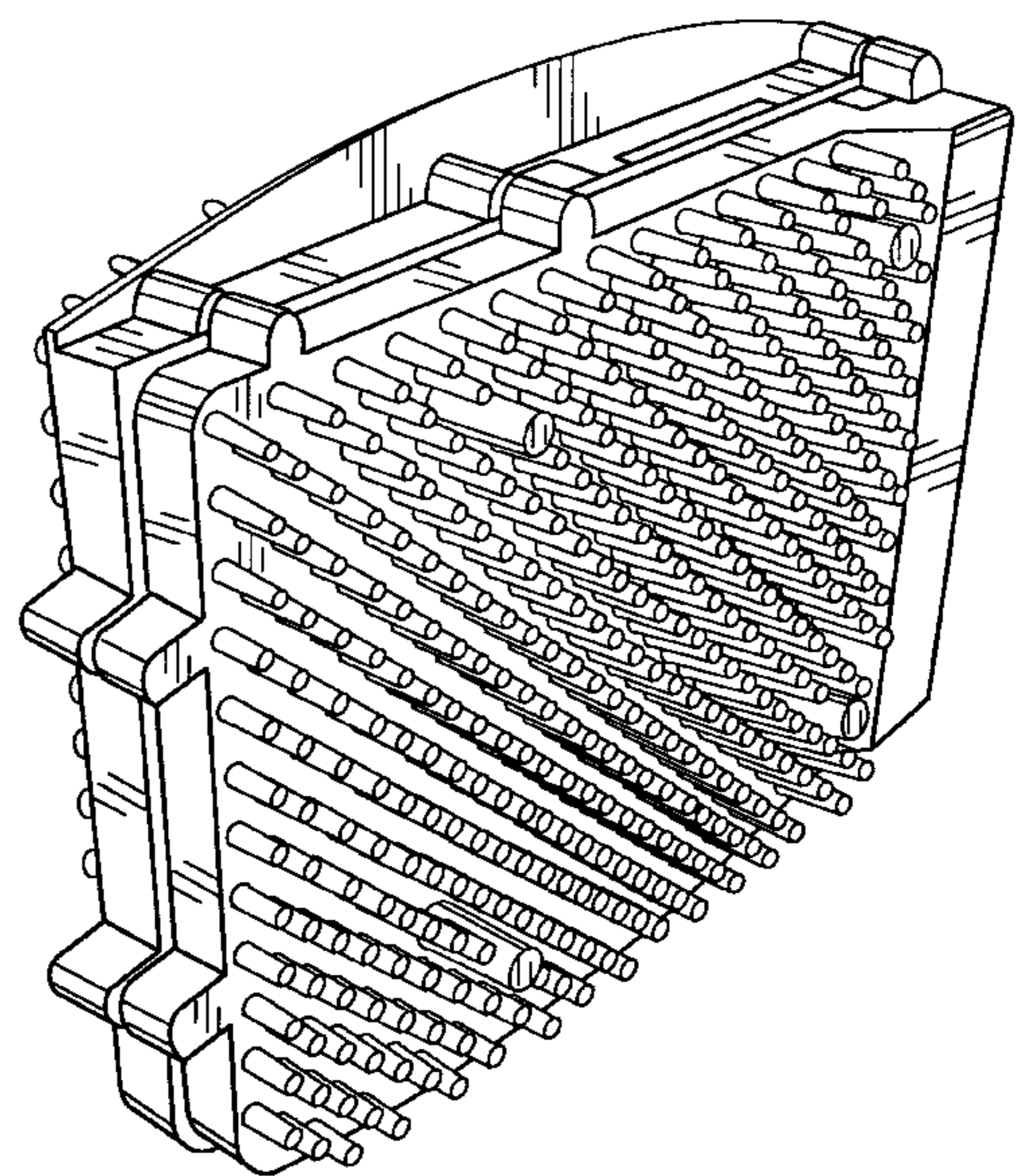
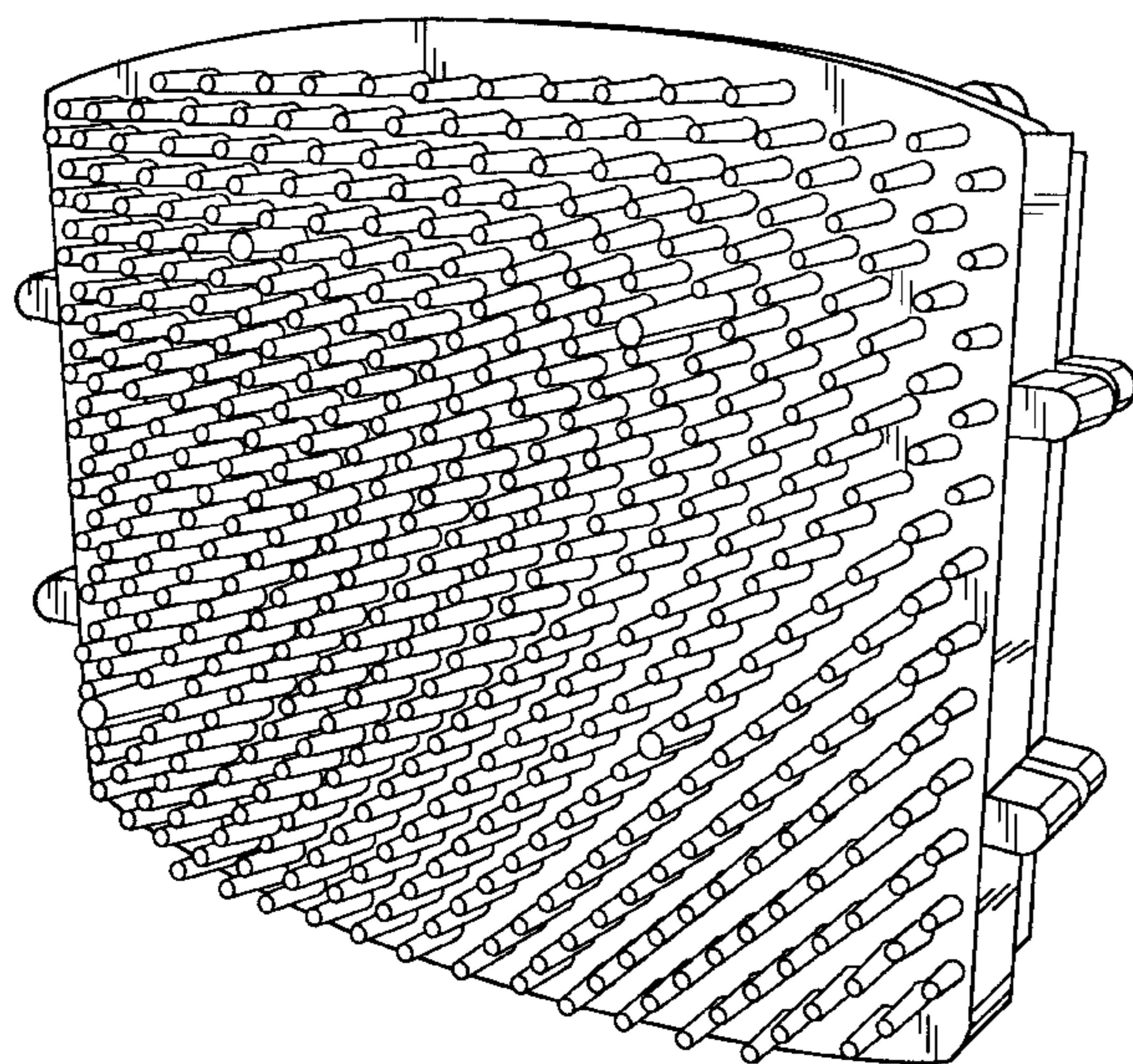
FIG. 5 is a top plan view of the transceiver base.

FIG. 6 is a left side view of the transceiver base.

FIG. 7 is a right side view of the transceiver base; and,

FIG. 8 is a bottom plan view of the transceiver base.

1 Claim, 5 Drawing Sheets



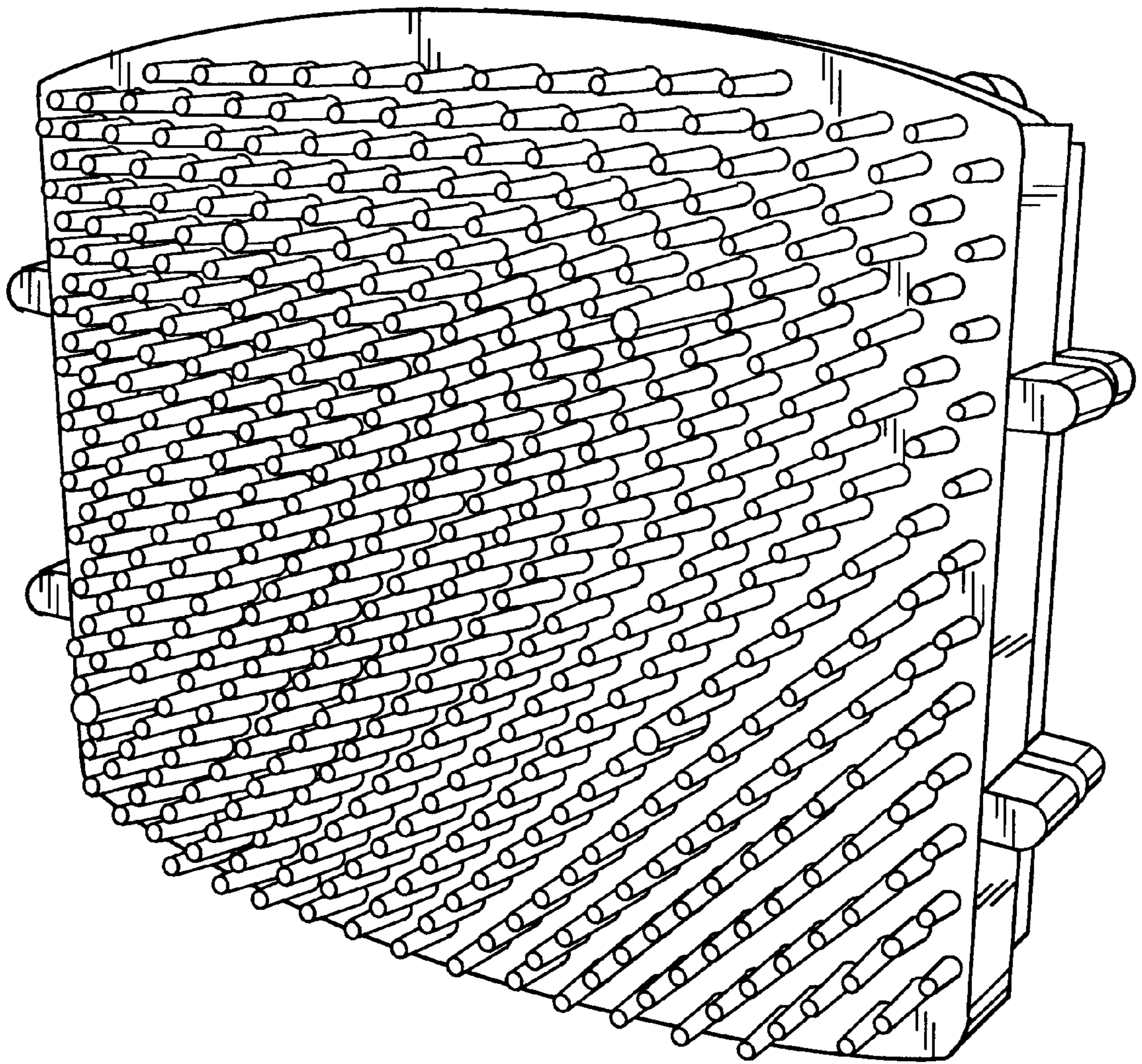


FIG. 1

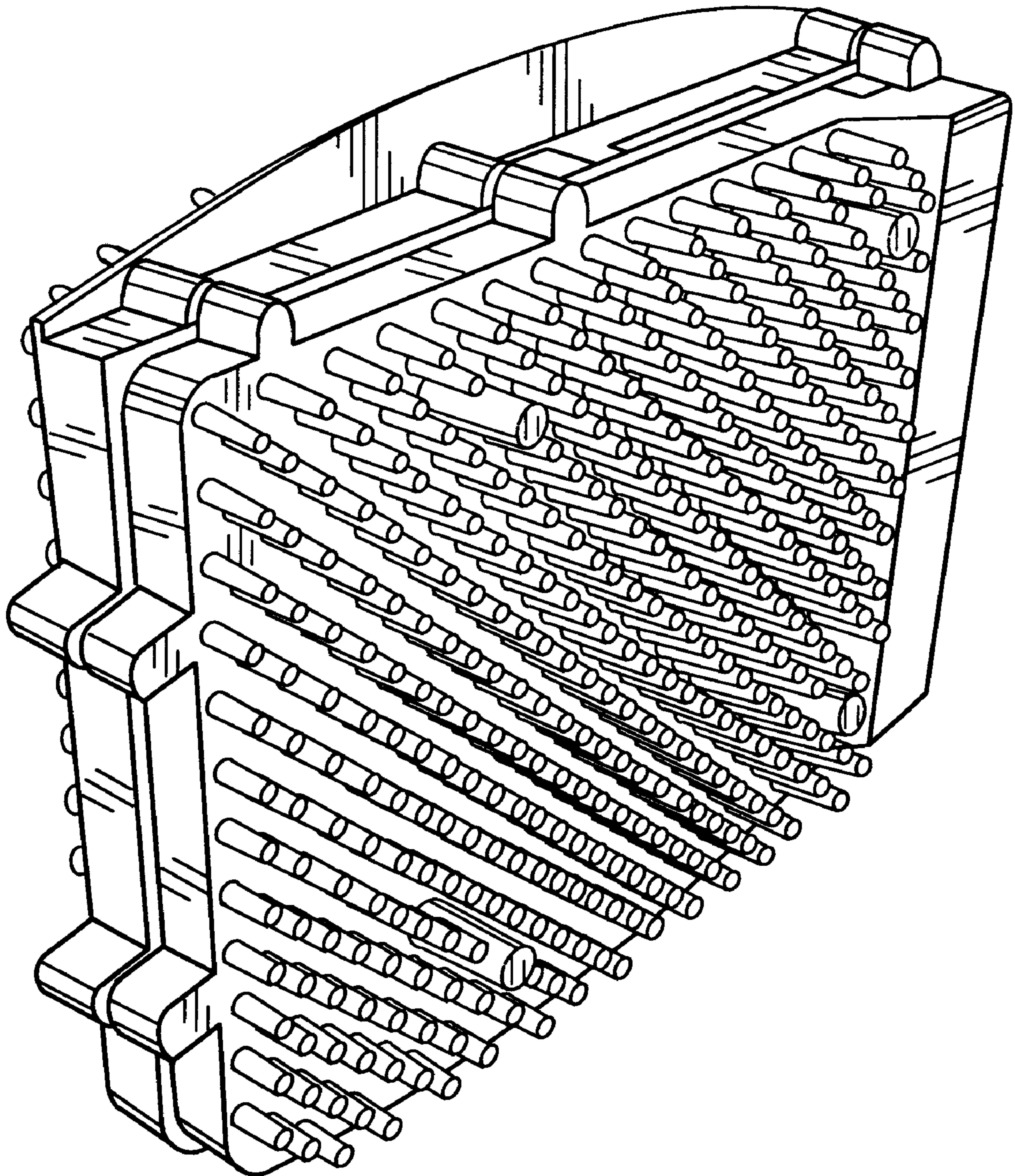


FIG. 2

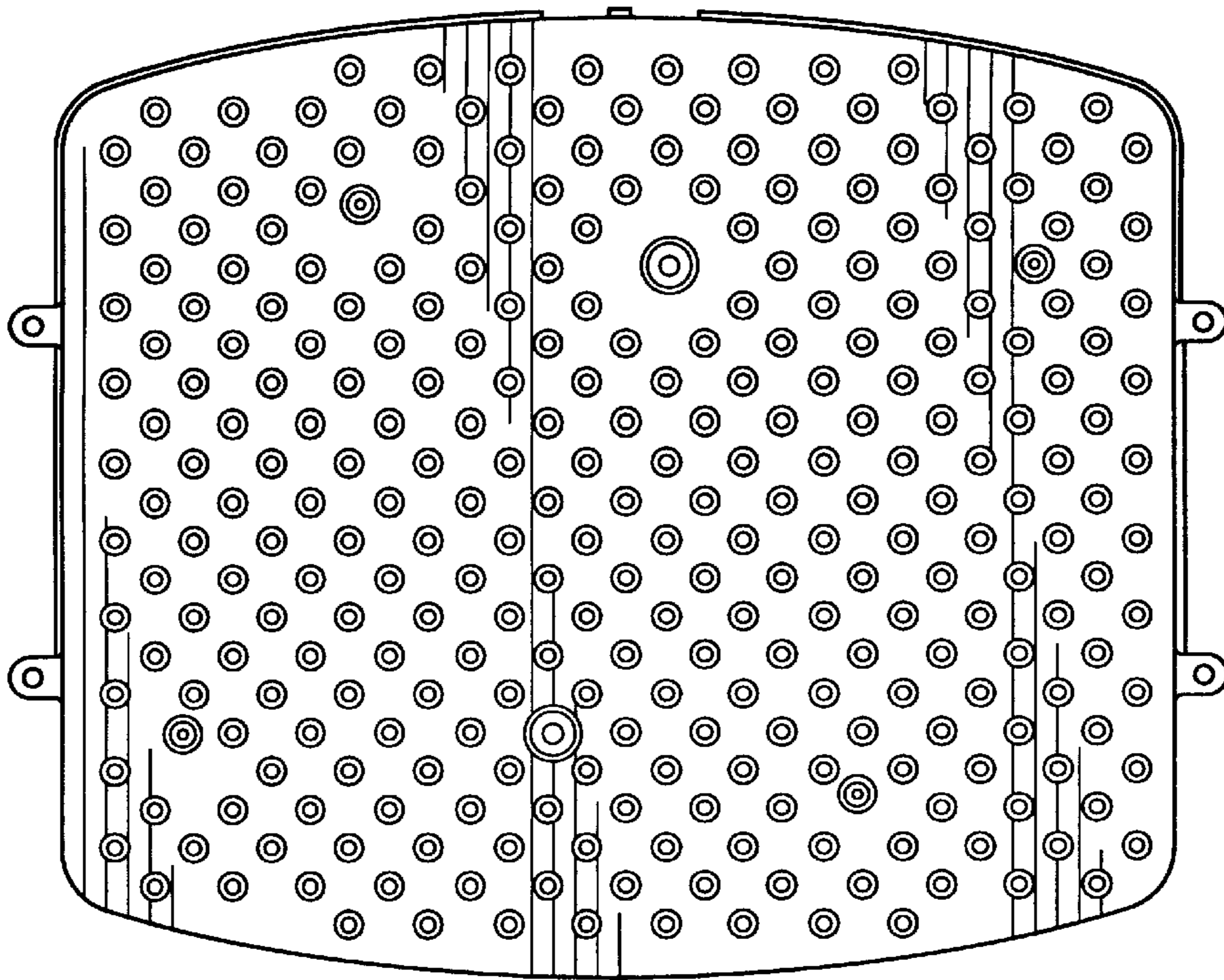


FIG. 3

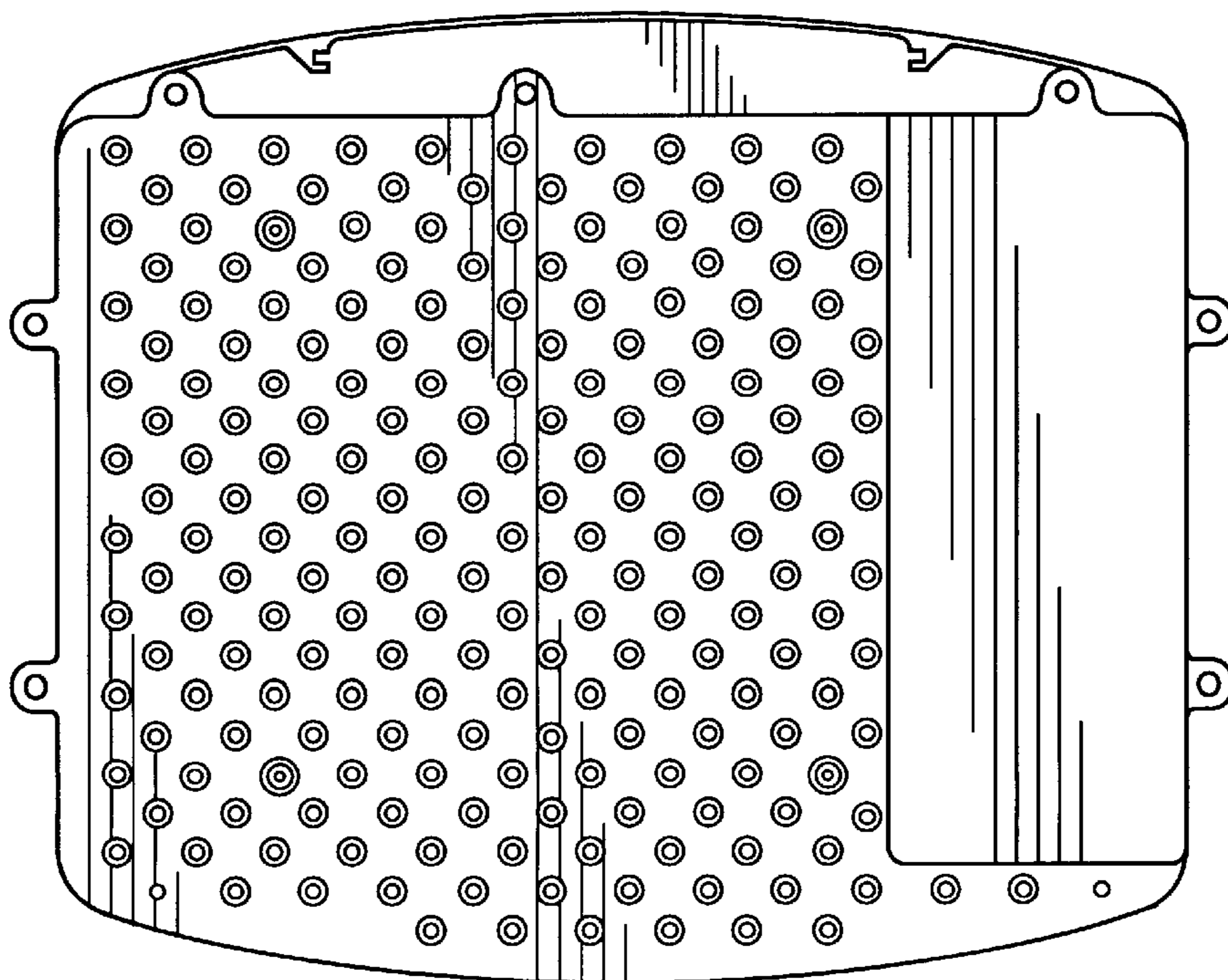


FIG. 4

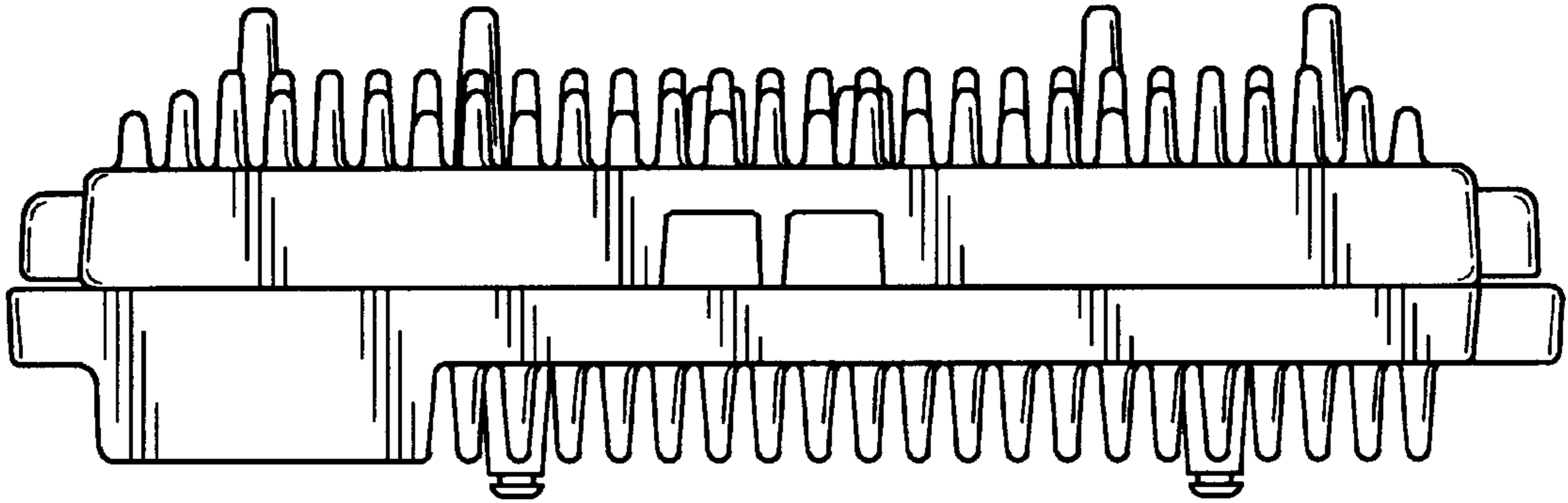


FIG. 5

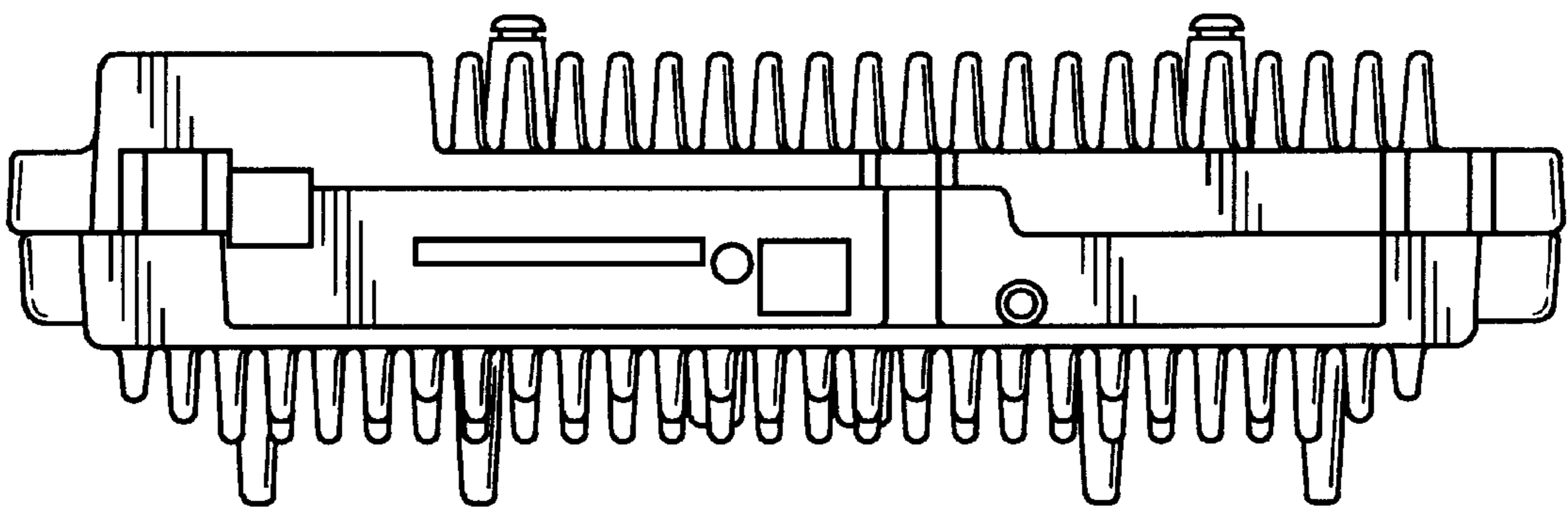


FIG. 8

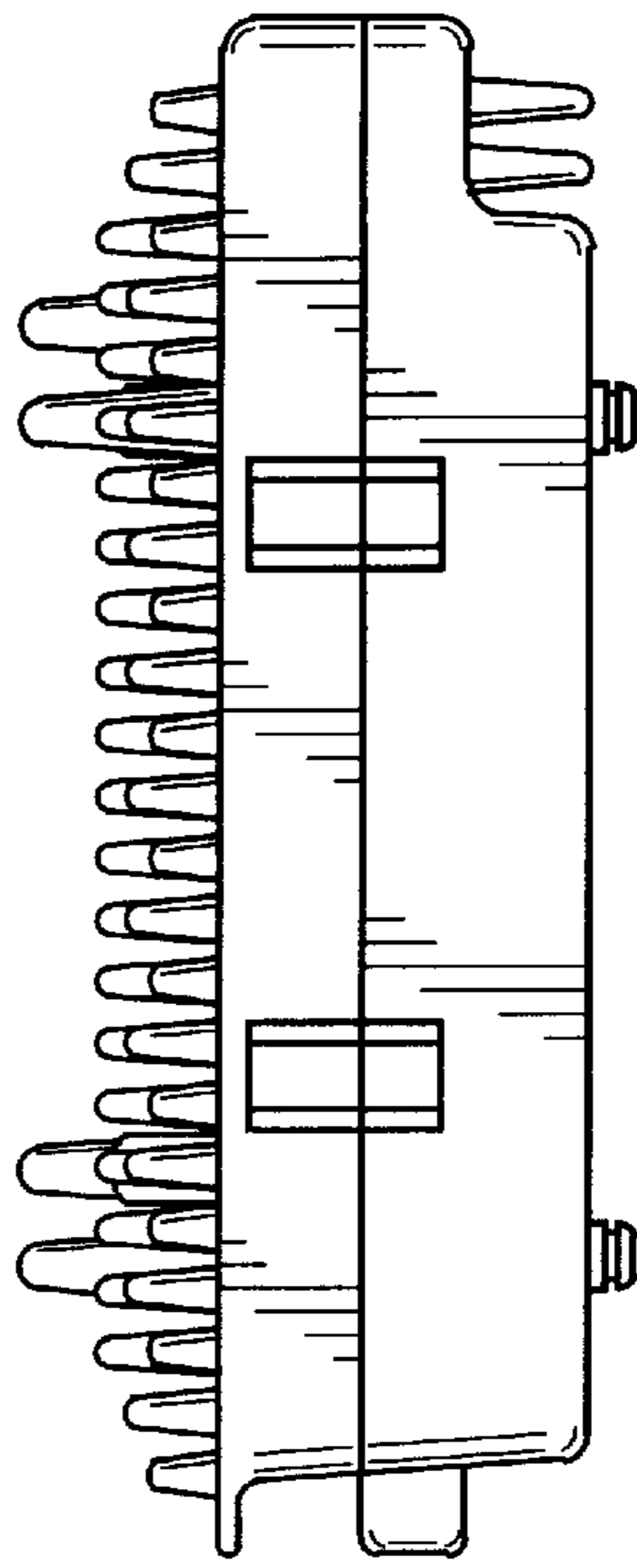


FIG. 6

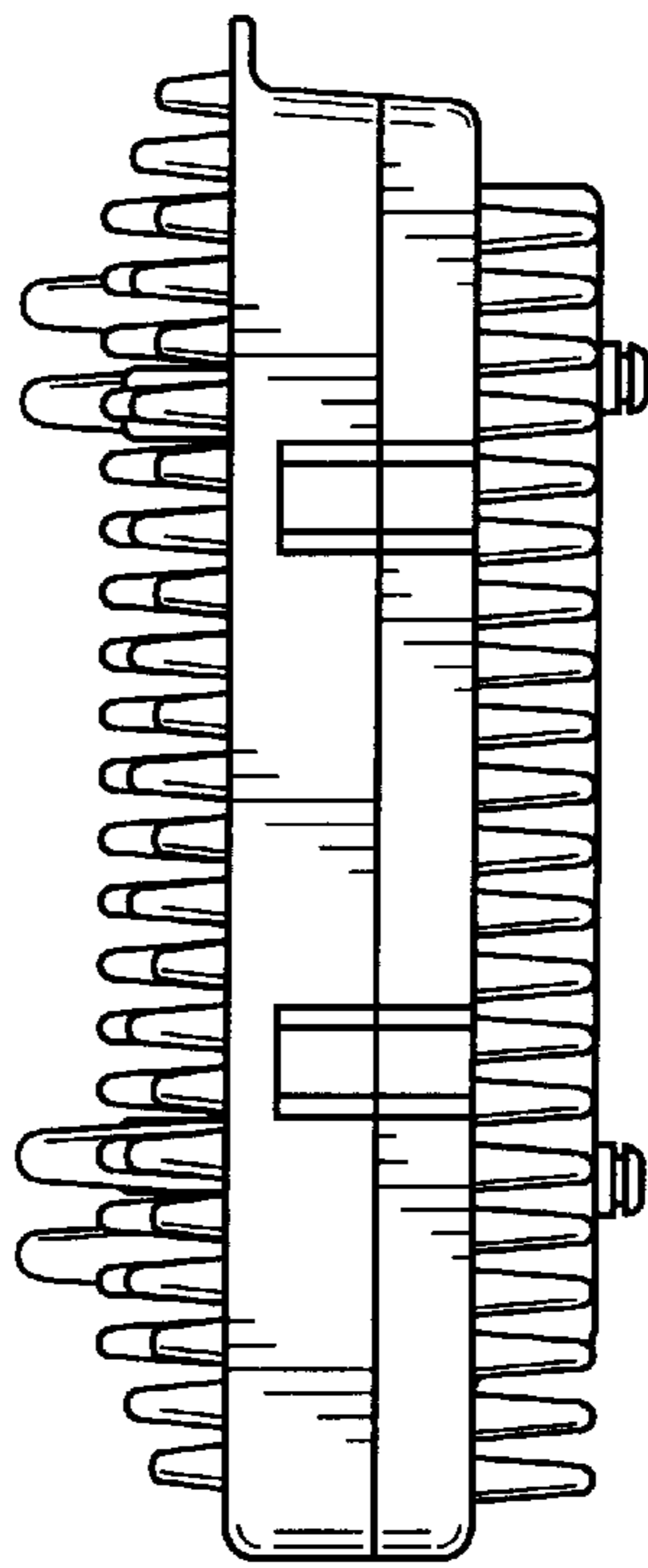


FIG. 7

UNITED STATES PATENT AND TRADEMARK OFFICE
CERTIFICATE OF CORRECTION

PATENT NO. : Des 437,844 S

Page 1 of 1

DATED : February 20, 2001

INVENTOR(S) : Ian Leslie Sayers, Michael Allan Neiman and Richard William Benner

It is certified that error appears in the above-identified patent and that said Letters Patent is hereby corrected as shown below:

Description,

Line 2, delete "my".

Signed and Sealed this

Sixth Day of November, 2001

Attest:

Nicholas P. Godici

Attesting Officer

NICHOLAS P. GODICI
Acting Director of the United States Patent and Trademark Office