



US00D437843S

(12) **United States Design Patent**
Masui

(10) **Patent No.:** **US D437,843 S**

(45) **Date of Patent:** **** Feb. 20, 2001**

(54) **SPEAKER BOX**

(75) Inventor: **Kirio Masui**, Tokyo (JP)

(73) Assignee: **Sony Corporation** (JP)

(**) Term: **14 Years**

(21) Appl. No.: **29/105,326**

(22) Filed: **May 21, 1999**

(30) **Foreign Application Priority Data**

Dec. 1, 1998 (JP) 10-34528

(51) **LOC (7) Cl.** **14-01**

(52) **U.S. Cl.** **D14/215; D14/211; D14/216**

(58) **Field of Search** D14/204, 207,
D14/210-216; 181/144-148, 153, 157,
198-199; 381/300-302, 307, 359, 361,
363, 386

(56) **References Cited**

U.S. PATENT DOCUMENTS

D. 359,050 * 6/1995 Deguchi D14/210
D. 391,574 * 3/1998 Chen D14/214 X

OTHER PUBLICATIONS

PC and Mac connections, p. 127, Speaker, Jun. 1995.*
Catalog "88", p. 155, Sony (Mar. 1998).

Catalog "Telaffy No. 18", 3 sheets, Sony (Jul. 1998).
Catalog "90", p. 157-159, Sony (Nov. 1998).

* cited by examiner

Primary Examiner—Nanda Bondade

(74) *Attorney, Agent, or Firm*—Rader, Fishman & Grauer

(57) **CLAIM**

The ornamental design for a speaker box, as shown and described.

DESCRIPTION

FIG. 1 is a perspective view of a speaker box showing my new design;

FIG. 2 is a top plan view thereof;

FIG. 3 is a left side elevational view thereof;

FIG. 4 is a front elevational view thereof;

FIG. 5 is a right side elevational view thereof;

FIG. 6 is a rear elevational view thereof; and,

FIG. 7 is a bottom plan view thereof.

1 Claim, 3 Drawing Sheets

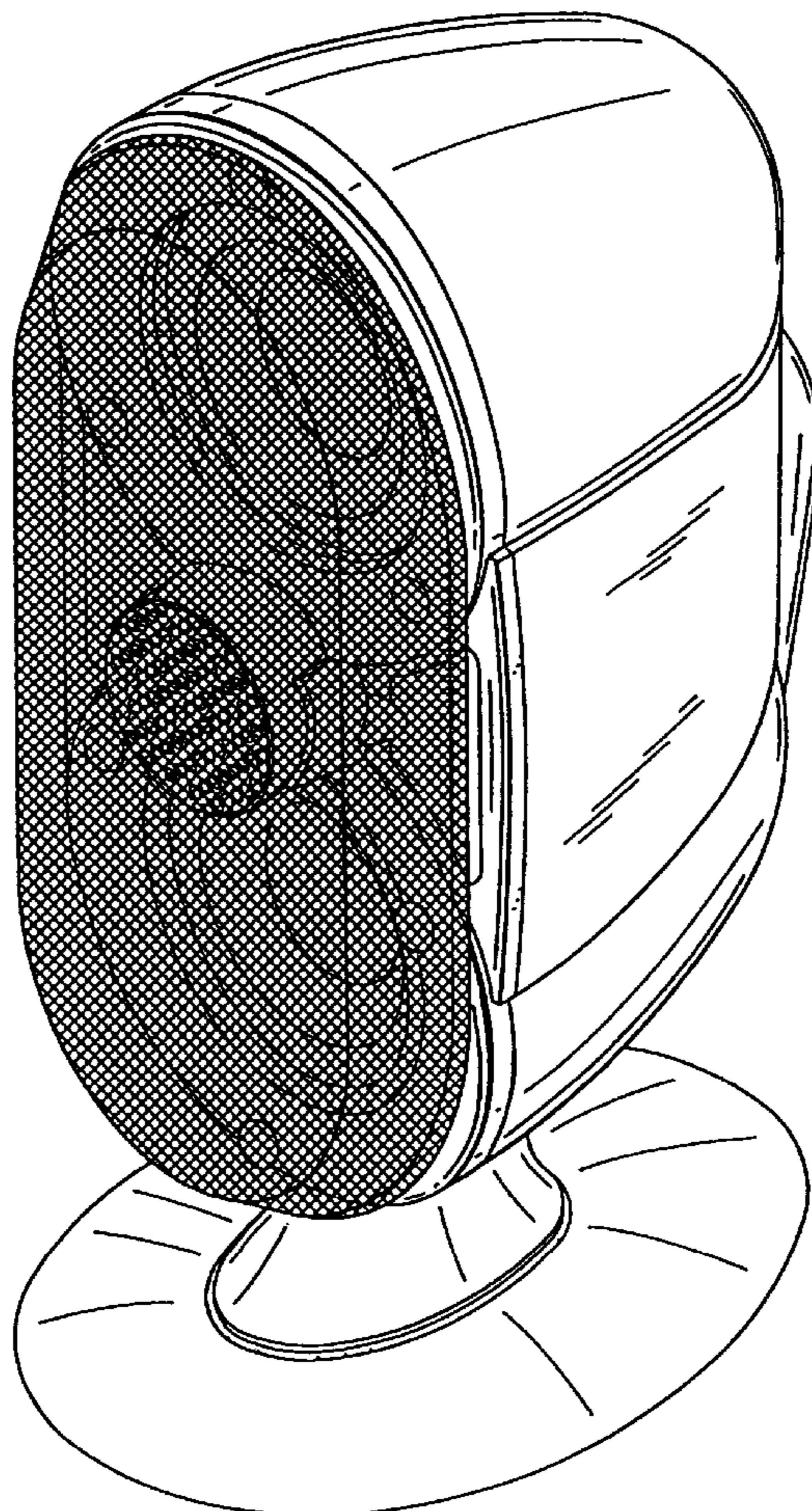


FIG. 1

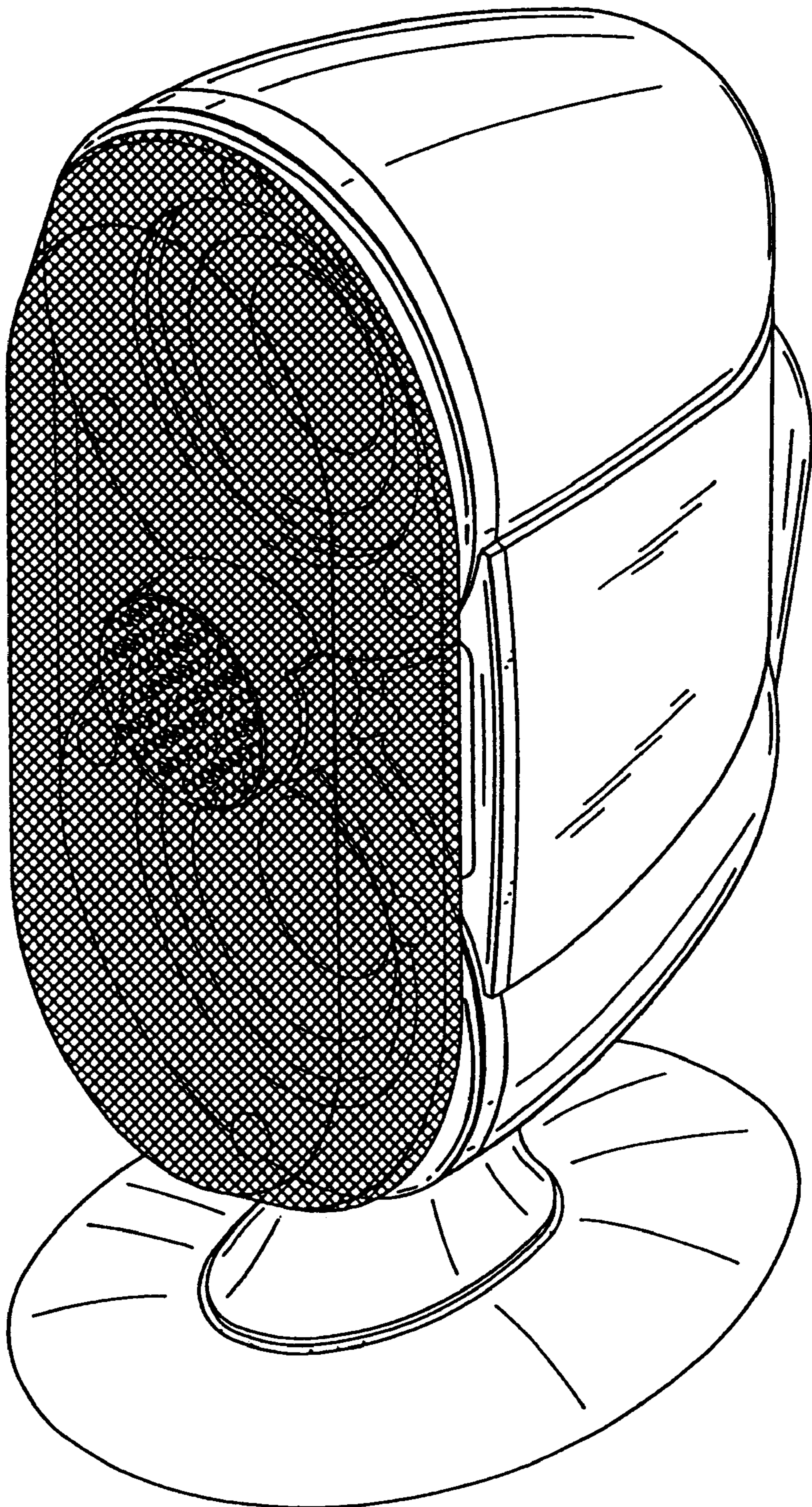


FIG. 2

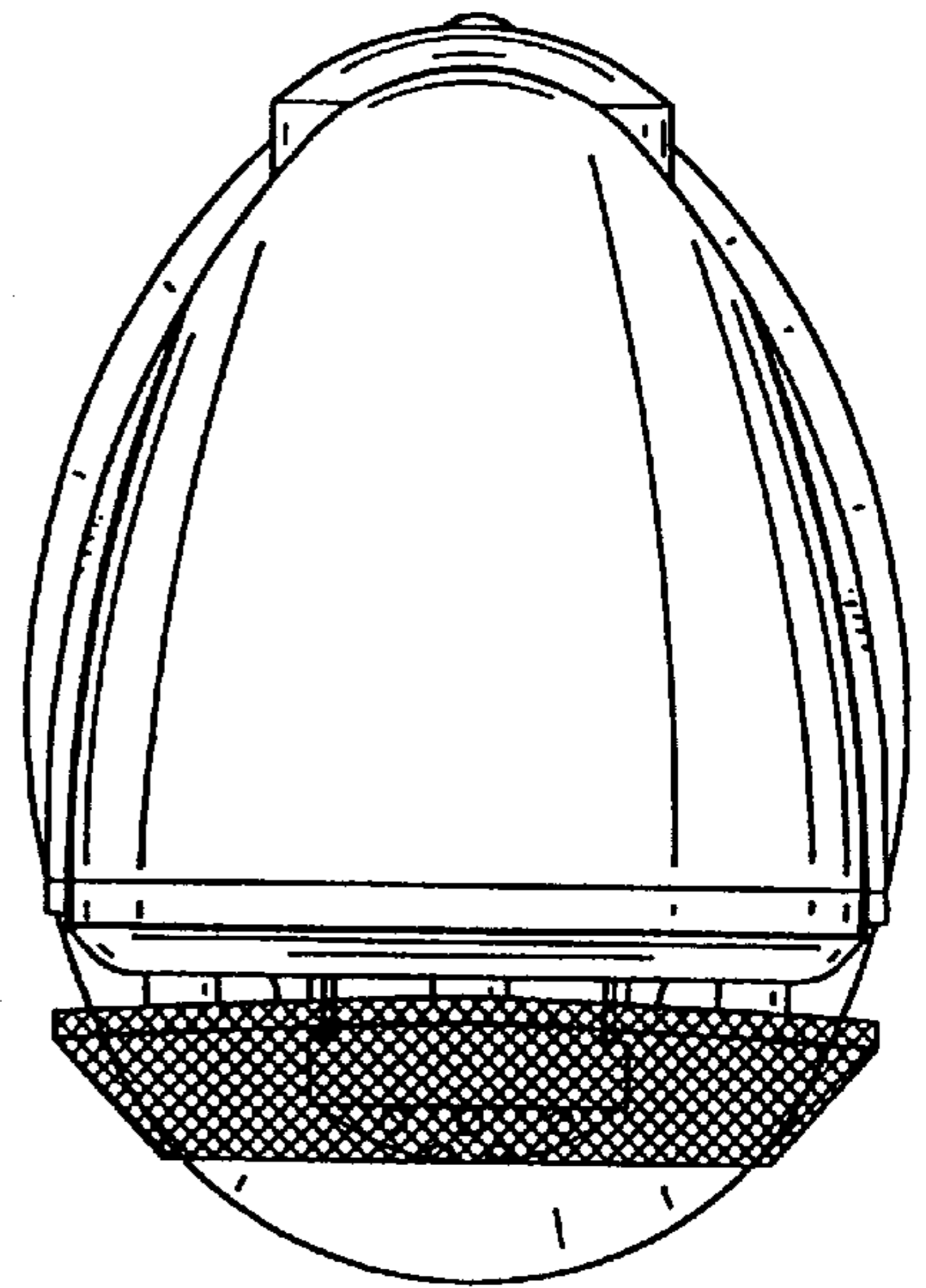


FIG. 3

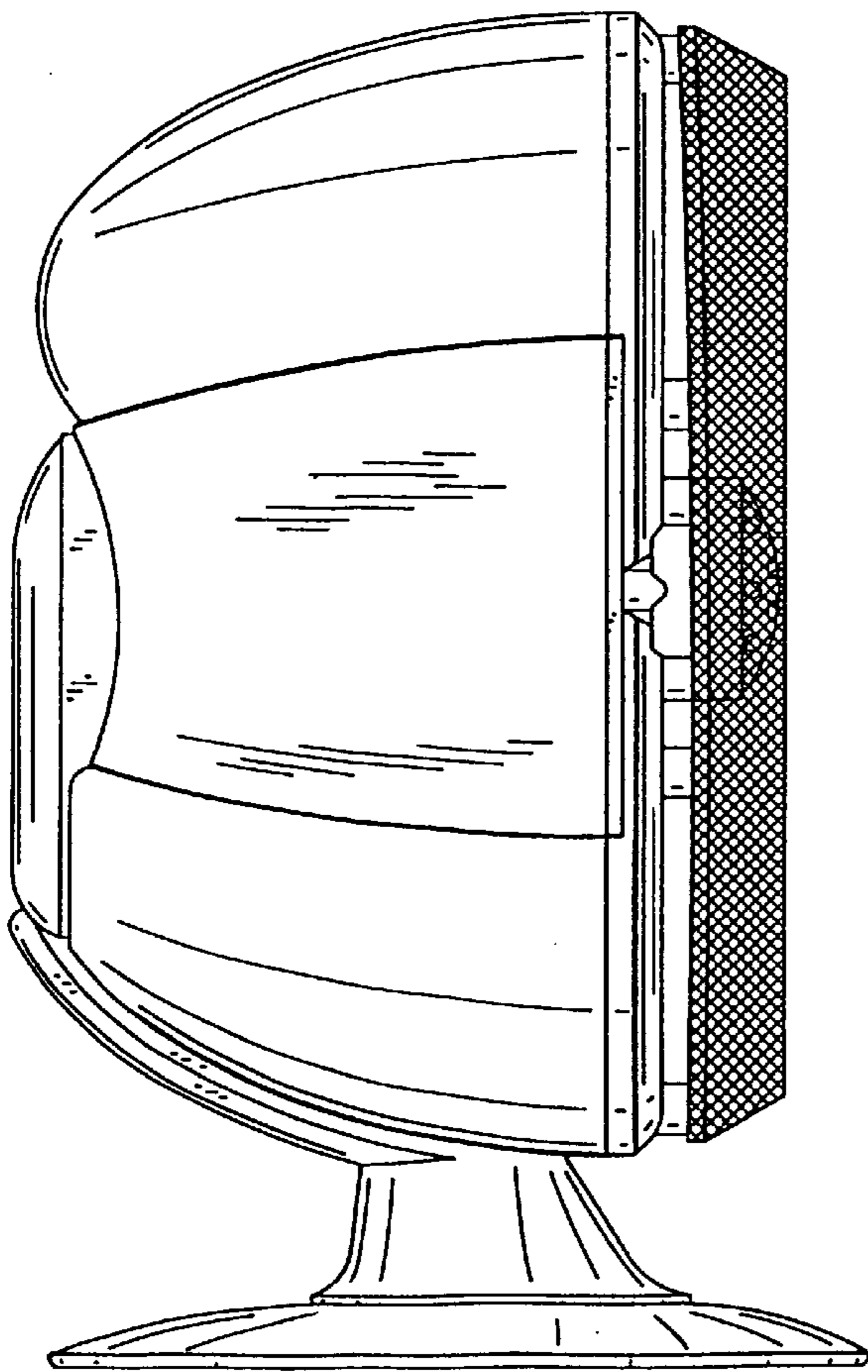


FIG. 4

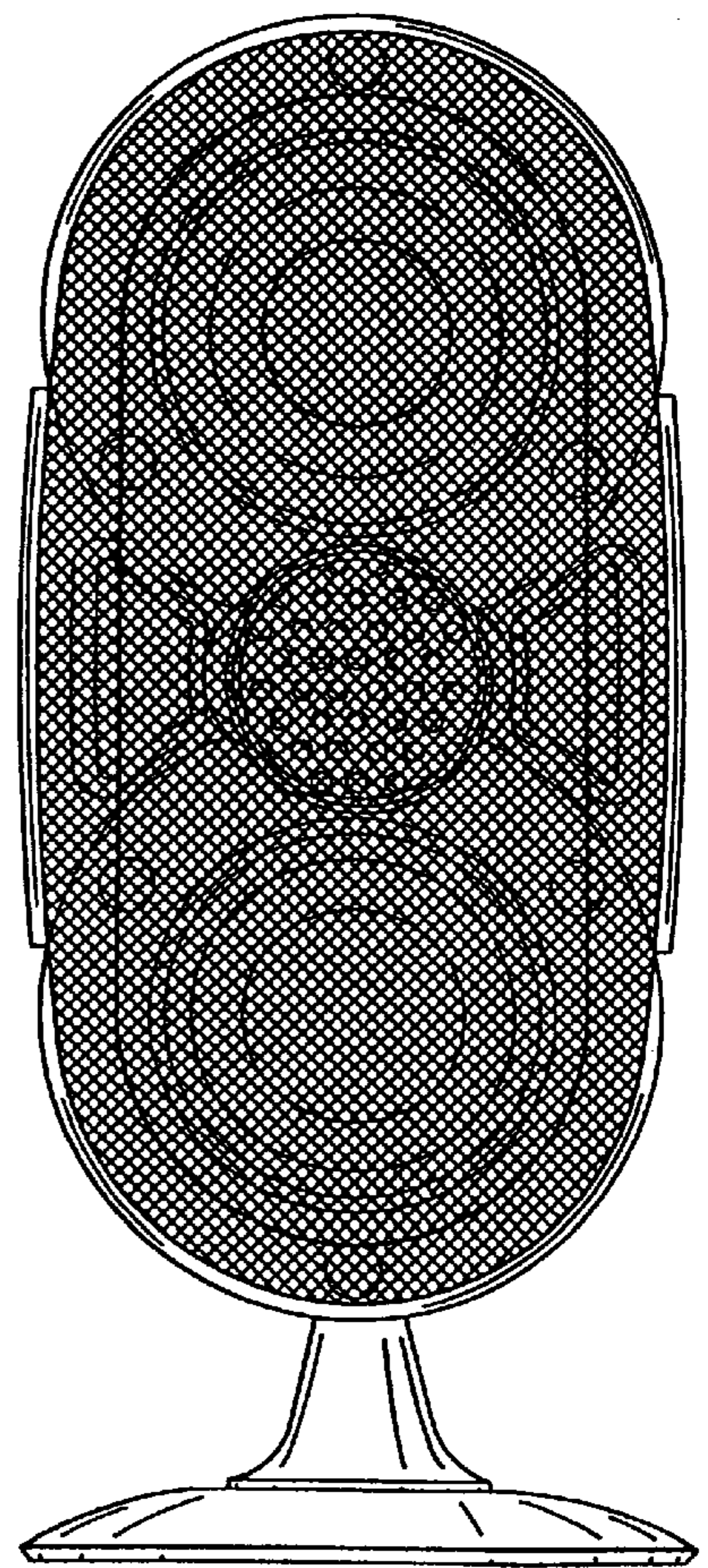


FIG. 5

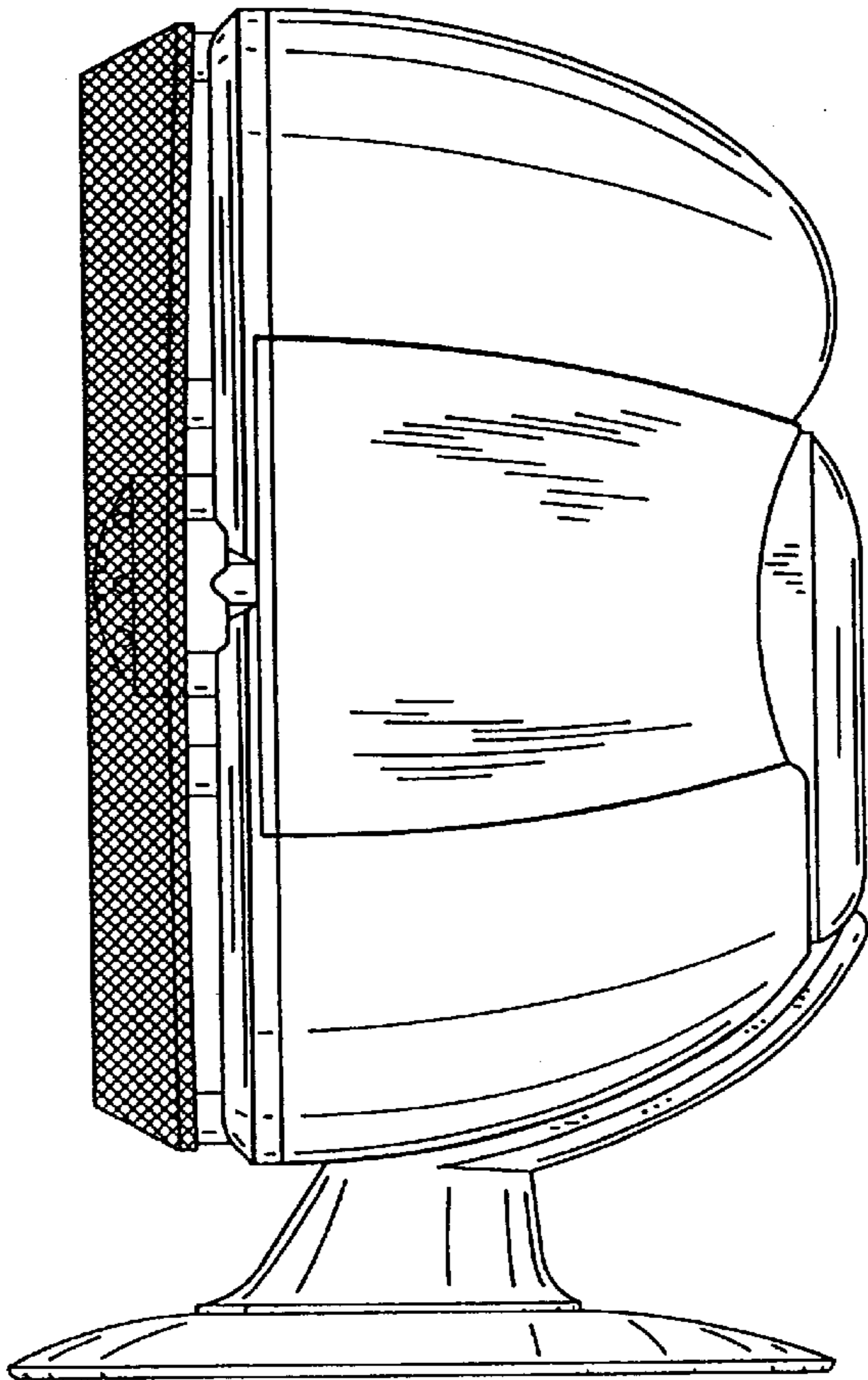


FIG. 6

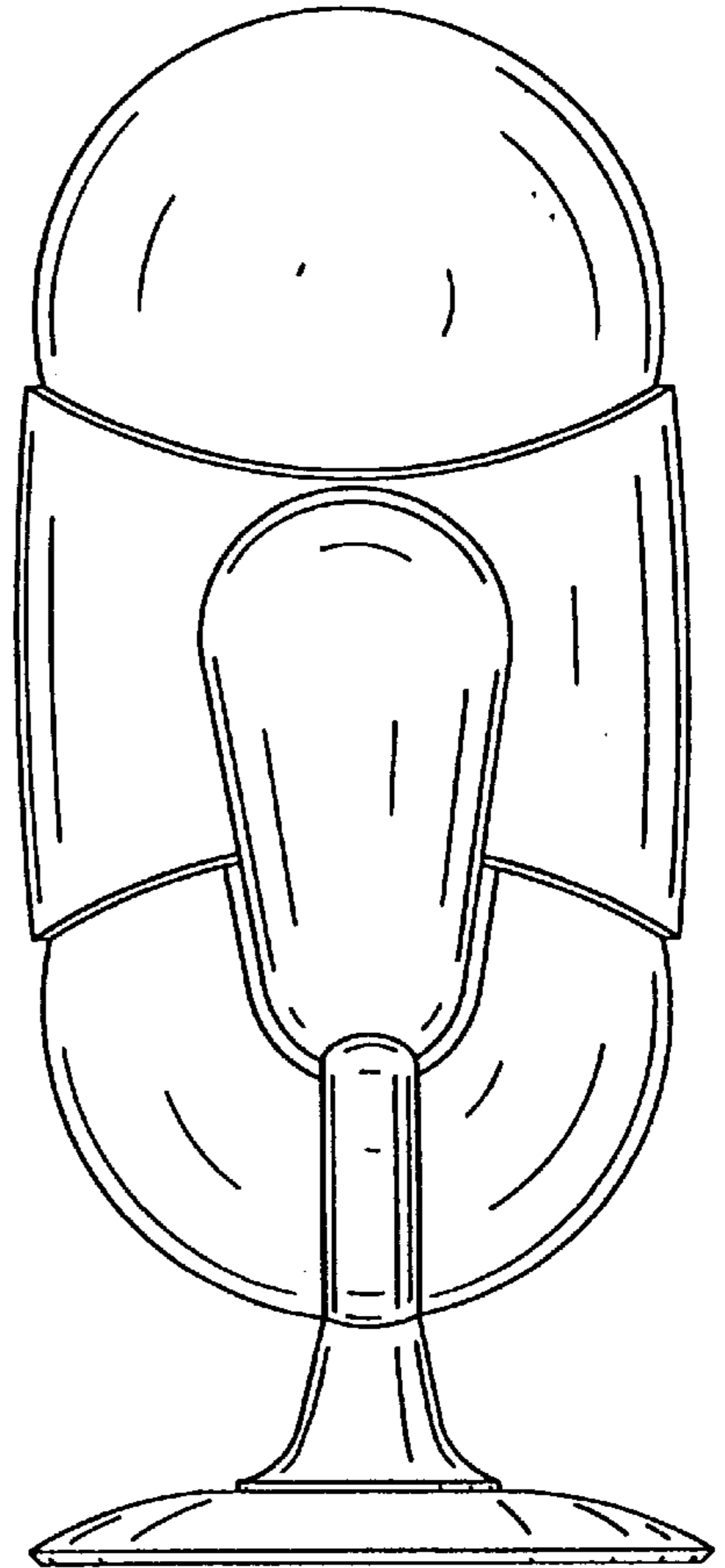


FIG. 7

