



US00D437841S

(12) **United States Design Patent**
Kakizaki et al.

(10) **Patent No.:** **US D437,841 S**

(45) **Date of Patent:** **** Feb. 20, 2001**

(54) **DISK PLAYER FOR VEHICLE**

(75) Inventors: **Shigeyuki Kakizaki; Hirohisa Tanaka,**
both of Tokyo (JP)

(73) Assignee: **Sony Corporation (JP)**

(**) Term: **14 Years**

(21) Appl. No.: **29/090,060**

(22) Filed: **Jun. 29, 1998**

(30) **Foreign Application Priority Data**

Dec. 29, 1997 (JP) 9-79129

(51) **LOC (7) Cl.** **14-03**

(52) **U.S. Cl.** **D14/157; D14/156**

(58) **Field of Search** D14/124, 135-136,
D14/156-157, 162, 164, 168, 193-198,
239, 257-260, 265, 299; 312/7.1; 369/75.1,
75.2, 77.1, 77.2; 455/6.1, 344, 347, 350,
351

(56) **References Cited**

U.S. PATENT DOCUMENTS

D. 351,167 * 10/1994 Yun D14/156

D. 367,275 * 2/1996 Ito et al. D14/188
D. 391,958 * 3/1998 Miyazawa et al. D14/156 X
5,177,730 * 1/1993 Utsugi 369/75.1

OTHER PUBLICATIONS

Sony Catalog 87, pp. 186-188 (Nov., 1997).*

* cited by examiner

Primary Examiner—Nanda Bondade

(74) *Attorney, Agent, or Firm*—Rader, Fishman & Grauer

(57) **CLAIM**

The ornamental design for a disk player for vehicle, as shown and described.

DESCRIPTION

FIG. 1 is a perspective view of a disk player for vehicle showing my new design;

FIG. 2 is a top plan view thereof;

FIG. 3 is a left side elevational view thereof;

FIG. 4 is a front elevational view thereof;

FIG. 5 is a bottom plan view thereof;

FIG. 6 is a right side elevational view thereof; and,

FIG. 7 is a rear elevational view thereof.

1 Claim, 3 Drawing Sheets

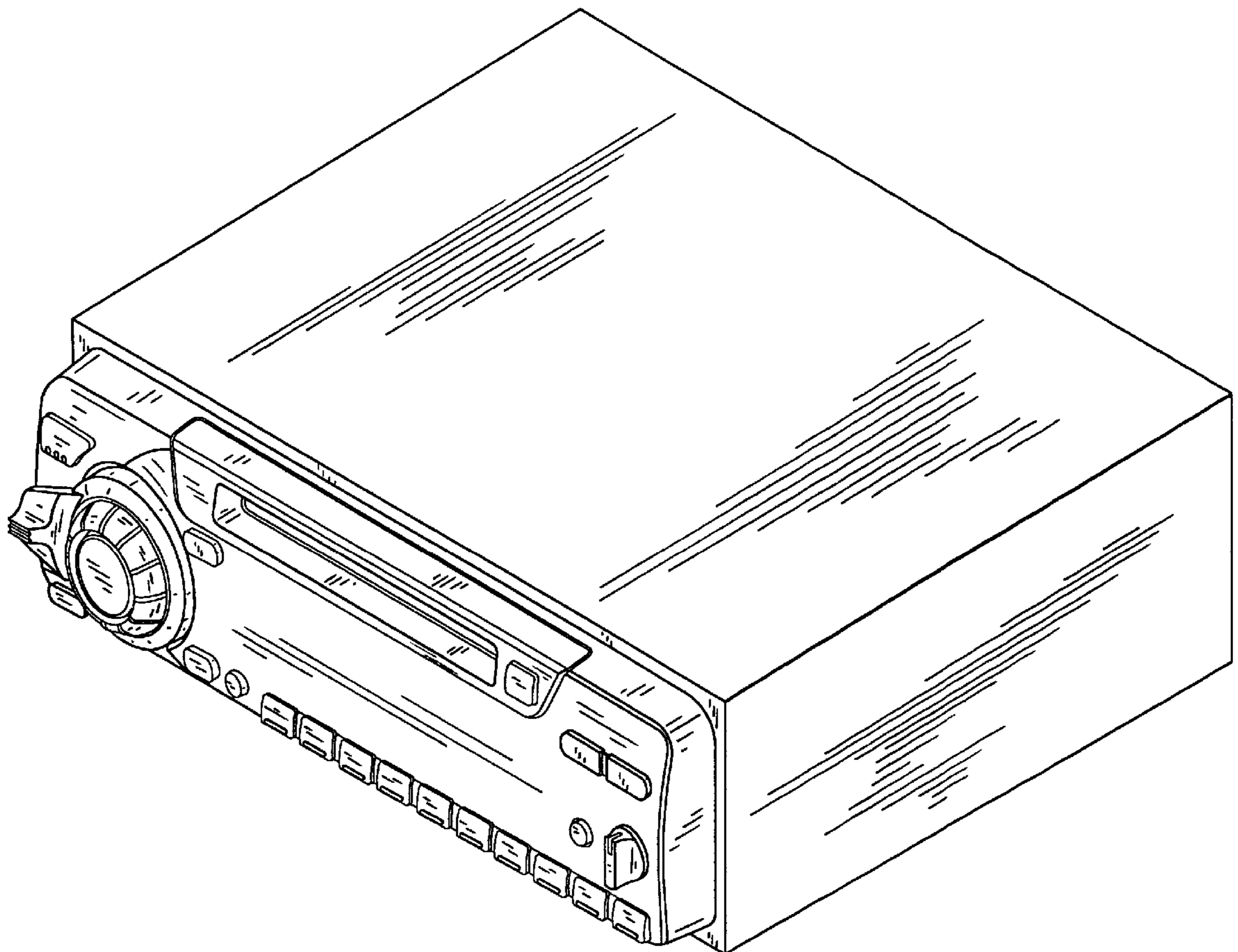


FIG. 1

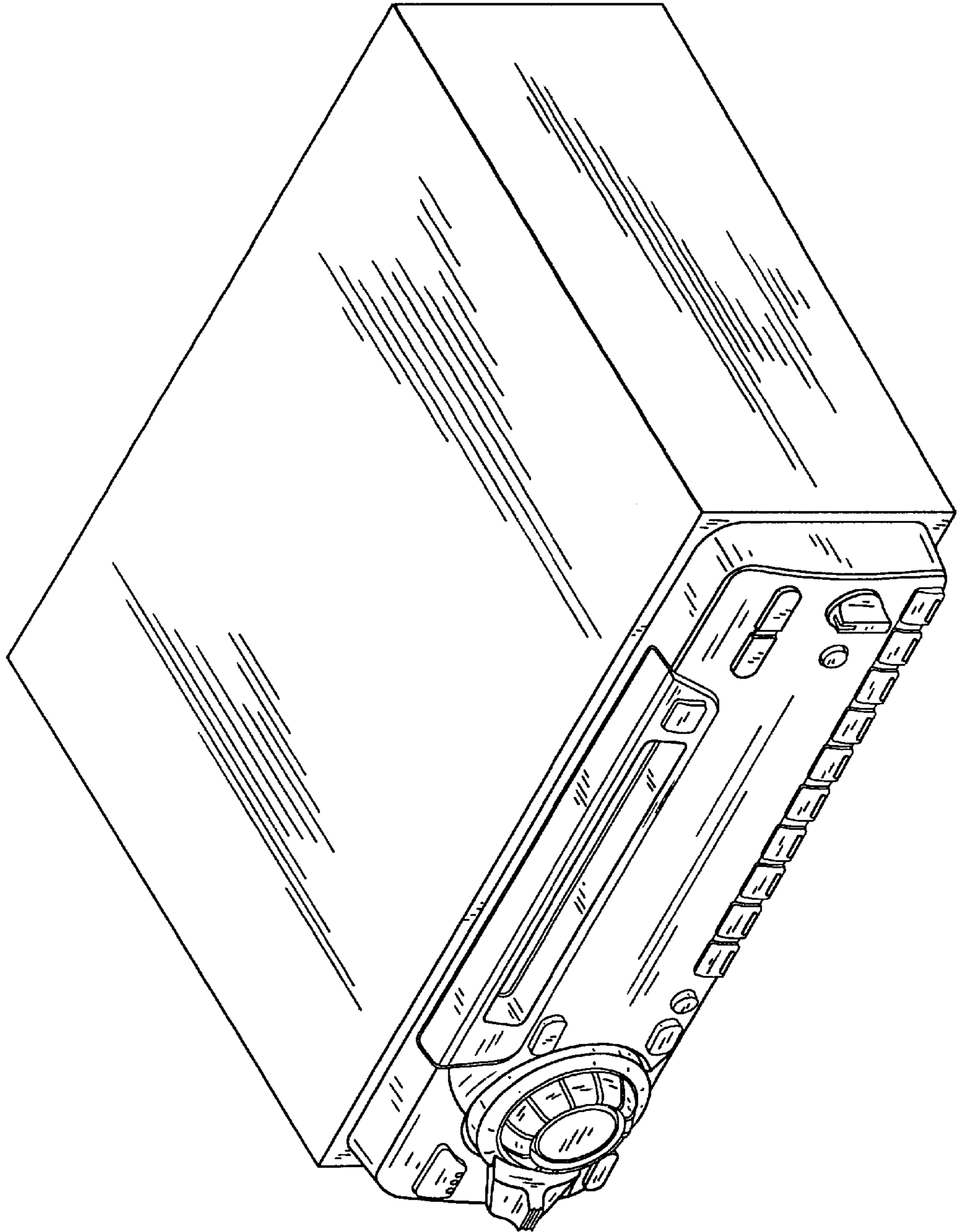


FIG. 3

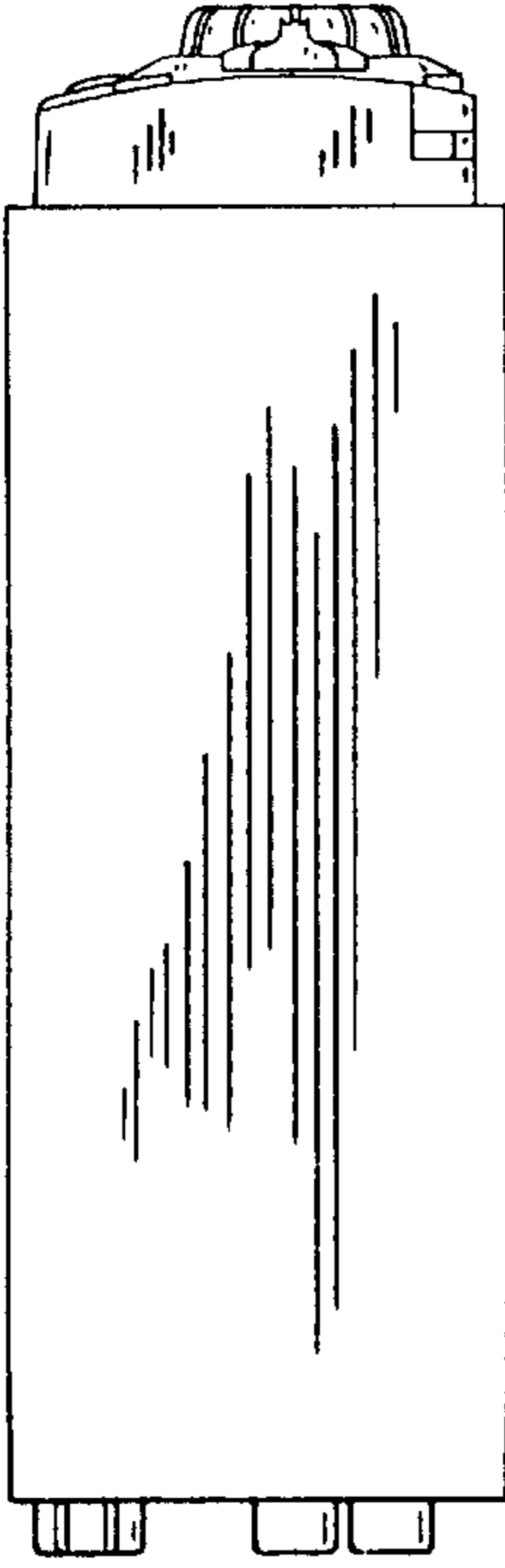


FIG. 2

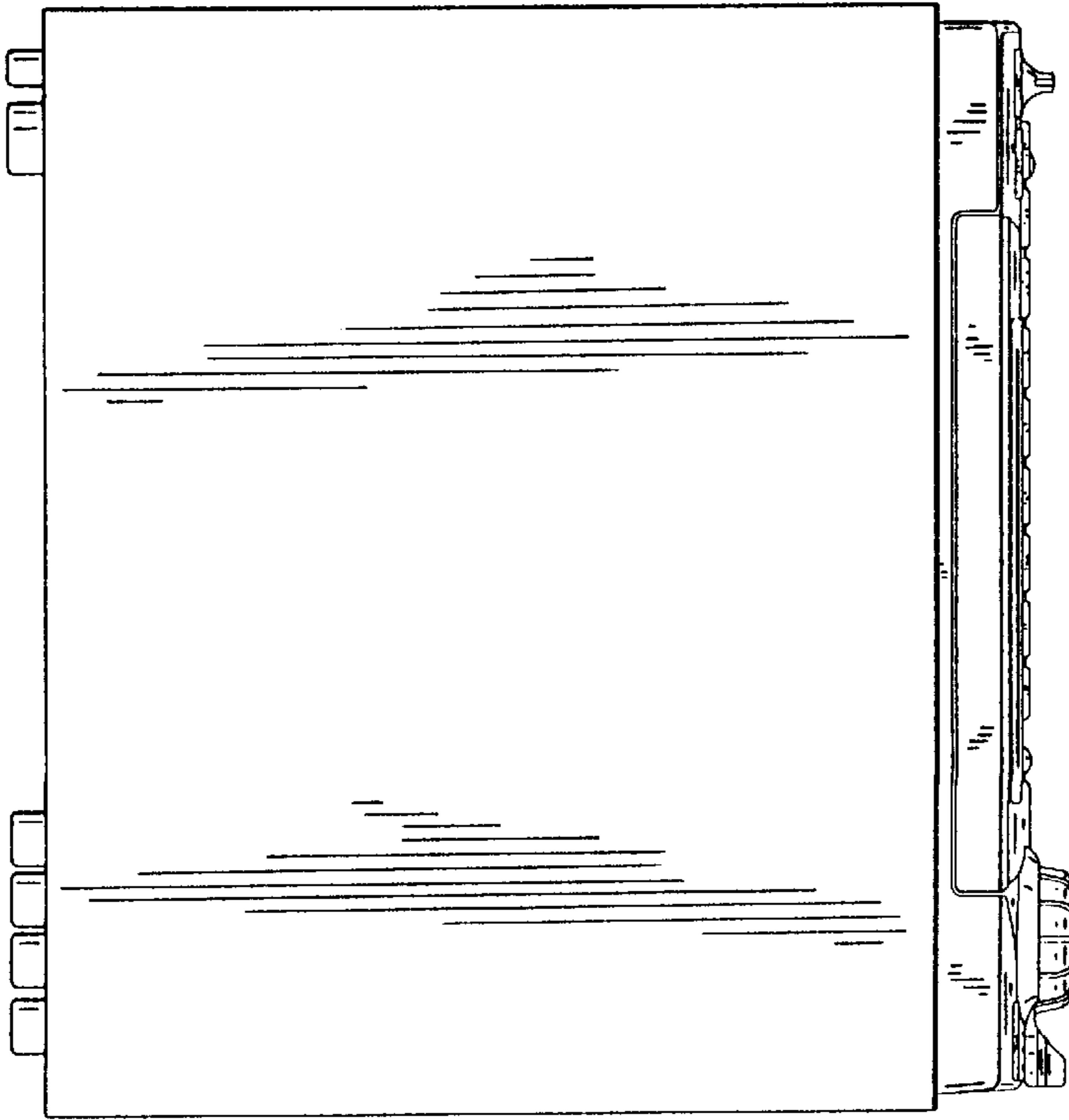


FIG. 4

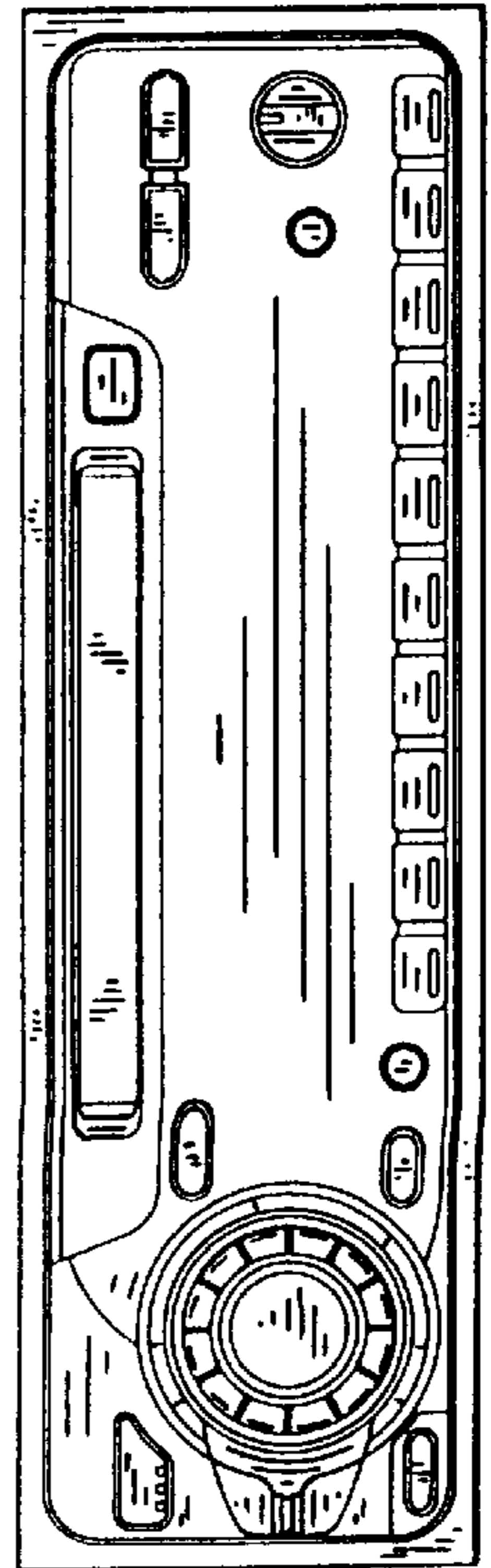


FIG. 5

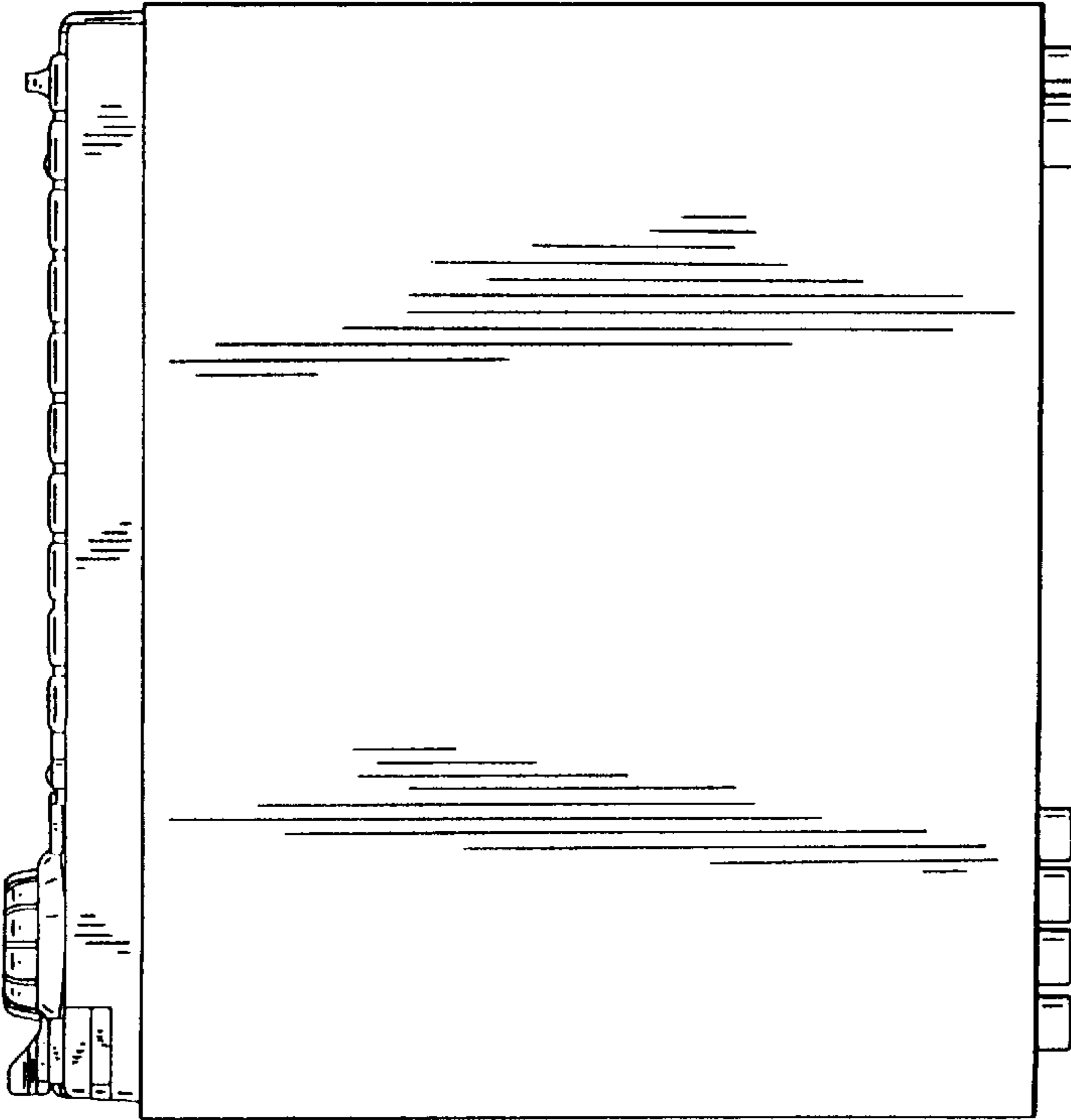


FIG. 6

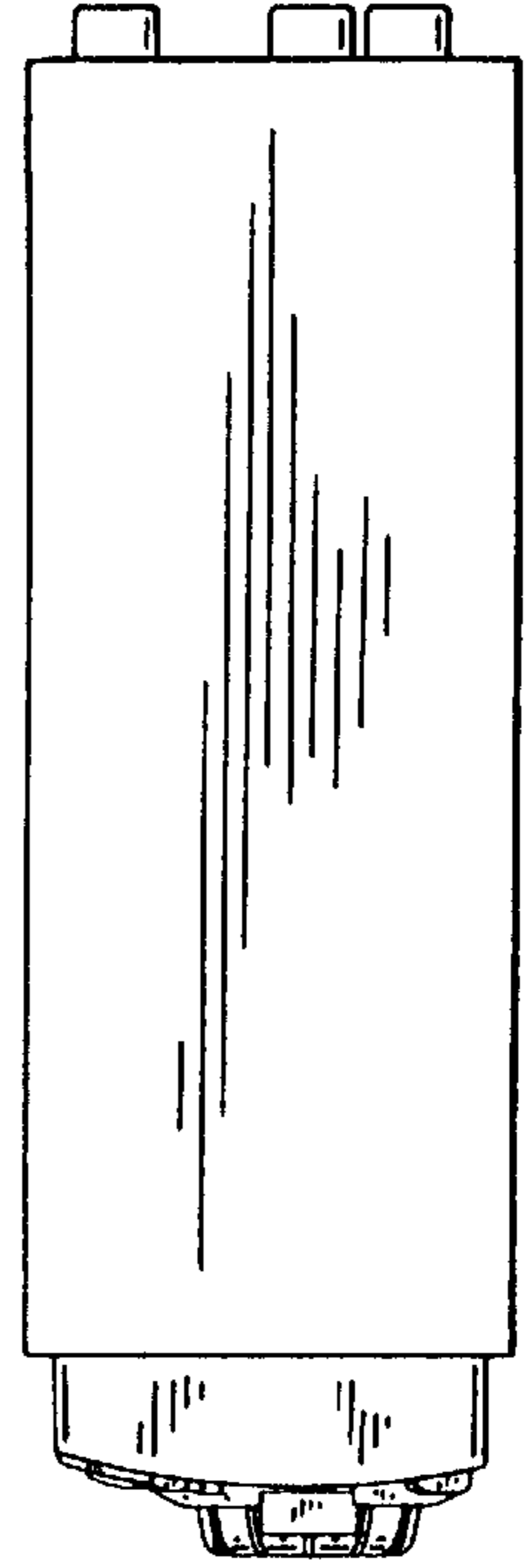


FIG. 7

