



US00D437836S

(12) **United States Design Patent**
Rosen

(10) **Patent No.:** **US D437,836 S**

(45) **Date of Patent:** **** Feb. 20, 2001**

- (54) **MONITOR ARRANGEMENT**
- (75) Inventor: **John B. Rosen**, Eugene, OR (US)
- (73) Assignee: **Rosen Products LLC**, Eugene, OR (US)
- (**) Term: **14 Years**
- (21) Appl. No.: **29/102,315**
- (22) Filed: **Mar. 22, 1999**

4,843,477	6/1989	Mizutani et al. .
5,161,028	11/1992	Kawata et al. .
5,467,106	11/1995	Salomon .
5,743,487	4/1998	Rice .
5,775,762 *	7/1998	Vitito 296/37.7

* cited by examiner

Primary Examiner—Richelle Shelton
(74) *Attorney, Agent, or Firm*—Kolisch, Hartwell, Dickinson, McCormack & Heuser

Related U.S. Application Data

- (63) Continuation of application No. 29/085,561, filed on Mar. 25, 1998, now Pat. No. Des. 407,086.
- (51) **LOC (7) Cl.** **14-03**
- (52) **U.S. Cl.** **D14/132**
- (58) **Field of Search** D14/126-134, D14/371, 374, 375; D12/418; 348/148, 825, 827, 836, 837; 312/7.2; 248/917-924; 296/37.7, 37.8

References Cited

U.S. PATENT DOCUMENTS

D. 366,067	1/1996	Mowrey .
D. 390,219	2/1998	Rosen .
D. 391,926 *	3/1998	Brunner et al. D14/132 X
D. 395,458	6/1998	Smith et al. .
D. 407,086	3/1999	Rosen .
4,438,458	3/1984	Münscher .
4,504,910	3/1985	Araki et al. .
4,749,364	6/1988	Arney et al. .

(57) **CLAIM**

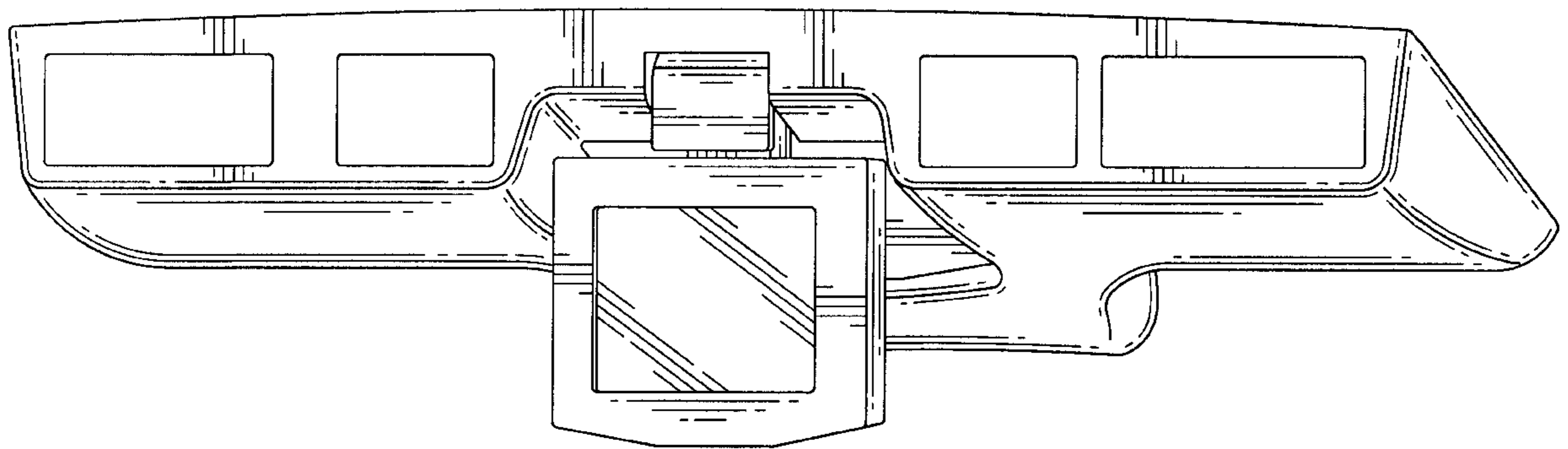
The ornamental design for a monitor arrangement, as shown and described.

DESCRIPTION

FIG. 1 is an isometric view of a monitor arrangement constructed in accordance with the present invention, the monitor arrangement being shown in a deployed orientation; FIG. 2 is an isometric view similar to that of FIG. 1, but with the monitor arrangement in a stowed orientation; FIG. 3 is a front elevation view of a monitor arrangement such as that shown in FIG. 1, the monitor arrangement being shown in a deployed orientation; FIG. 4 is a rear elevation view thereof; FIG. 5 is a bottom view thereof; and, FIG. 6 is a left-side view thereof, the right-side view being a mirror image thereof.

The surfaces or portions of the article not shown in the drawing or described in the specification form no part of the claimed design.

1 Claim, 4 Drawing Sheets



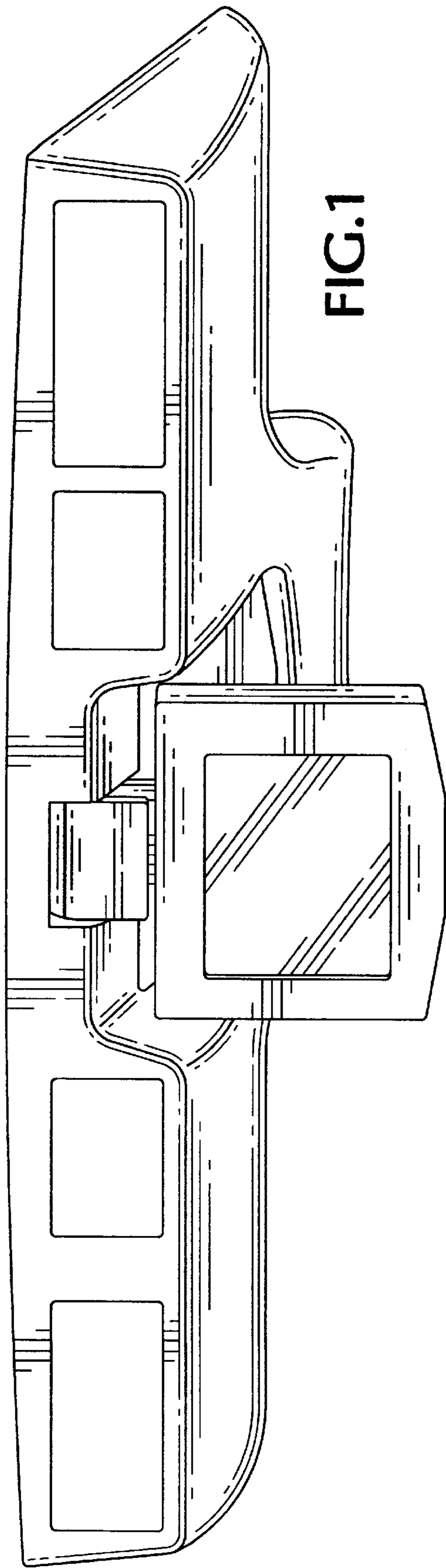


FIG. 1

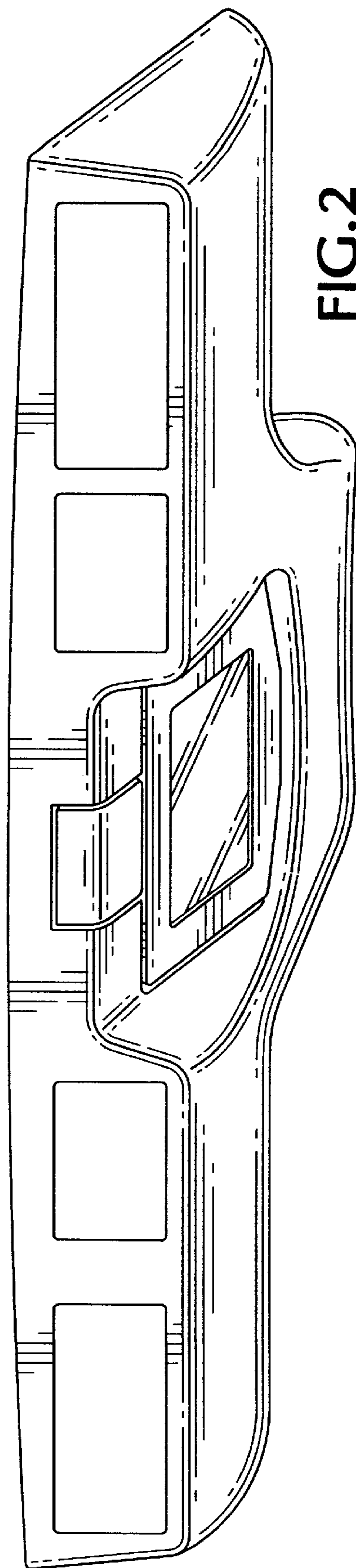
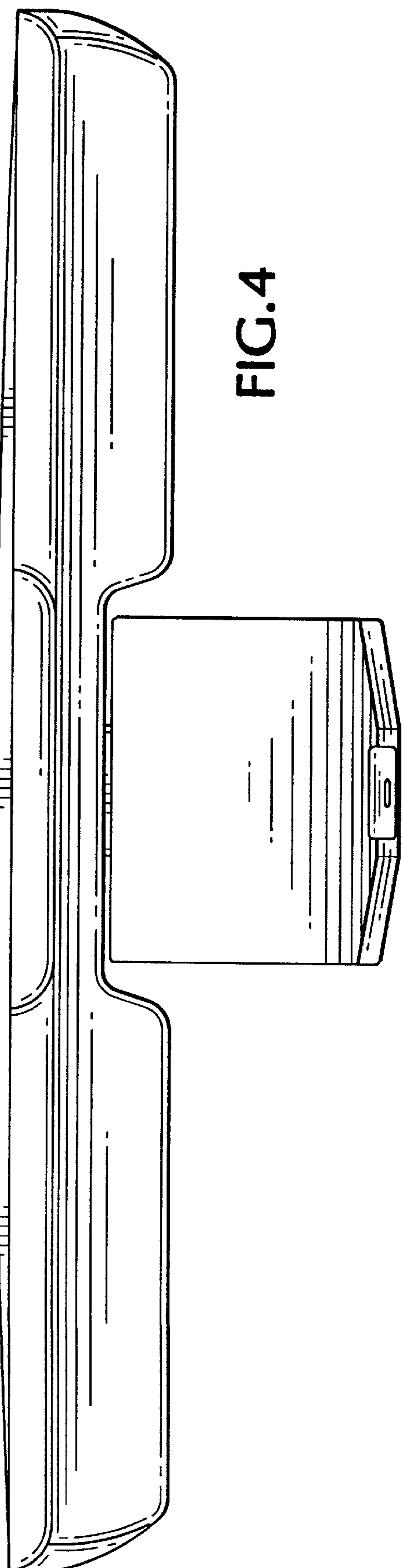
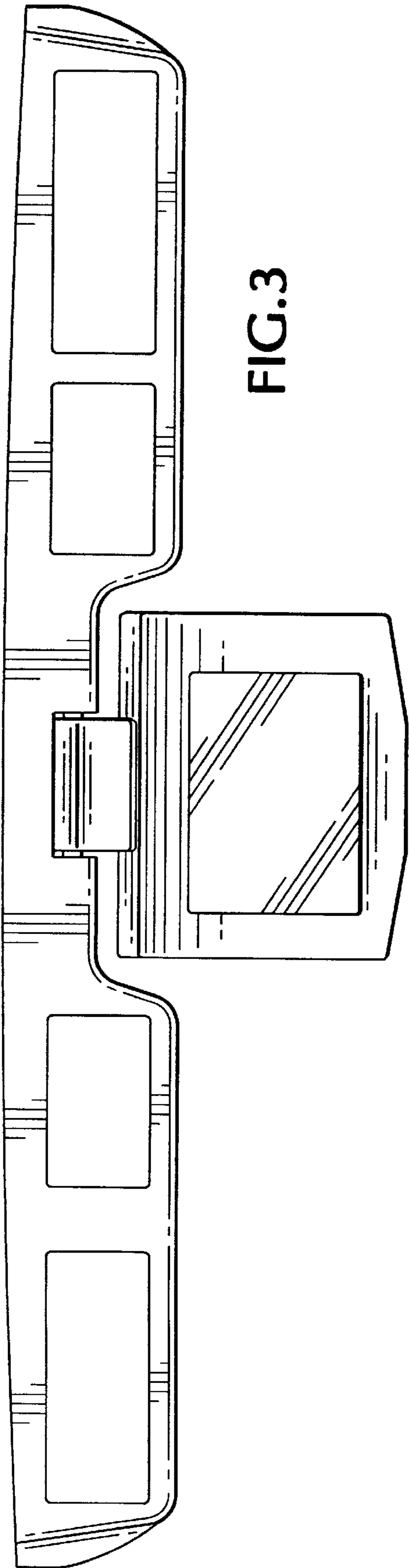


FIG. 2



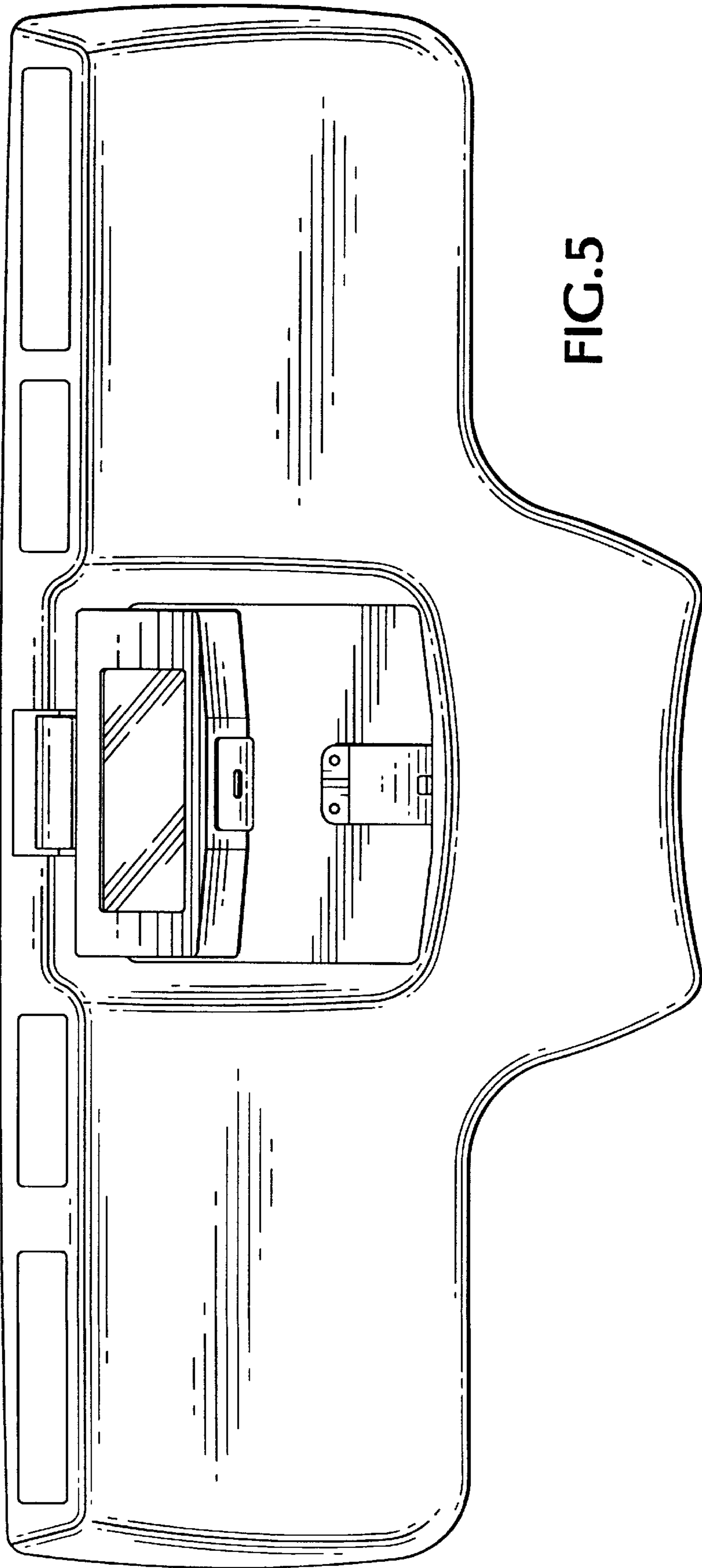


FIG. 5

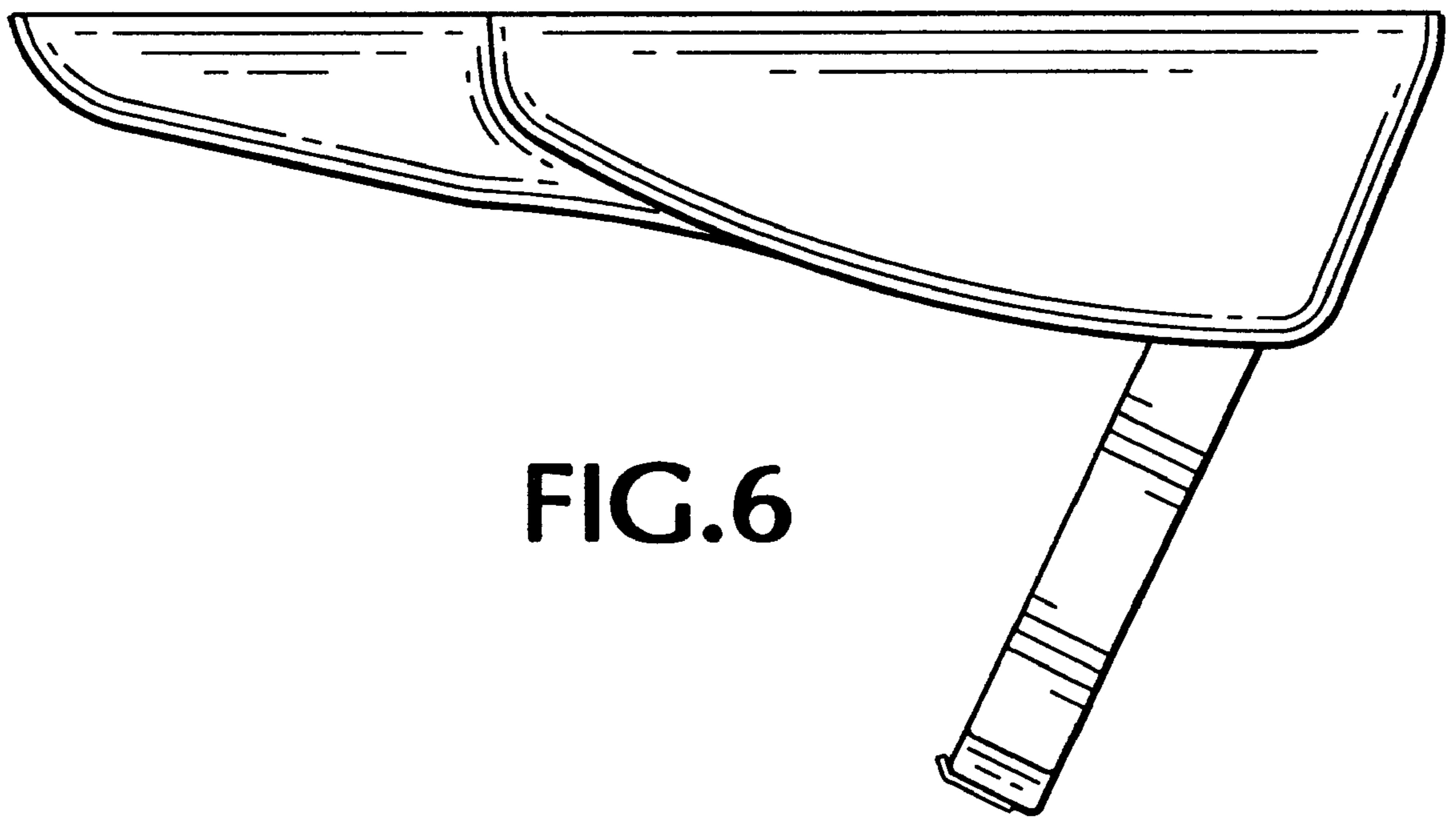


FIG.6