



US00D437835S

(12) **United States Design Patent**  
**Decosse**

(10) **Patent No.:** **US D437,835 S**

(45) **Date of Patent:** **\*\* Feb. 20, 2001**

(54) **PUSH-BUTTON UNIT**

(75) Inventor: **Jean Decosse**, Girens (FR)

(73) Assignee: **Schneider Electric Industries SA**,  
Boulogne Billancourt (FR)

(\*\*) Term: **14 Years**

(21) Appl. No.: **29/105,702**

(22) Filed: **May 28, 1999**

(30) **Foreign Application Priority Data**

Nov. 30, 1998 (FR) ..... 98 6975

(51) **LOC (7) Cl.** ..... **13-03**

(52) **U.S. Cl.** ..... **D13/174**

(58) **Field of Search** ..... D13/174, 171;  
200/237, 238, 252, 275, 293, 329, 254,  
282, 333, 341

(56) **References Cited**

**U.S. PATENT DOCUMENTS**

- D. 233,892 \* 12/1974 Kay ..... D13/174
- D. 297,727 \* 9/1988 Saito ..... D13/174
- D. 362,841 \* 10/1995 Roza ..... D13/171
- 4,590,342 \* 5/1986 Schlegel ..... 200/341 X

- 5,055,643 \* 10/1991 Pardini ..... 200/341 X
- 5,495,081 \* 2/1996 Ipcinski ..... 200/341 X

\* cited by examiner

*Primary Examiner*—Brian N. Vinson

(74) *Attorney, Agent, or Firm*—Oblon, Spivak, McClelland,  
Maier & Neustadt, P.C.

(57) **CLAIM**

The ornamental design for a push-button unit, as shown and described.

**DESCRIPTION**

The push-button unit claimed in the present application is for making electrical contacts, but could be used for triggering any type of device, so as to be more aesthetically pleasing.

FIG. 1 is a front elevational view of push-button unit embodying the new design thereof;

FIG. 2 is a rear elevational view thereof;

FIG. 3 is a left side elevational view thereof;

FIG. 4 is a right side elevational view thereof;

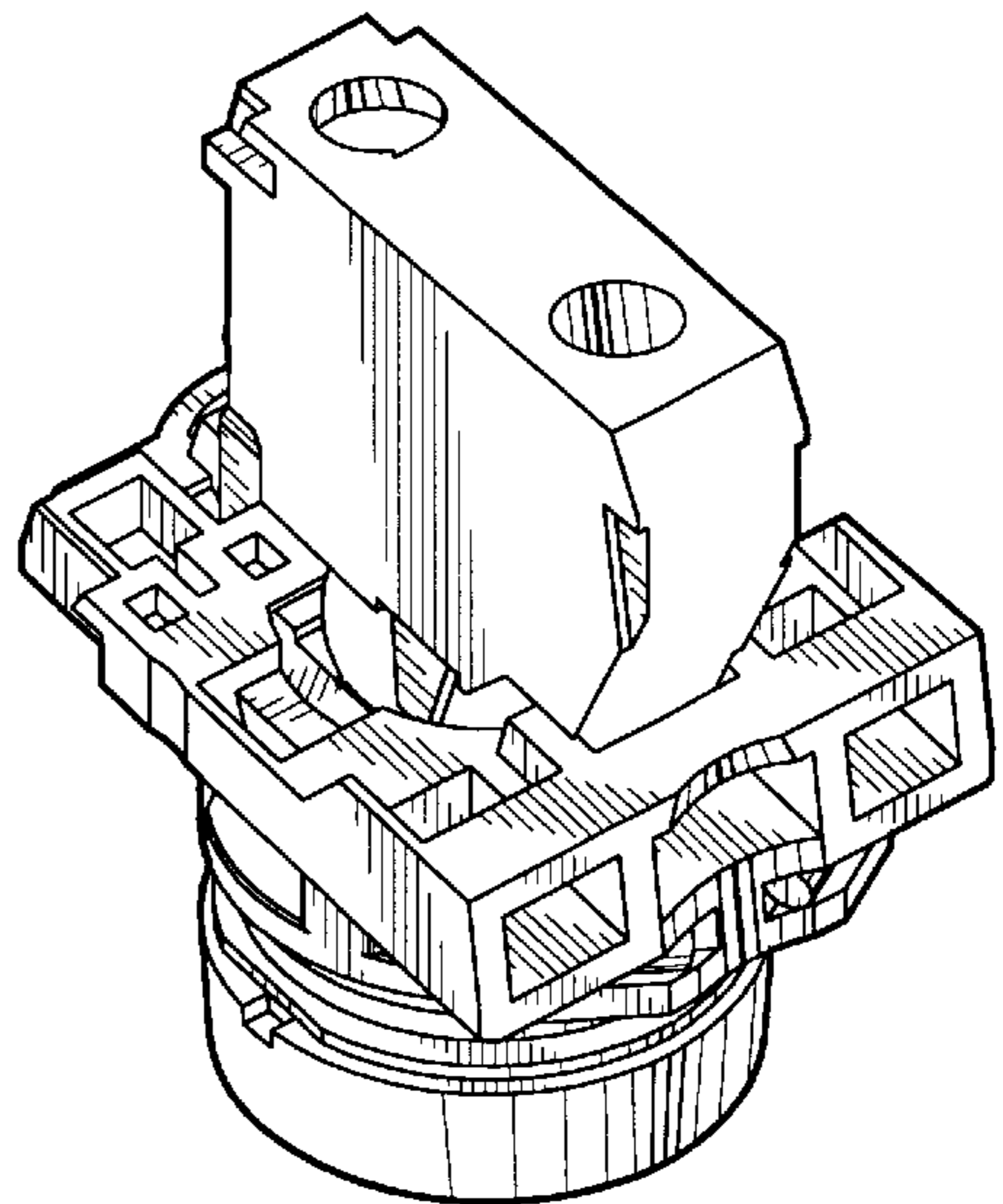
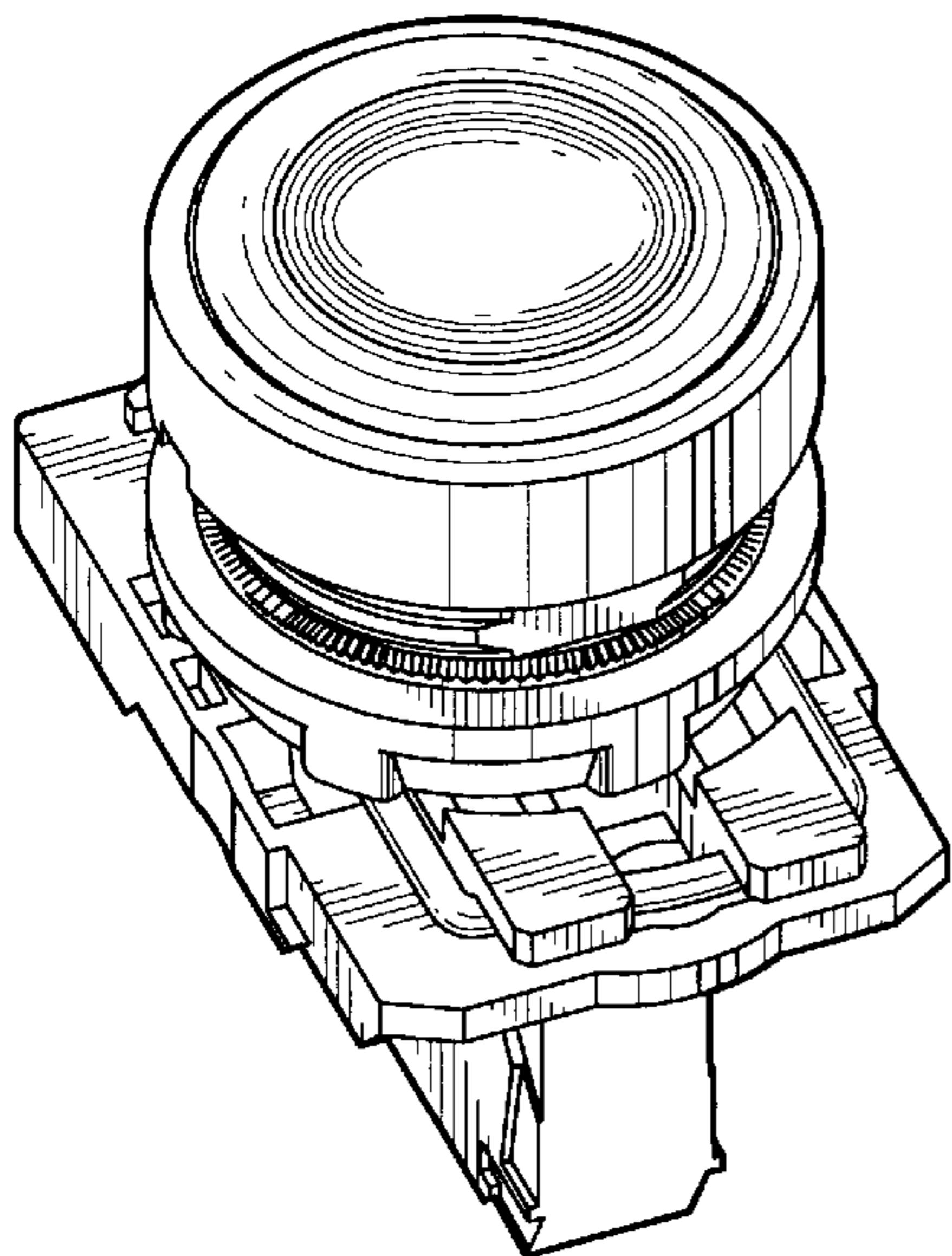
FIG. 5 is a top plan view thereof;

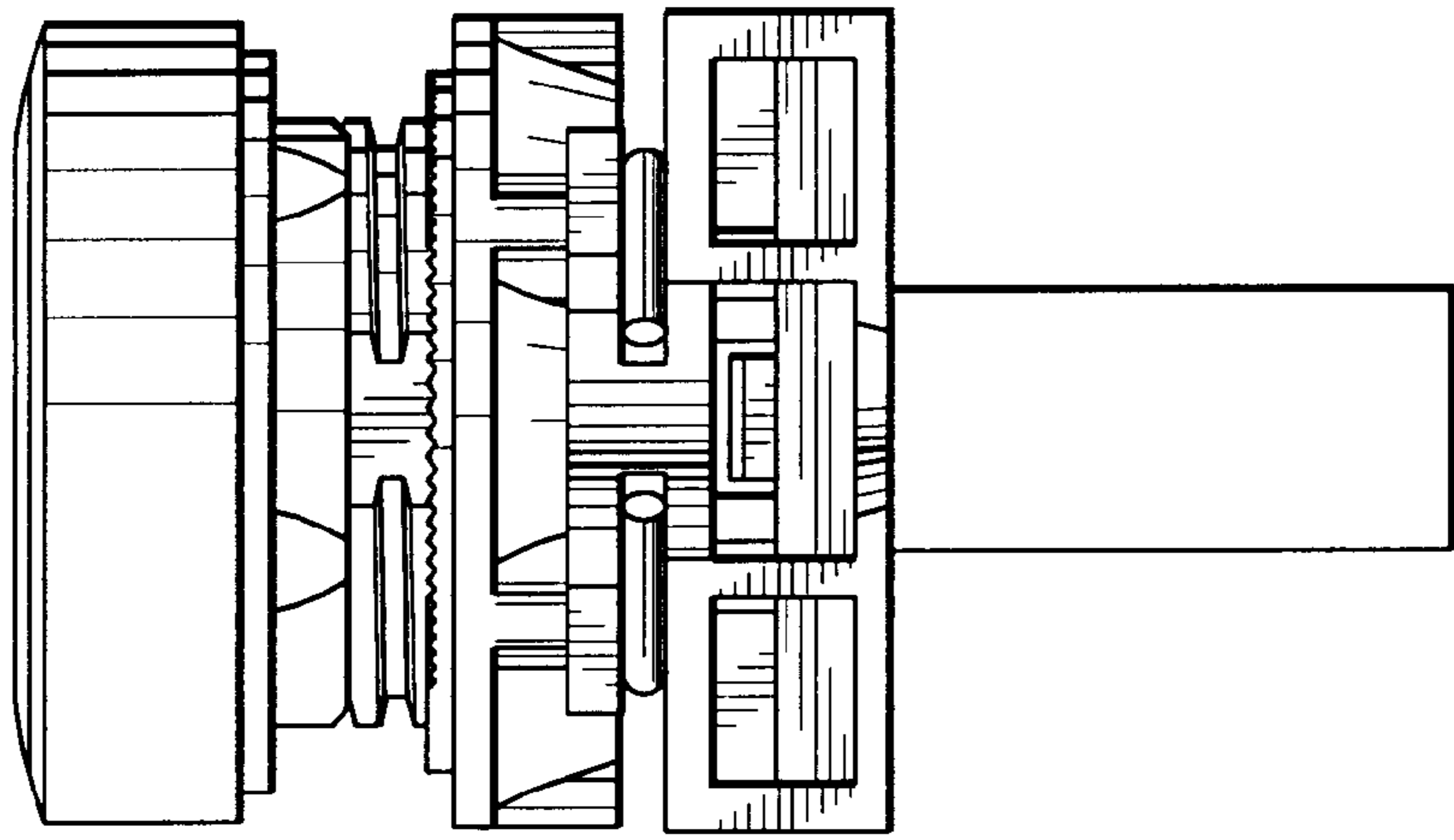
FIG. 6 is a bottom plan view thereof;

FIG. 7 is a top, front, left perspective view thereof; and,

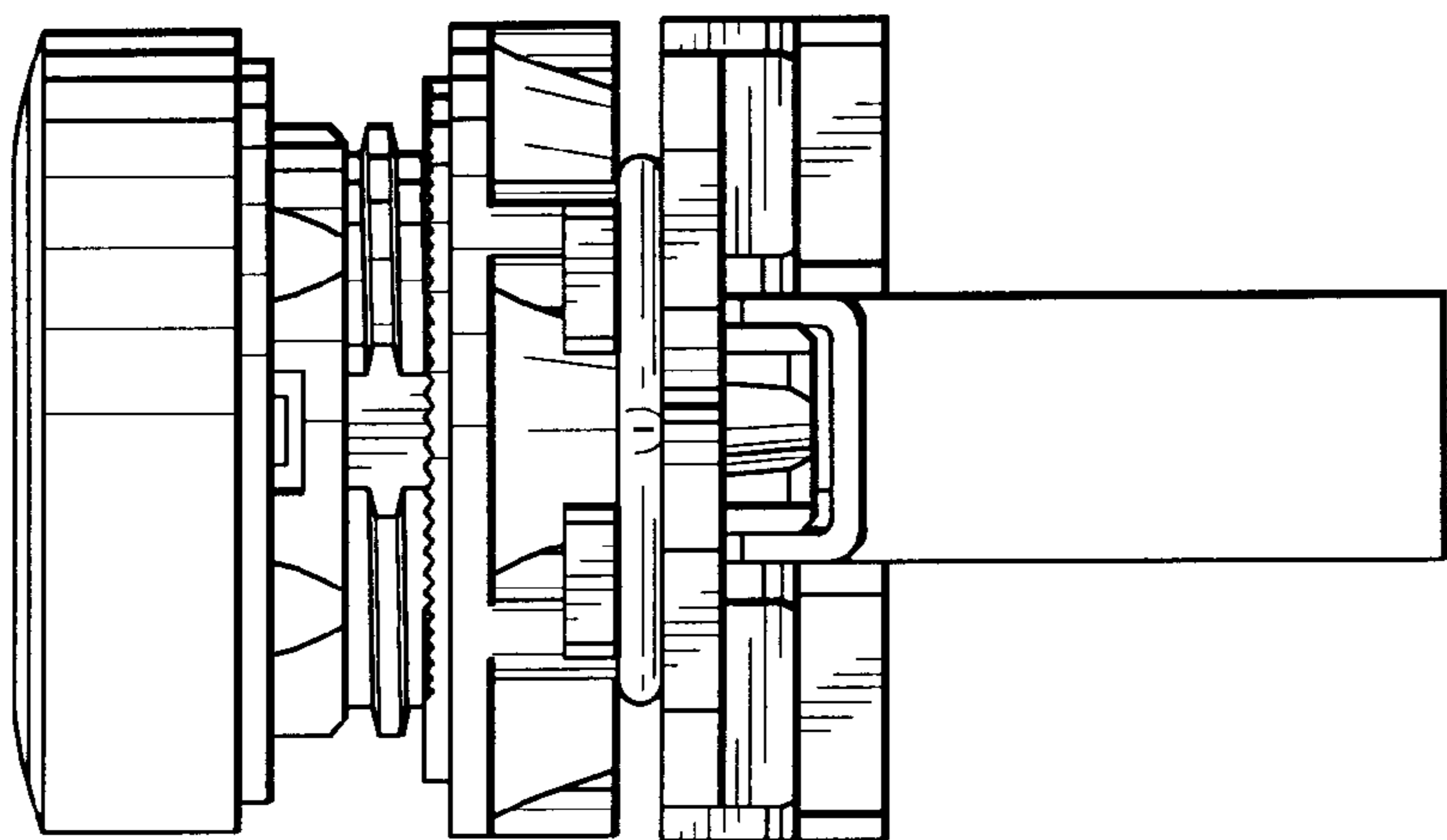
FIG. 8 is a bottom, rear, left perspective view thereof.

**1 Claim, 4 Drawing Sheets**

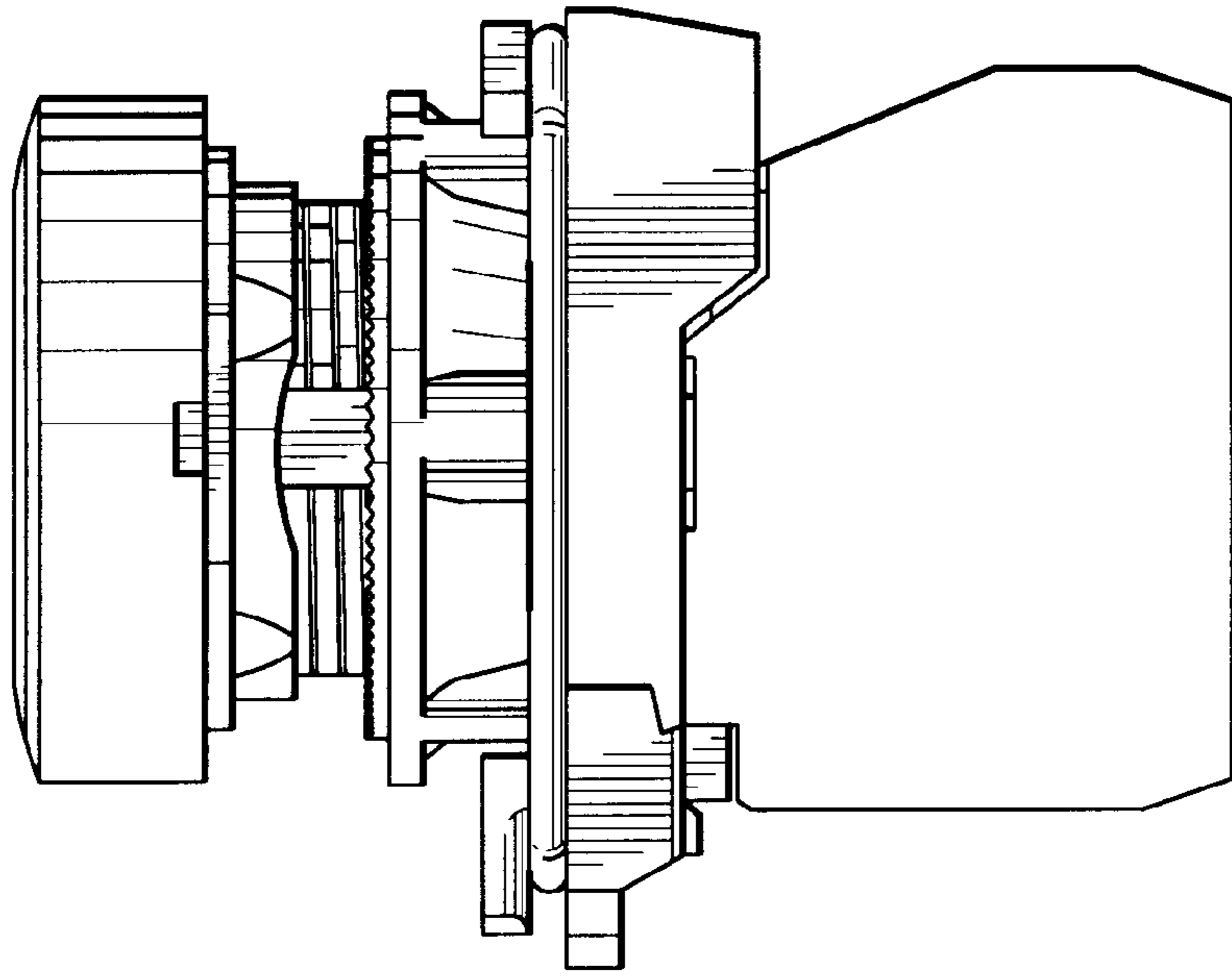




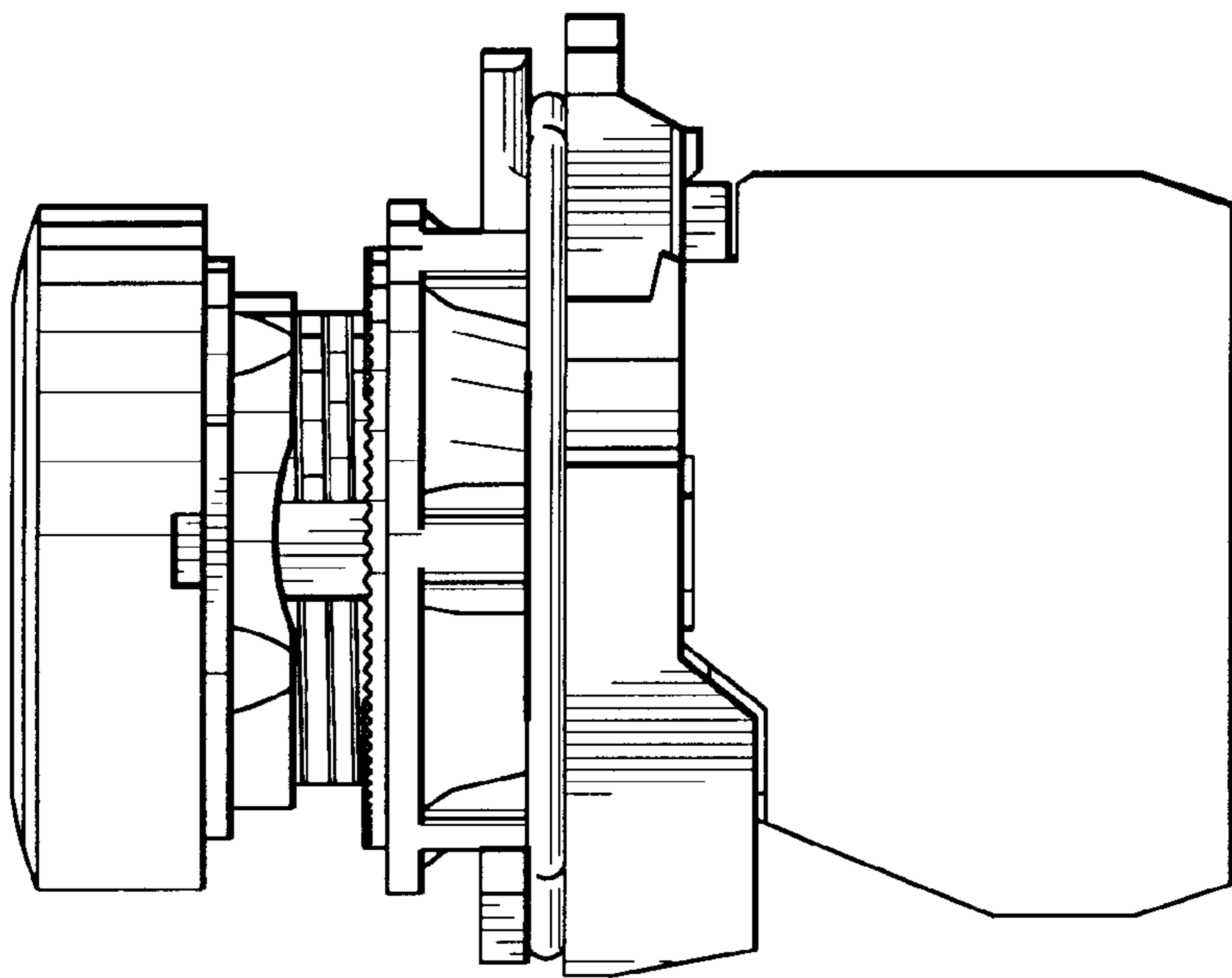
*FIG. 1*



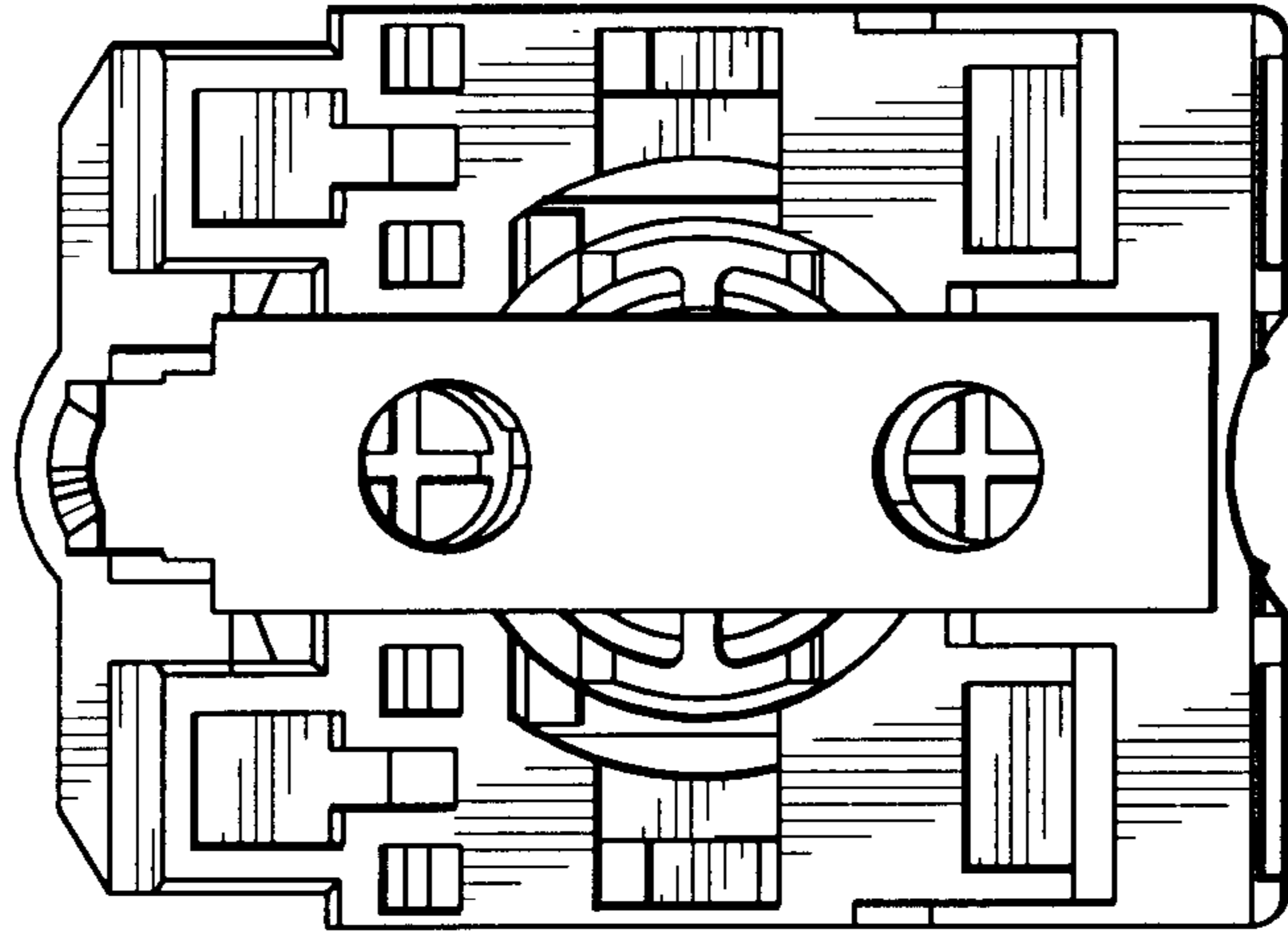
*FIG. 2*



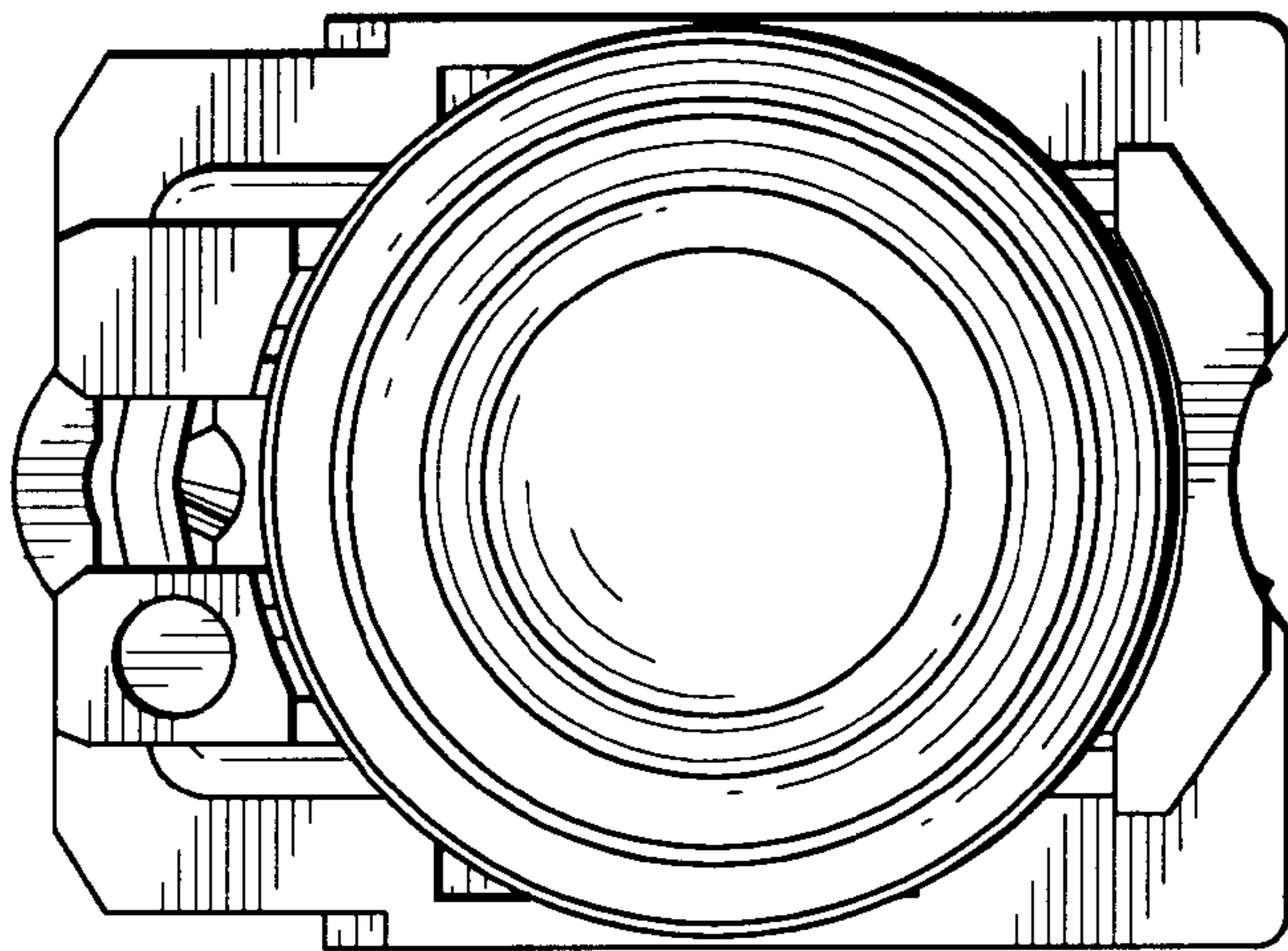
*FIG. 4*



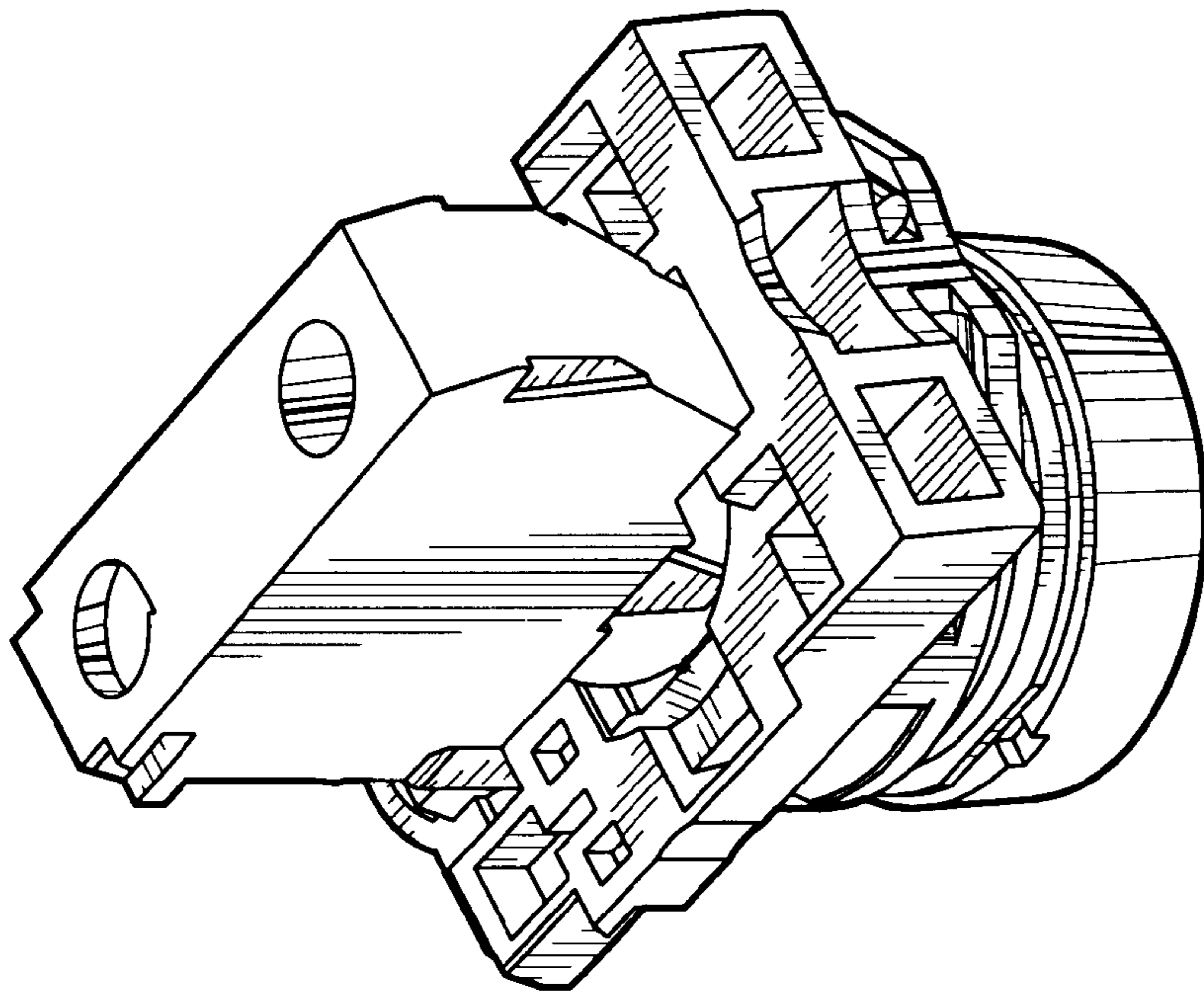
*FIG. 3*



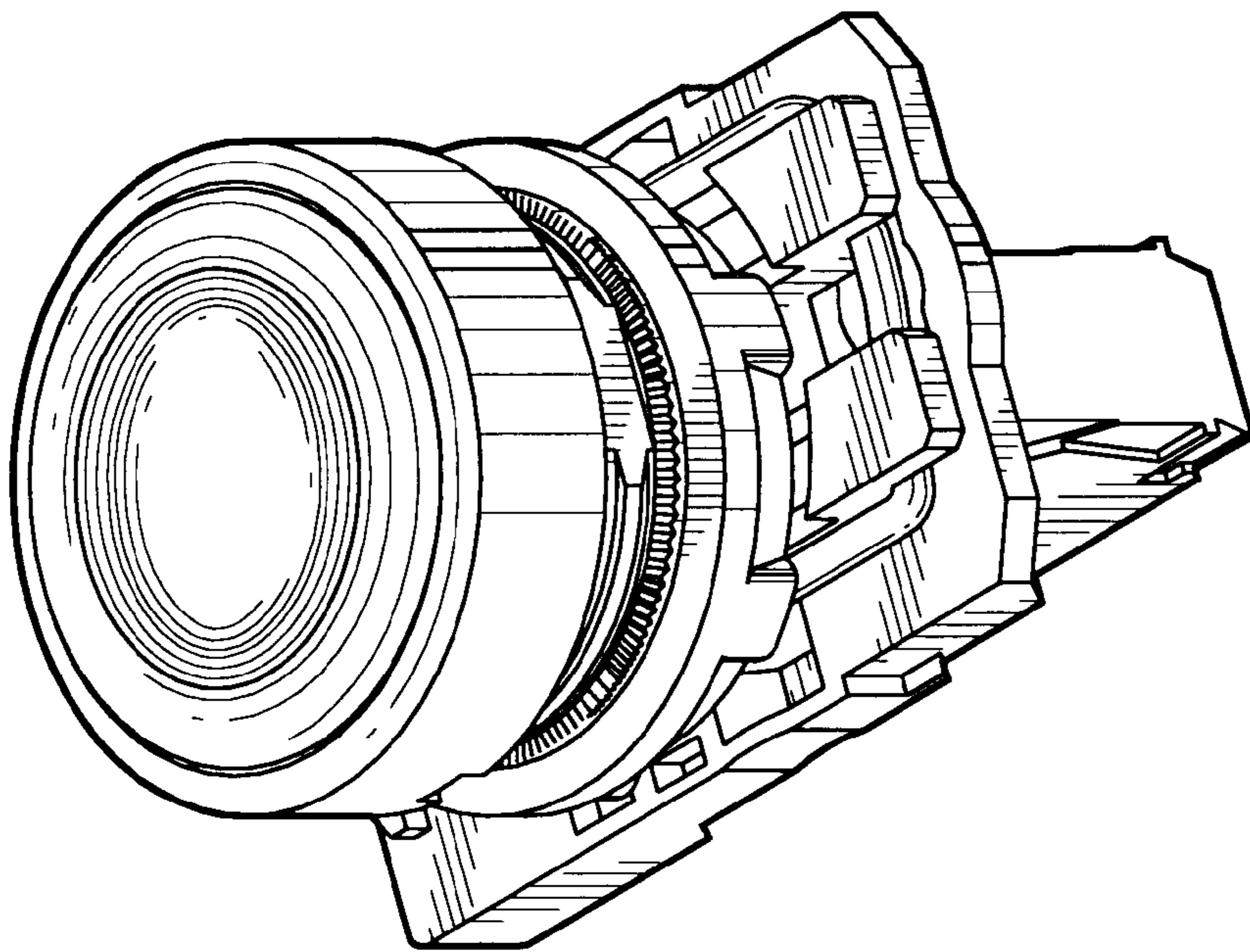
*FIG. 6*



*FIG. 5*



*FIG. 8*



*FIG. 7*