



US00D437829S

(12) **United States Design Patent**
Sato et al.

(10) **Patent No.:** **US D437,829 S**

(45) **Date of Patent:** **** Feb. 20, 2001**

(54) **CONNECTOR**

(75) Inventors: **Toshinori Sato; Kazuaki Miyoshi**, both of Kyoto (JP)

(73) Assignee: **Omron Corporation**, Kyoto (JP)

(**) Term: **14 Years**

(21) Appl. No.: **29/124,040**

(22) Filed: **May 30, 2000**

(30) **Foreign Application Priority Data**

Nov. 30, 1999 (JP) 11-33061

(51) **LOC (7) Cl.** **13-03**

(52) **U.S. Cl.** **D13/147**

(58) **Field of Search** D13/146, 147;
439/354, 374, 545, 552, 557, 638, 650,
655

(56) **References Cited**

U.S. PATENT DOCUMENTS

- D. 399,047 * 10/1998 Yoshida et al. D13/147
- D. 400,715 * 11/1998 Brorsson et al. D13/147
- D. 410,629 * 6/1999 Bandura et al. D13/147
- 5,378,168 * 1/1995 Tatsuya 439/357 X

- 5,425,650 * 6/1995 Maeda 439/374
- 5,435,749 * 7/1995 Kawase et al. 439/557
- 5,462,457 * 10/1995 Schroepfer et al. 439/736
- 6,042,425 * 3/2000 Moller et al. 439/638

* cited by examiner

Primary Examiner—Joel Sincavage

(74) *Attorney, Agent, or Firm*—Dickstein Shapiro Morin & Oshinsky LLP

(57) **CLAIM**

The ornamental design for a connector, as shown and described.

DESCRIPTION

FIG. 1 is a perspective view of the top, front and right side of a connector showing our new design;

FIG. 2 is a perspective view of the top, rear and left side thereof;

FIG. 3 is a top plan view thereof;

FIG. 4 is a bottom view thereof;

FIG. 5 is a front view thereof;

FIG. 6 is a right side view thereof;

FIG. 7 is a rear view thereof; and,

FIG. 8 is a left side view thereof.

1 Claim, 3 Drawing Sheets

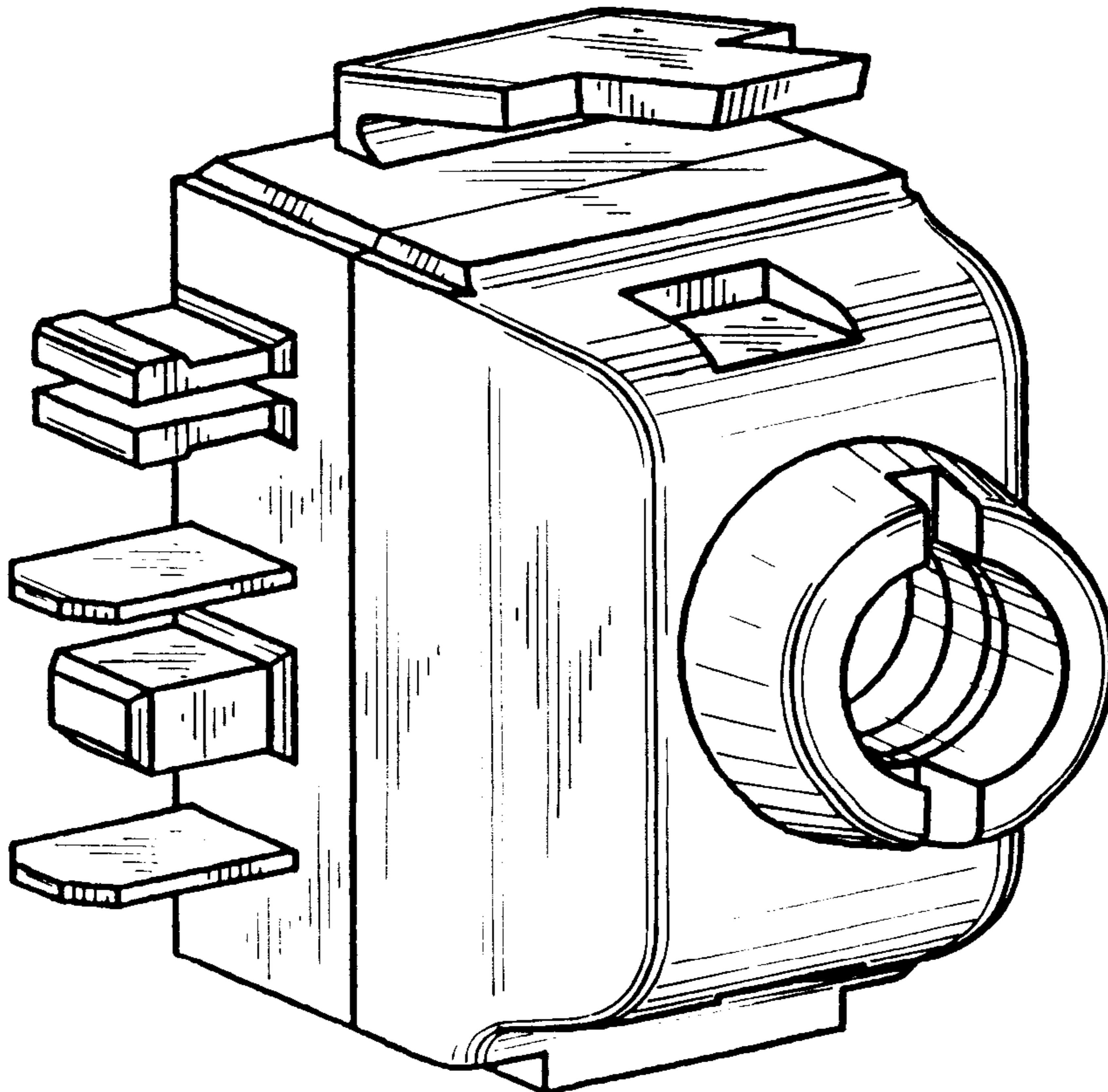


FIG. 1

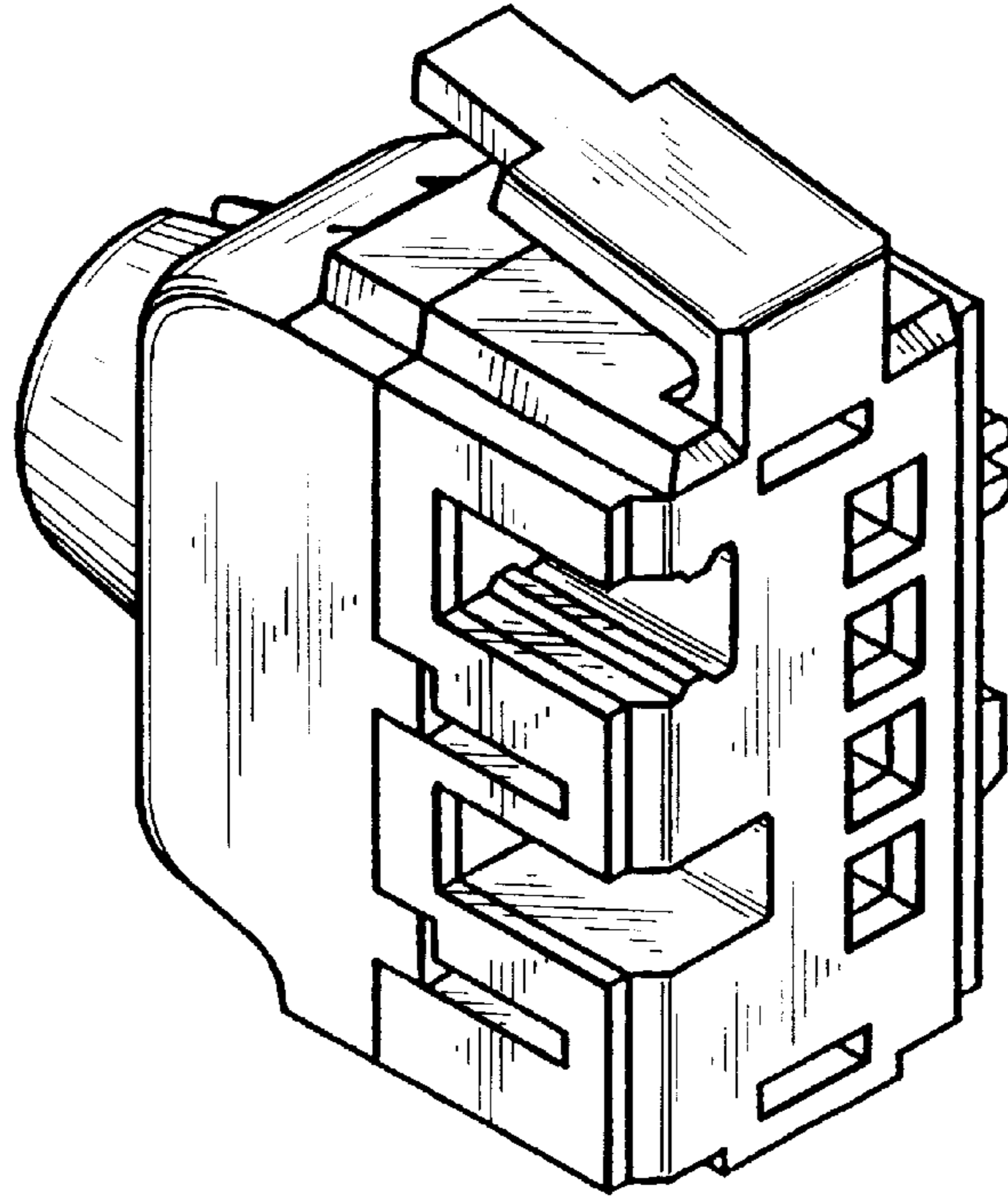


FIG. 2

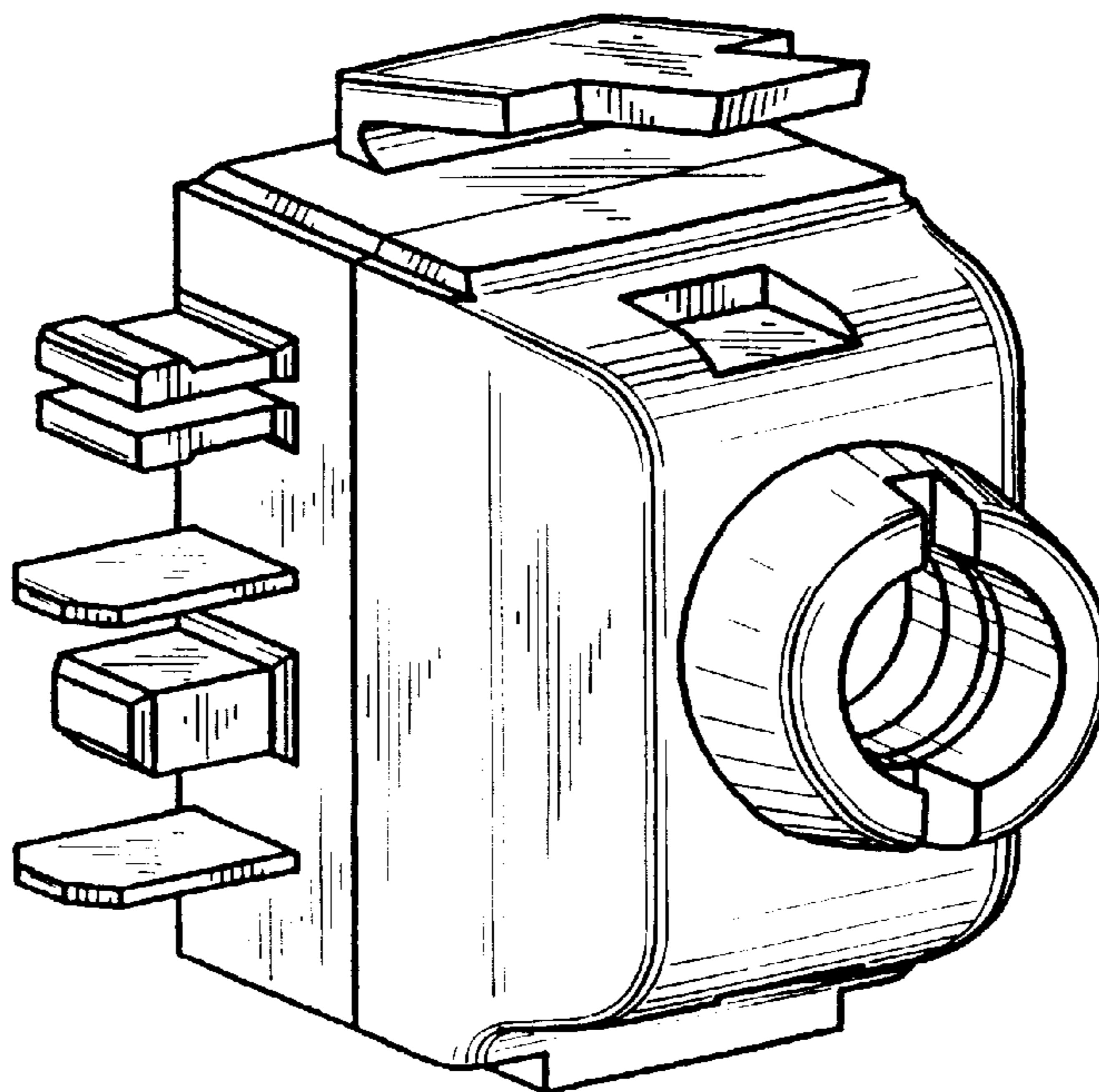


FIG. 3

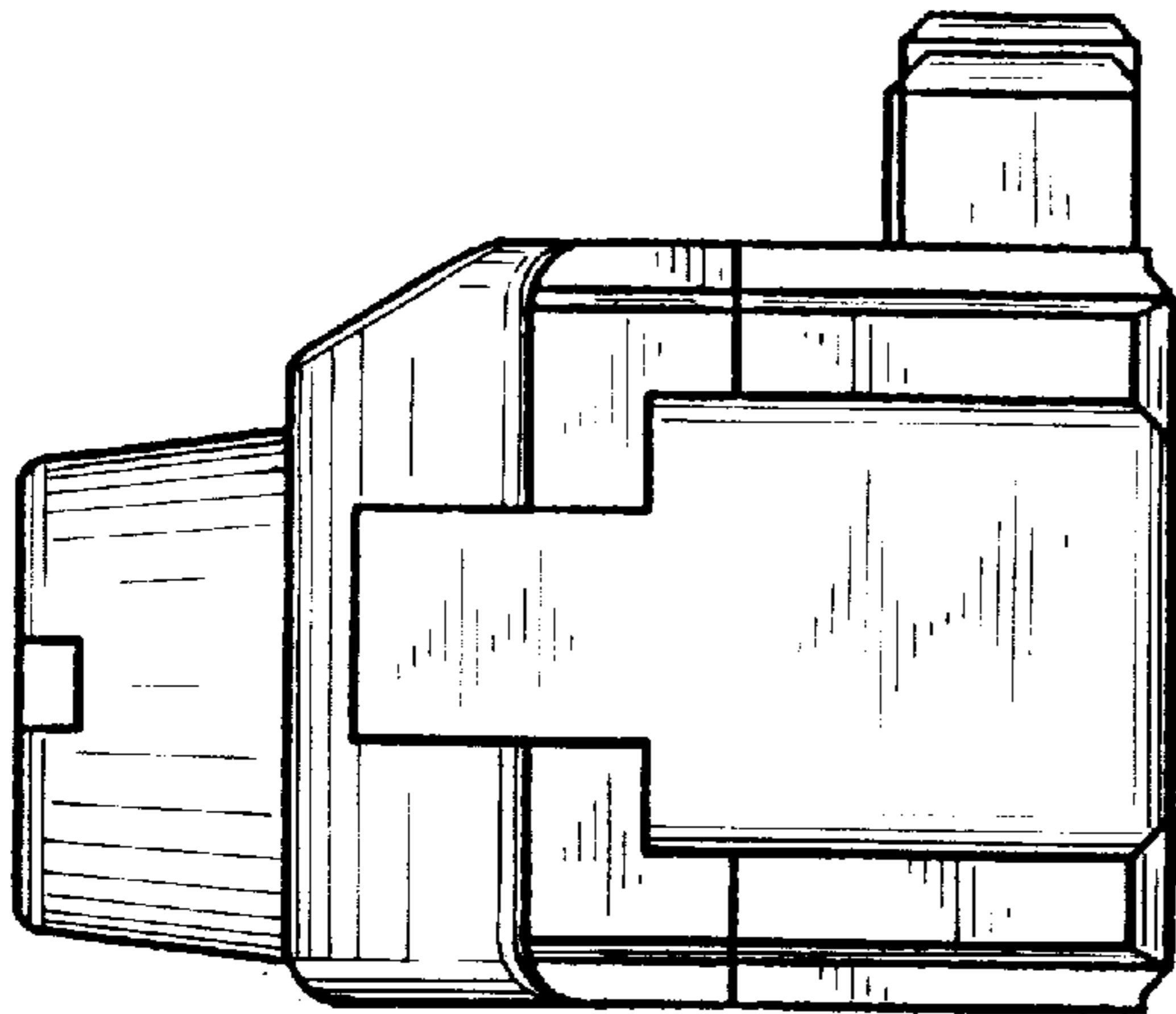


FIG. 4

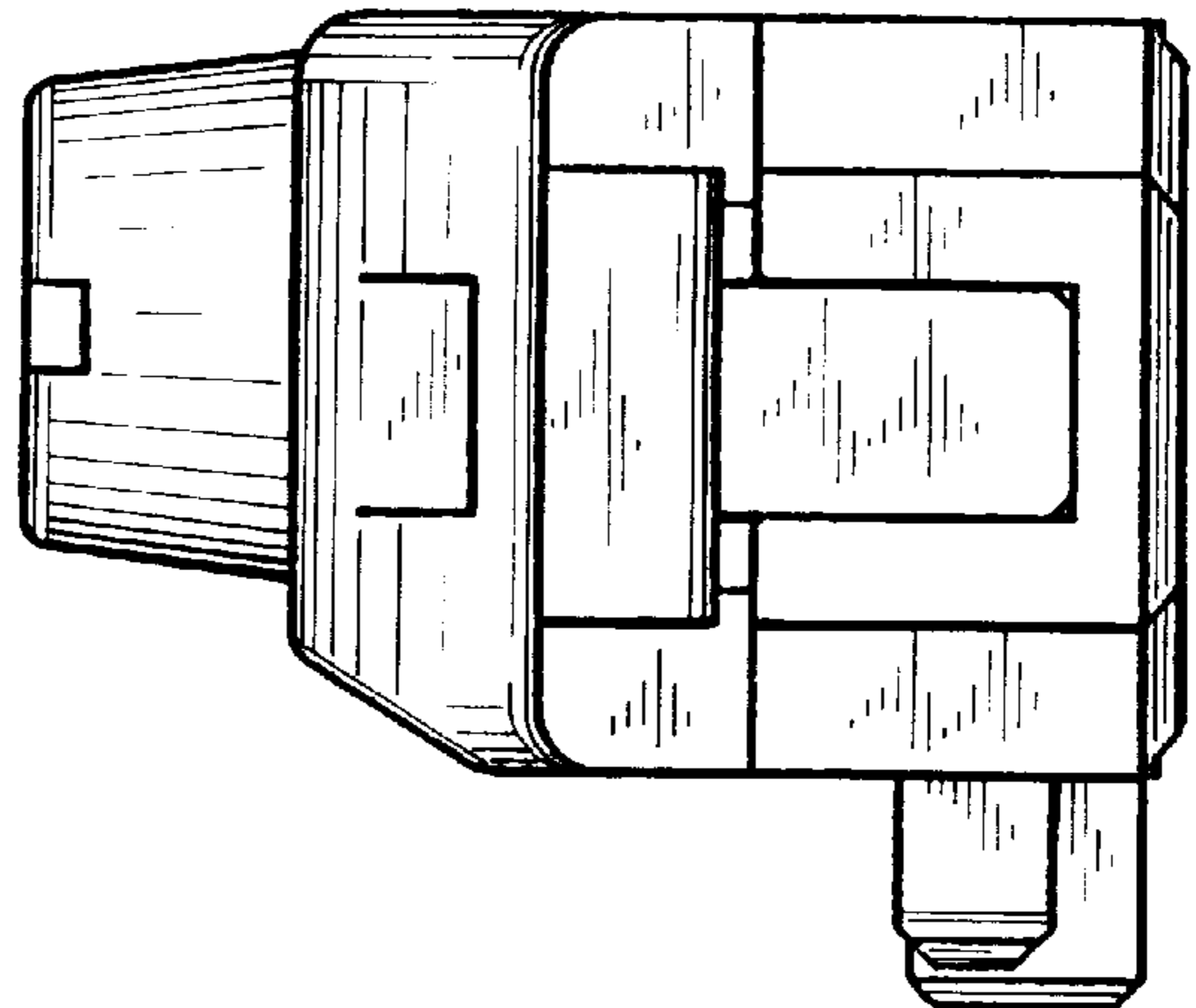


FIG. 5

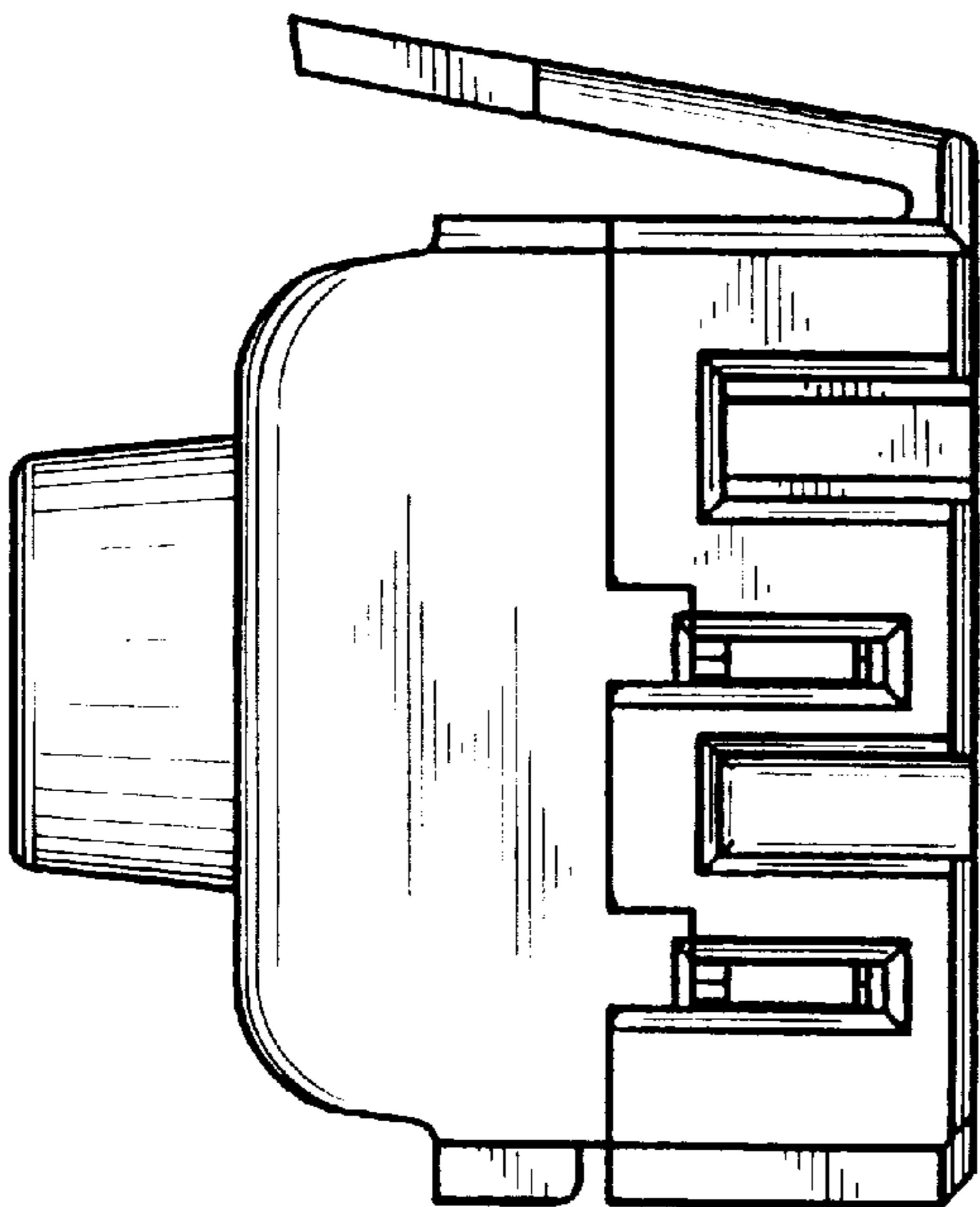


FIG. 6

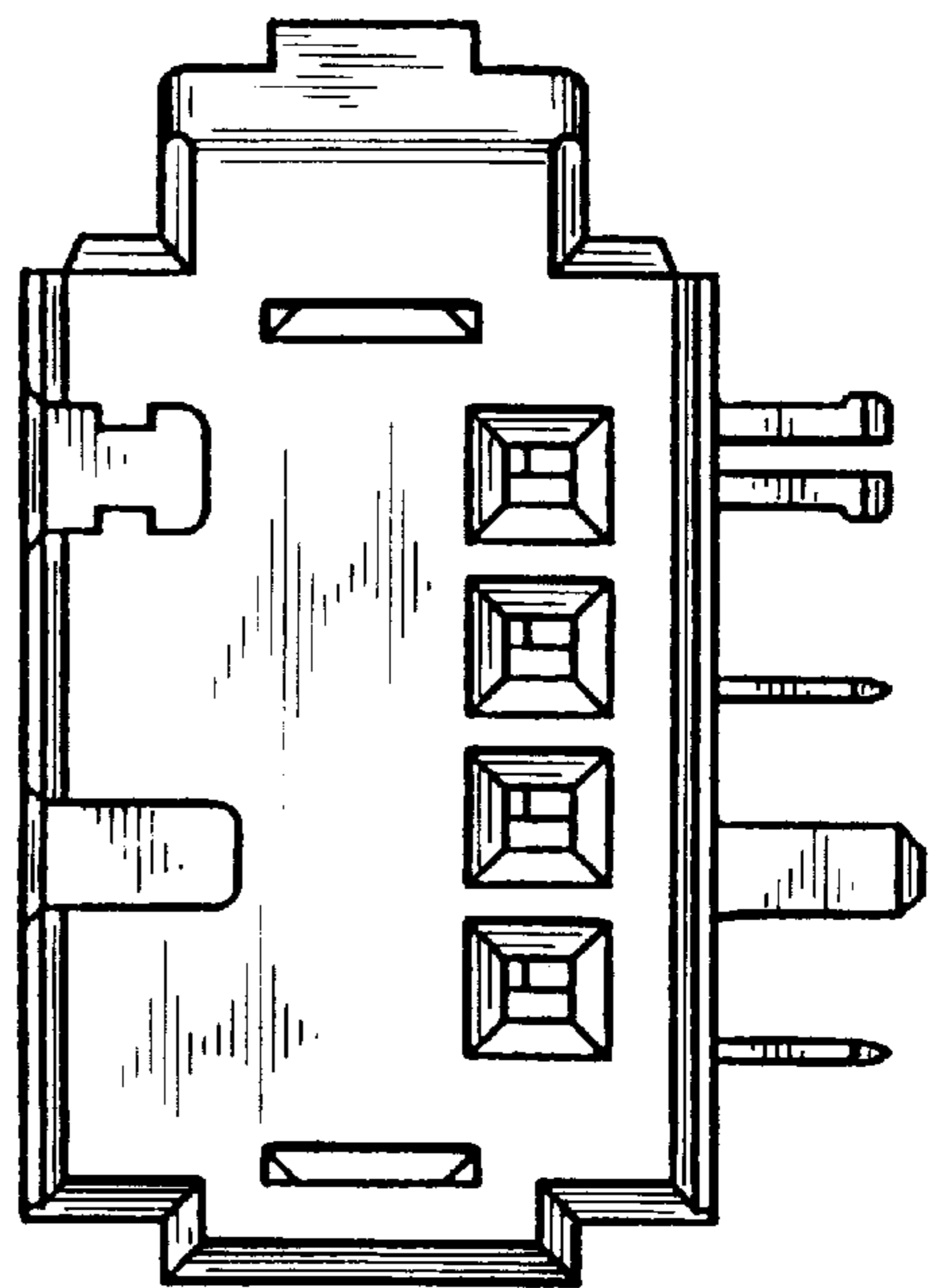


FIG. 7

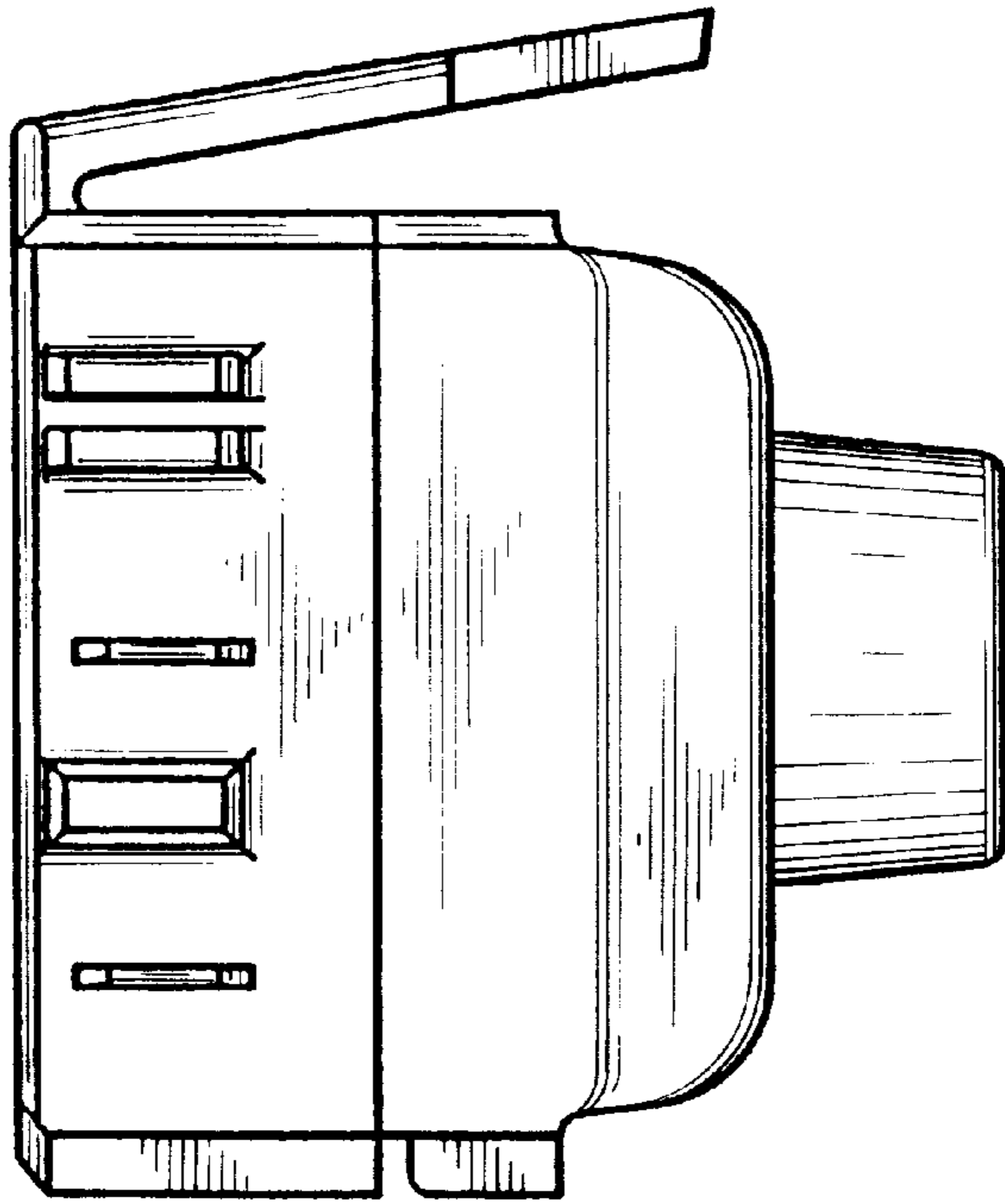


FIG. 8

