



US00D437828S

(12) **United States Design Patent**  
**Corona**

(10) **Patent No.:** **US D437,828 S**

(45) **Date of Patent:** **\*\* Feb. 20, 2001**

(54) **ENVIRONMENTALLY SEALED ELECTRICAL CONNECTOR HOUSING**

(74) *Attorney, Agent, or Firm*—Robert D. Buyan; Stout, Uxa, Buyan & Mullins, LLP

(76) **Inventor:** Sergio Corona, 1340 Shelley Ave., Upland, CA (US) 91786

(57) **CLAIM**

The ornamental design for an environmentally sealed electrical connector housing, as shown and described.

(\*\*) **Term:** 14 Years

**DESCRIPTION**

(21) **Appl. No.:** 29/114,778

FIG. 1 is a perspective view of the environmentally sealed electrical connector housing design;

(22) **Filed:** Dec. 1, 1999

FIG. 2 is a front view of the environmentally sealed electrical connector housing of FIG. 1;

(51) **LOC (7) Cl.** ..... 13-03

(52) **U.S. Cl.** ..... D13/146

FIG. 3 is a top view of the environmentally sealed electrical connector housing of FIG. 1;

(58) **Field of Search** ..... D13/146, 147;

439/555, 557, 519, 521

FIG. 4 is a right side view of the environmentally sealed electrical connector housing of FIG. 1;

(56) **References Cited**

**U.S. PATENT DOCUMENTS**

D. 252,268	*	7/1979	Jonsson	.....	D13/147
D. 384,643	*	10/1997	Nierlich et al.	.....	D13/147
3,569,909	*	3/1971	Garver	.....	439/557 X
4,168,874	*	9/1979	Weidler et al.	.....	439/557
5,525,074	*	6/1996	Tsuji et al.	.....	439/555
5,876,246	*	3/1999	Martin et al.	.....	439/557

FIG. 5 is a left side view of the environmentally sealed electrical connector housing of FIG. 1;

FIG. 6 is a rear view of the environmentally sealed electrical connector housing of FIG. 1; and,

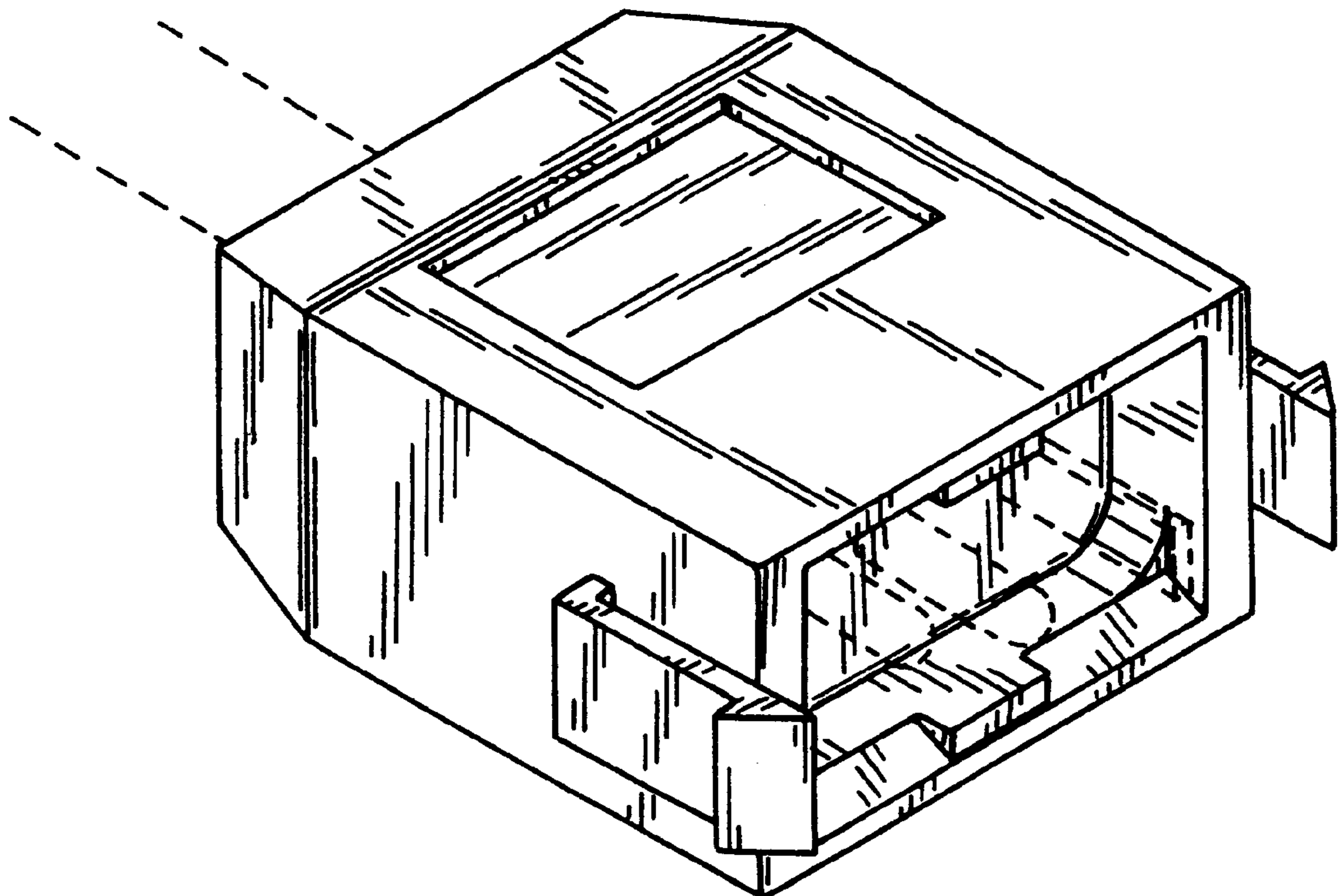
FIG. 7 is a bottom view of the environmentally sealed electrical connector housing of FIG. 1.

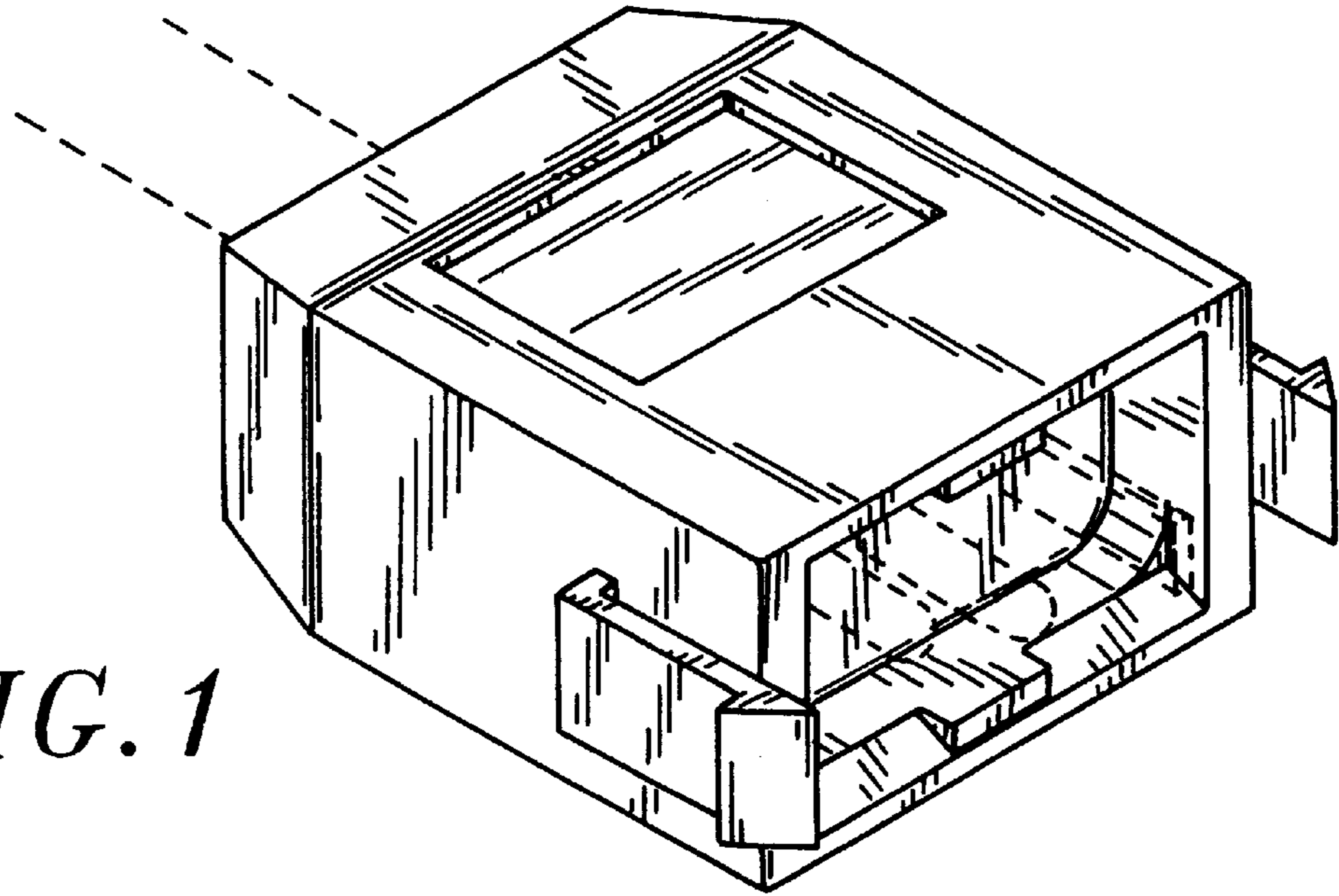
The broken line showing throughout the drawing figures is included for purpose of illustrating environmental structure only and forms no part of the claimed design.

\* cited by examiner

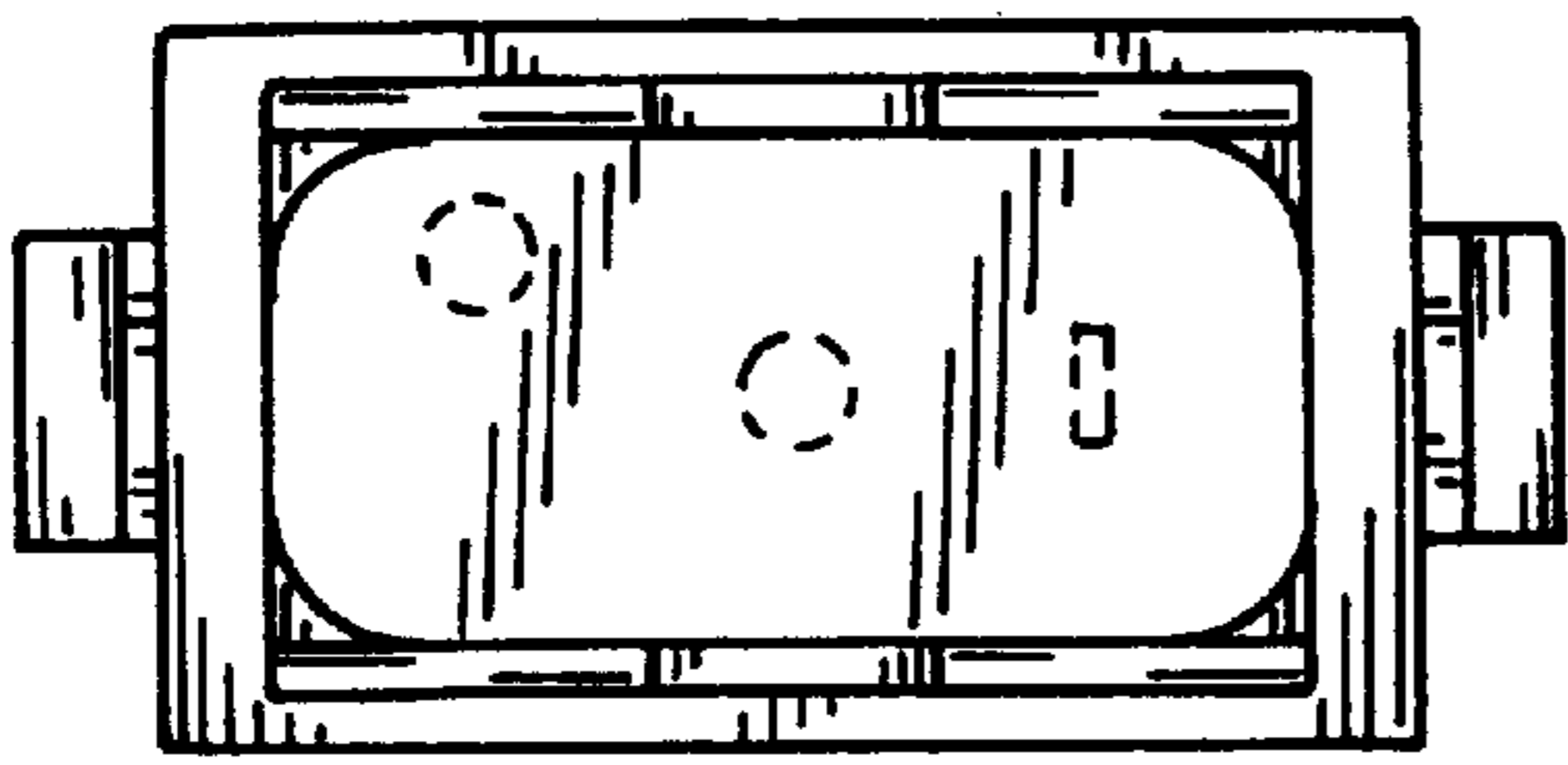
*Primary Examiner*—Joel Sincavage

**1 Claim, 2 Drawing Sheets**



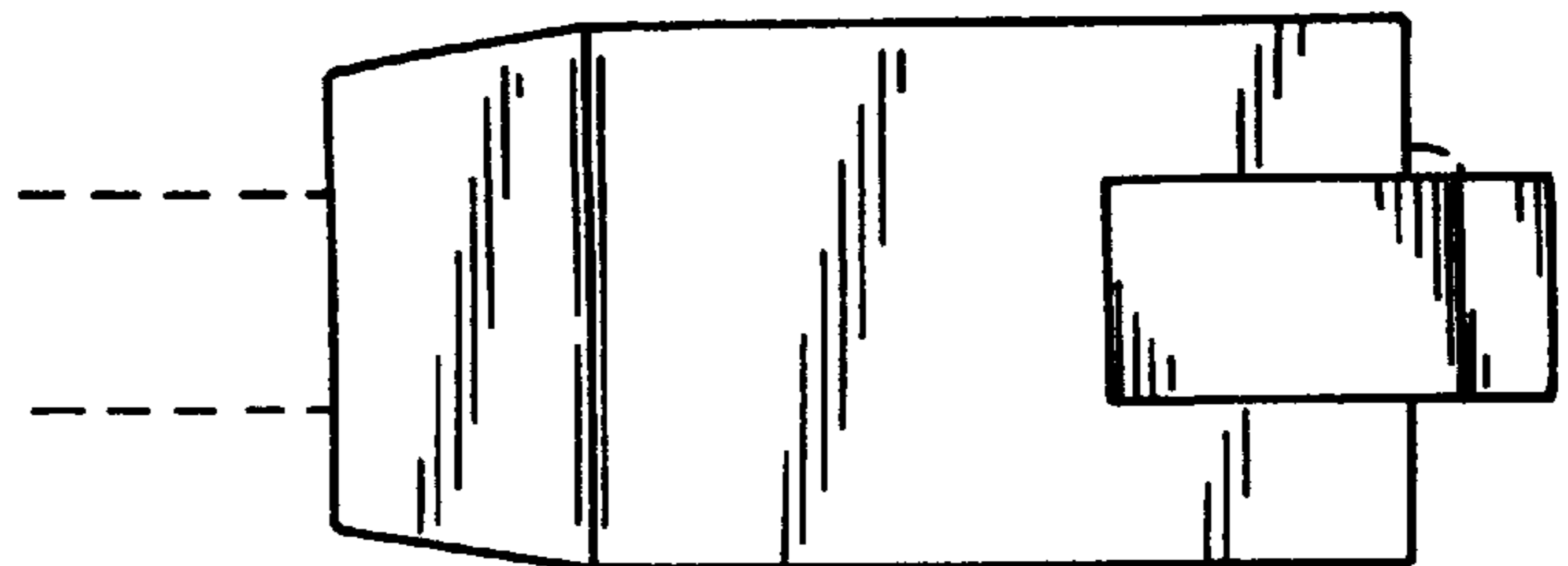


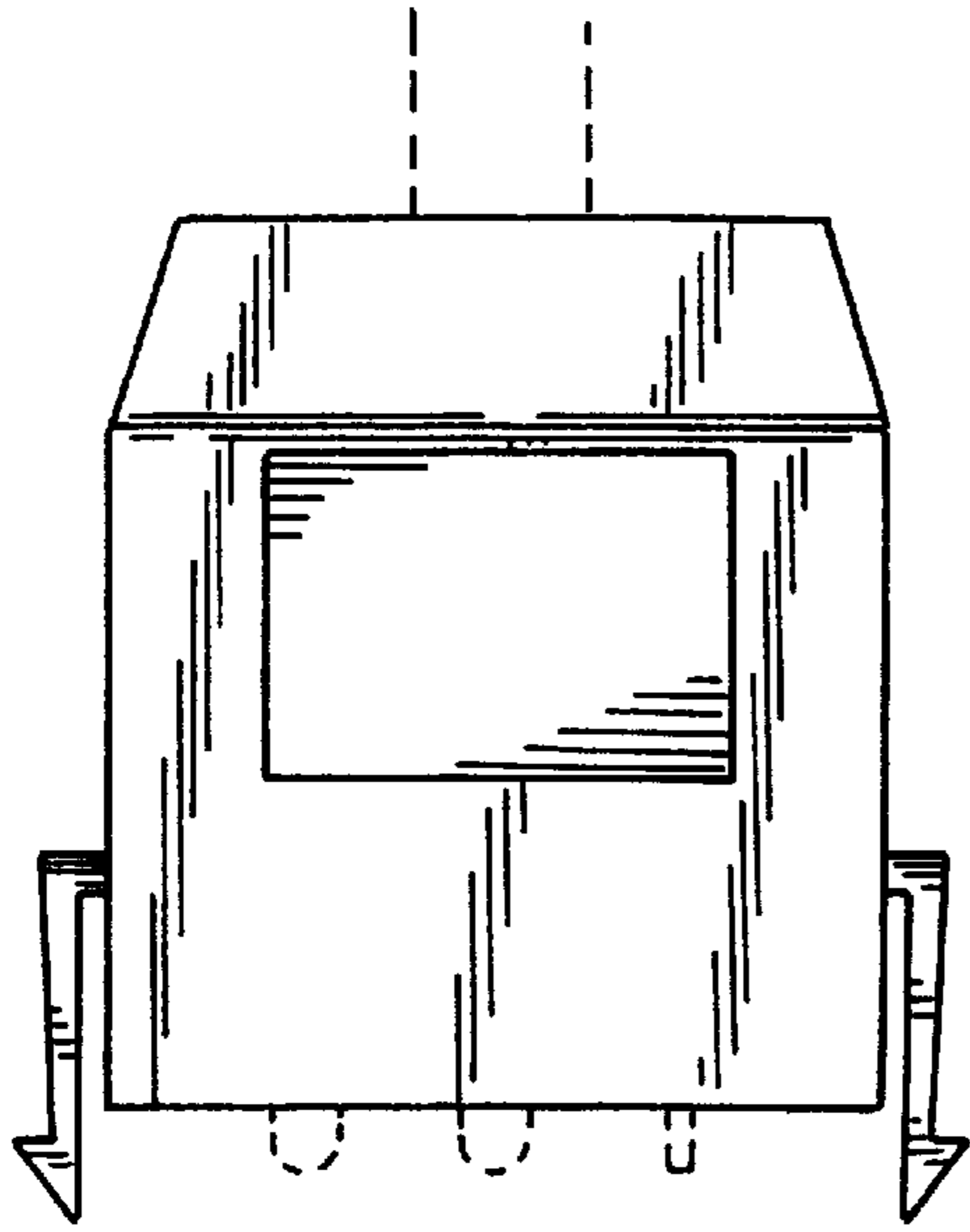
*FIG. 1*



*FIG. 2*

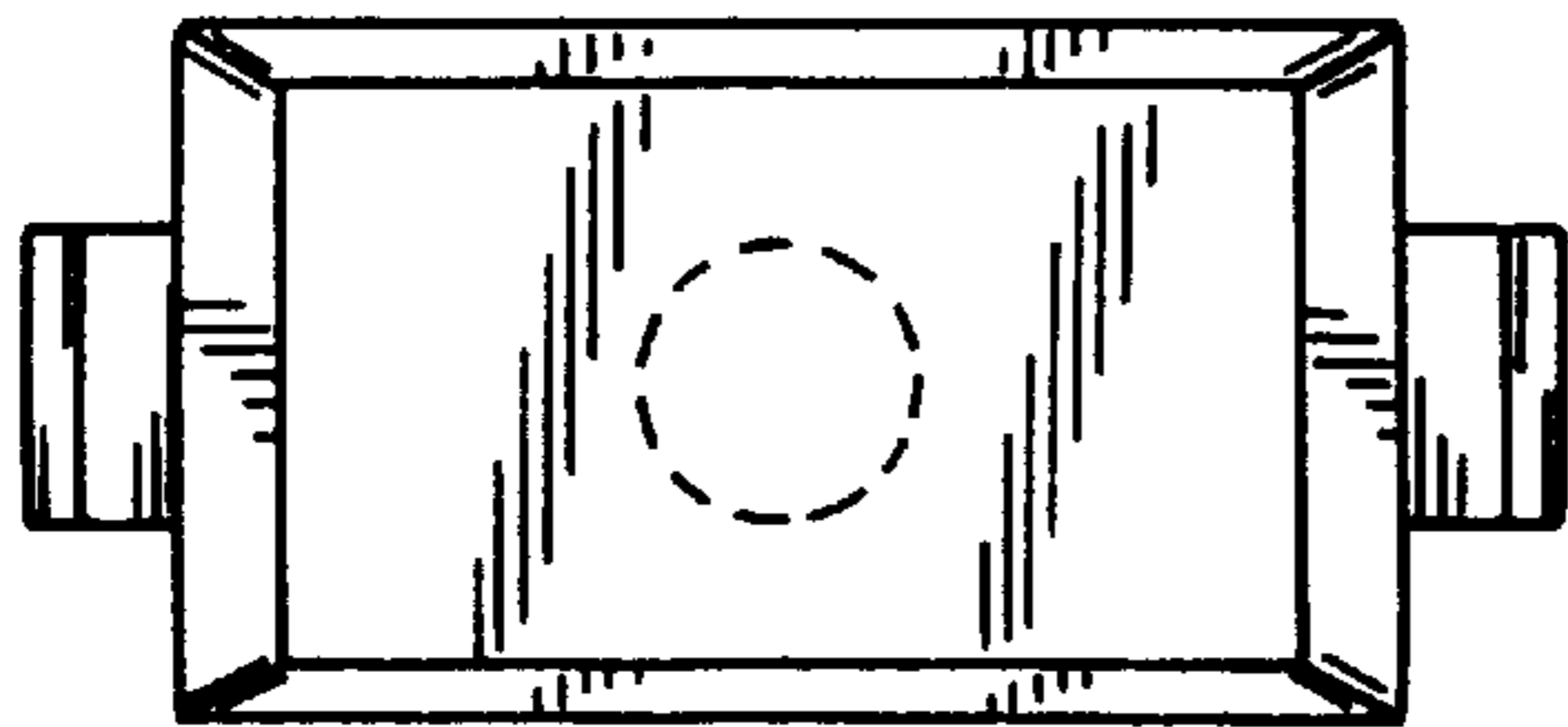
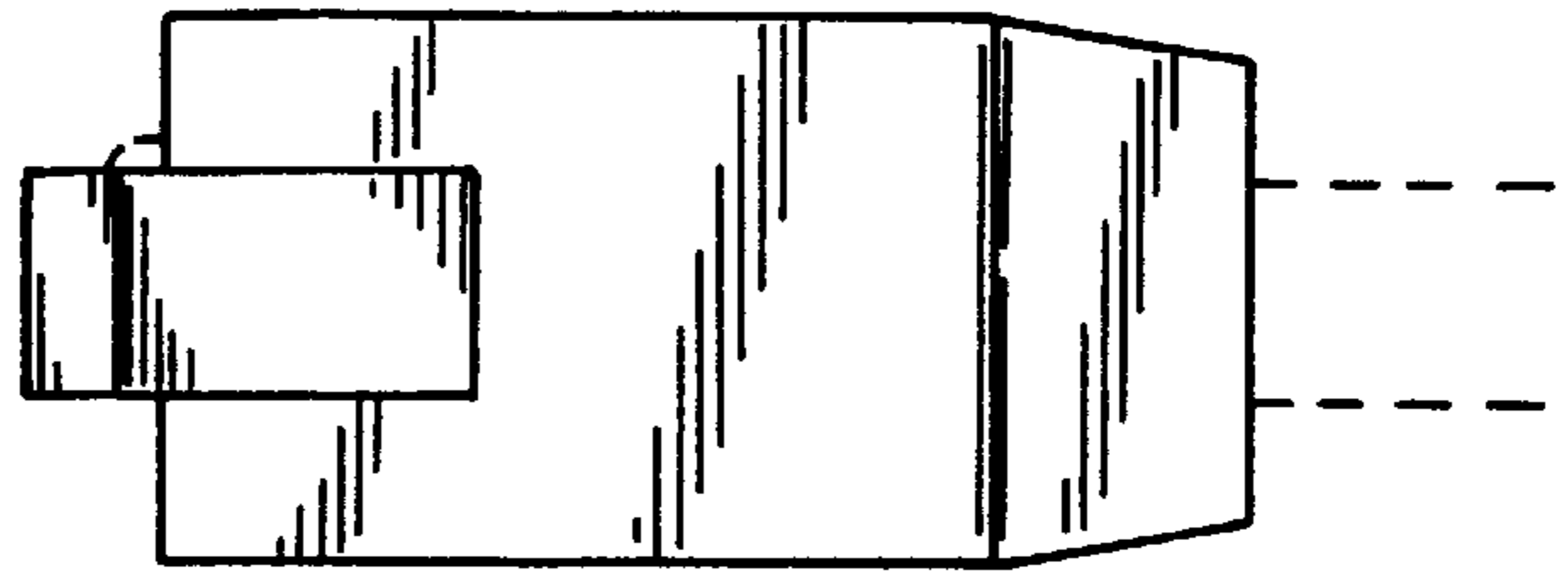
*FIG. 4*





*FIG. 3*

*FIG. 5*



*FIG. 6*

*FIG. 7*

