



US00D437827S

(12) **United States Design Patent**
Gershfeld

(10) **Patent No.:** **US D437,827 S**

(45) **Date of Patent:** **** Feb. 20, 2001**

(54) **CONCEALABLE TABLE-TOP
INTERCONNECT BOX FOR COMPUTER
AND AUDIO VISUAL EQUIPMENT**

DESCRIPTION

(76) Inventor: **Jack Gershfeld**, 615 Del Rio Way,
Fullerton, CA (US) 92835

(**) Term: **14 Years**

(21) Appl. No.: **29/121,422**

(22) Filed: **Apr. 6, 2000**

(51) **LOC (7) Cl.** **13-03**

(52) **U.S. Cl.** **D13/139.4**

(58) **Field of Search** 431/131, 142,
431/371, 449, 639, 650; 174/48, 53, 57,
67, 17 CT; D13/139.4, 139.6

(56) **References Cited**

U.S. PATENT DOCUMENTS

D. 353,363	*	12/1994	Toby	D13/139.4
5,122,069	*	6/1992	Brownlie et al.	439/131
5,575,668	*	11/1996	Timmerman	439/131
5,980,279	*	11/1999	Miller	439/142

* cited by examiner

Primary Examiner—Susan J. Lucas

Assistant Examiner—Jennifer Rivard

(74) *Attorney, Agent, or Firm*—Vladimir Khiterer

(57) **CLAIM**

The ornamental design for a concealable table-top interconnect box for computer and audio visual equipment, as shown and described.

FIG. 1 is a perspective view of a concealable table-top interconnect box for computer and audio visual equipment in an open position. The broken lines are to illustrate an environment only and form no part of the claimed design.

FIG. 2 is a perspective view of thereof in a concealed position. The broken lines are to illustrate an environment only and form no part of the claimed design.

FIG. 3 is a front elevational view thereof in an open position. The broken lines are to illustrate an environment only and form no part of the claimed design.

FIG. 4 is a front elevational thereof in a concealed position. The broken lines are to illustrate an environment only and form no part of the claimed design.

FIG. 5 is a back elevational view thereof in an open position. The broken lines are to illustrate an environment only and form no part of the claimed design.

FIG. 6 is a back elevational view thereof in a concealed position. The broken lines are to illustrate an environment only and form no part of the claimed design.

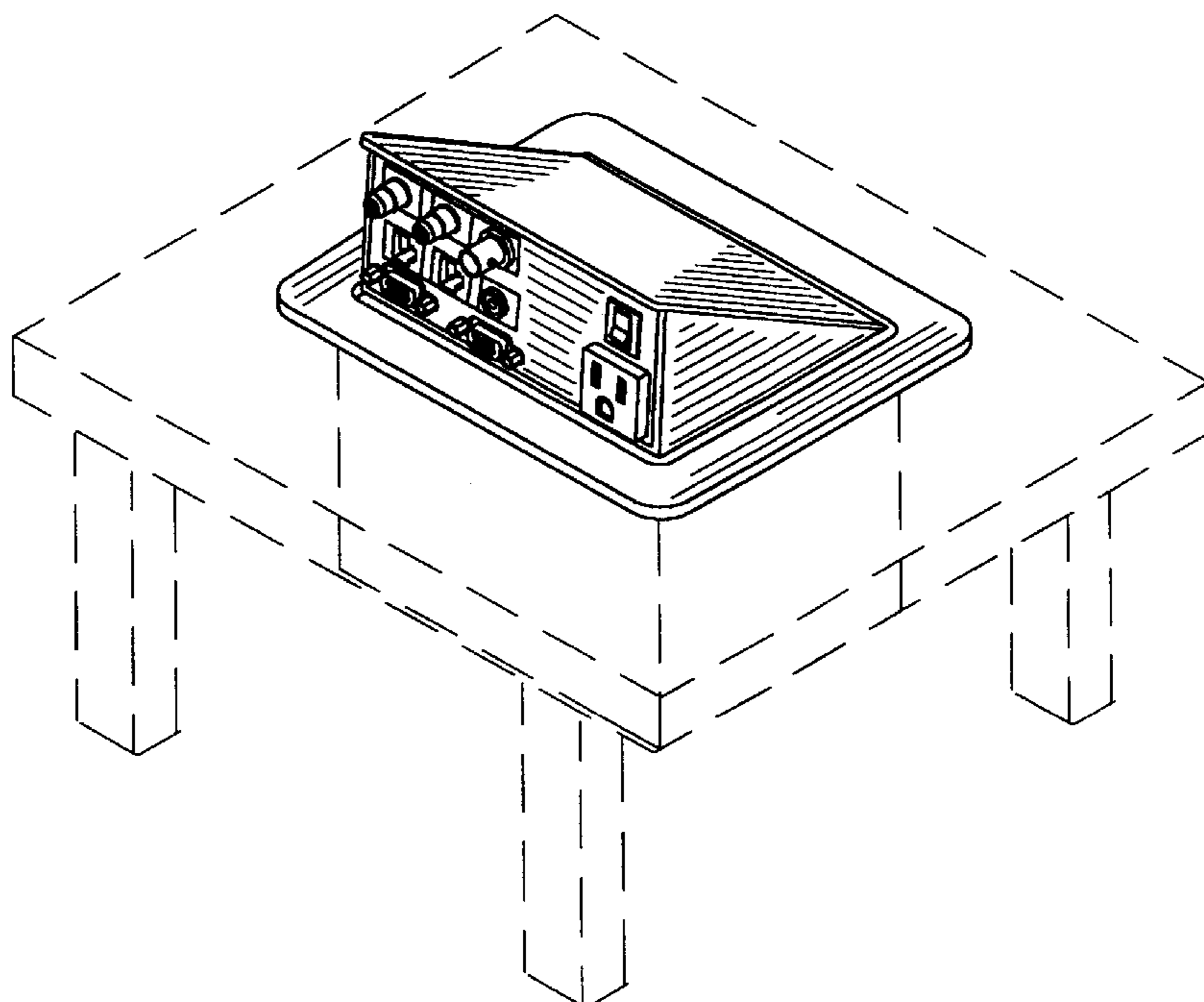
FIG. 7 is a left side elevational view thereof in an open position. The broken lines are to illustrate an environment only and form no part of the claimed design.

FIG. 8 is a right side elevational view thereof in an open position. The broken lines are to illustrate an environment only and form no part of the claimed design; and,

FIG. 9 is a top plan view thereof.

The appearance of the bottom forms no part of the claimed design.

1 Claim, 9 Drawing Sheets



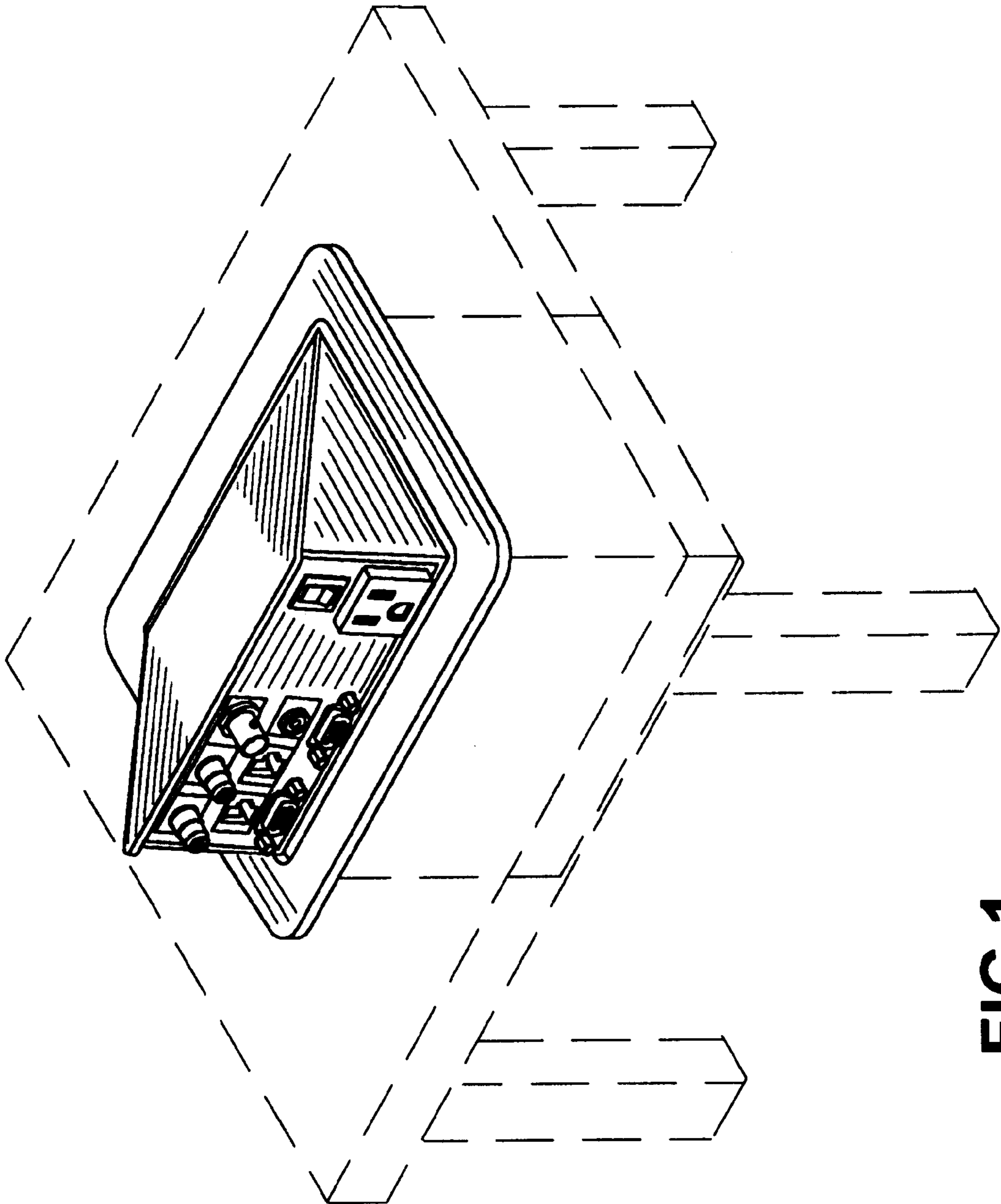


FIG.1

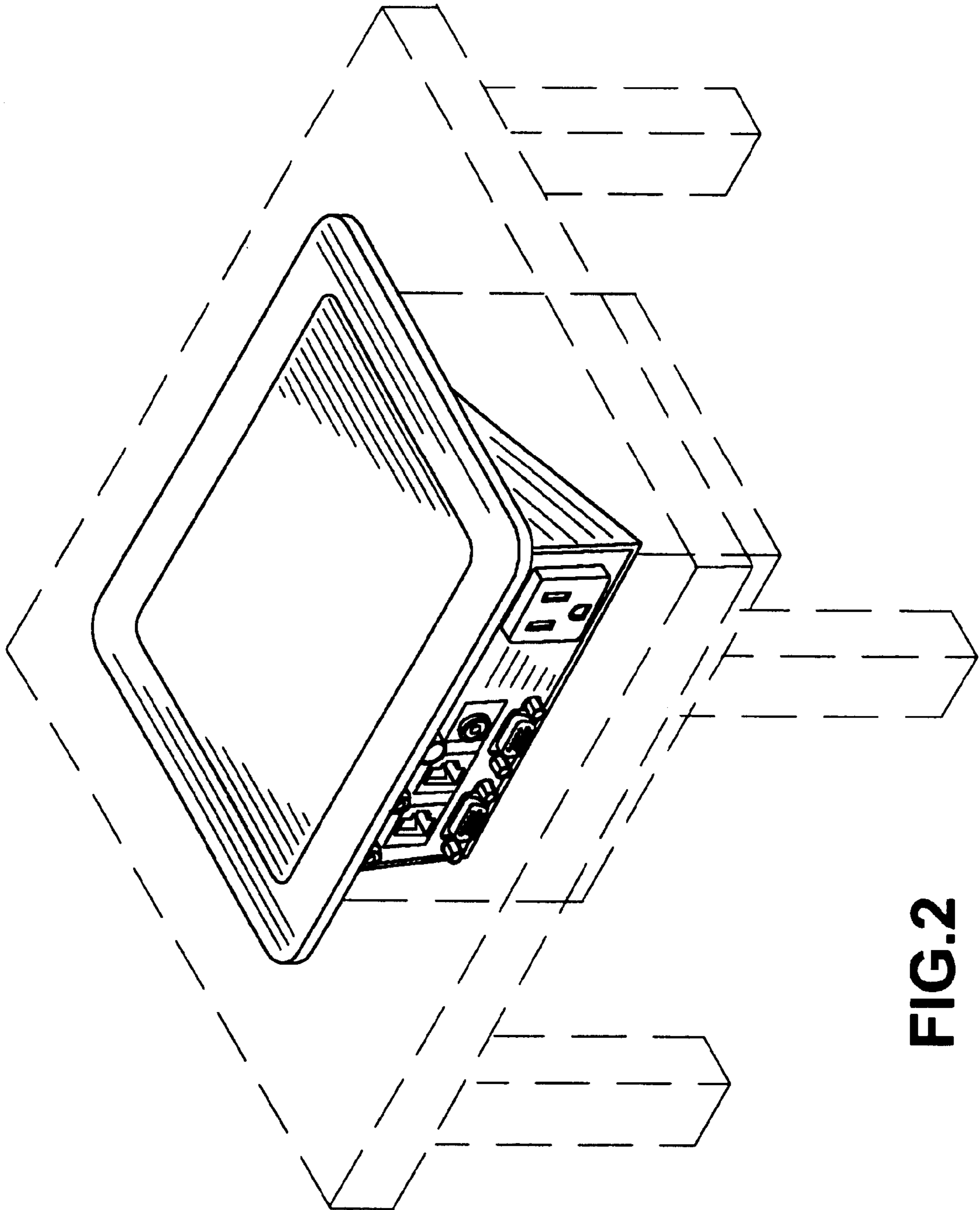


FIG.2

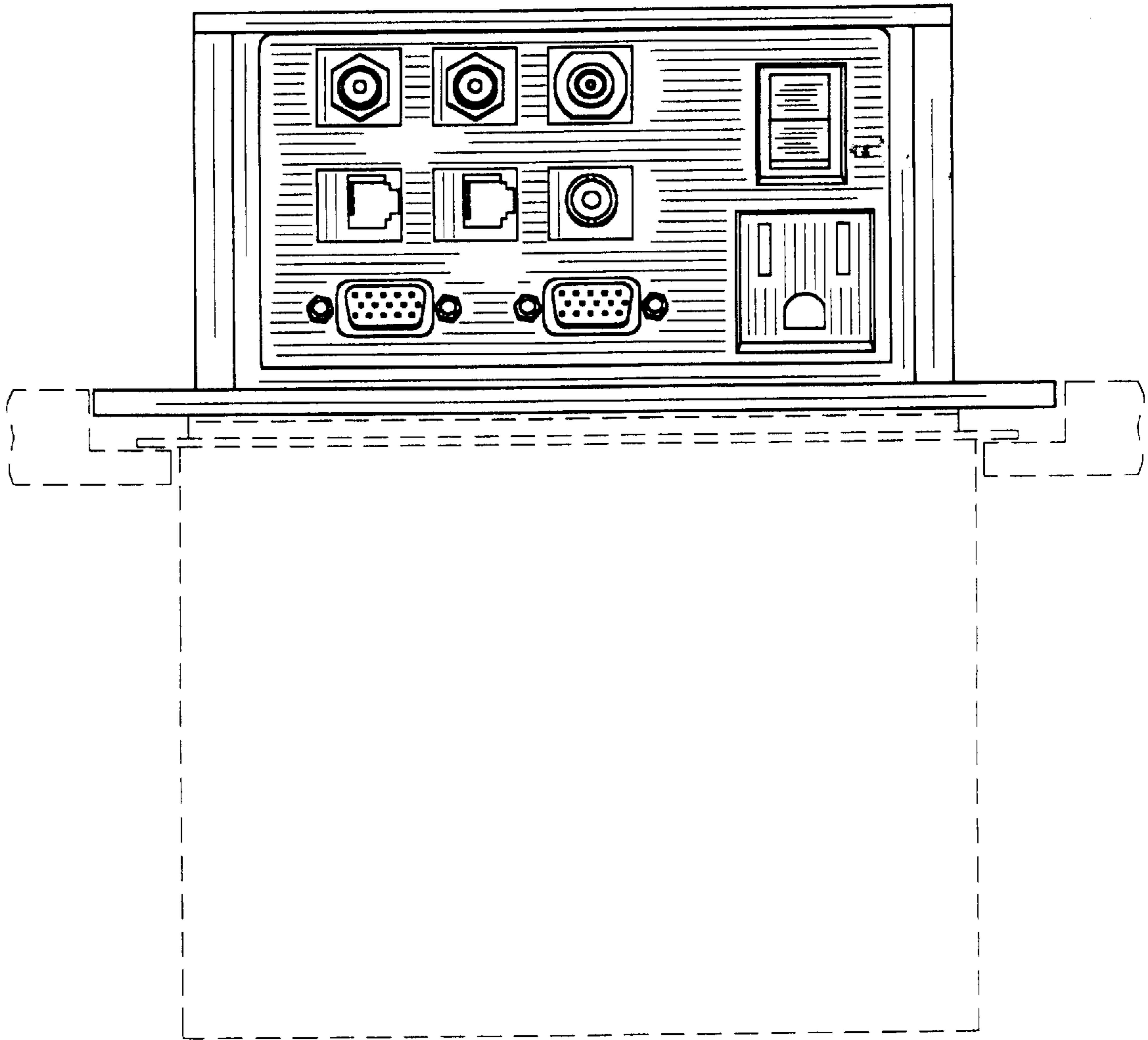


FIG.3

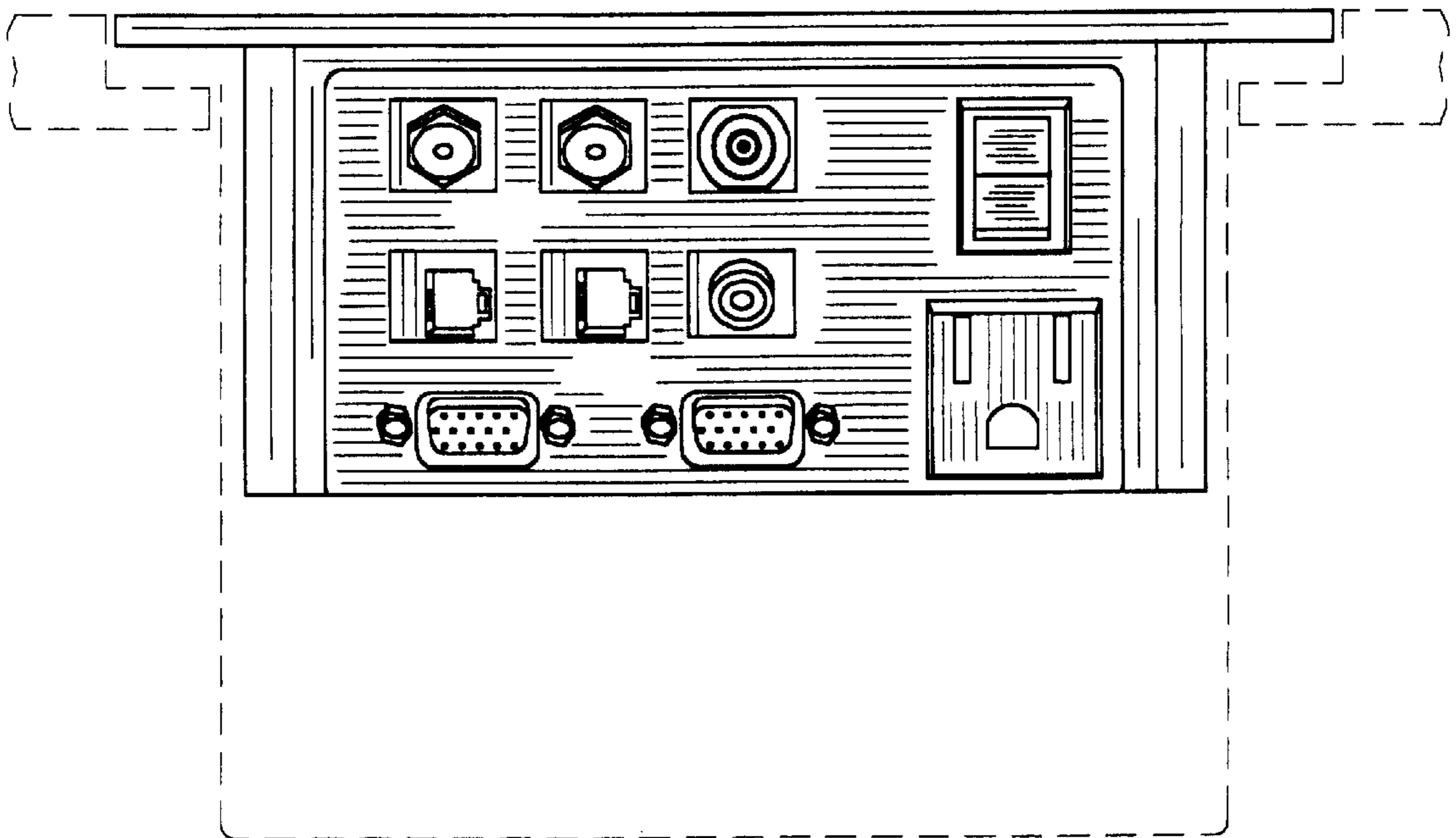


FIG.4

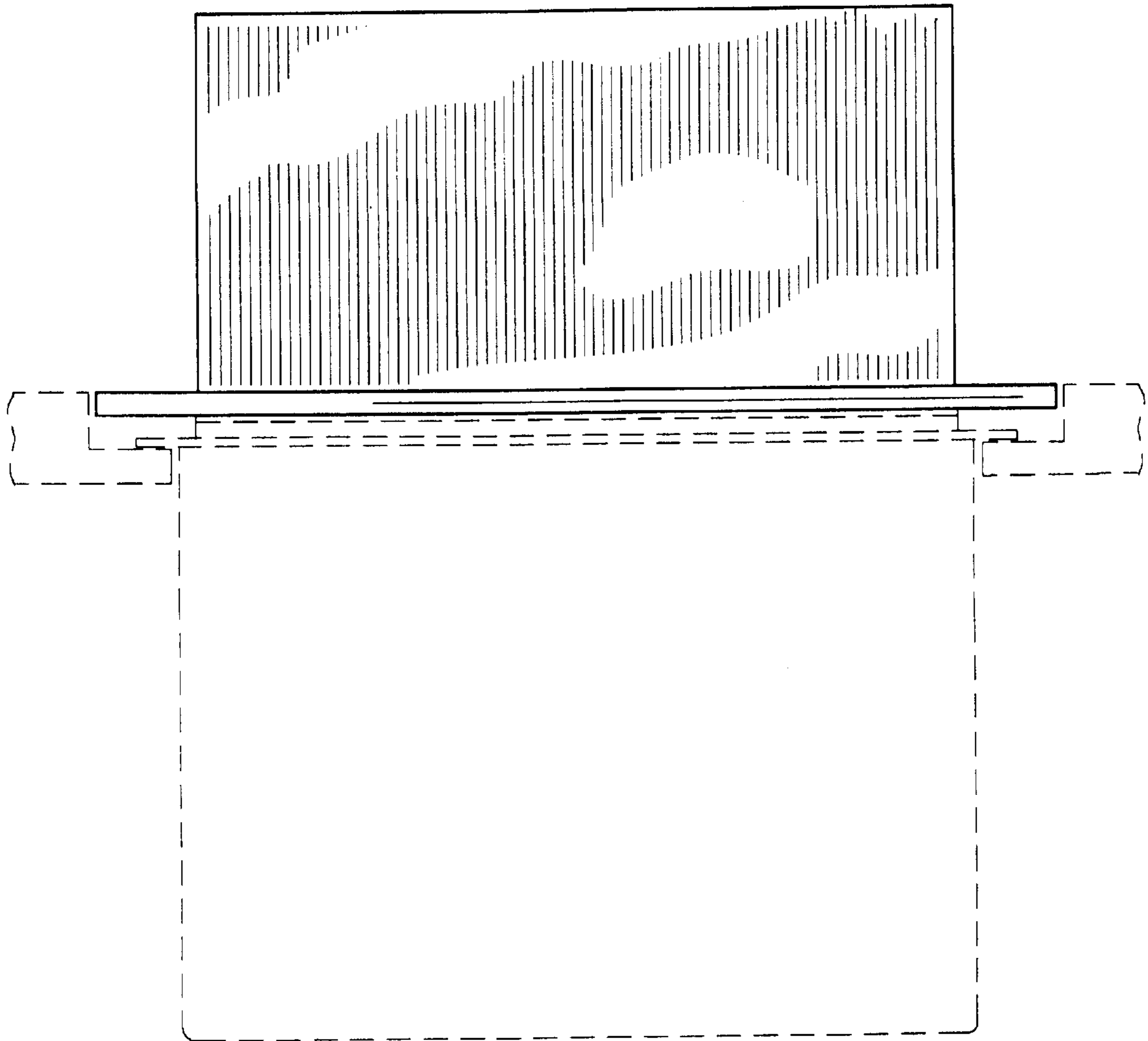


FIG.5

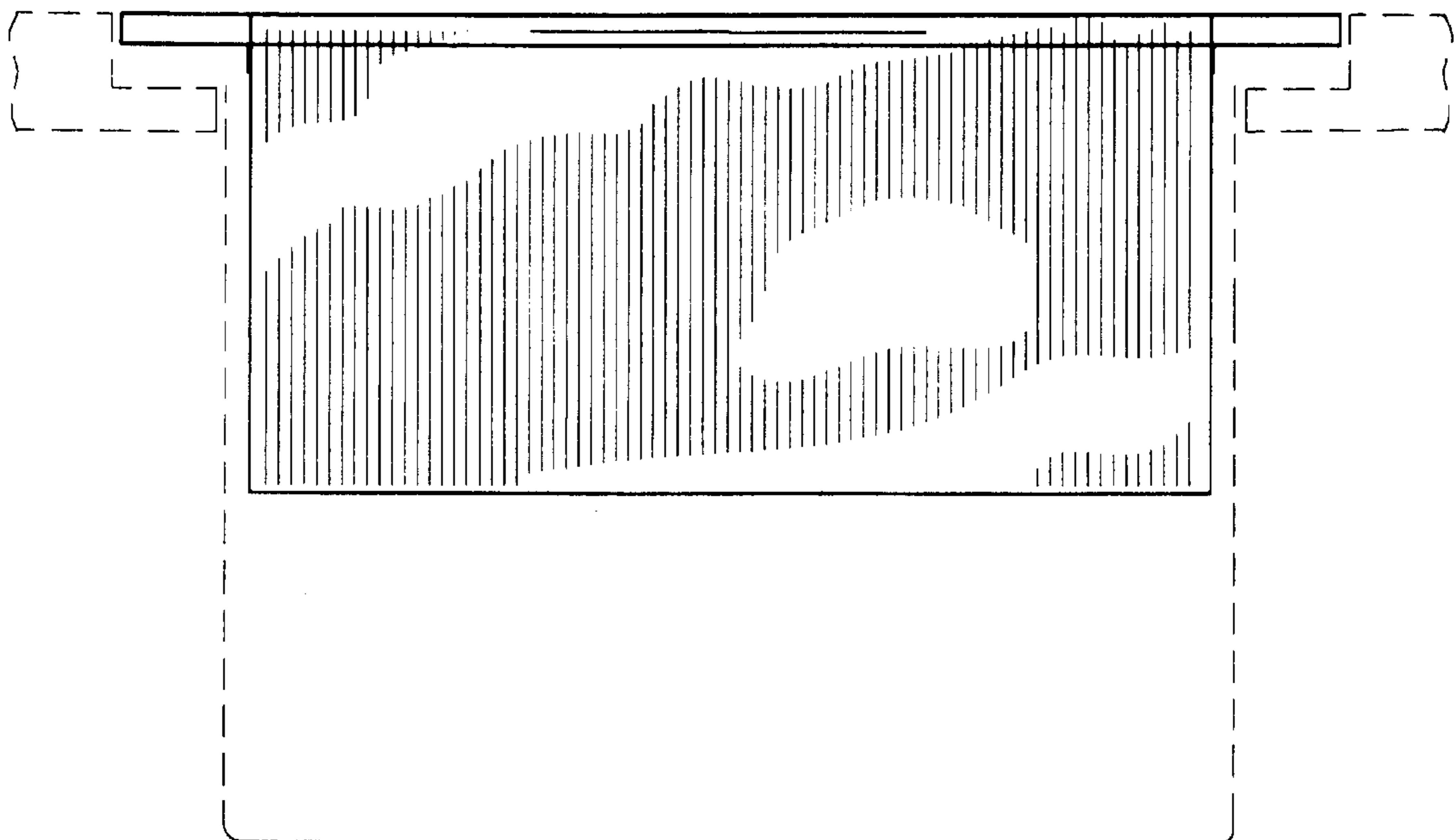


FIG.6

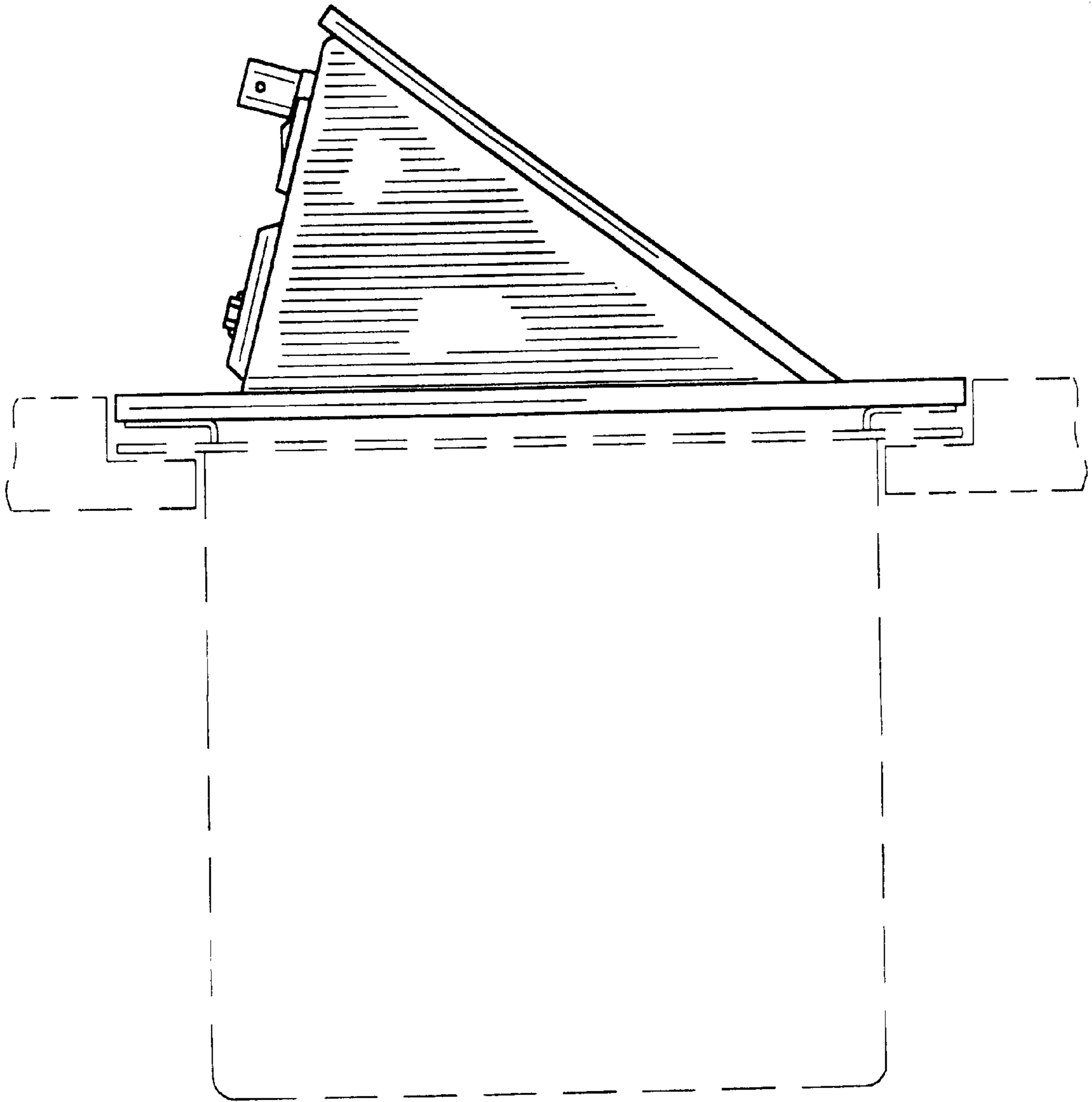


FIG. 7

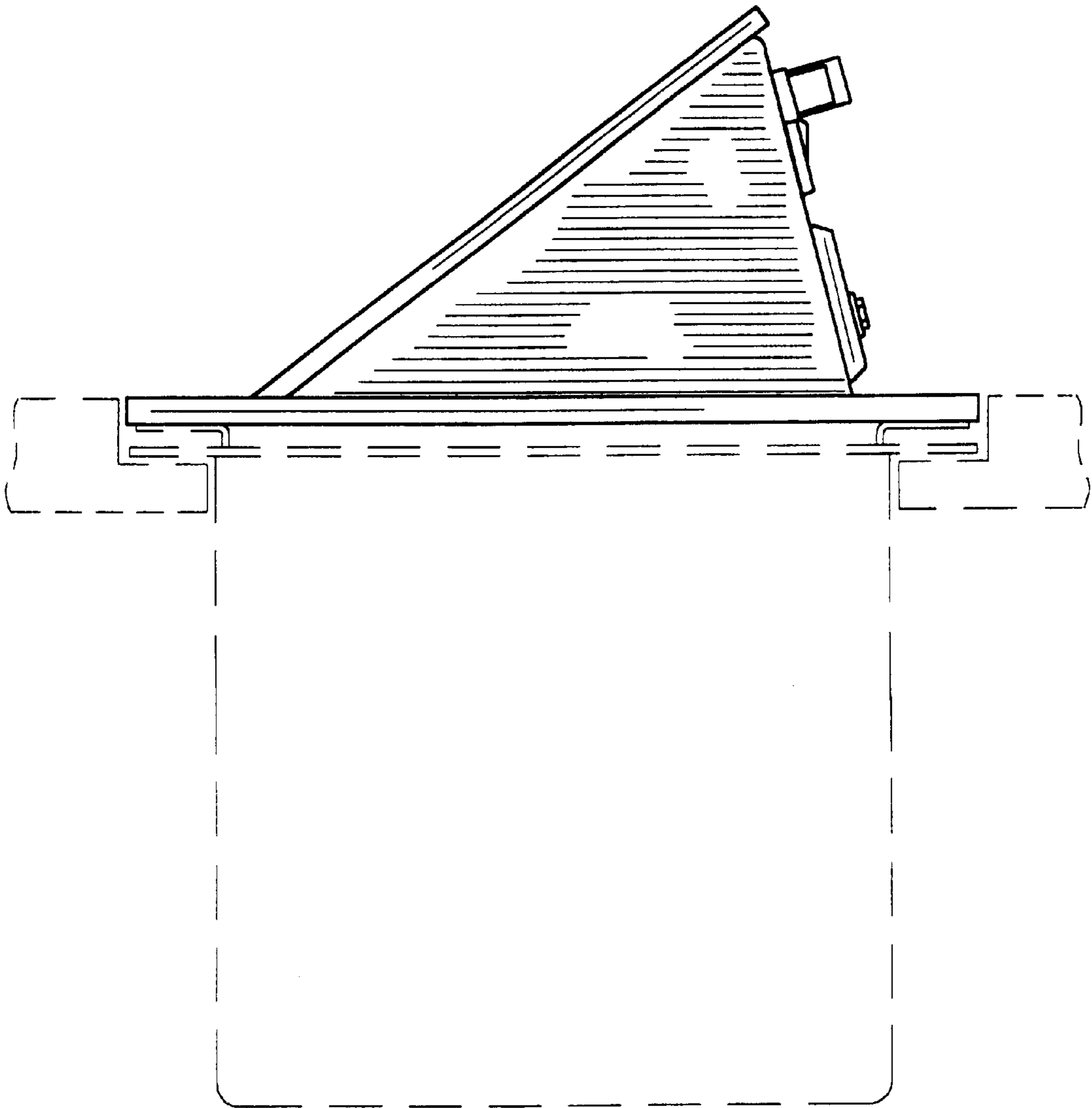


FIG.8

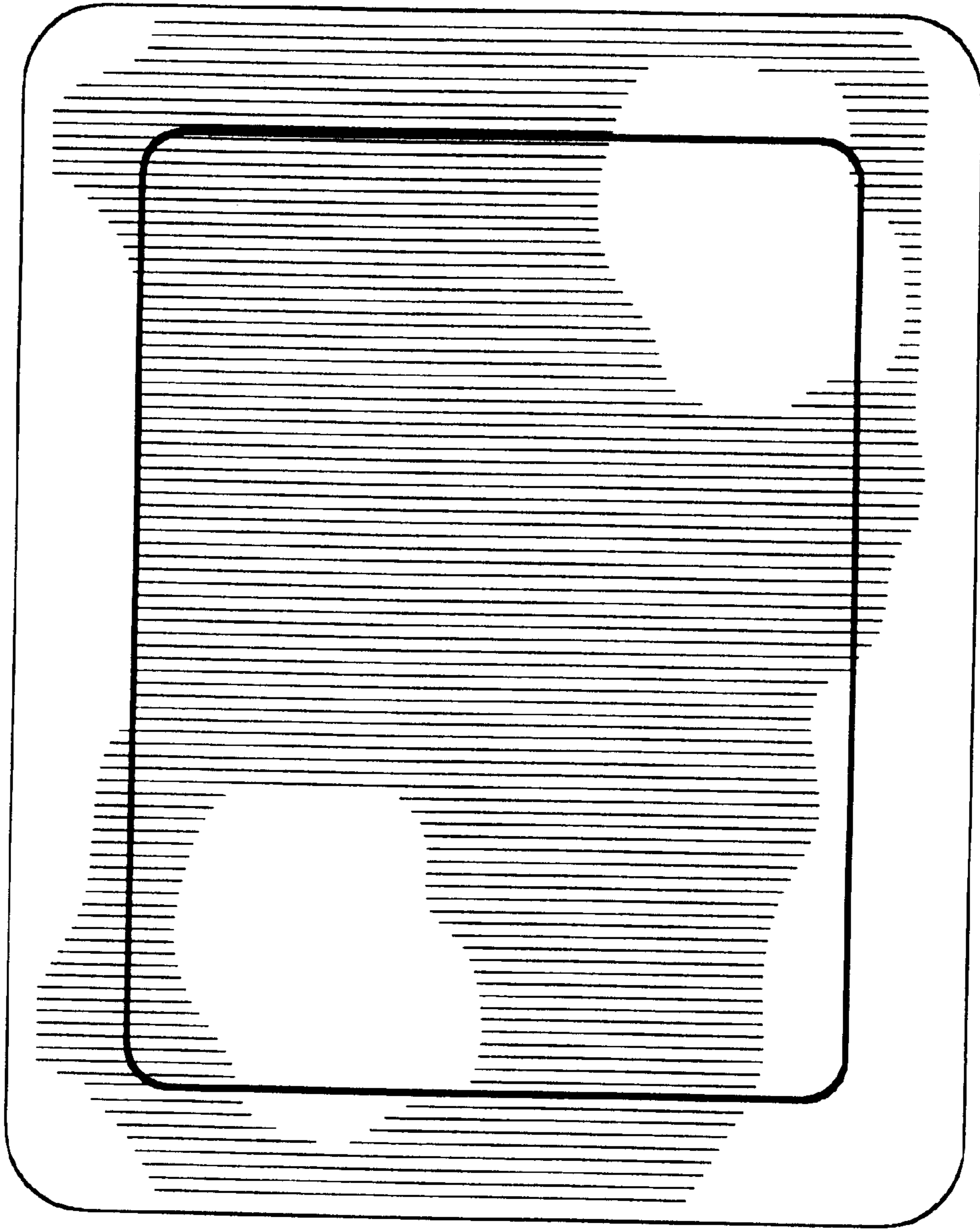


FIG.9