



US00D437826S

(12) **United States Design Patent**  
**Montena**

(10) **Patent No.:** **US D437,826 S**

(45) **Date of Patent:** **\*\* Feb. 20, 2001**

(54) **CLOSED COMPRESSION-TYPE COAXIAL CABLE CONNECTOR**

(75) Inventor: **Noah P. Montena**, Syracuse, NY (US)

(73) Assignee: **John Mezzalingua Associates, Inc.**, East Syracuse, NY (US)

(\*\*) Term: **14 Years**

(21) Appl. No.: **29/122,506**

(22) Filed: **Apr. 28, 2000**

**Related U.S. Application Data**

(63) Continuation of application No. 08/910,509, filed on Aug. 2, 1997.

(51) **LOC (7) Cl.** ..... **13-03**

(52) **U.S. Cl.** ..... **D13/133; D13/151**

(58) **Field of Search** ..... **D13/133, 149, D13/151; 439/578, 583, 584, 585**

(56) **References Cited**

**U.S. PATENT DOCUMENTS**

2,258,737	10/1941	Browne .....	173/332
3,184,706	5/1965	Atkins .....	339/177
3,275,913	9/1966	Blanchard .	
3,355,698	11/1967	Keller .....	339/97
3,406,373	10/1968	Forney, Jr. .	
3,498,647	3/1970	Schroder .....	275/343
3,629,792	12/1971	Dorrell .....	339/60
3,671,922	6/1972	Zerlin et al. ....	339/74
3,710,005	1/1973	French .....	174/89
3,845,453	10/1974	Hemmer .....	339/59
3,915,539	10/1975	Collins .....	339/94
3,936,132	2/1976	Hutter .....	339/130
3,985,418	10/1976	Spinner .	
4,046,451	9/1977	Juds et al. ....	339/177
4,053,200	10/1977	Pugner .....	339/177
4,059,330	11/1977	Shirey .	
4,126,372	11/1978	Hashimoto et al. ....	339/177
4,168,921	9/1979	Blanchard .	
4,227,765	10/1980	Neumann et al. ....	339/143

4,280,749	7/1981	Hemmer .....	339/177
4,339,166	7/1982	Dayton .....	339/100
4,346,958	8/1982	Blanchard .	
4,373,767	2/1983	Cairns .....	339/94
4,400,050	8/1983	Hayward .....	339/177
4,408,822	10/1983	Nikitas .....	339/177
4,444,453	4/1984	Kirby et al. ....	339/177
4,484,792	11/1984	Tengler et al. ....	339/143

(List continued on next page.)

**FOREIGN PATENT DOCUMENTS**

1 191 880	4/1954	(DE) .
32 11 008	10/1983	(DE) .
1087 228	10/1967	(GB) .
1270846	4/1972	(GB) .
2079 549	1/1982	(GB) .

**OTHER PUBLICATIONS**

Raychem Promotional Materials: "The EZF connector is the easy way to fight RFleakage, moisture damage and corrosion," production No. LRC 1447-1460.

*Primary Examiner*—Joel Sincavage

(74) *Attorney, Agent, or Firm*—Pennie & Edmonds LLP

(57) **CLAIM**

The ornamental design for a closed compression-type coaxial cable connector, as shown and described.

**DESCRIPTION**

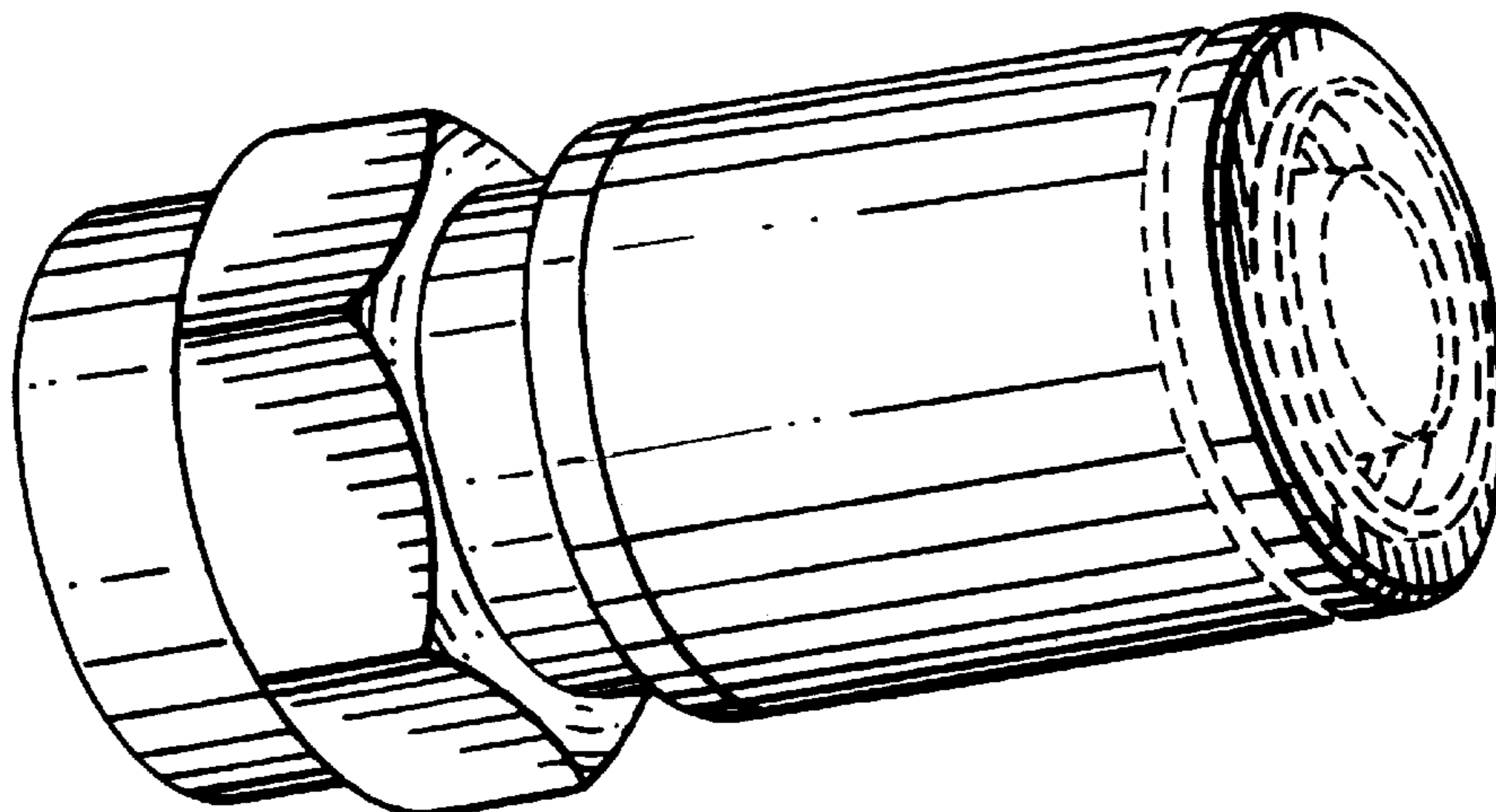
FIG. 1 is a perspective view of a closed compression-type coaxial cable connector according to the present invention, FIG. 2 is a side view thereof, all other side views being a mirror image thereof;

FIG. 3 is a bottom view thereof; and,

FIG. 4 is a top view thereof.

As is illustrated by the broken lines in FIGS. 1 and 2, applicant is not presently claiming the indentation on the outer component. Finally, as is illustrated by the broken lines of FIGS. 1-4, applicant is also not presently claiming any features of the inside of the connector.

**1 Claim, 1 Drawing Sheet**



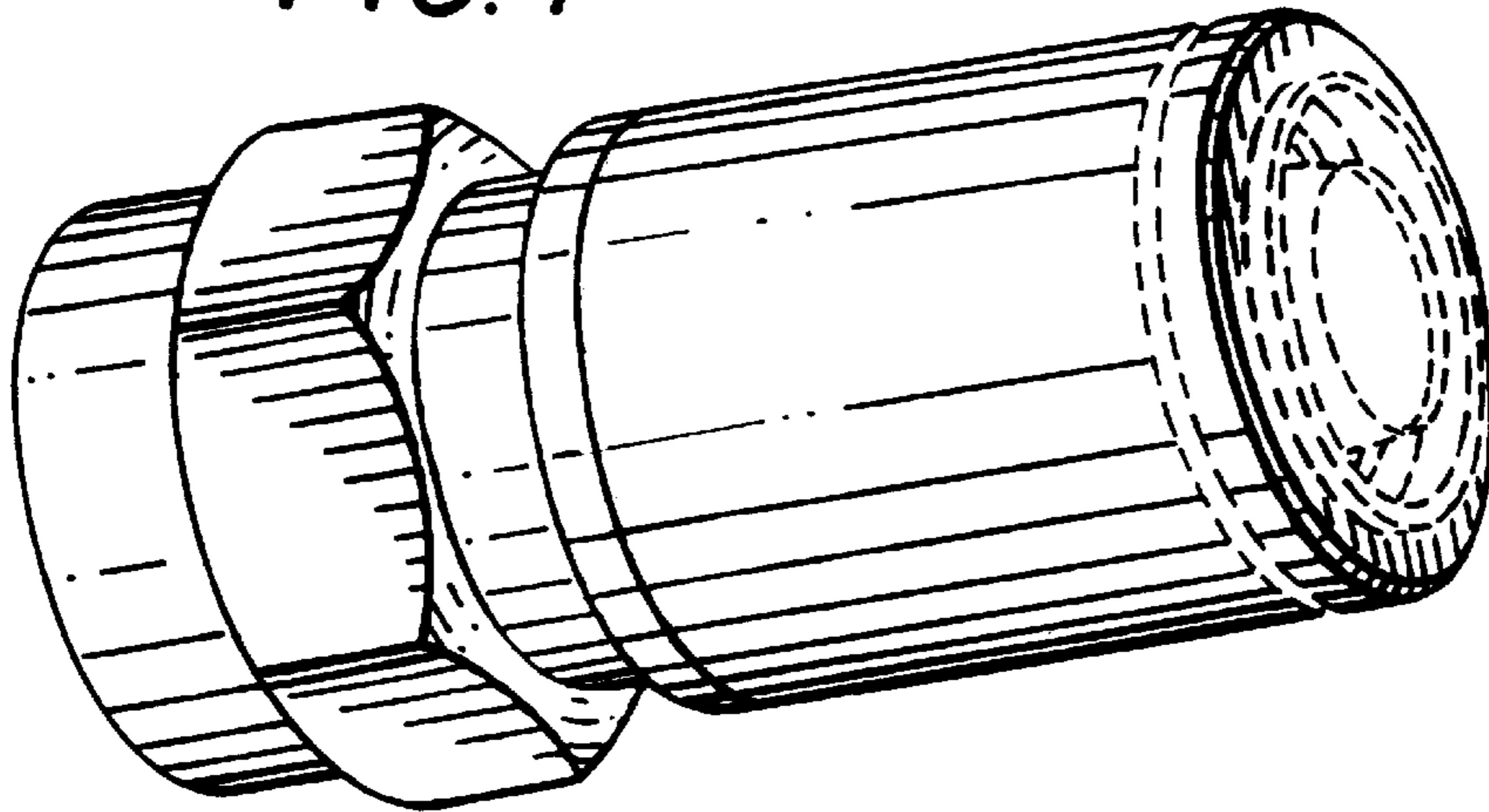
# US D437,826 S

Page 2

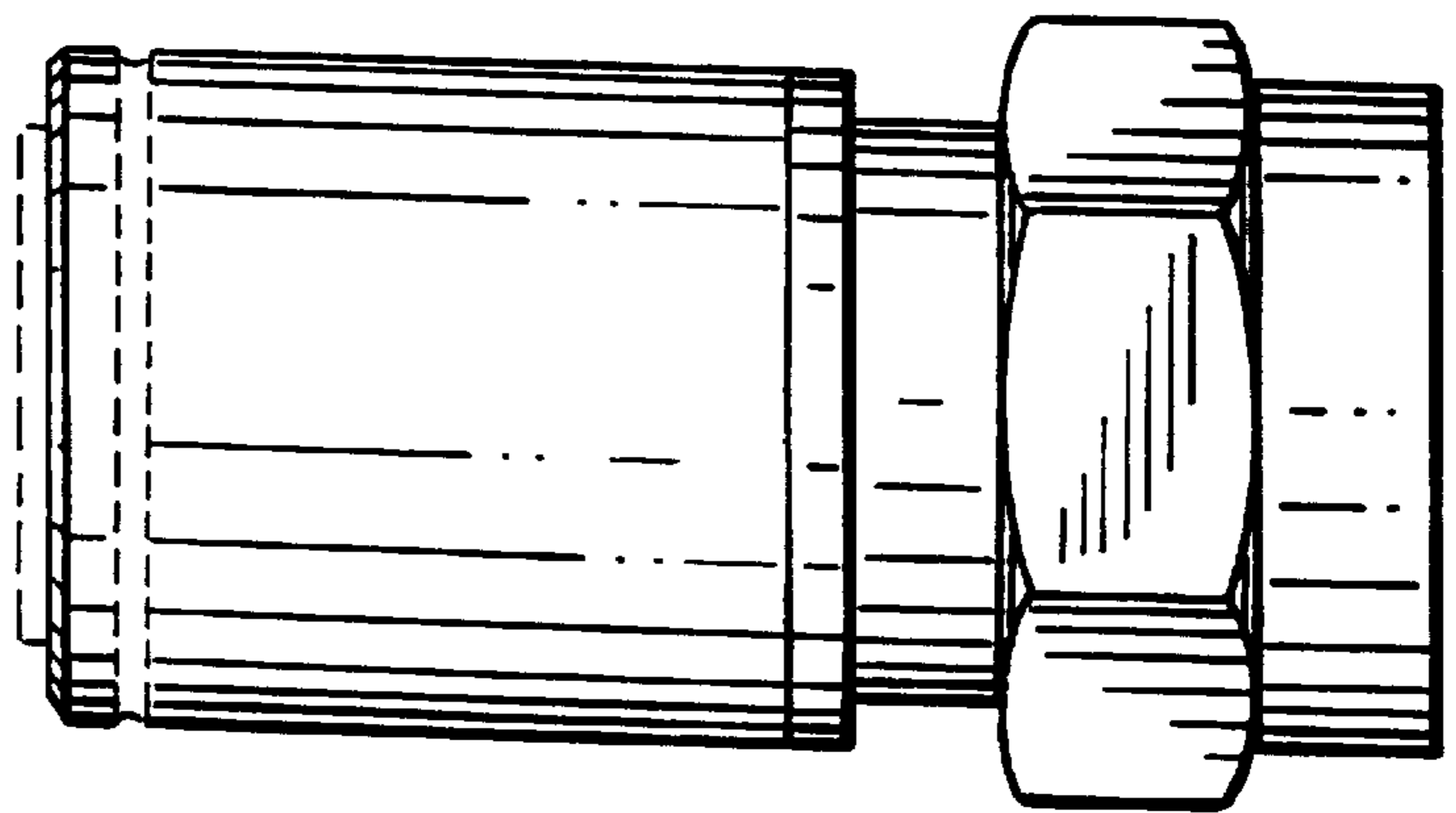
U.S. PATENT DOCUMENTS				
		5,073,129	12/1991	Szegda ..... 439/585
4,533,191	8/1985	5,083,943	1/1992	Tarrant ..... 439/583
4,545,637	10/1985	5,127,853	7/1992	McMills et al. .... 439/578
4,575,274	3/1986	5,131,862	7/1992	Gershfeld ..... 439/357
4,583,811	4/1986	5,141,451	8/1992	Down ..... 439/585
4,596,435	6/1986	5,181,161	1/1993	Hirose et al. .
4,600,263	7/1986	5,195,906	3/1993	Szegda .
4,614,390	9/1986	5,205,761	4/1993	Nilsson ..... 439/578
4,645,281	2/1987	5,207,602	5/1993	McMills et al. .... 439/836
4,650,228	3/1987	5,217,391	6/1993	Fisher, Jr. .... 439/578
4,655,159	4/1987	5,217,393	6/1993	Del Negro et al. .... 439/585
4,660,921	4/1987	5,269,701	12/1993	Leibfried, Jr. .... 439/578
4,668,043	5/1987	5,283,853	2/1994	Szegda .
4,674,818	6/1987	5,295,864	3/1994	Birch et al. .... 439/578
4,676,577	6/1987	5,316,494	5/1994	Flanagan et al. .... 439/352
4,691,976	9/1987	5,342,218	8/1994	McMills et al. .... 439/578
4,738,009	4/1988	5,371,819	12/1994	Szegda .
4,746,305	5/1988	5,371,821	12/1994	Szegda .
4,747,786	5/1988	5,371,827	12/1994	Szegda .
4,755,152	7/1988	5,393,244	2/1995	Szegda .
4,806,116	2/1989	5,431,583	7/1995	Szegda .
4,813,886	3/1989	5,444,810	8/1995	Szegda .
4,834,675	5/1989	5,455,548	10/1995	Grandchamp et al. .... 333/260
4,854,893	8/1989	5,456,611	10/1995	Henry et al. .... 439/180
4,857,014	8/1989	5,456,614	10/1995	Szegda .
4,869,679	9/1989	5,466,173	11/1995	Down ..... 439/584
4,892,275	1/1990	5,470,257	11/1995	Szegda ..... 439/578
4,902,246	2/1990	5,494,454	2/1996	Johnsen ..... 439/394
4,906,207	3/1990	5,501,616	3/1996	Holliday ..... 439/585
4,923,412	5/1990	5,525,076 *	6/1996	Down ..... 439/585
4,925,403	5/1990	5,542,861	8/1996	Anhalt et al. .... 439/578
4,929,188	5/1990	5,548,088	8/1996	Gray et al. .... 174/74
4,990,104	2/1991	5,598,132	1/1997	Stabile .
4,990,105	2/1991	5,651,699	7/1997	Holliday ..... 439/585
4,990,106	2/1991	5,667,405	9/1997	Holliday ..... 439/585
5,002,503	3/1991	5,975,951	11/1999	Burris et al. .... 439/585
5,021,010	6/1991	5,997,350	12/1999	Burris et al. .... 439/585
5,024,606	6/1991	6,032,358	3/2000	Wild ..... 29/863
5,037,328	8/1991	6,102,737 *	8/2000	Gohdes ..... 439/583
5,062,804	11/1991			
5,066,248	11/1991			

\* cited by examiner

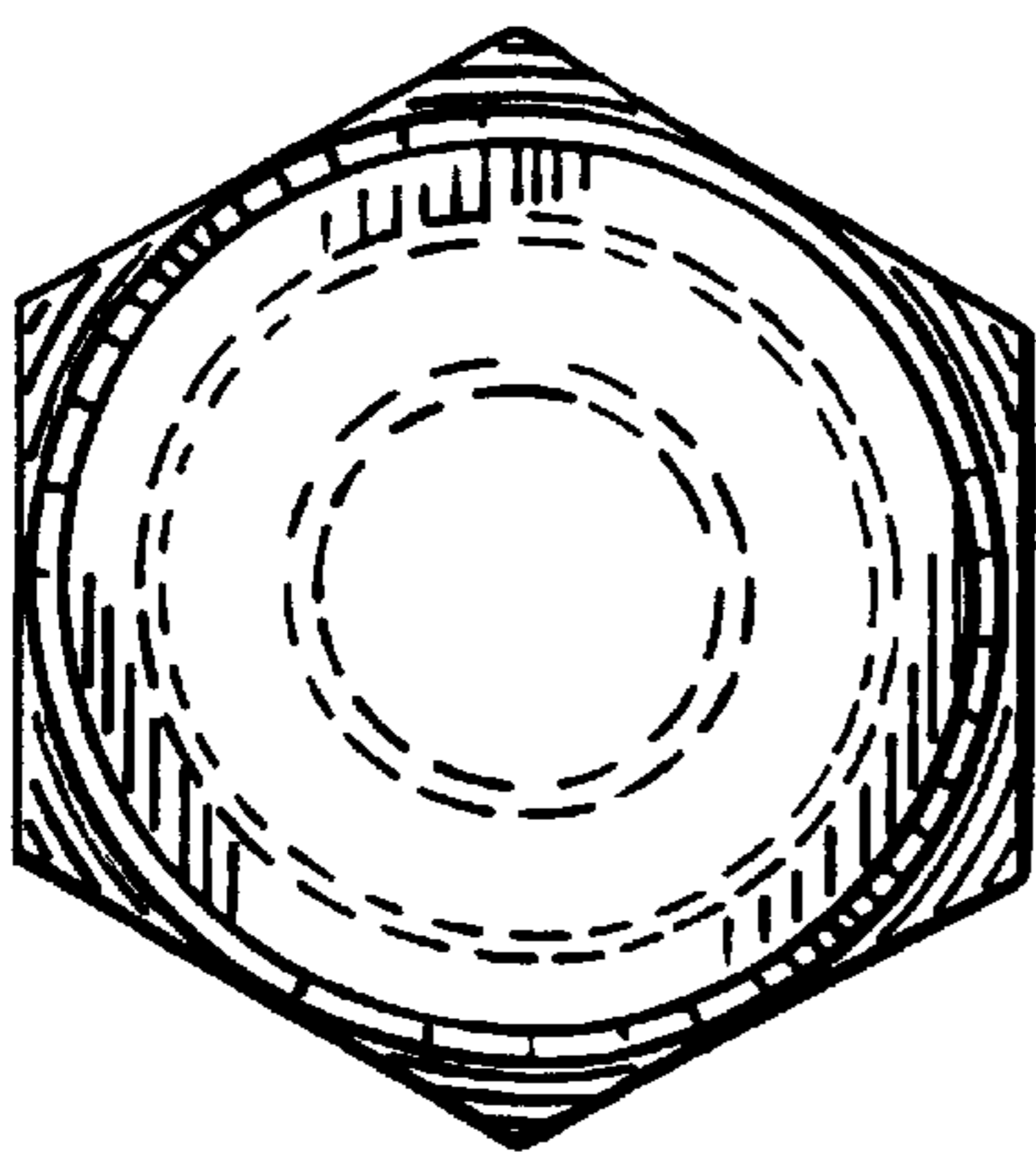
*FIG. 1*



*FIG. 2*



*FIG. 3*



*FIG. 4*

