



US00D437823S

(12) **United States Design Patent**
Fukumoto

(10) **Patent No.:** **US D437,823 S**

(45) **Date of Patent:** **** Feb. 20, 2001**

(54) **CARRIER FOR OFF-ROAD VEHICLE**

(75) Inventor: **Keishi Fukumoto**, Akashi (JP)

(73) Assignee: **Kawasaki Jukogyo Kabushiki Kaisha**,
Hyogo (JP)

(**) Term: **14 Years**

(21) Appl. No.: **29/110,051**

(22) Filed: **Aug. 27, 1999**

(30) **Foreign Application Priority Data**

Mar. 1, 1999 (JP) 11-5225
Mar. 1, 1999 (JP) 11-5226

(51) **LOC (7) Cl.** **12-16**

(52) **U.S. Cl.** **D12/407**

(58) **Field of Search** D12/407, 410;
224/452, 454, 413, 419, 430

(56) **References Cited**

U.S. PATENT DOCUMENTS

D. 363,267 * 10/1995 Gustleven D12/407
D. 378,080 2/1997 Walters et al. .
D. 421,737 * 3/2000 Kosuge et al. D12/407
D. 422,552 * 4/2000 Kosuge et al. D12/407

* cited by examiner

Primary Examiner—Melody N. Brown
(74) *Attorney, Agent, or Firm*—Marshall, O’Toole,
Gerstein, Murray & Borun

(57) **CLAIM**

The ornamental design for a carrier for an off-road vehicle,
as shown and described.

DESCRIPTION

FIG. 1 is a perspective view of a carrier installed on an
off-road vehicle showing my new design;
FIG. 2 is a perspective view of a carrier for an off-road
vehicle showing my new design;
FIG. 3 is a front elevational view thereof;
FIG. 4 is a rear elevational view thereof;
FIG. 5 is a top plan view thereof;
FIG. 6 is a bottom plan view thereof;
FIG. 7 is a side elevational view thereof, the opposite side
elevational view being a mirror image;
FIG. 8 is a perspective view of a second embodiment
showing my new design; and,
FIG. 9 is a top plan view of my second embodiment of FIG.
8.

The vehicle portions shown in broken lines are for illustra-
tive purposes only and form no part of the claimed design.

1 Claim, 8 Drawing Sheets

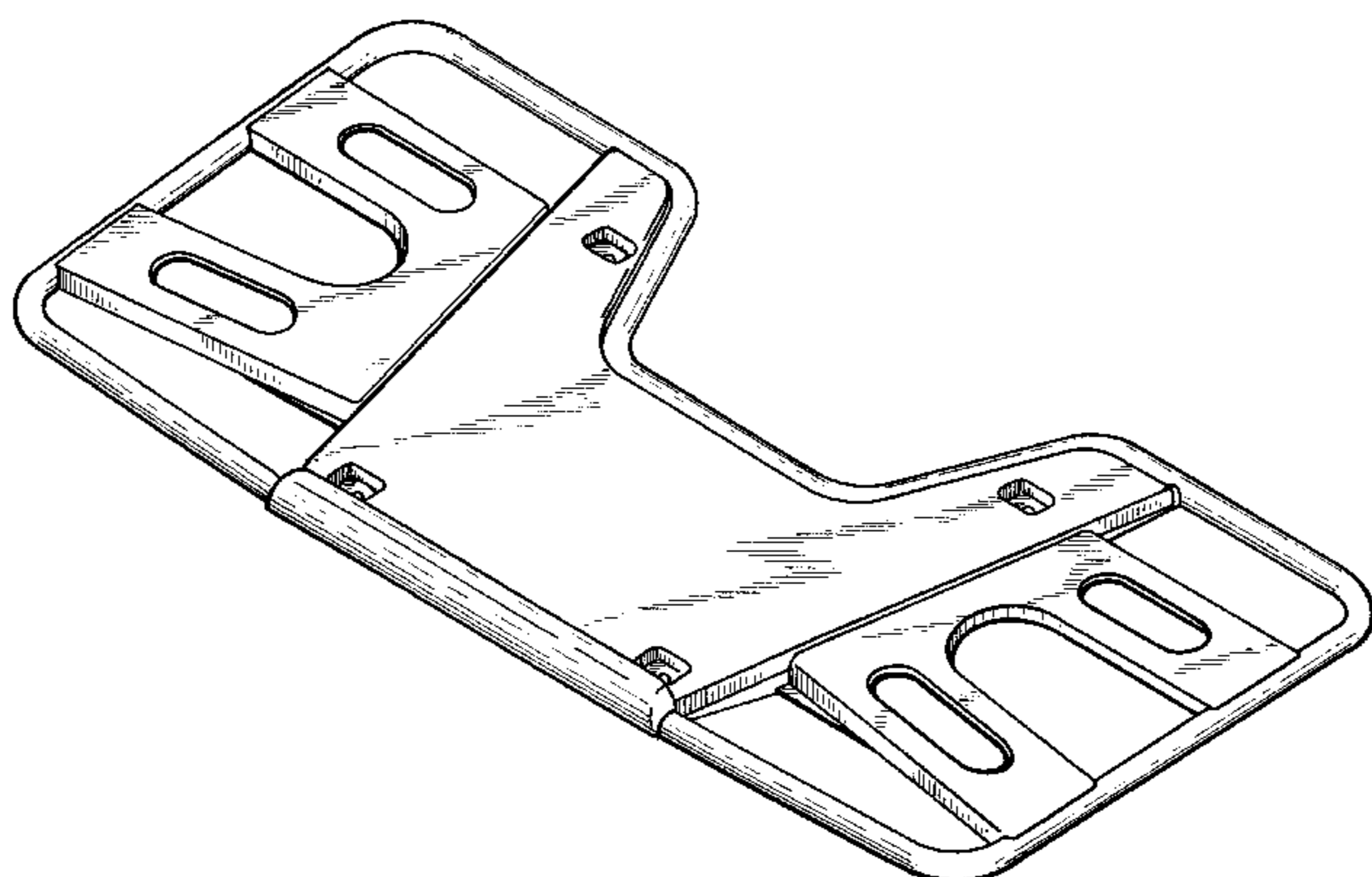
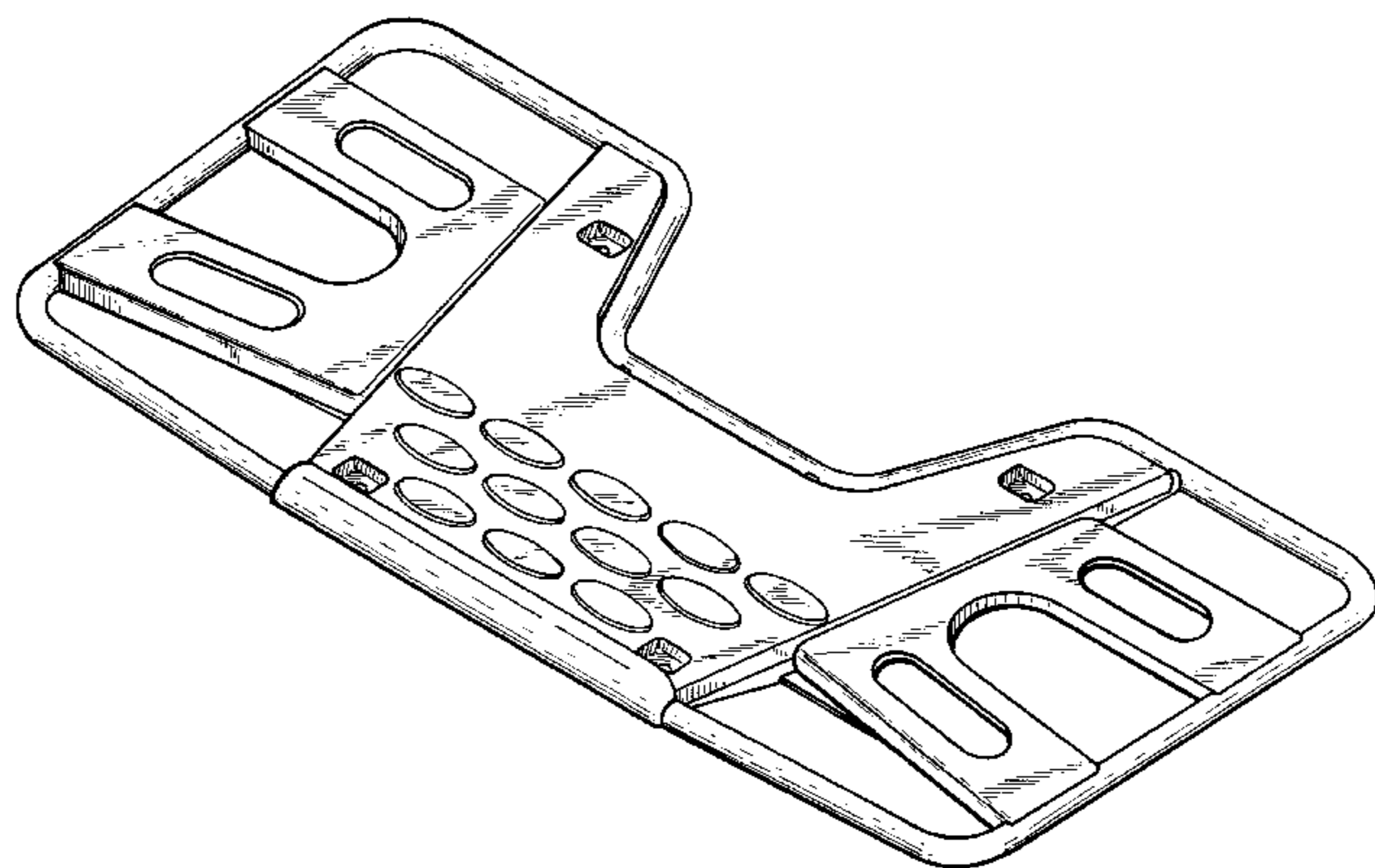


FIG. 1

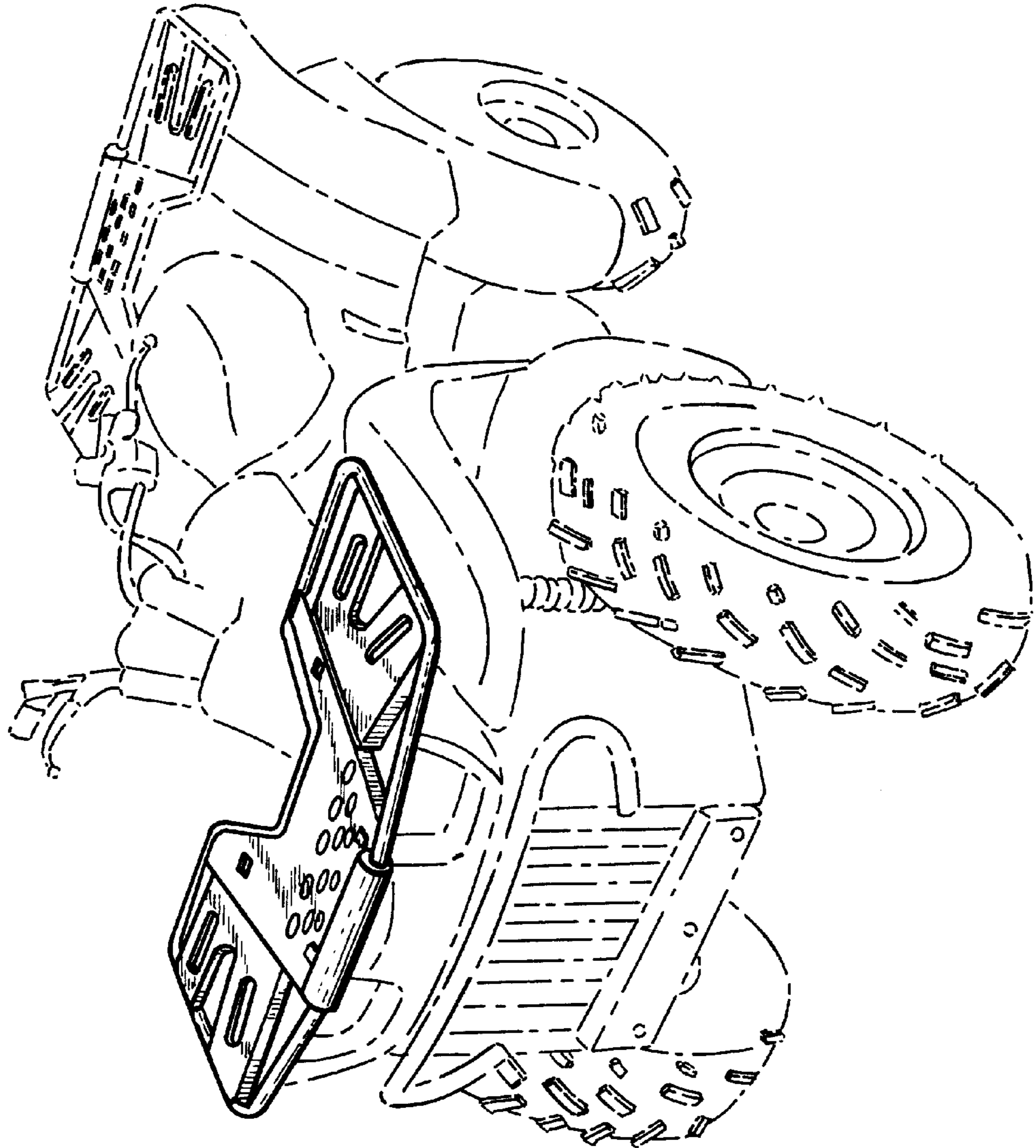
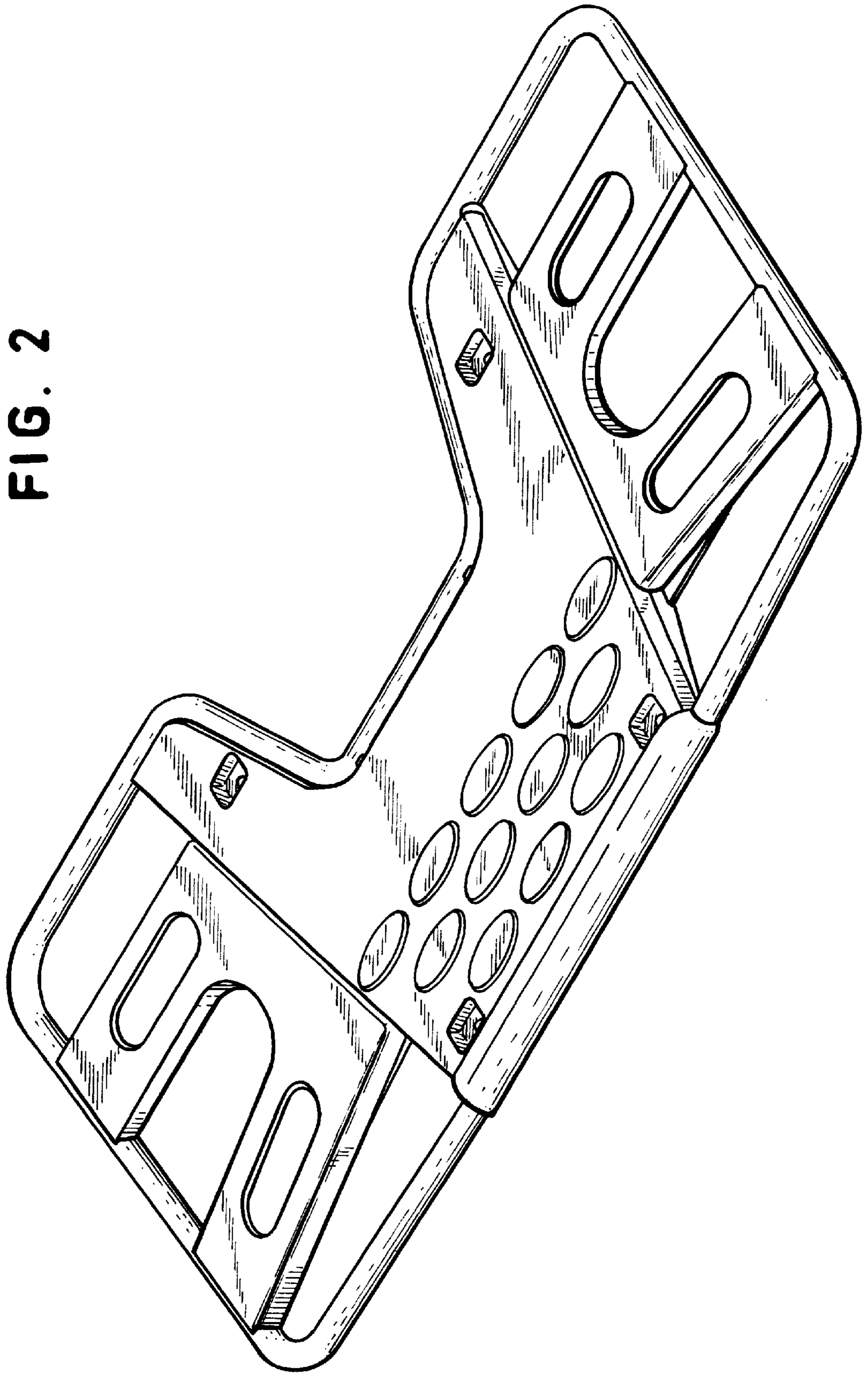


FIG. 2



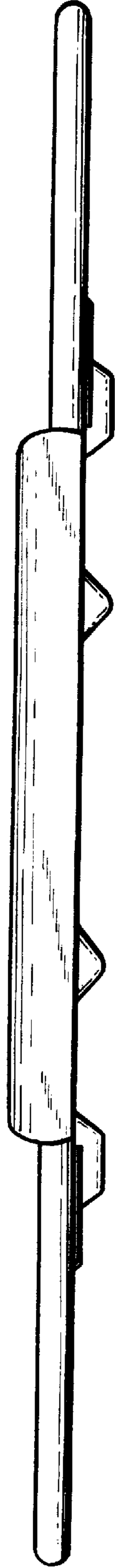


FIG. 3

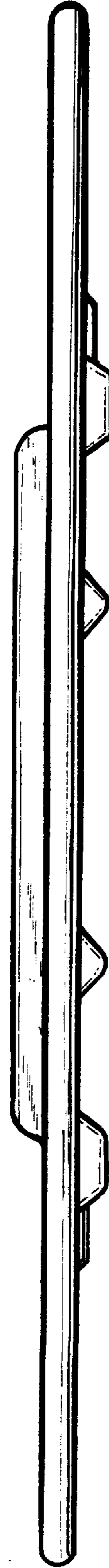
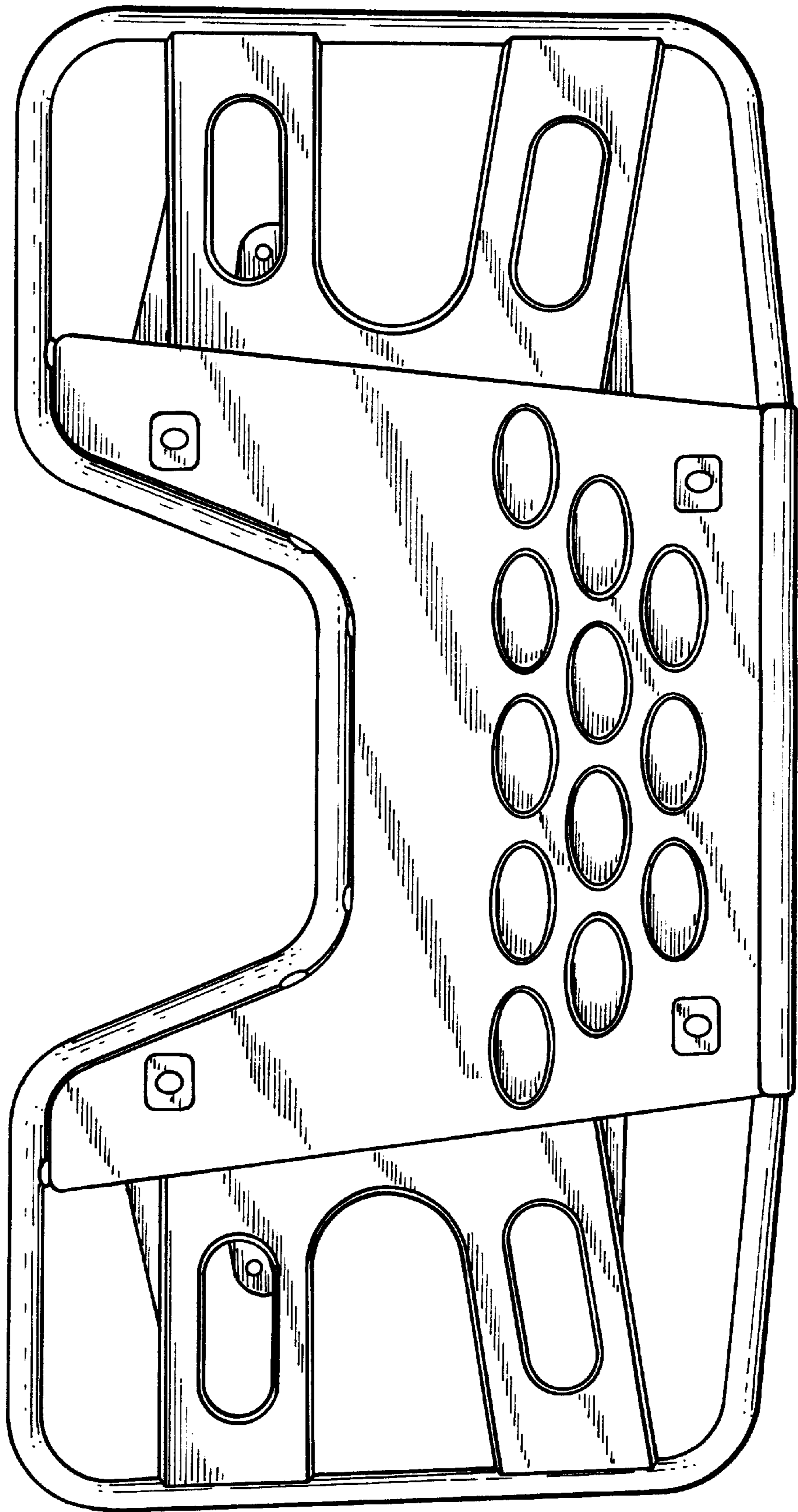


FIG. 4

FIG. 5



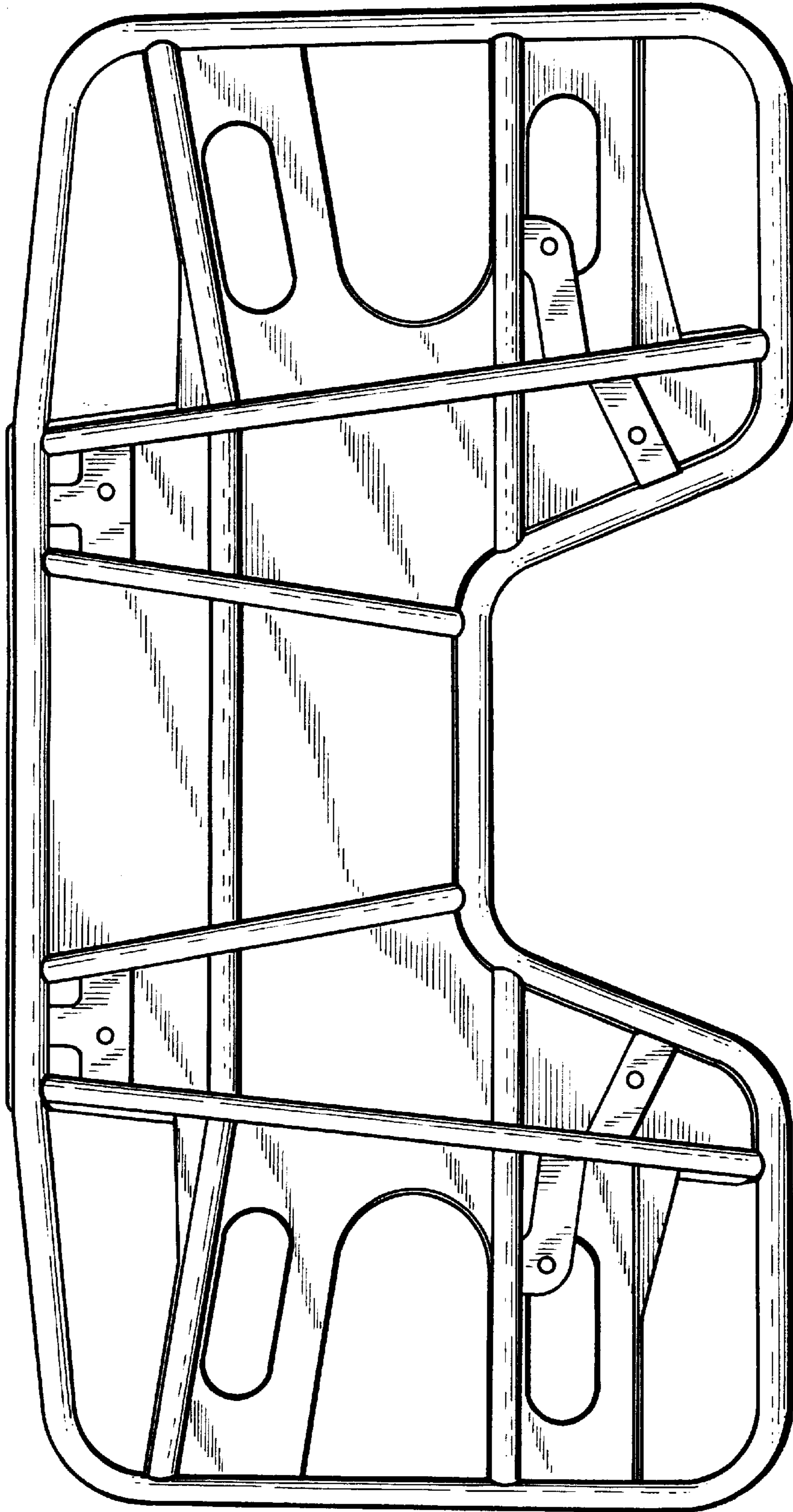


FIG. 6

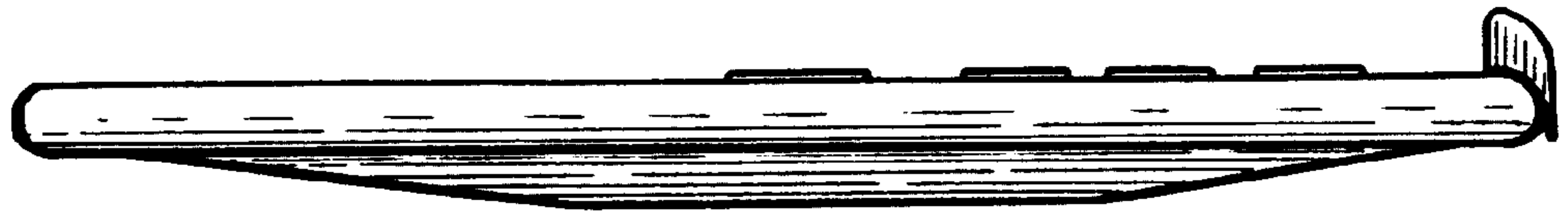


FIG. 7

FIG. 8

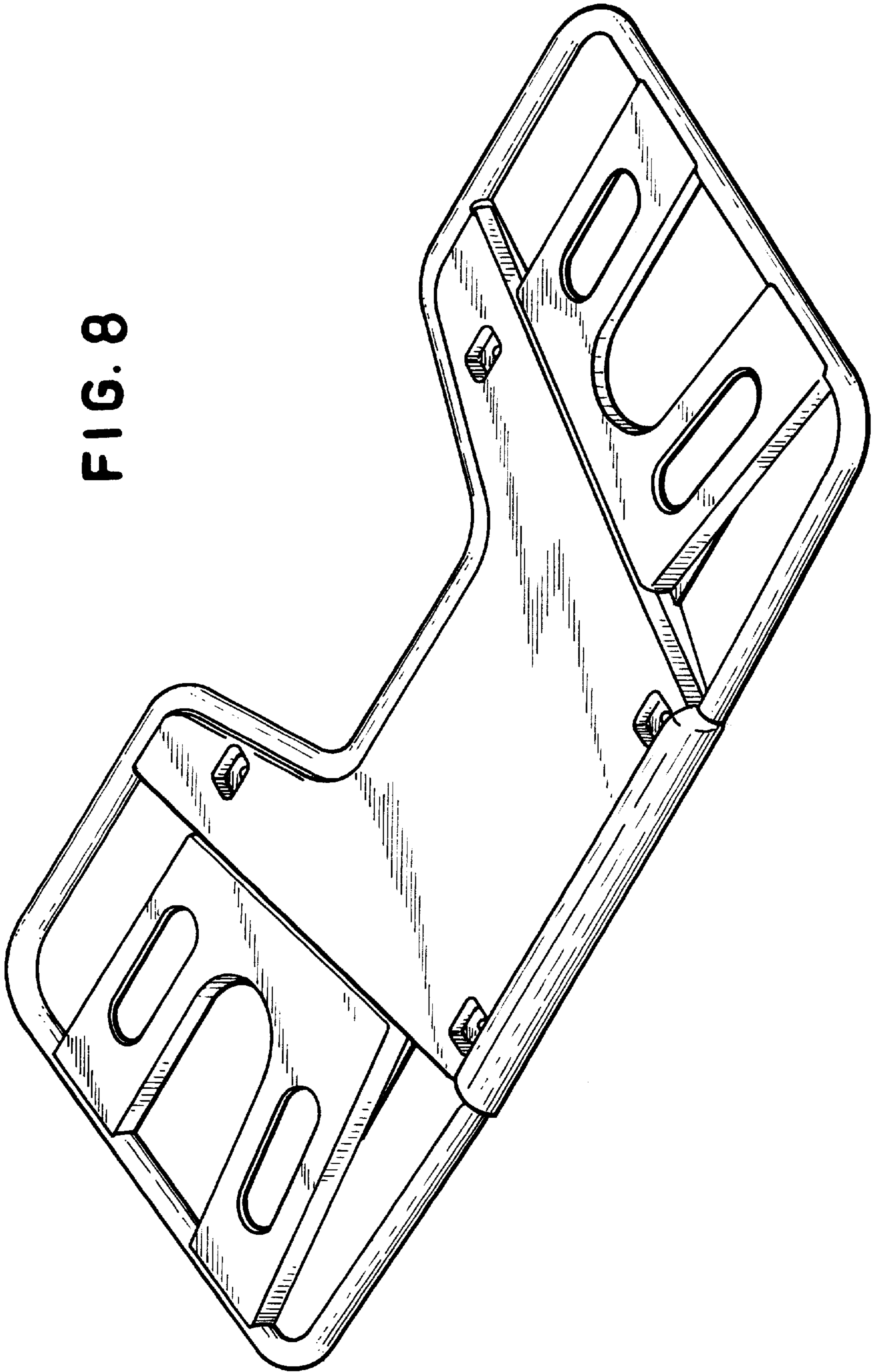


FIG. 9

