



US00D437807S

(12) **United States Design Patent**
Morillo

(10) **Patent No.:** **US D437,807 S**

(45) **Date of Patent:** **** Feb. 20, 2001**

(54) **BICYCLE**

D. 317,142 * 5/1991 Smith D12/111

(76) Inventor: **Heath Morillo**, 1738 County Road #27,
South Woodslee, Ontario (CA), NOR
1V0

* cited by examiner

Primary Examiner—Melody N. Brown
(74) *Attorney, Agent, or Firm*—Eugene J. A. Gierczak

(**) Term: **14 Years**

(57) **CLAIM**

(21) Appl. No.: **29/057,934**

The ornamental design for a “bicycle”, as shown and described.

(22) Filed: **Aug. 5, 1996**

DESCRIPTION

(51) **LOC (7) Cl.** **12-11**

(52) **U.S. Cl.** **D12/111**

(58) **Field of Search** D12/111; 20/281.1,
20/288.1–288.3

FIG. 1 is a side elevational view of a bicycle showing my new design;

FIG. 2 is a front elevational view thereof;

FIG. 3 is a top plan view thereof; and,

FIG. 4 is a rear view thereof.

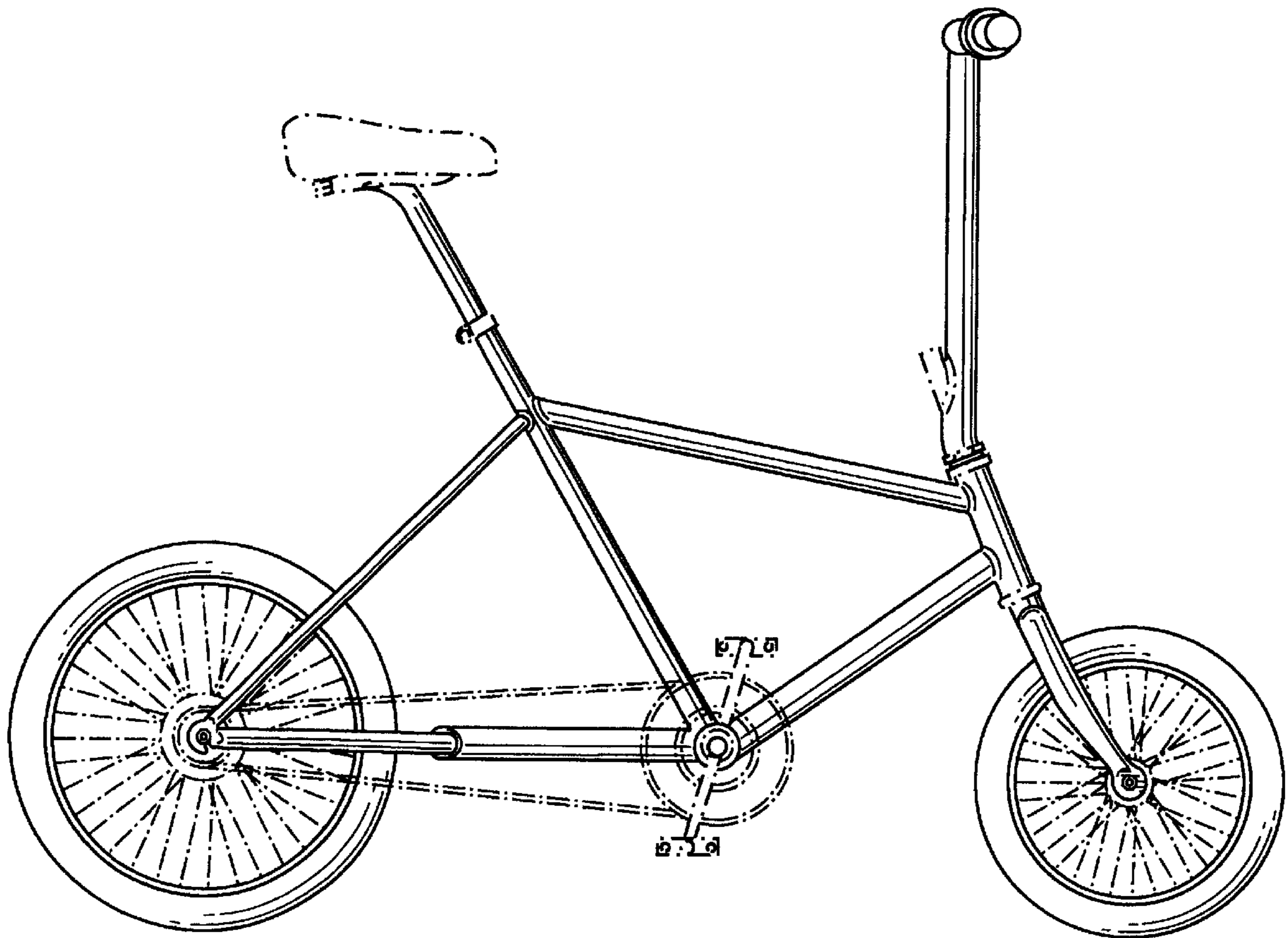
The portions of the bicycle shown in broken lines are for illustrative purposes only and form no part of the claimed design.

(56) **References Cited**

U.S. PATENT DOCUMENTS

- D. 202,969 * 11/1965 Fried D12/111
- D. 273,484 * 4/1984 Herbert D12/111
- D. 283,606 * 4/1986 Moulton D12/111
- D. 289,867 * 5/1987 Tratner D12/111

1 Claim, 2 Drawing Sheets



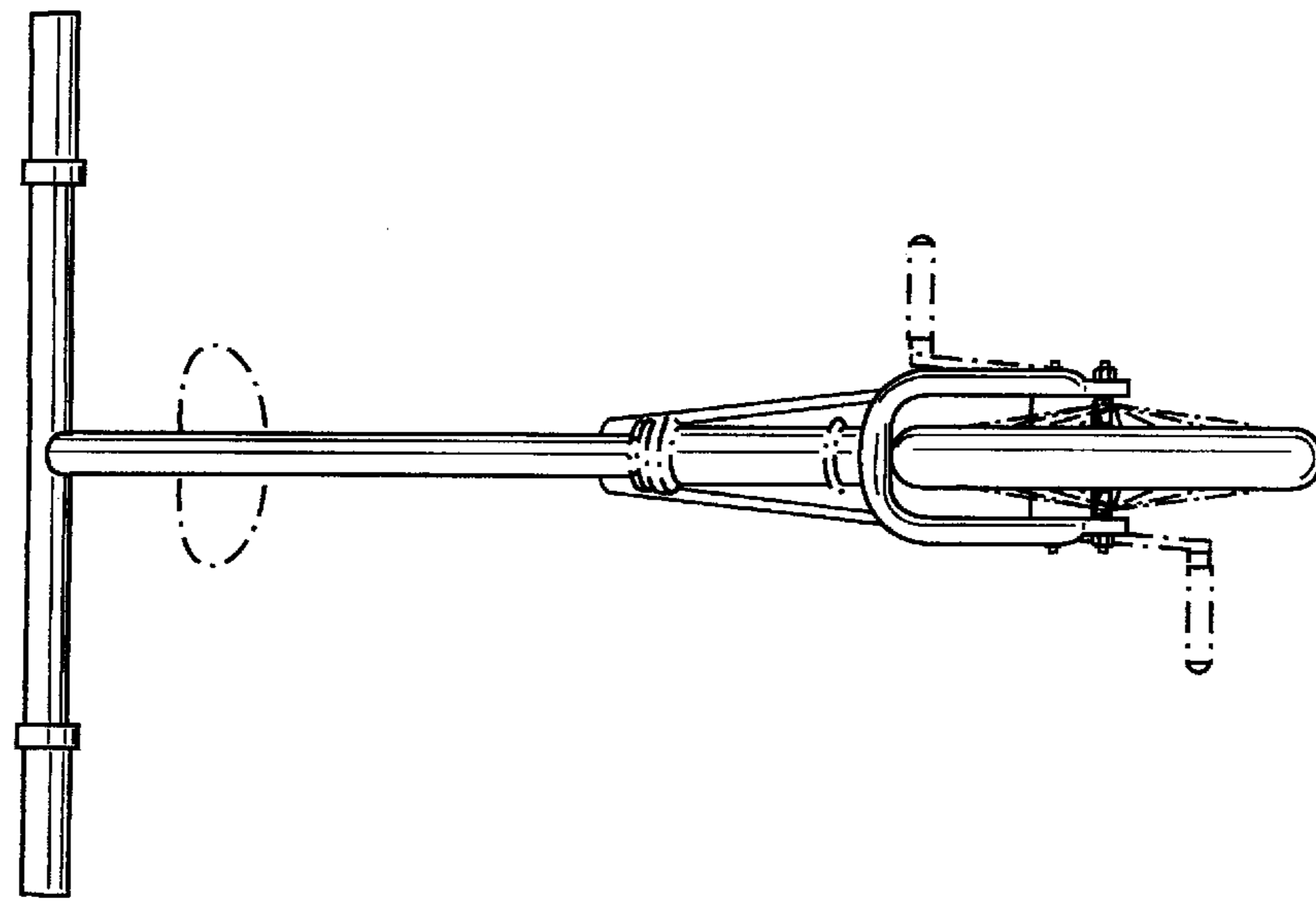


FIG. 2

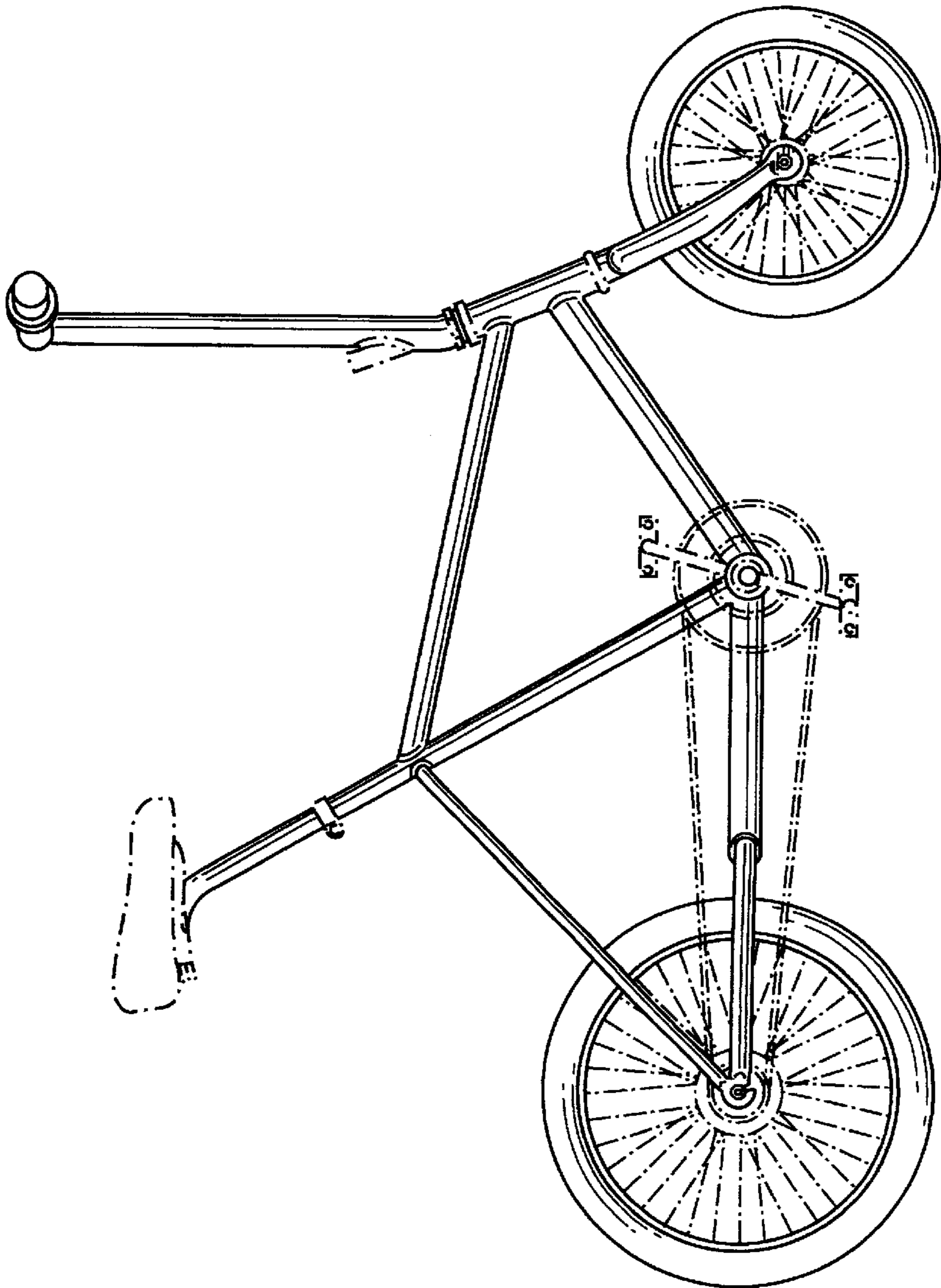


FIG. 1

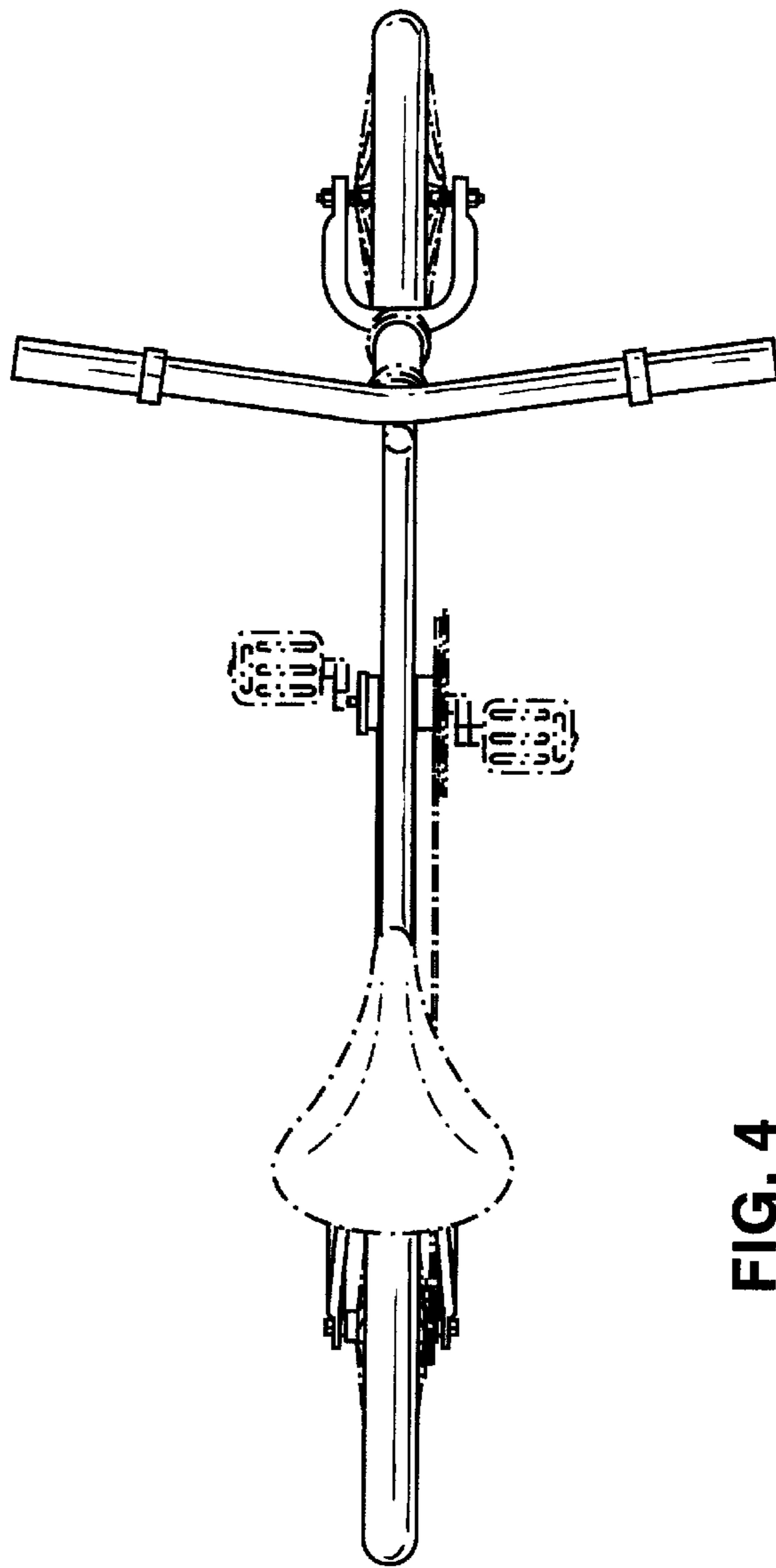


FIG. 4

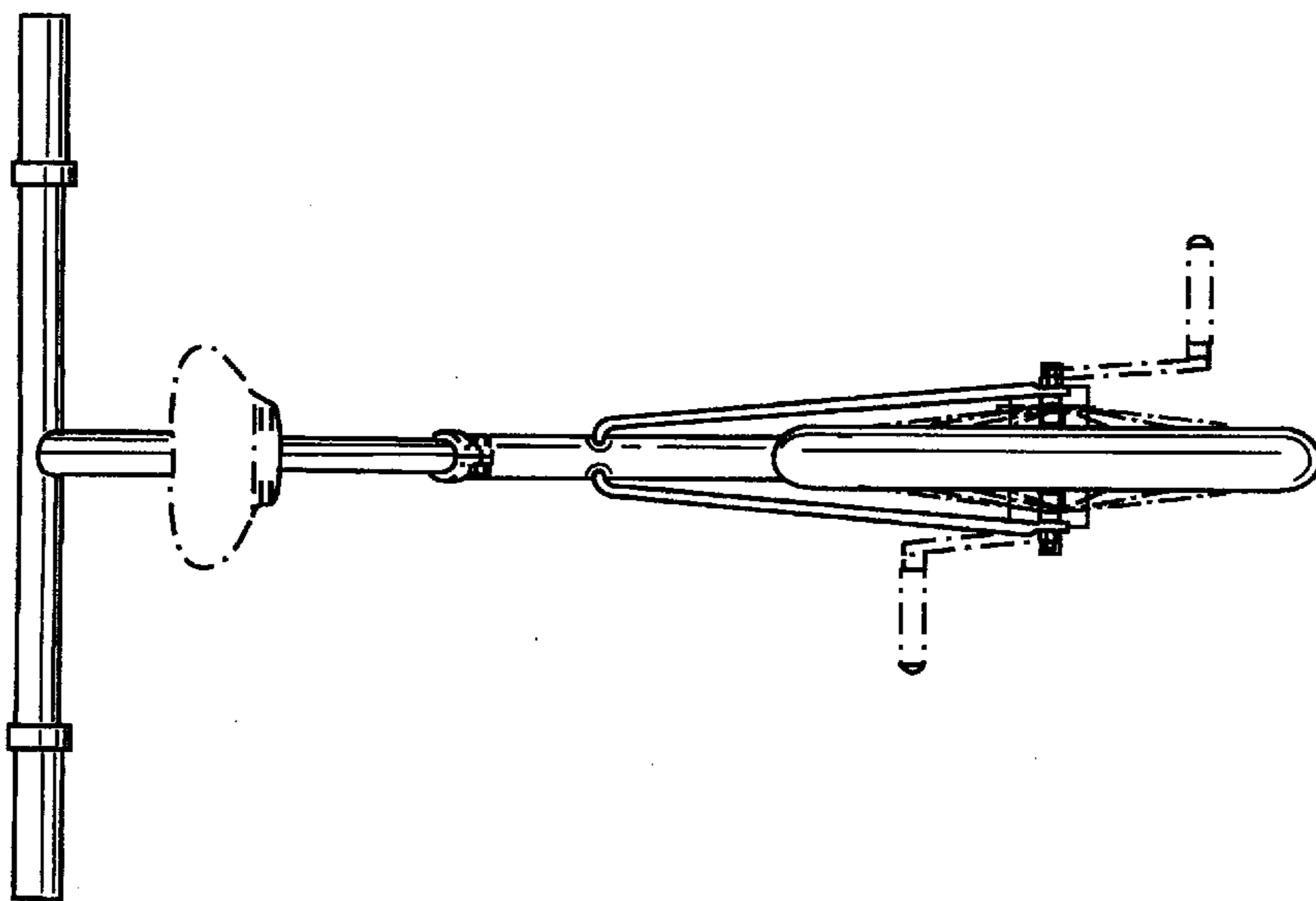


FIG. 3