



US00D437800S

(12) **United States Design Patent**
Phillips

(10) **Patent No.:** **US D437,800 S**

(45) **Date of Patent:** **** Feb. 20, 2001**

(54) **CHRISTMAS DECORATION**

1,980,708 * 11/1934 Szel 362/121

(76) Inventor: **Edward J. Phillips**, 915 E. 68th St.,
Kansas City, MO (US) 64131

* cited by examiner

(**) Term: **14 Years**

Primary Examiner—Dominic Simone

(74) *Attorney, Agent, or Firm*—Chase & Yakimo, L.C.

(21) Appl. No.: **29/121,891**

(57) **CLAIM**

(22) Filed: **Apr. 14, 2000**

The ornamental design for a Christmas decoration, as shown and described.

(51) **LOC (7) Cl.** **11-05**

DESCRIPTION

(52) **U.S. Cl.** **D11/121; D99/27**

(58) **Field of Search** D11/121, 125;
D99/27; 428/3; 40/541, 550, 551; 362/121,
806

FIG. 1 is a perspective view of a Christmas decoration showing my new design;

FIG. 2 is a front elevational view thereof;

FIG. 3 is a side elevational view thereof, as seen from the left side relative to FIG. 1;

FIG. 4 is a rear elevational view thereof;

FIG. 5 is a top view thereof; and,

FIG. 6 is a bottom view thereof.

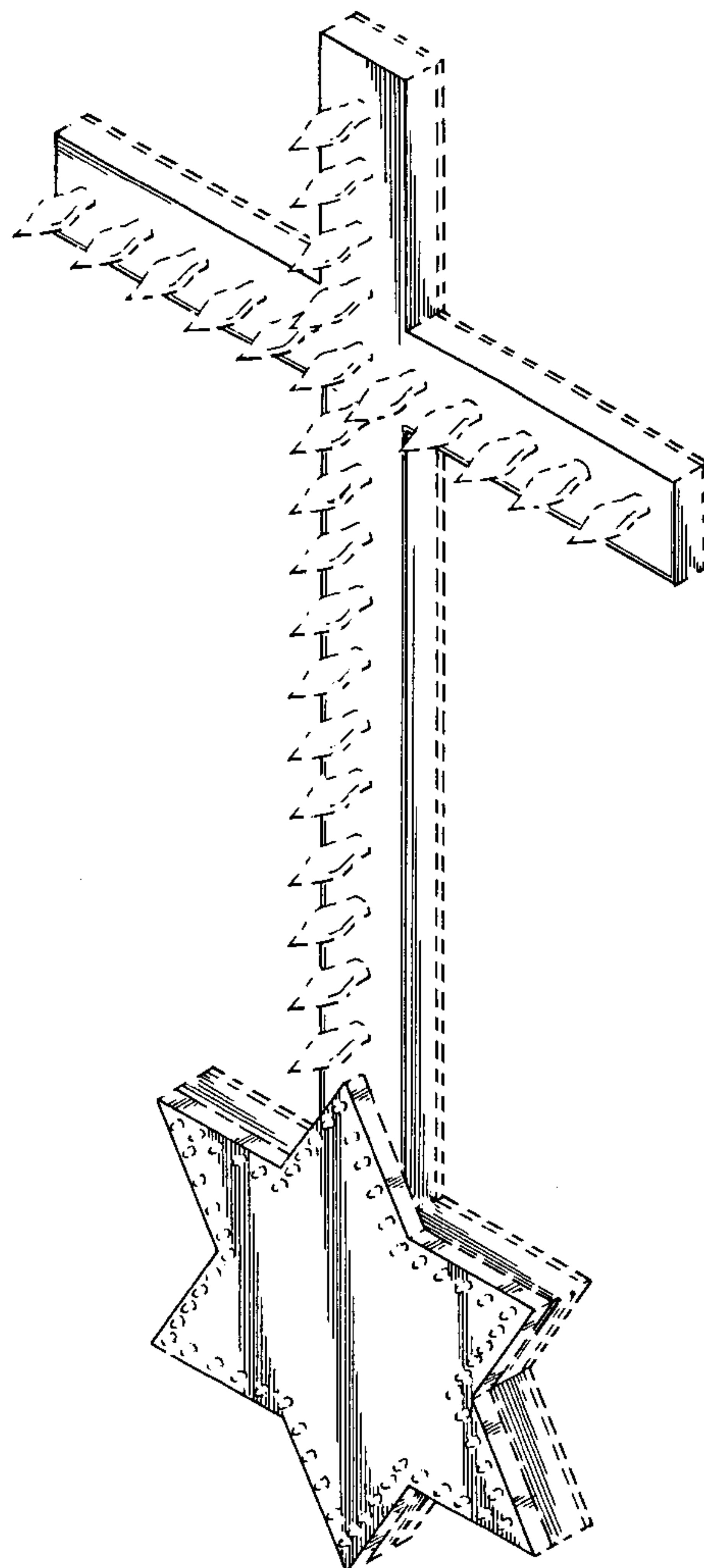
The broken lines are for illustrative purposes only and form no part of the claimed design.

(56) **References Cited**

U.S. PATENT DOCUMENTS

D. 109,081	*	3/1938	Morrison et al.	D11/125
D. 178,836	*	9/1956	Hoffman	D11/125
D. 252,868	*	9/1979	Cunningham	D99/27 X
D. 258,544	*	3/1981	Benedetto	99/27
1,507,195	*	9/1924	Moore	40/551

1 Claim, 3 Drawing Sheets



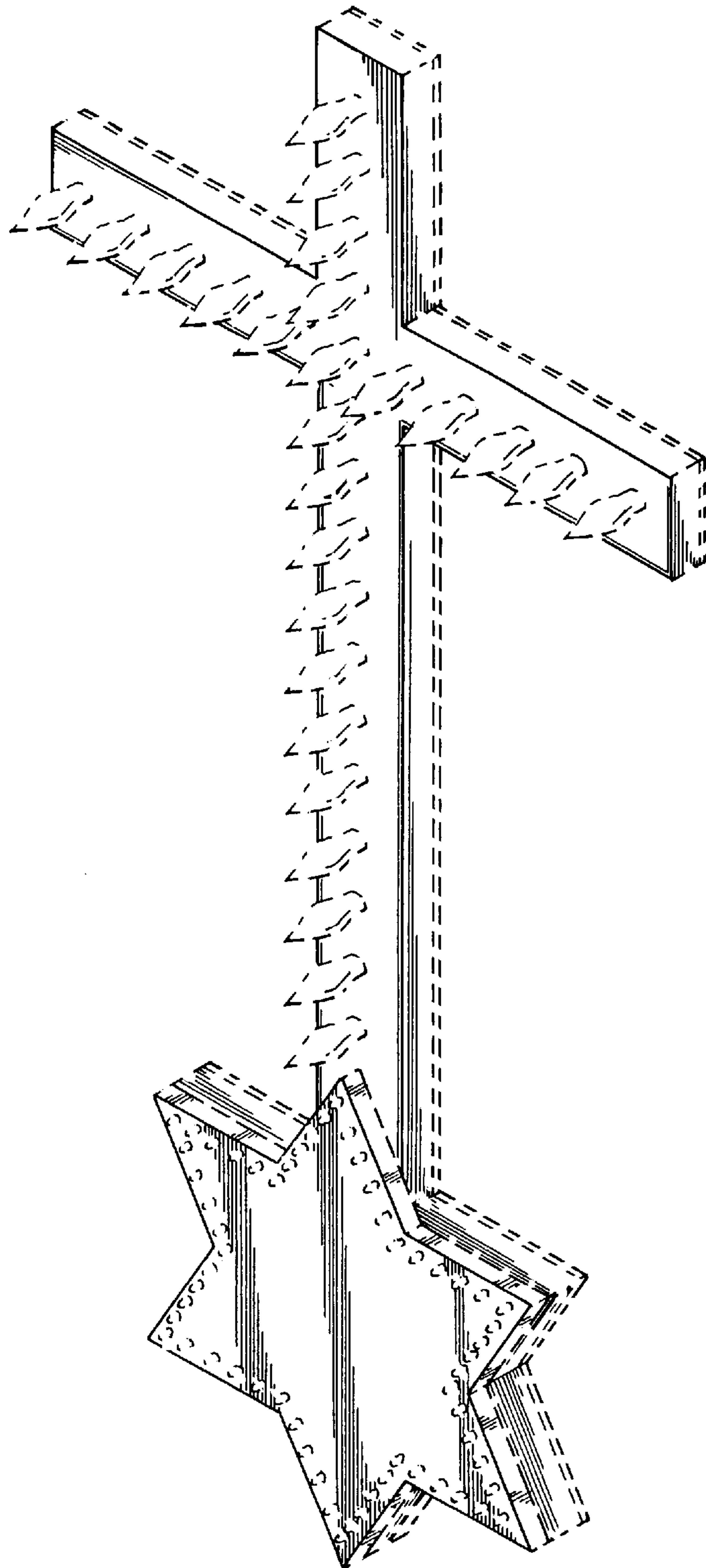


Fig. 1

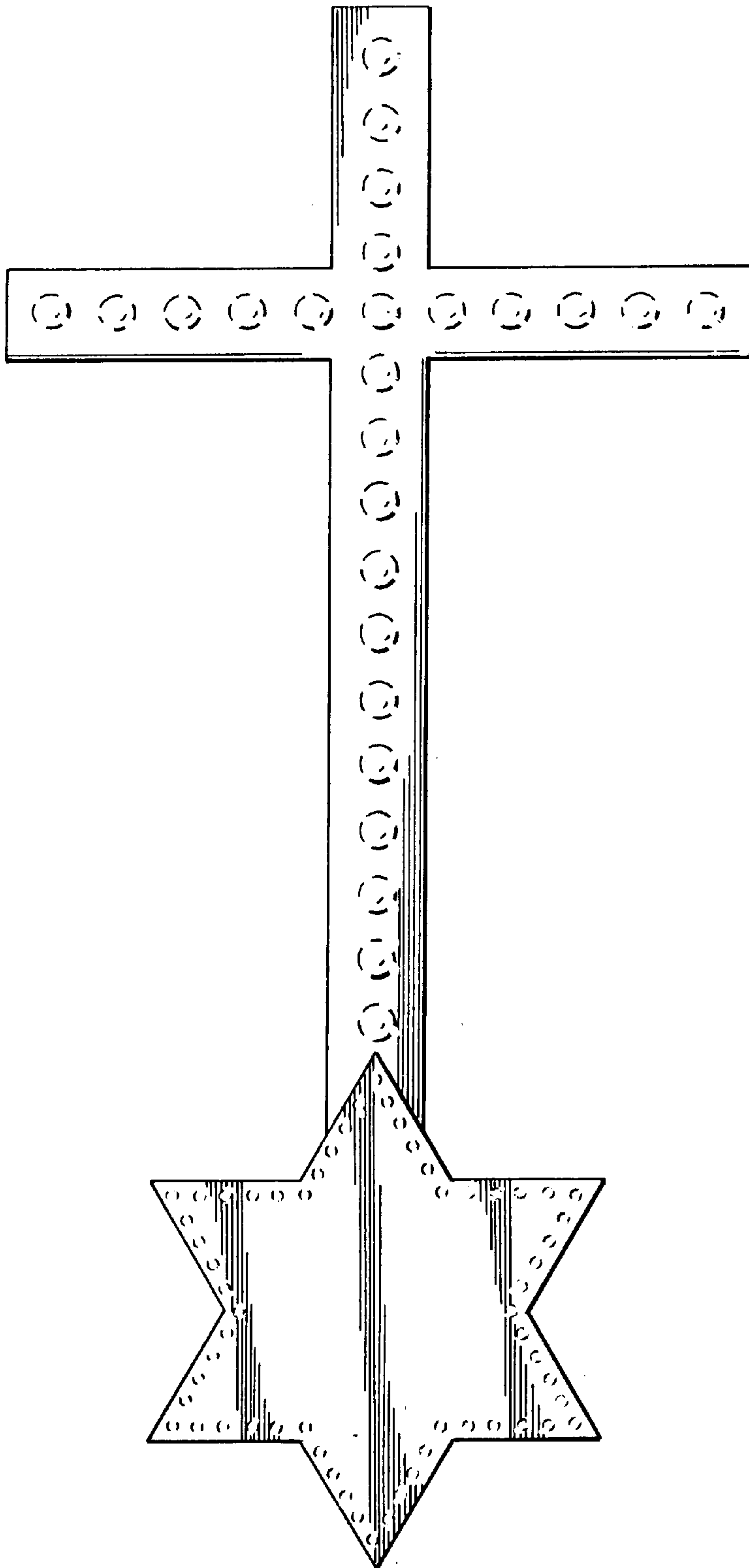


Fig. 2

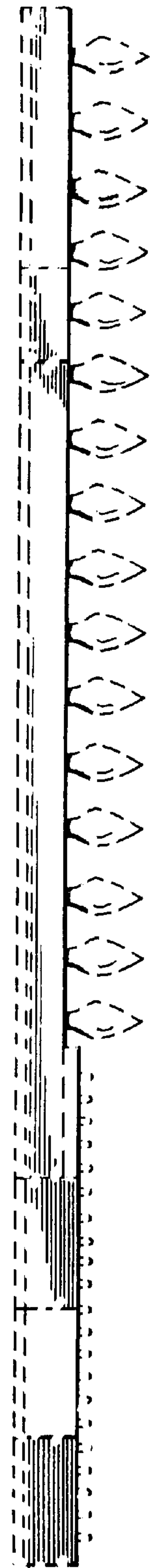


Fig. 3

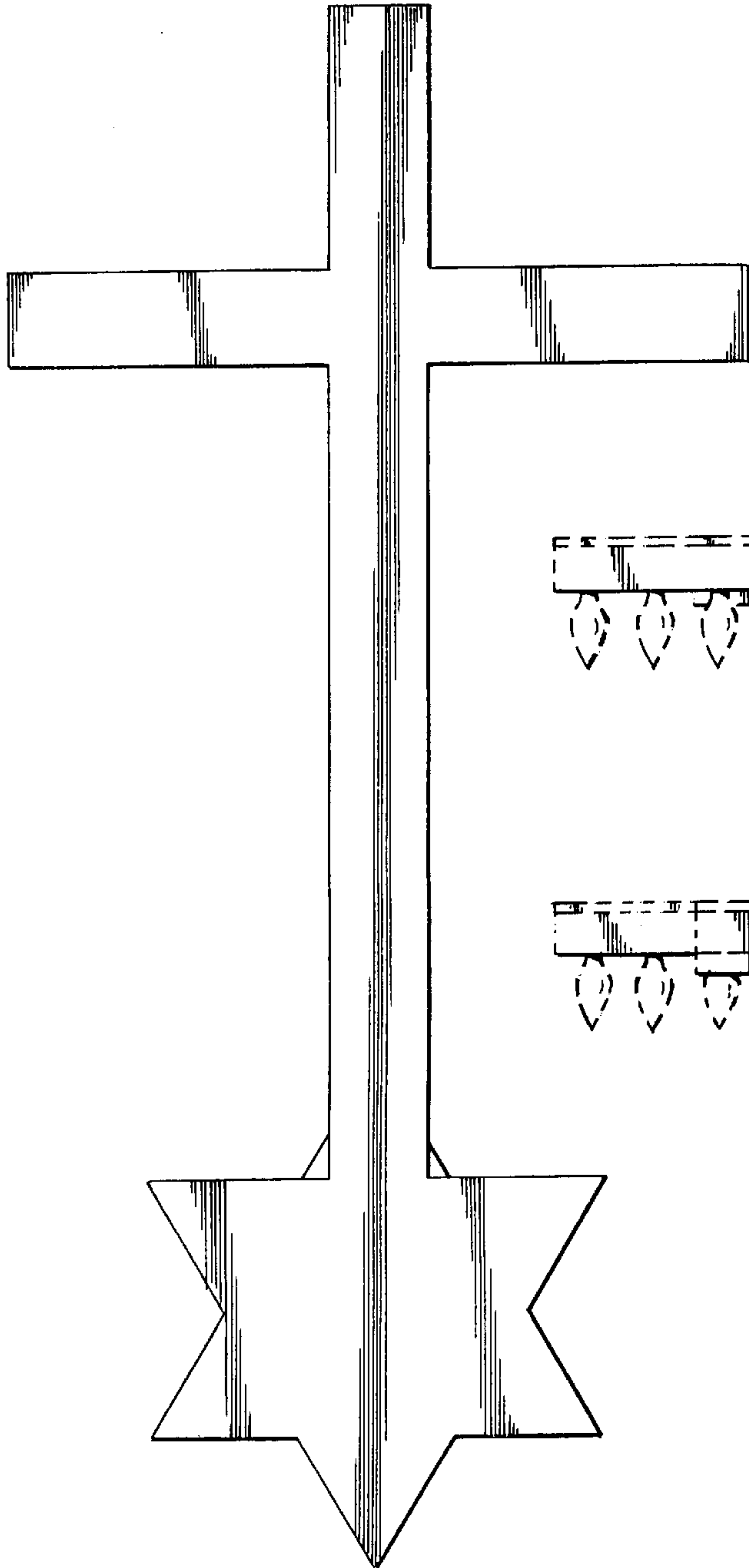


Fig. 4

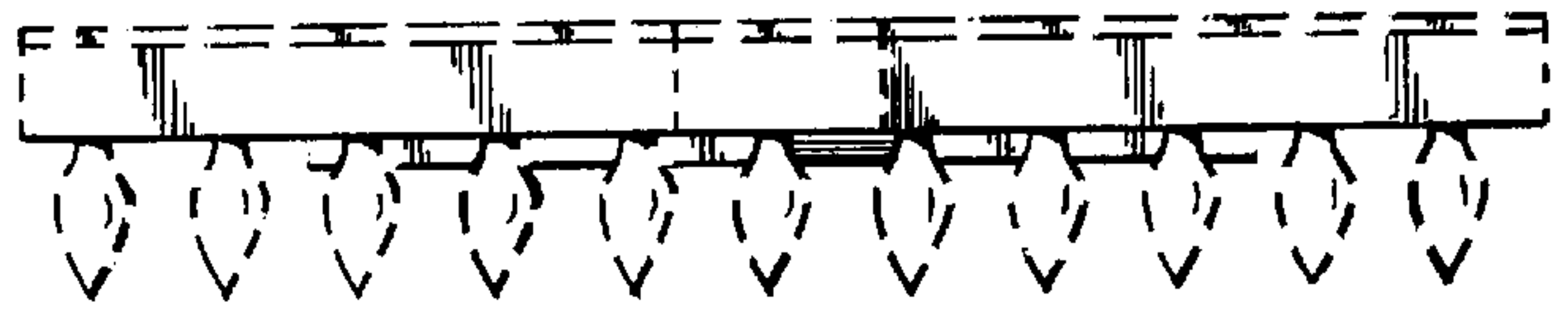


Fig. 5

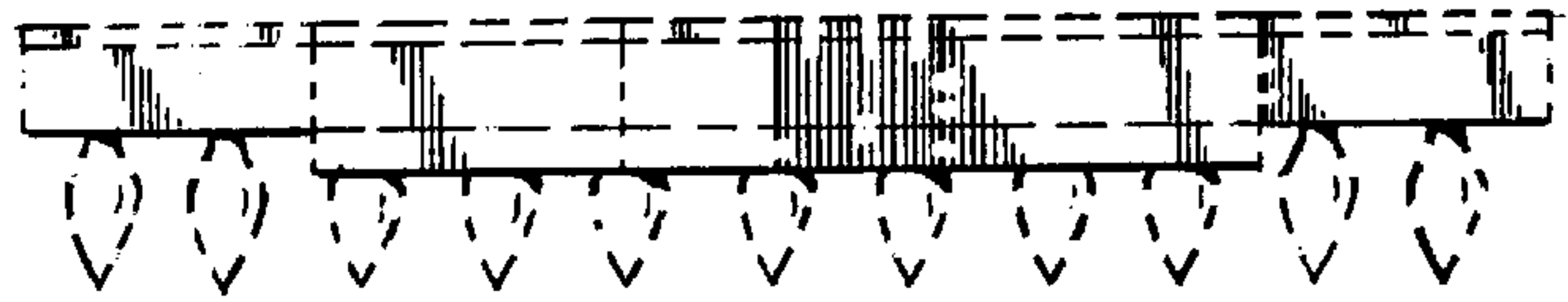


Fig. 6