



US00D437797S

(12) **United States Design Patent**
Bishop

(10) **Patent No.:** **US D437,797 S**

(45) **Date of Patent:** **** Feb. 20, 2001**

(54) **FLUID DISPENSING TUBE**

(75) **Inventor:** **James Clement Bishop**, Columbia, MO
(US)

(73) **Assignee:** **bioMérieux, Inc.**, Hazelwood, MO
(US)

(**) **Term:** **14 Years**

(21) **Appl. No.:** **29/123,901**

(22) **Filed:** **May 25, 2000**

Related U.S. Application Data

(63) Continuation of application No. 09/327,110, filed on Jun. 7, 1999, now Pat. No. 6,086,824, which is a continuation of application No. 09/006,623, filed on Jan. 13, 1998, now Pat. No. 5,965,090, which is a division of application No. 08/604,672, filed on Feb. 21, 1996, now Pat. No. 5,762,873.

(51) **LOC (7) Cl.** **10-04**

(52) **U.S. Cl.** **D10/81; D10/103**

(58) **Field of Search** **D10/81, 103; D24/216, D24/222-224; 526/88, 282, 341, 335, 347.2, 348.2, 901; 141/284, 18, 67, 130, 273, 198; 222/388, 389**

(56) **References Cited**

U.S. PATENT DOCUMENTS

D. 384,418 * 9/1997 Torti et al. D24/222 X
5,697,409 * 12/1997 Bishop et al. 141/284
6,077,920 * 6/2000 Wang et al. 526/88

* cited by examiner

Primary Examiner—Antoine Duval Davis

(74) *Attorney, Agent, or Firm*—McDonnell Boehnen Hulbert & Berghoff

(57) **CLAIM**

The ornamental design for a fluid dispensing tube, as shown and described.

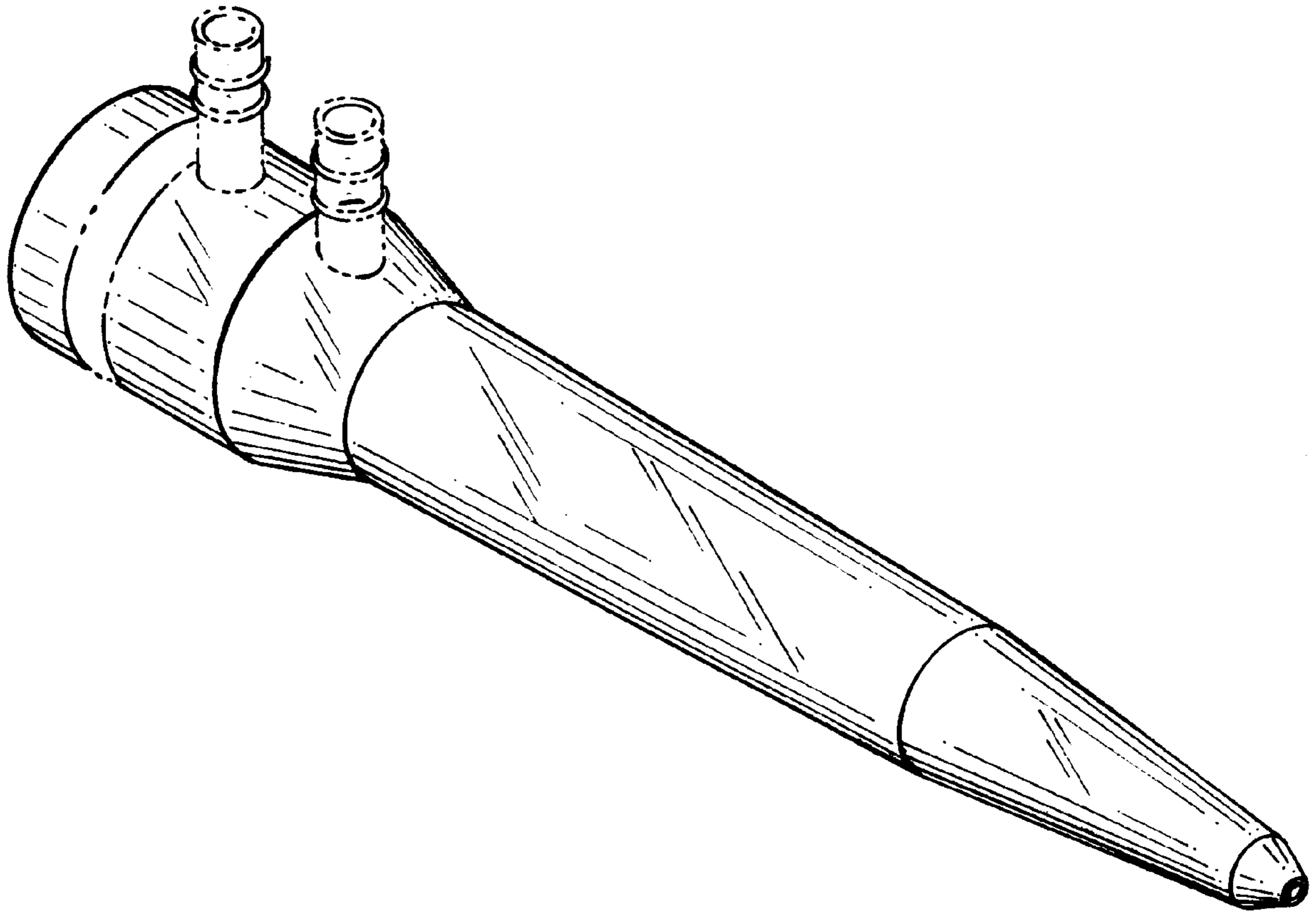
DESCRIPTION

FIG. 1 is a perspective view of a fluid dispensing tube in accordance with my design;

FIG. 2 is a side elevational view of the fluid dispensing tube of FIG. 1; and,

FIG. 3 is an end view of the fluid dispensing tube of FIG. 1. The broken line showing is for illustrative purposes only and forms no part of the claimed design.

1 Claim, 1 Drawing Sheet



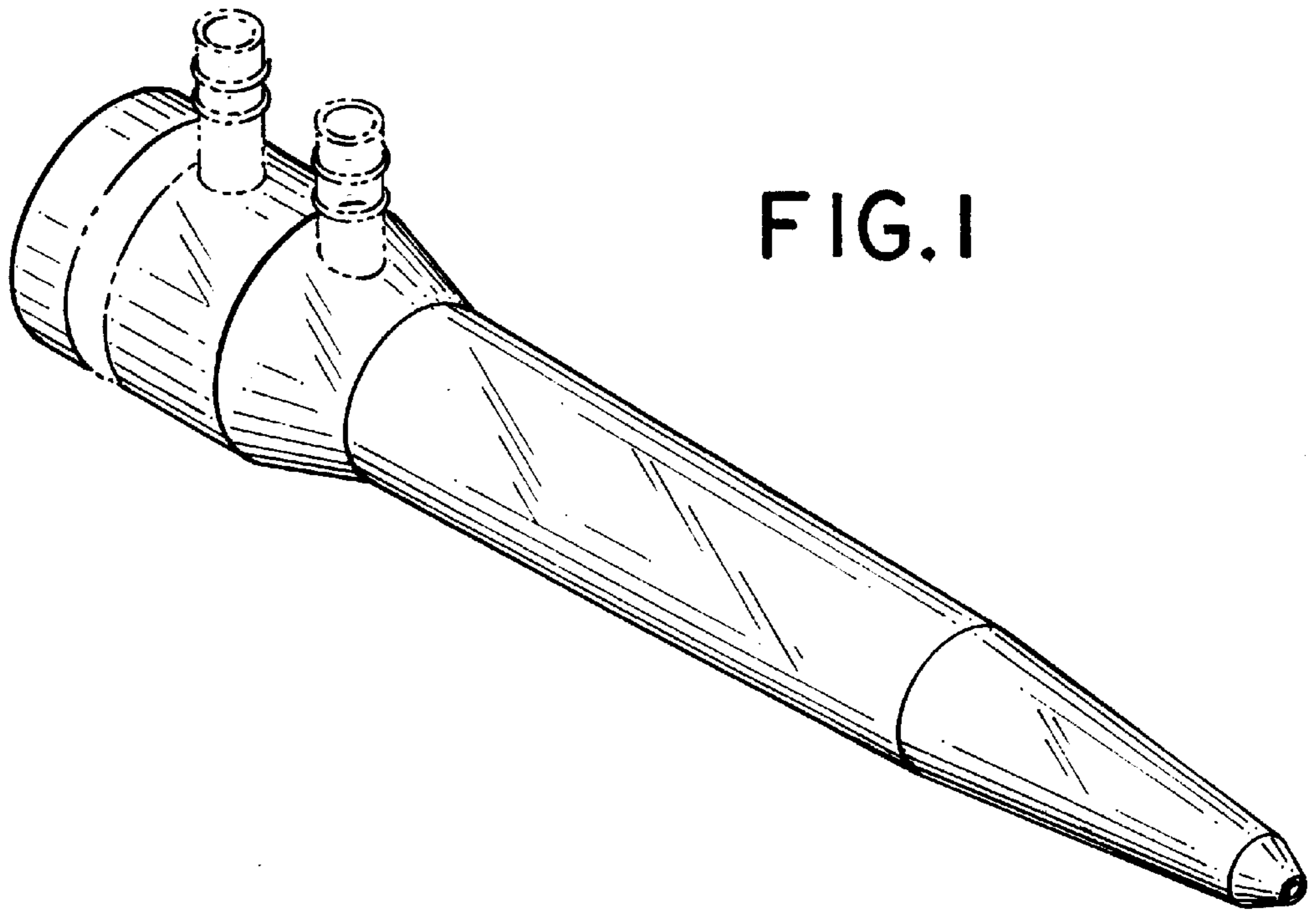


FIG. 1

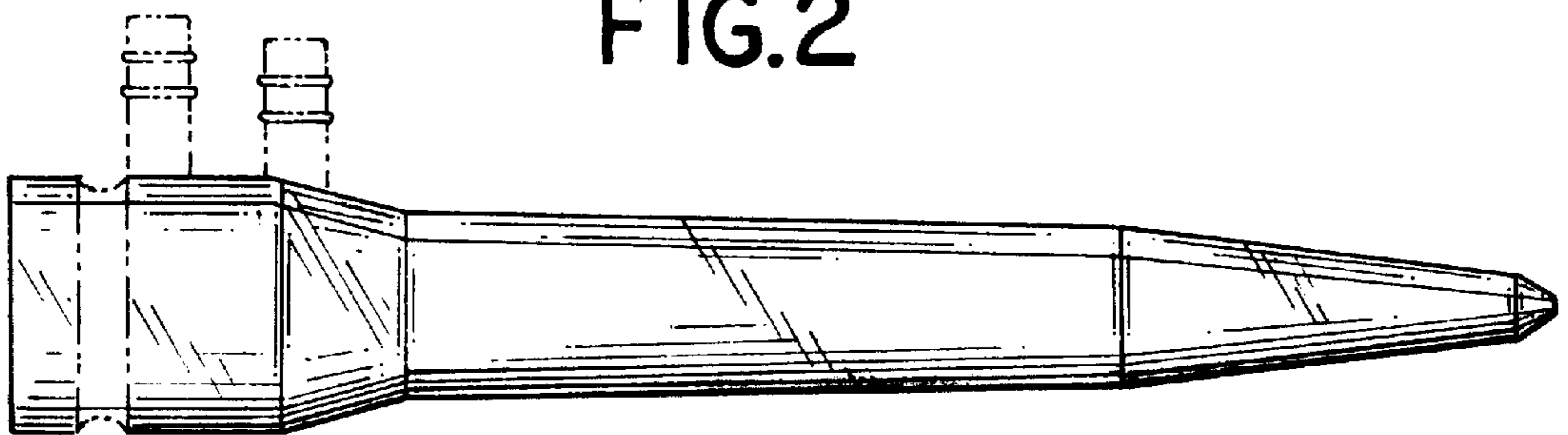


FIG. 2



FIG. 3