



US00D437793S

(12) **United States Design Patent**  
**Kaposi et al.**

(10) **Patent No.:** **US D437,793 S**

(45) **Date of Patent:** **\*\* Feb. 20, 2001**

(54) **MEASURING CUP SET**

D. 396,011 \* 7/1998 Henriksson ..... D10/46.2  
5,347,865 \* 9/1994 Mulry et al. .... 73/427

(75) Inventors: **Sascha Kaposi**, Seattle; **Sabrina Wright**, Bellevue; **Dennis M. Terenzio**, Mercer Island, all of WA (US)

\* cited by examiner

*Primary Examiner*—Terry A. Wallace  
(74) *Attorney, Agent, or Firm*—John R. Benefiel

(73) Assignee: **Progressive International Corporation**, Kent, WA (US)

(57) **CLAIM**

(\*\*) Term: **14 Years**

The ornamental design for a measuring cup set, as shown and described.

(21) Appl. No.: **29/116,702**

**DESCRIPTION**

(22) Filed: **Jan. 7, 2000**

FIG. 1 is a top view of a set of measuring cups according to the present invention.

(51) **LOC (7) Cl.** ..... **10-04**

FIG. 2 is a bottom view of the set of measuring cups shown in FIG. 1.

(52) **U.S. Cl.** ..... **D10/46.2; D7/691**

FIG. 3 is a side elevational view of the set of measuring cups shown in FIGS. 1 and 2.

(58) **Field of Search** ..... D7/691, 692, 643, D7/647, 653; D10/46.2, 46.3; 73/426-429; 30/324-328; 294/55

FIG. 4 is a front view of the set of measuring cups shown in FIGS. 1-3; and,

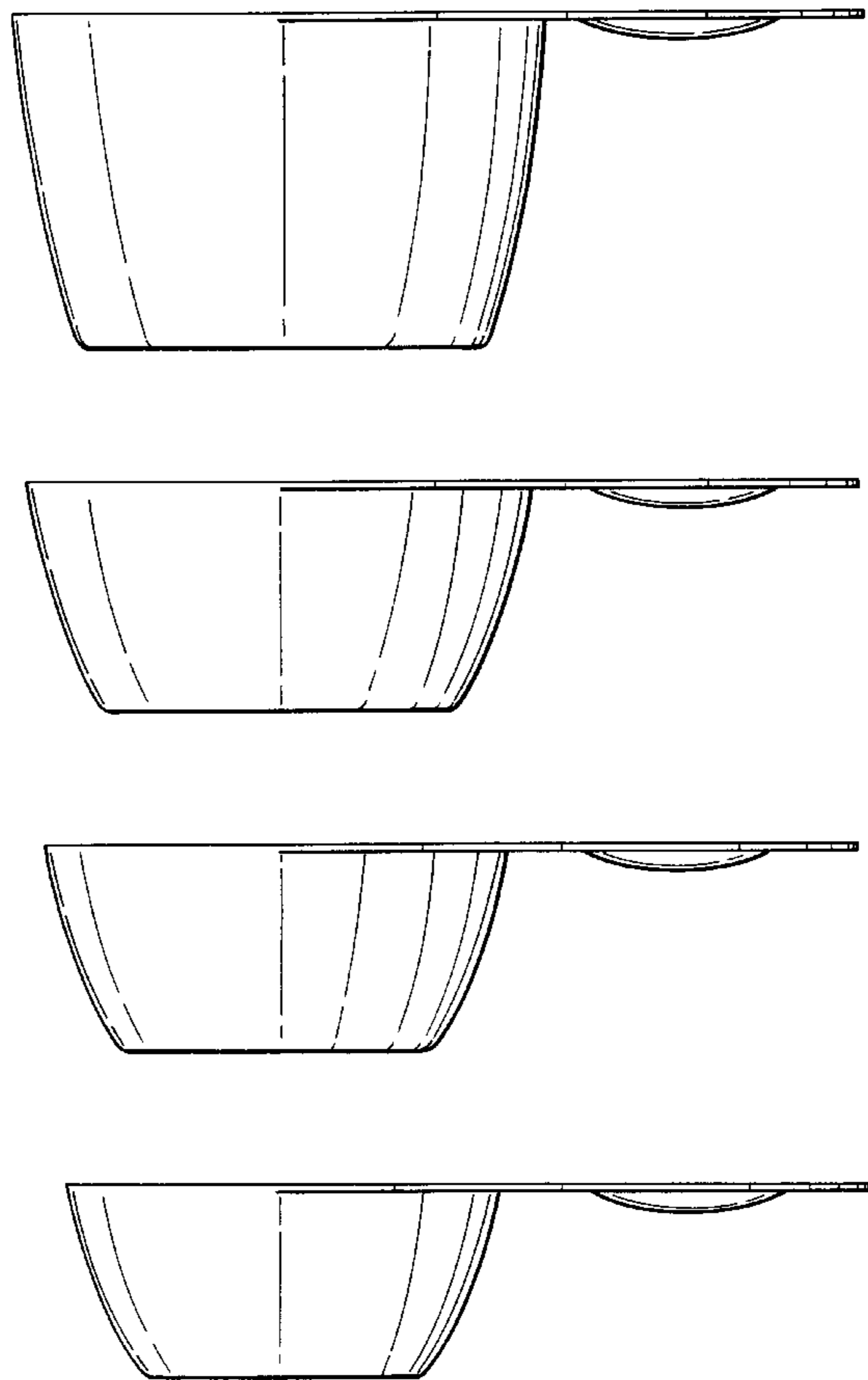
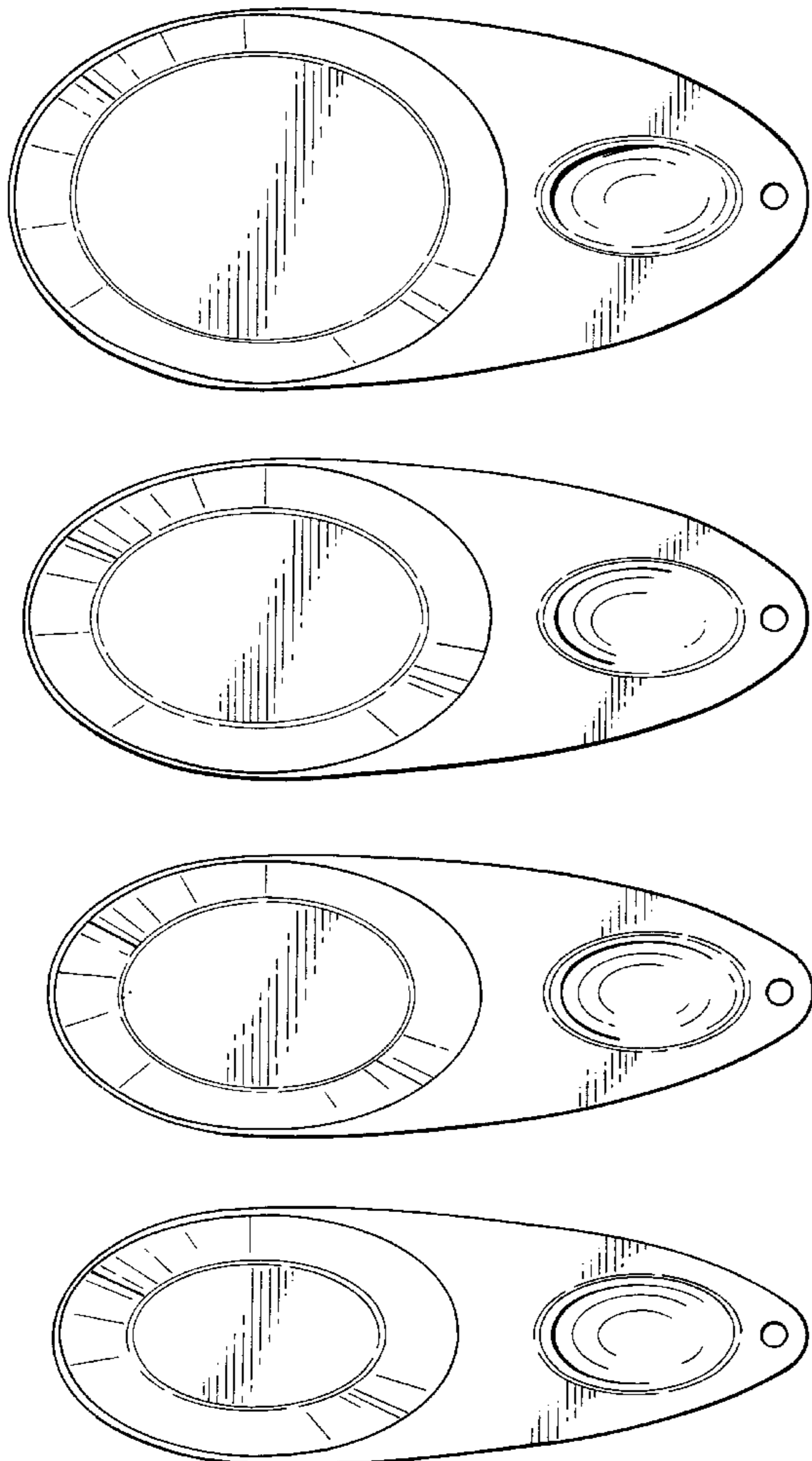
(56) **References Cited**

FIG. 5 is a rear view of the set of measuring cups shown in FIGS. 1-4.

**U.S. PATENT DOCUMENTS**

D. 302,920 \* 8/1989 Ancona et al. .... D10/46.2

**1 Claim, 4 Drawing Sheets**



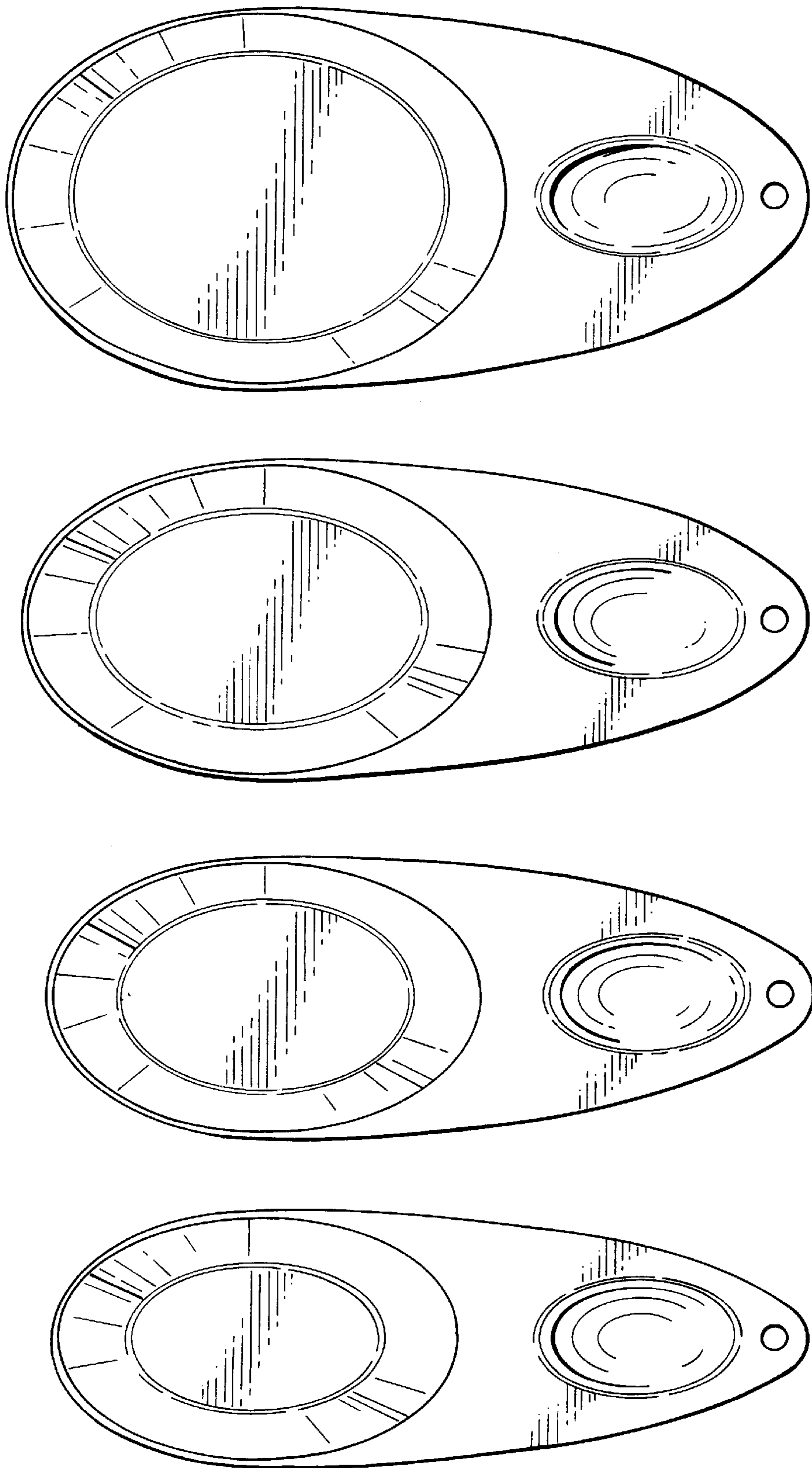


FIG - 1

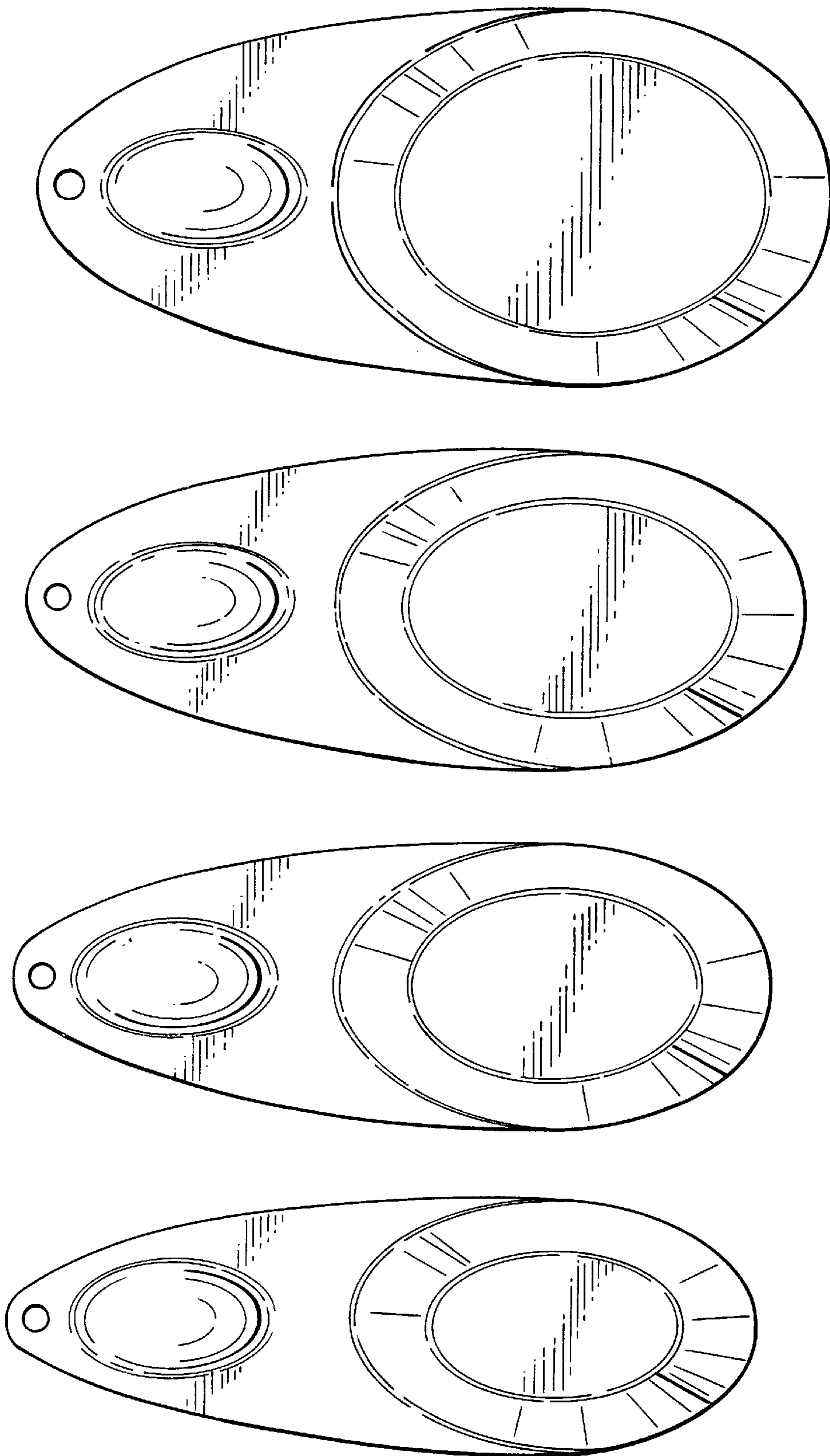


FIG-2

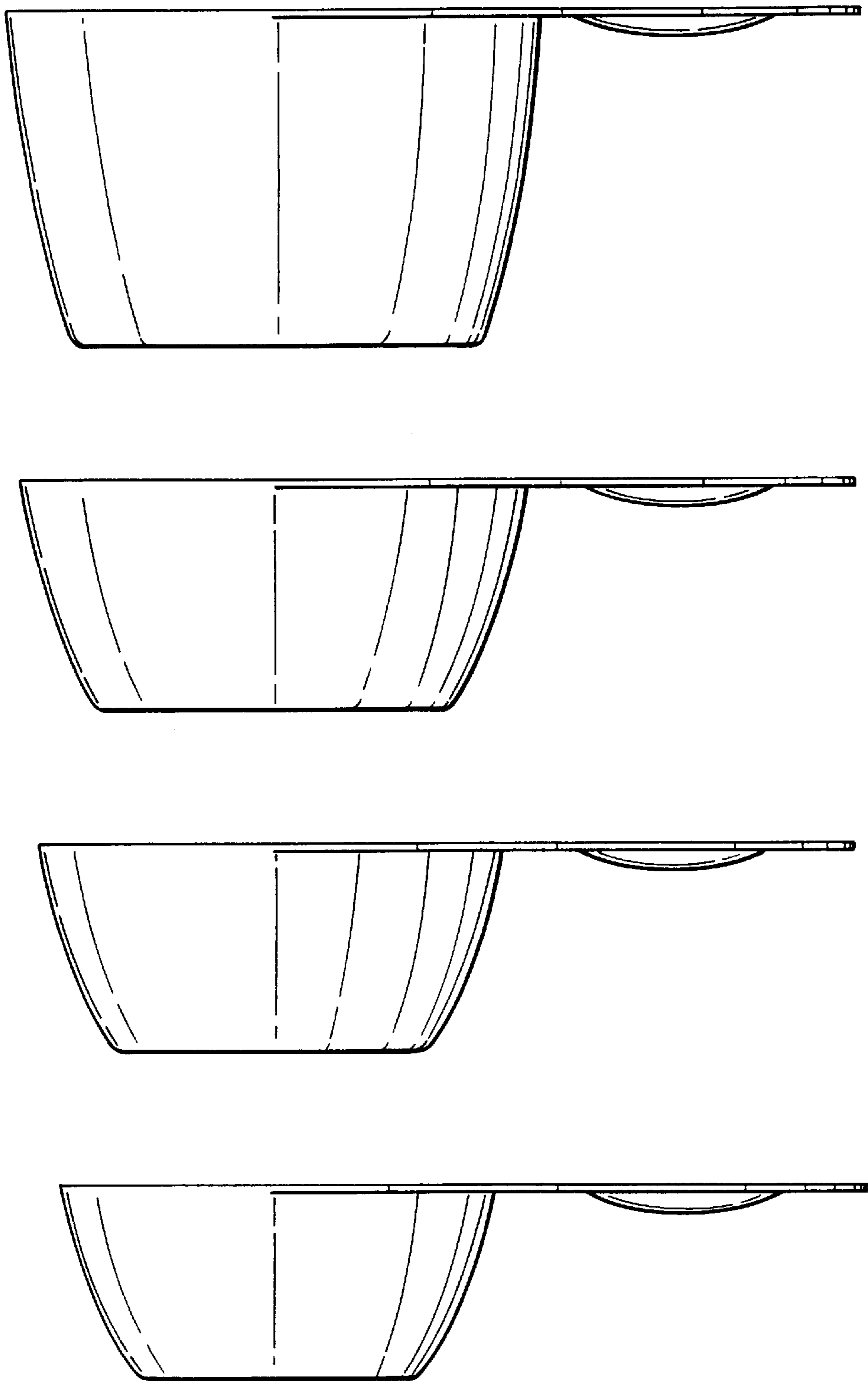


FIG-3



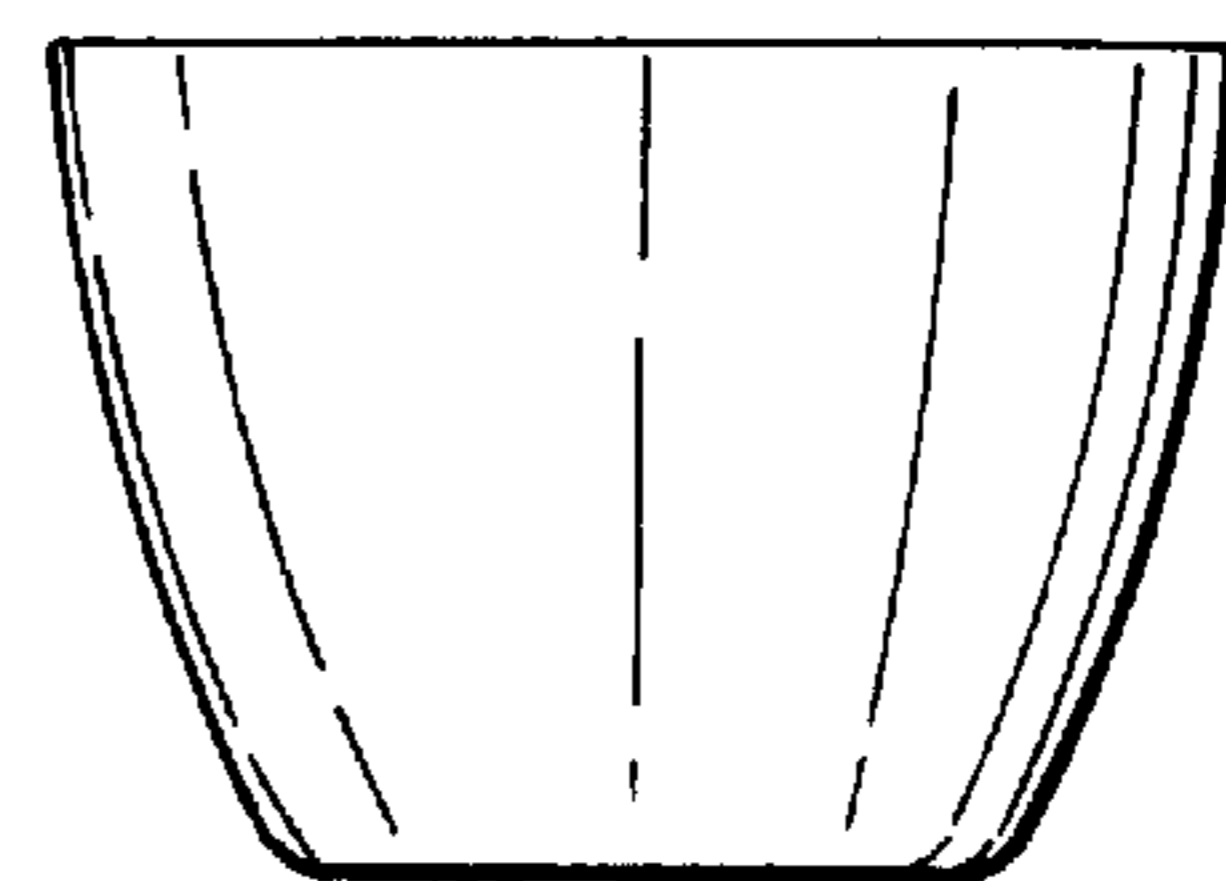
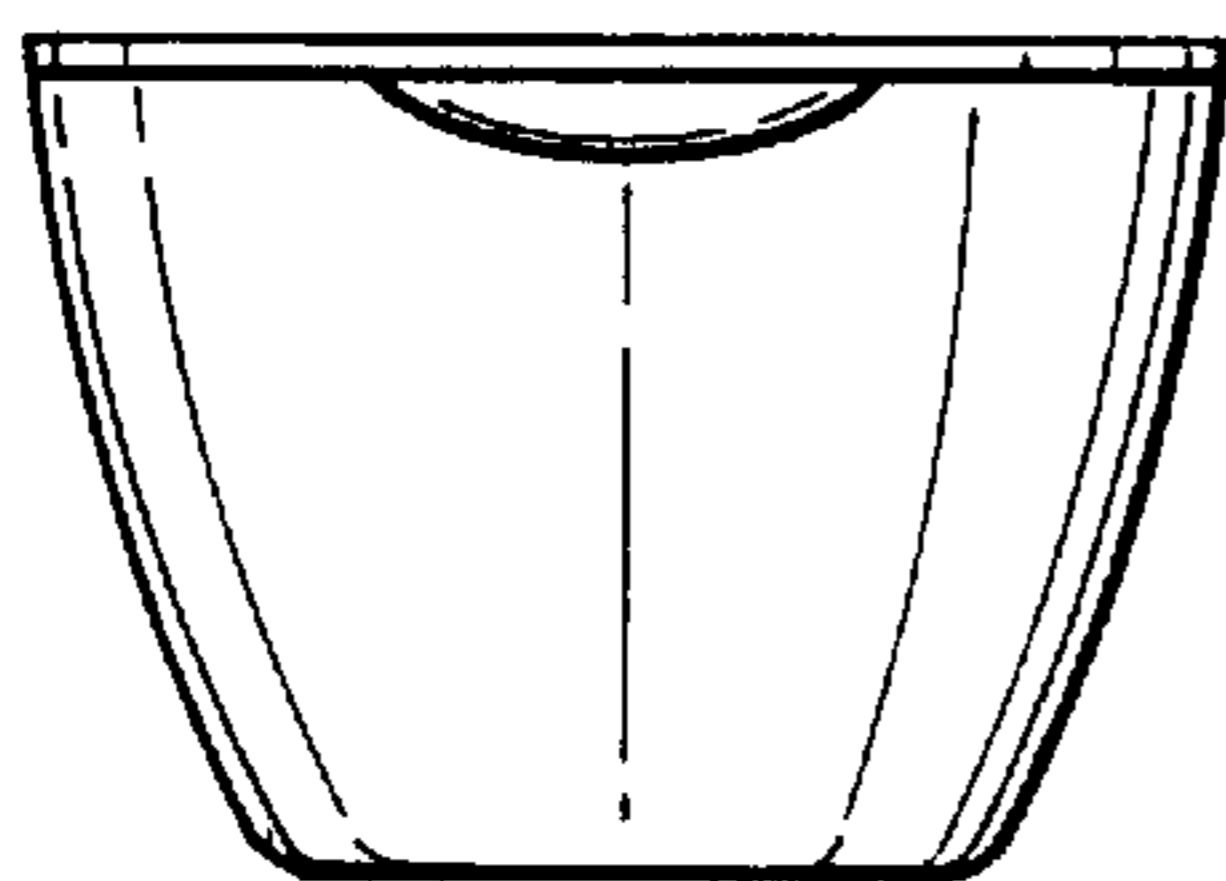
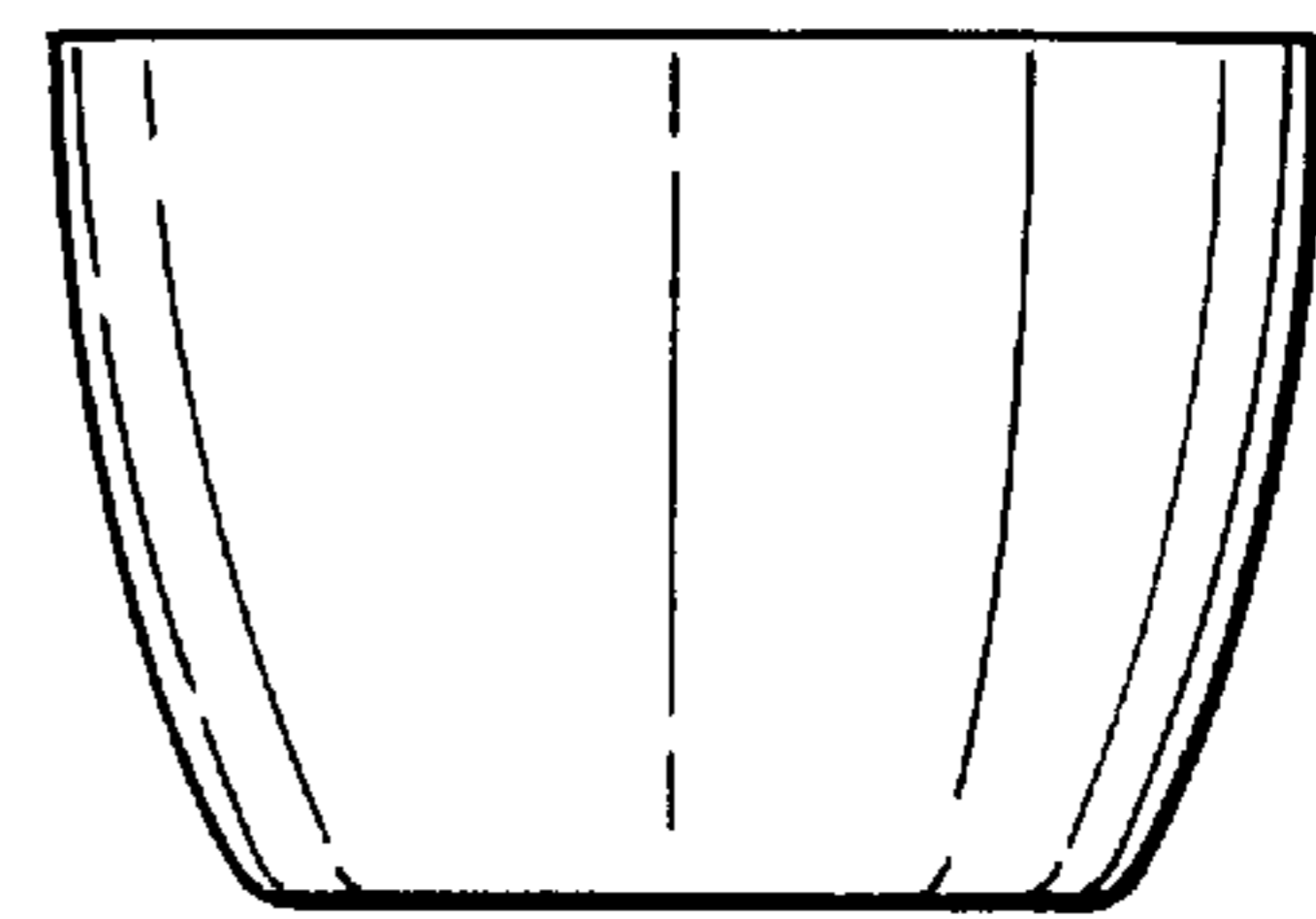
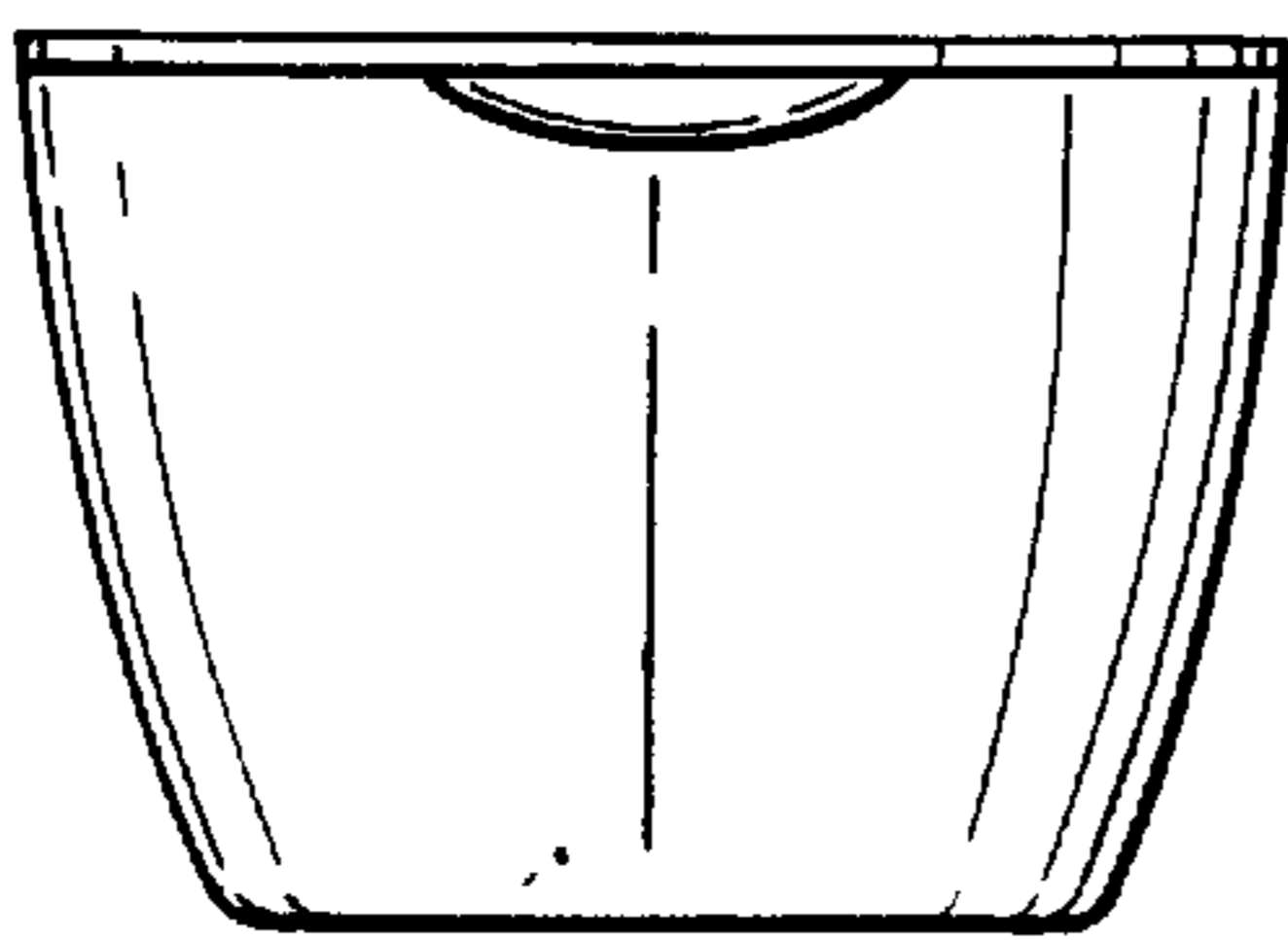
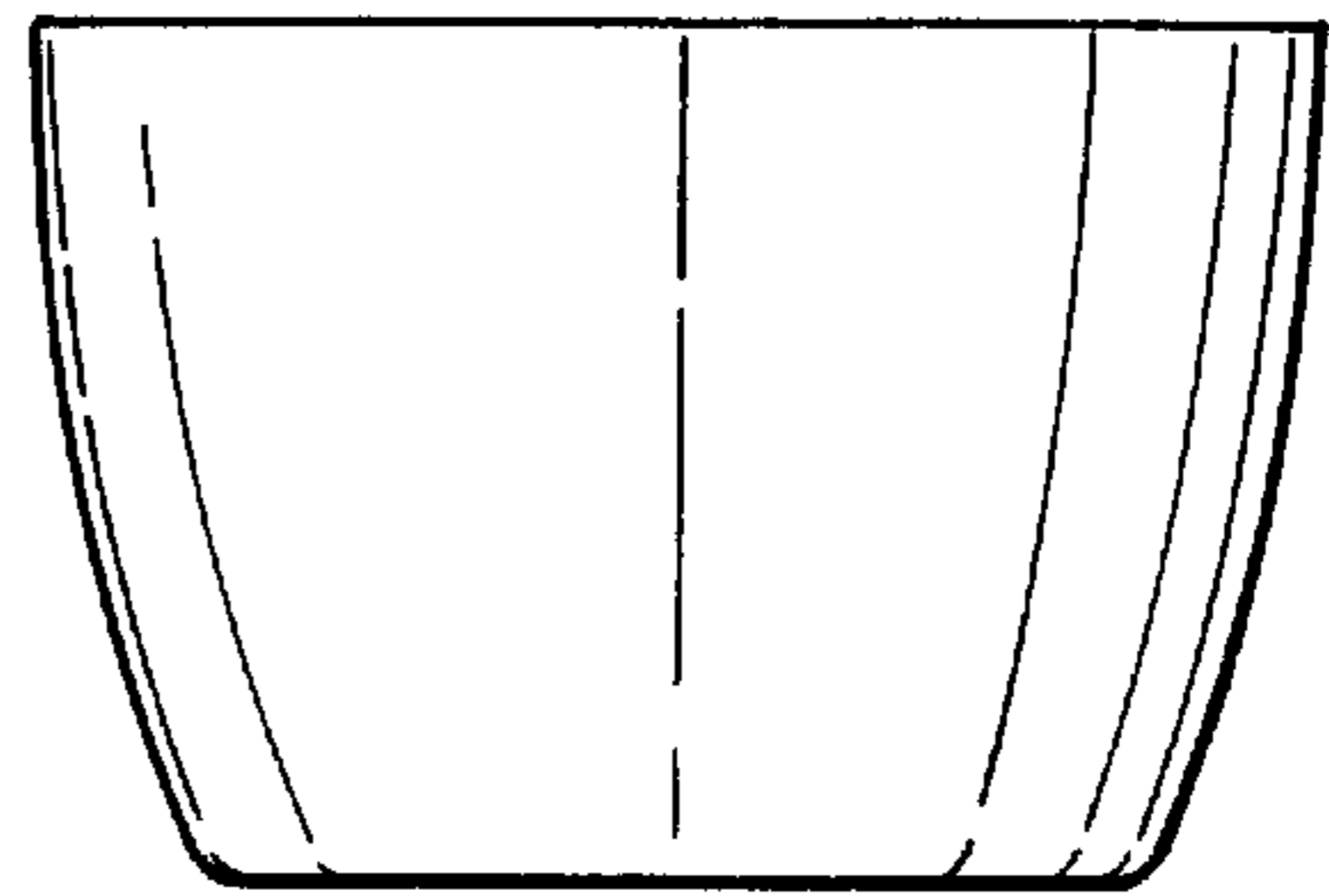
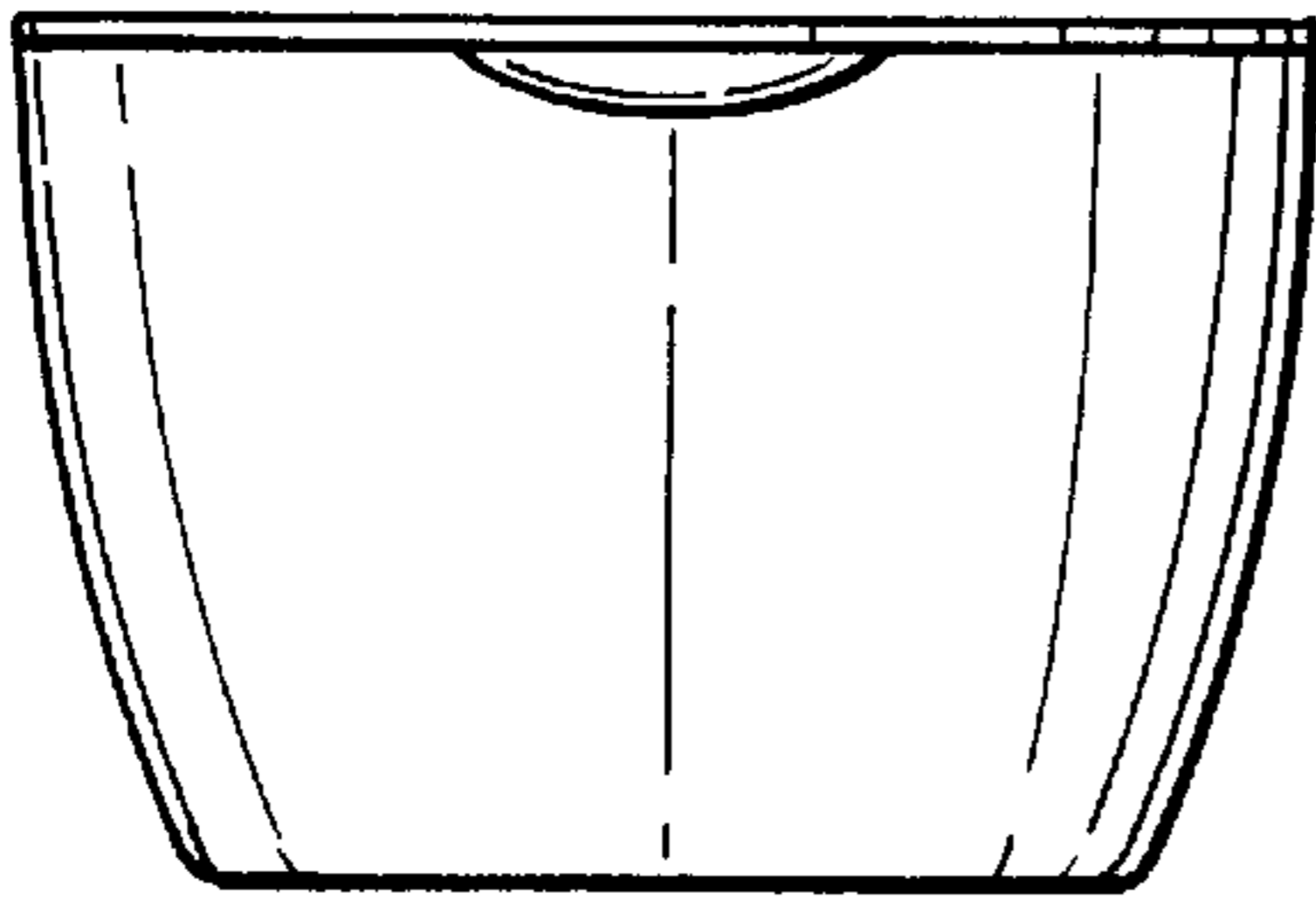
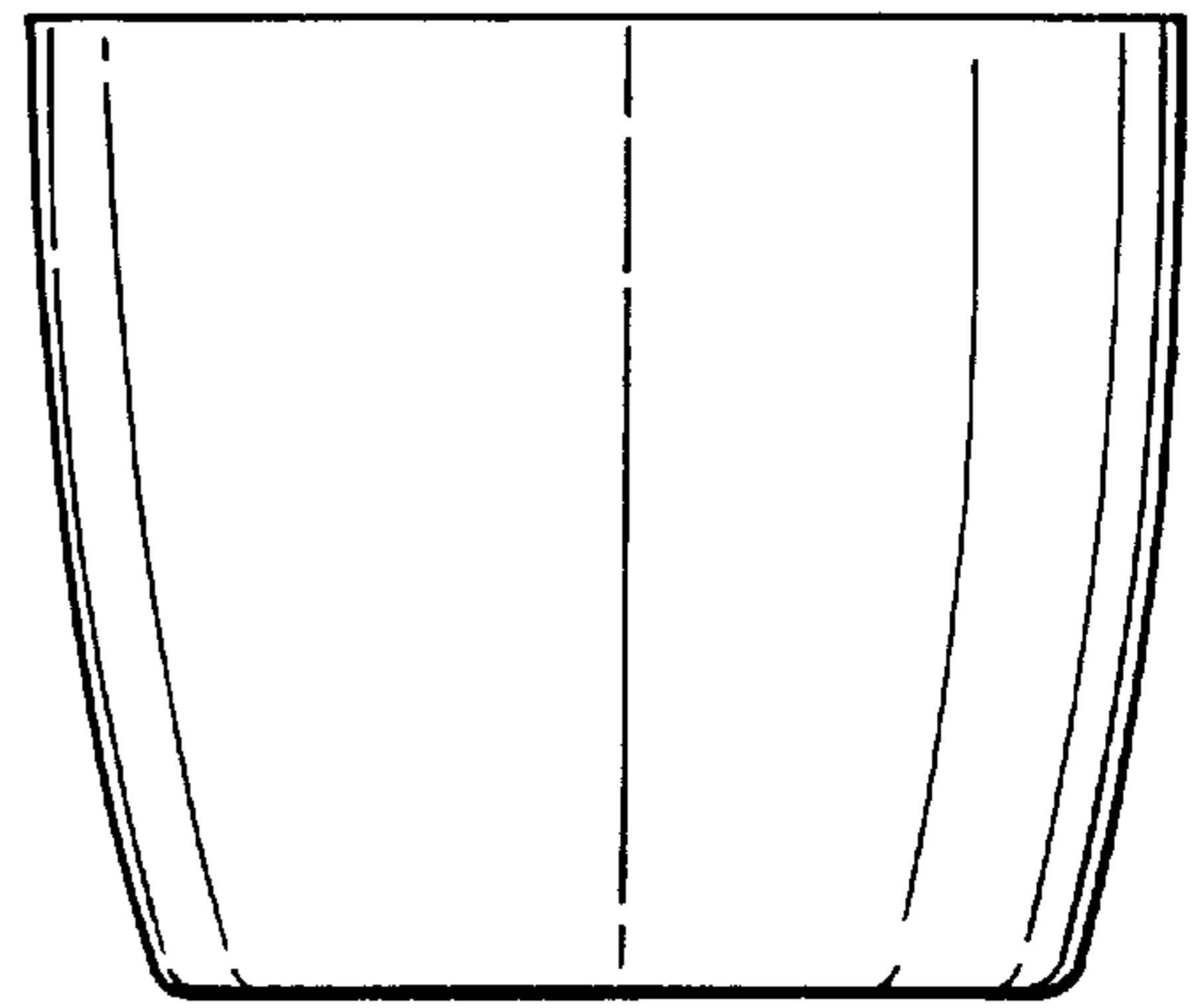
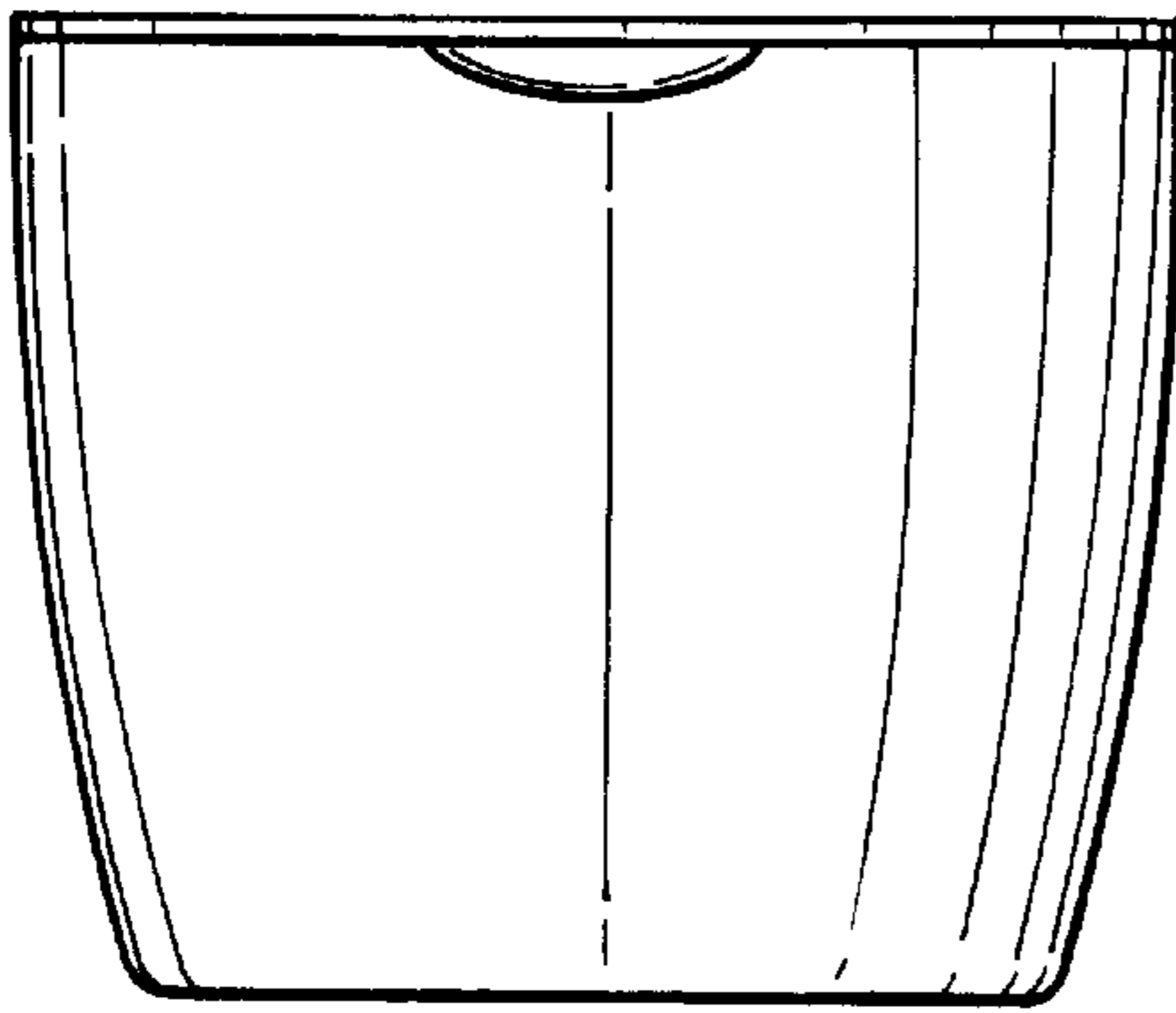


FIG-4

FIG-5