



US00D437787S

(12) **United States Design Patent**  
**Ho**

(10) **Patent No.:** **US D437,787 S**

(45) **Date of Patent:** **\*\* Feb. 20, 2001**

(54) **CANDY DISPENSER WITH WATCH**

5,385,267 \* 1/1995 Diamond ..... 221/248  
5,913,453 \* 6/1999 Coleman et al. .... 221/24

(75) Inventor: **K. K. Ho**, Kowloon (HK)

\* cited by examiner

(73) Assignee: **Tat Lee Confectionery and Novelty Company Limited**, Kowloon (HK)

*Primary Examiner*—Nelson C. Holtje

(74) *Attorney, Agent, or Firm*—Bazerman & Drangel, PC

(\*\*) Term: **14 Years**

(57) **CLAIM**

(21) Appl. No.: **29/106,351**

The ornamental design for a candy dispenser with watch, as shown and described.

(22) Filed: **Jun. 14, 1999**

**DESCRIPTION**

(51) **LOC (7) Cl.** ..... **10-01**

(52) **U.S. Cl.** ..... **D10/2**

(58) **Field of Search** ..... D10/2; 368/10;  
221/67-68, 74, 199, 248, 24; D9/339

FIG. 1 is a front perspective view of the candy dispenser with watch showing my new design, the broken-line showing of a hand being environmental only and forming no part of the claimed design.

FIG. 2 is a front plan view thereof;

FIG. 3 is a left side view of the candy dispenser with watch;

FIG. 4 is a right side view of said candy dispenser with watch;

FIG. 5 is a back view of the candy dispenser with watch of the present invention;

FIG. 6 is a top view of the candy dispenser with watch of the present invention; and,

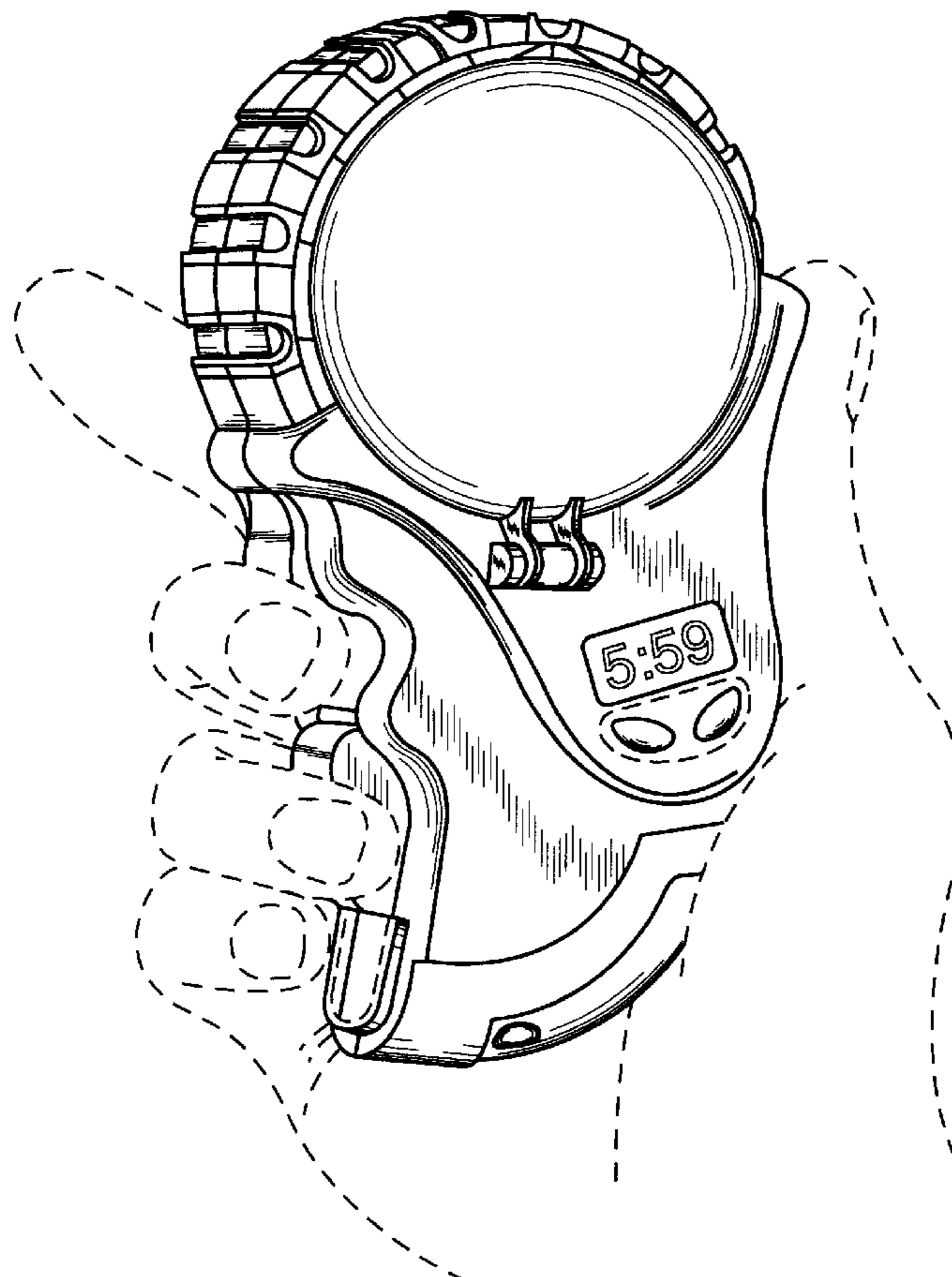
FIG. 7 is a bottom view of the candy dispenser with watch of the present invention.

(56) **References Cited**

**U.S. PATENT DOCUMENTS**

D. 186,465	*	10/1959	Tregilas	.....	D9/339
D. 312,215	*	11/1990	Houlihan	.....	D10/30
D. 366,827	*	2/1996	Rothman	.....	D9/339
D. 367,225	*	2/1996	Rothman	.....	D9/339
D. 375,679	*	11/1996	Russell	.....	D9/339
D. 393,597	*	4/1998	Pail	.....	D10/30
D. 396,193	*	7/1998	Pail	.....	D10/30
2,590,476	*	3/1952	Stough	.	
5,178,298	*	1/1993	Allins	.....	221/24

**1 Claim, 5 Drawing Sheets**



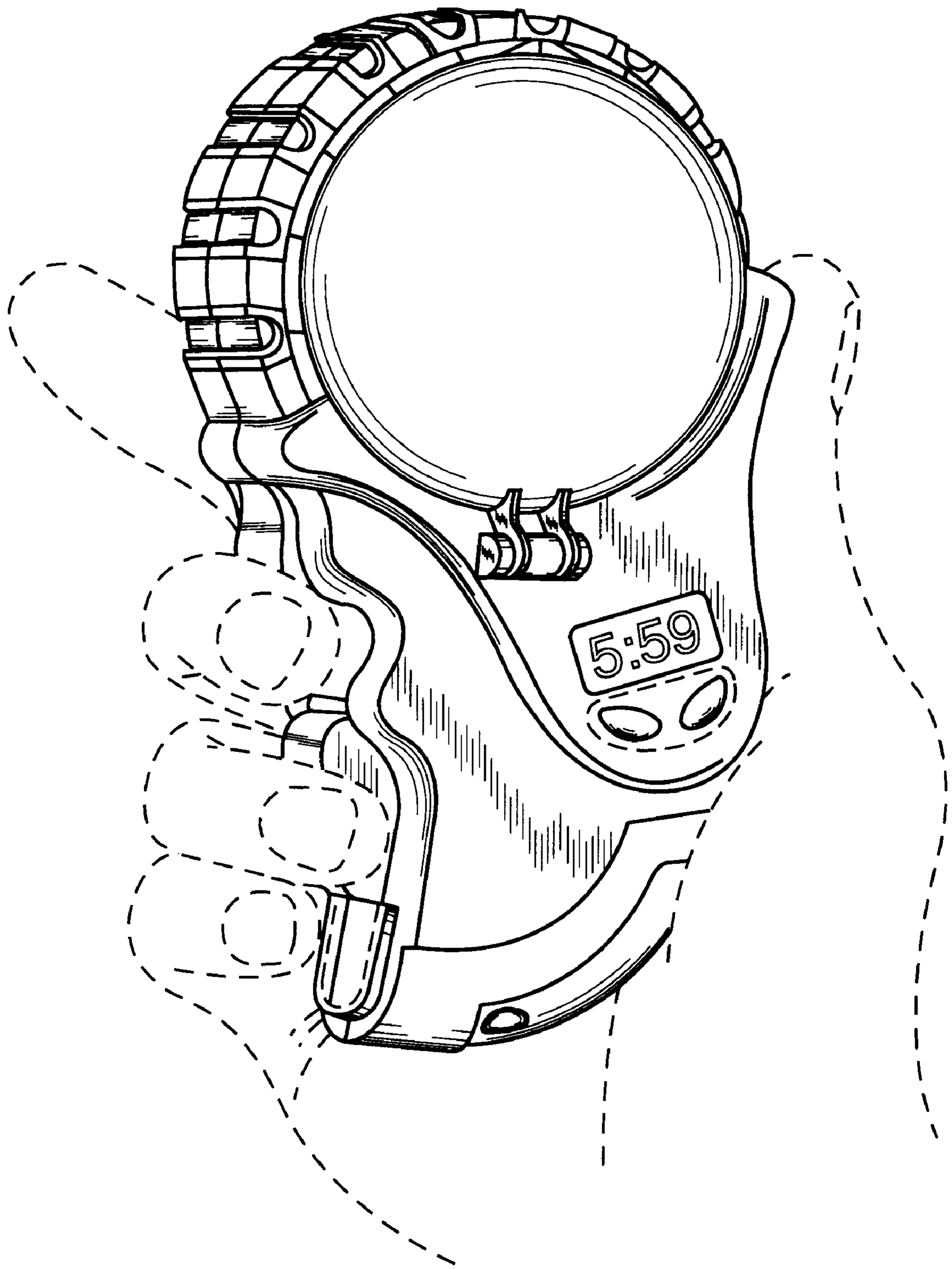


FIG. 1

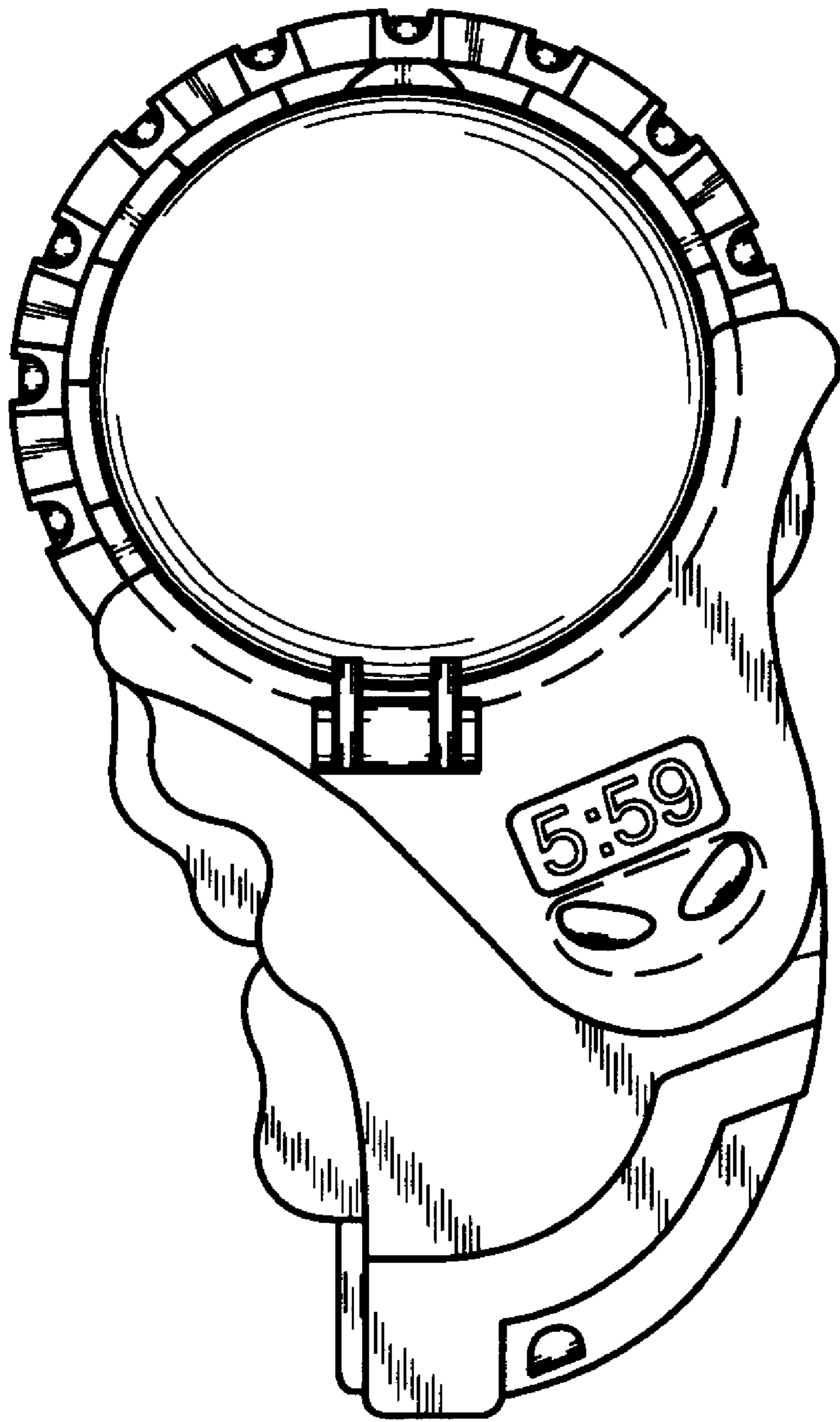


FIG. 2

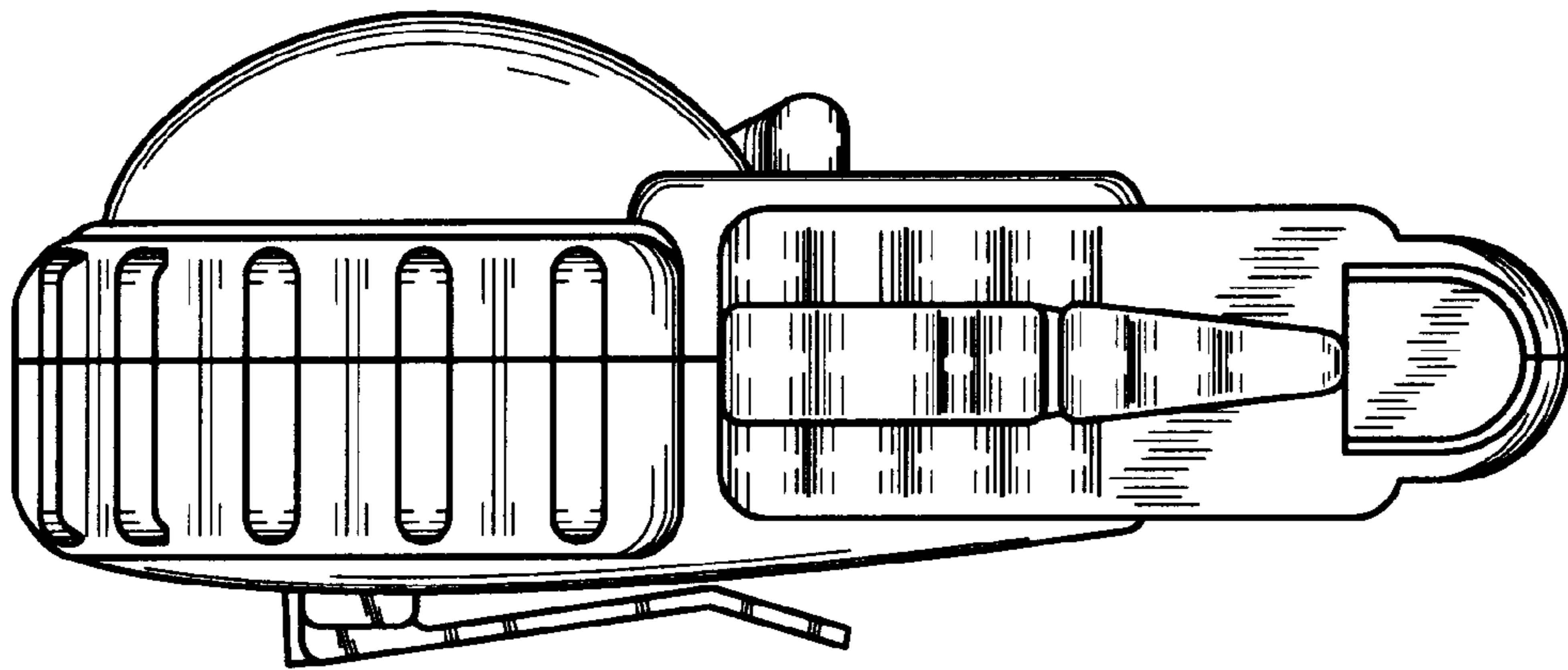


FIG. 3

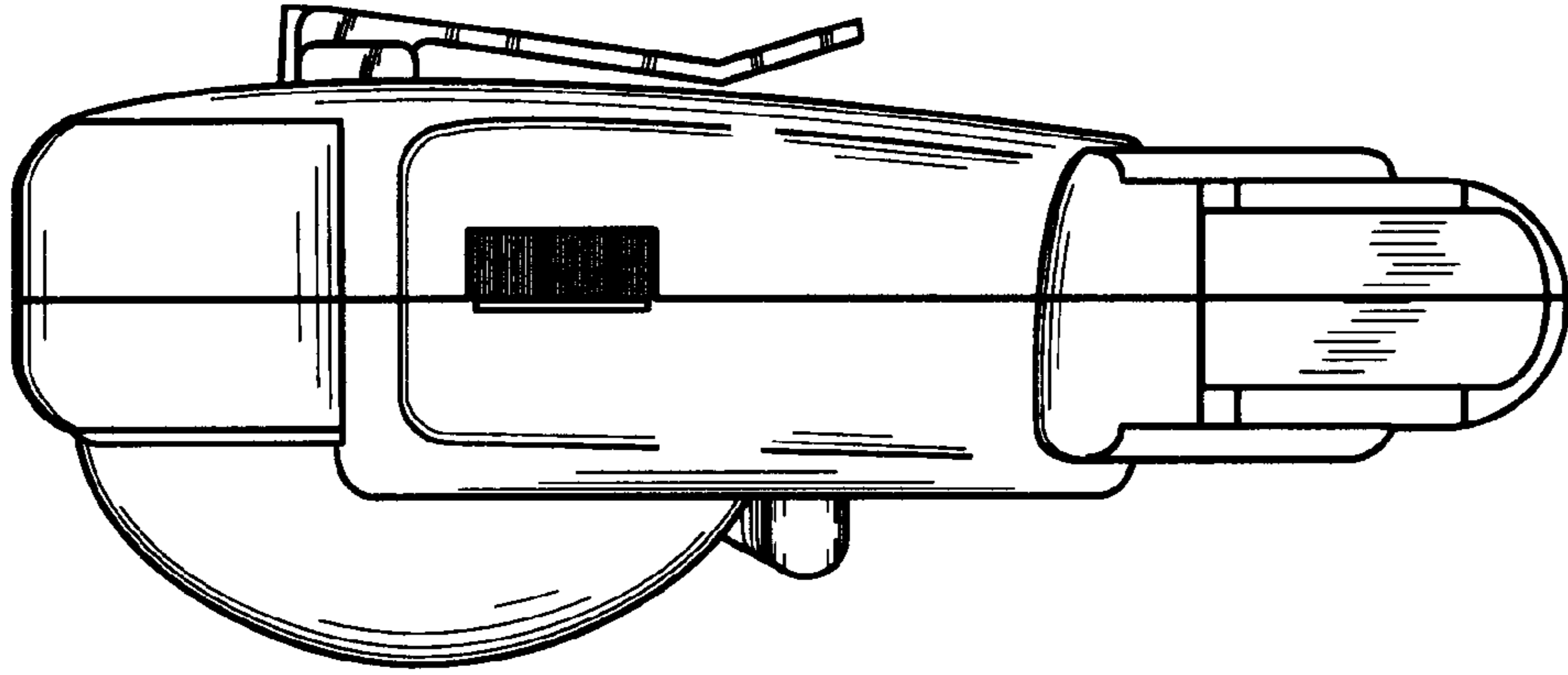


FIG. 4

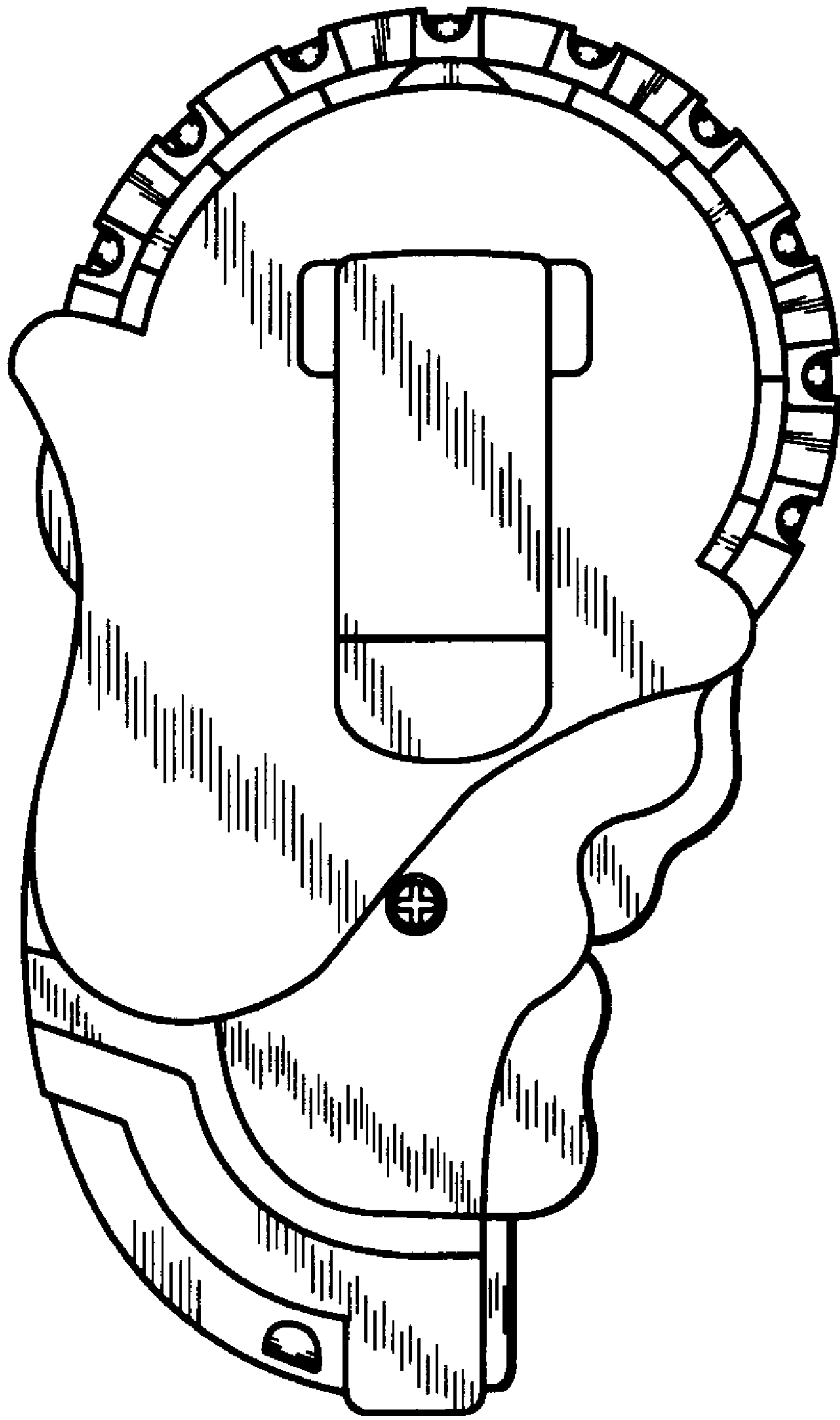


FIG. 5

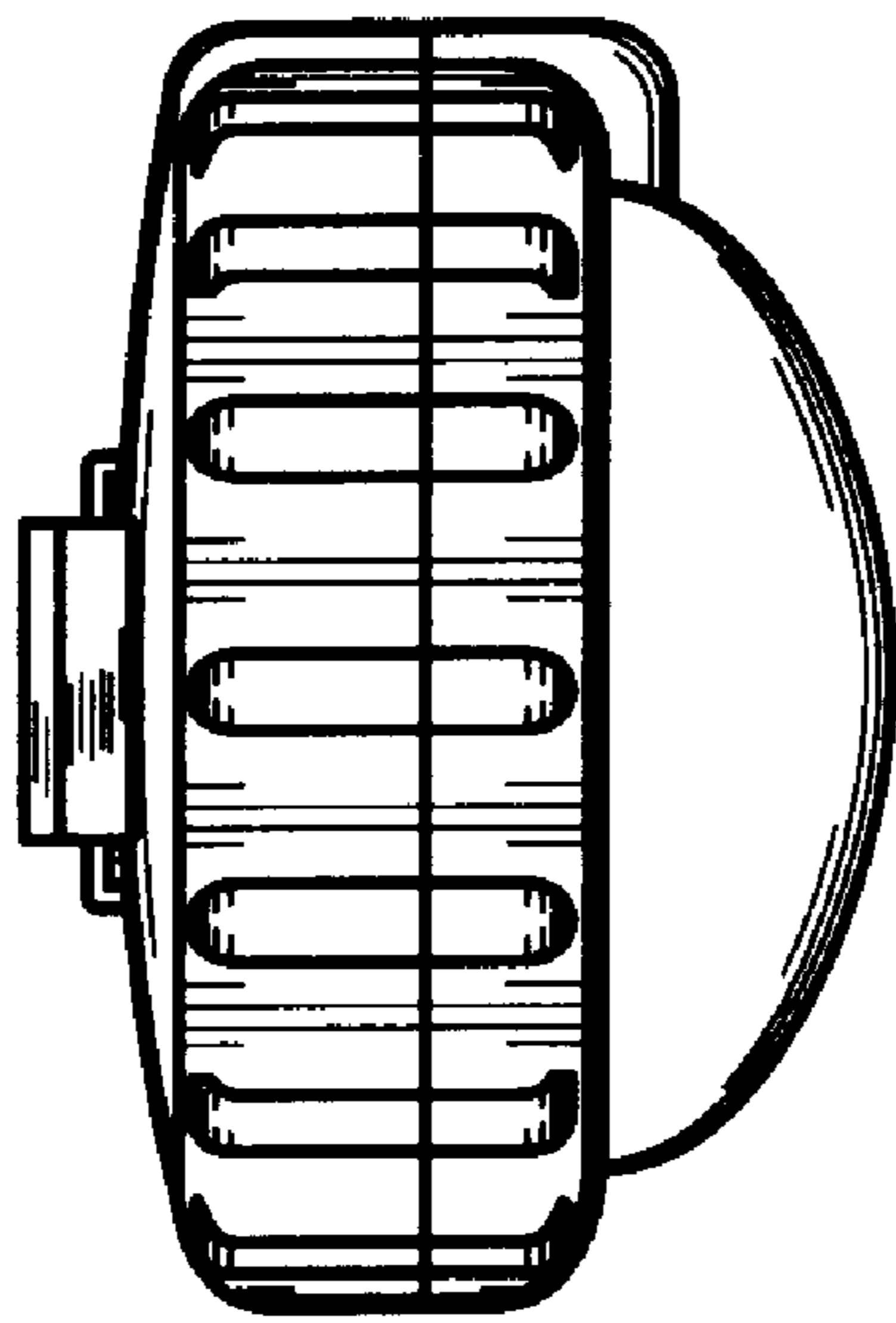


FIG. 6

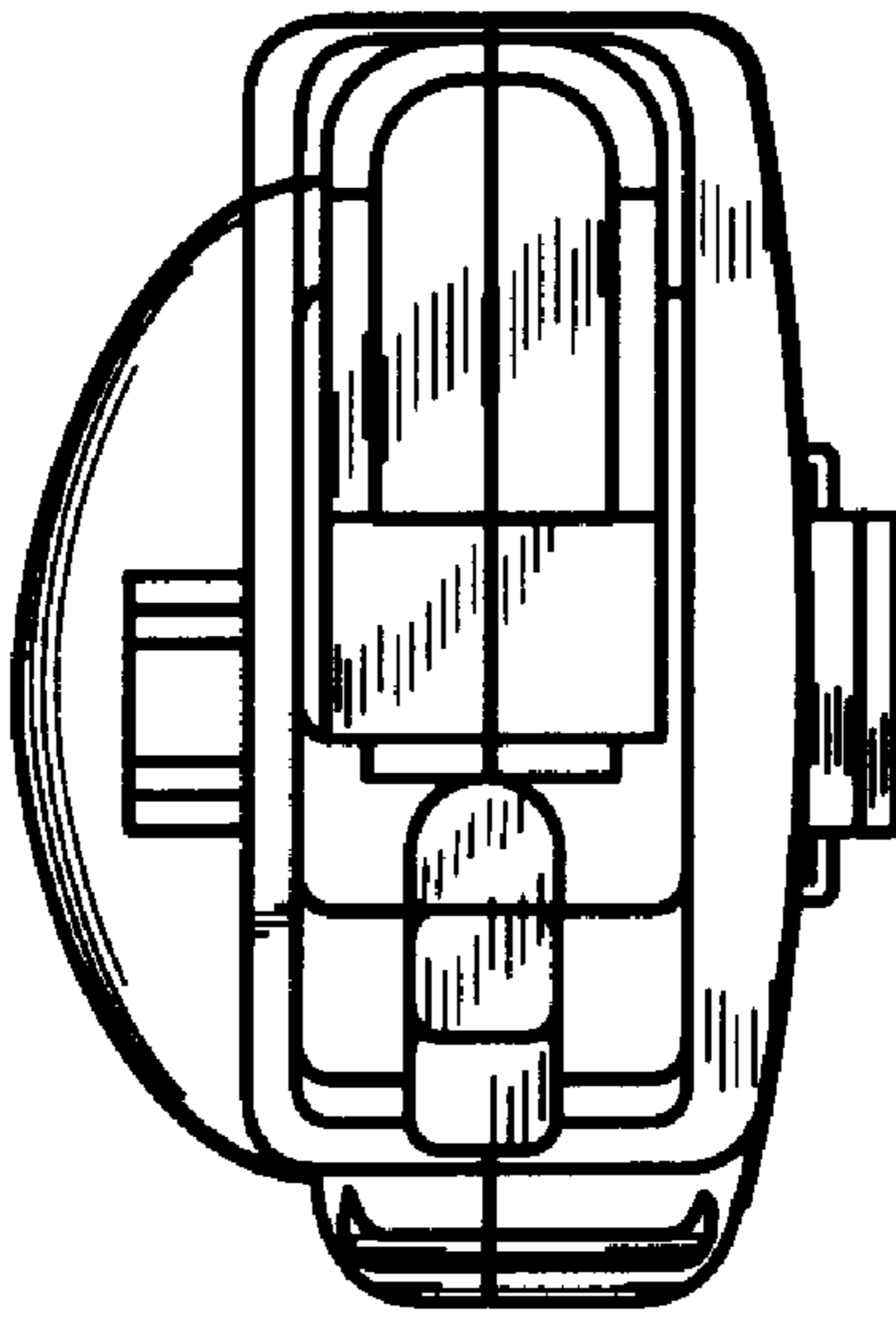


FIG. 7