



US00D437784S

(12) **United States Design Patent**  
**Arai et al.**

(10) **Patent No.:** **US D437,784 S**

(45) **Date of Patent:** **\*\* Feb. 20, 2001**

(54) **DOSING COVER**

(75) **Inventors:** **Nilson Satoshi Arai; Sandro Bragoni,**  
both of Sao Paulo (BR)

(73) **Assignee:** **Unilever Home and Personal Care**  
**USA, division of Conopco, Inc.,**  
Greenwich, CT (US)

(\*\*) **Term:** **14 Years**

(21) **Appl. No.:** **29/117,139**

(22) **Filed:** **Jan. 18, 2000**

(30) **Foreign Application Priority Data**

Jul. 22, 1999 (BR) ..... 5901233

(51) **LOC (7) Cl.** ..... **09-07**

(52) **U.S. Cl.** ..... **D9/447**

(58) **Field of Search** ..... D9/435, 440, 447,  
D9/449, 450, 454; 222/108, 109, 110, 111,  
566, 568, 569, 571

(56) **References Cited**

**U.S. PATENT DOCUMENTS**

D. 277,937 \* 3/1985 Fortuna ..... D9/447

D. 292,489 \* 10/1987 Kowollik et al. .... D9/447  
D. 292,490 \* 10/1987 Kowollik et al. .... D9/447  
D. 292,491 \* 10/1987 Ross et al. .... D9/447  
D. 425,792 \* 5/2000 Haller ..... D9/447  
5,251,788 \* 10/1993 Moore ..... 222/111  
5,855,299 \* 1/1999 Arnold et al. .... 222/109

\* cited by examiner

*Primary Examiner*—Cathron Brooks

(74) *Attorney, Agent, or Firm*—Alan A. Bornstein

(57) **CLAIM**

The ornamental design for a dosing cover, as shown.

**DESCRIPTION**

FIG. 1: depicts a front side view of the dosing cover, which is the object of the present design.

FIG. 2 depicts a top perspective view of the dosing cover of FIG. 1.

FIG. 3 depicts a bottom perspective view of the dosing cover of FIG. 1; and,

FIG. 4 depicts a lateral side view of the dosing cover of FIG. 1.

**1 Claim, 2 Drawing Sheets**

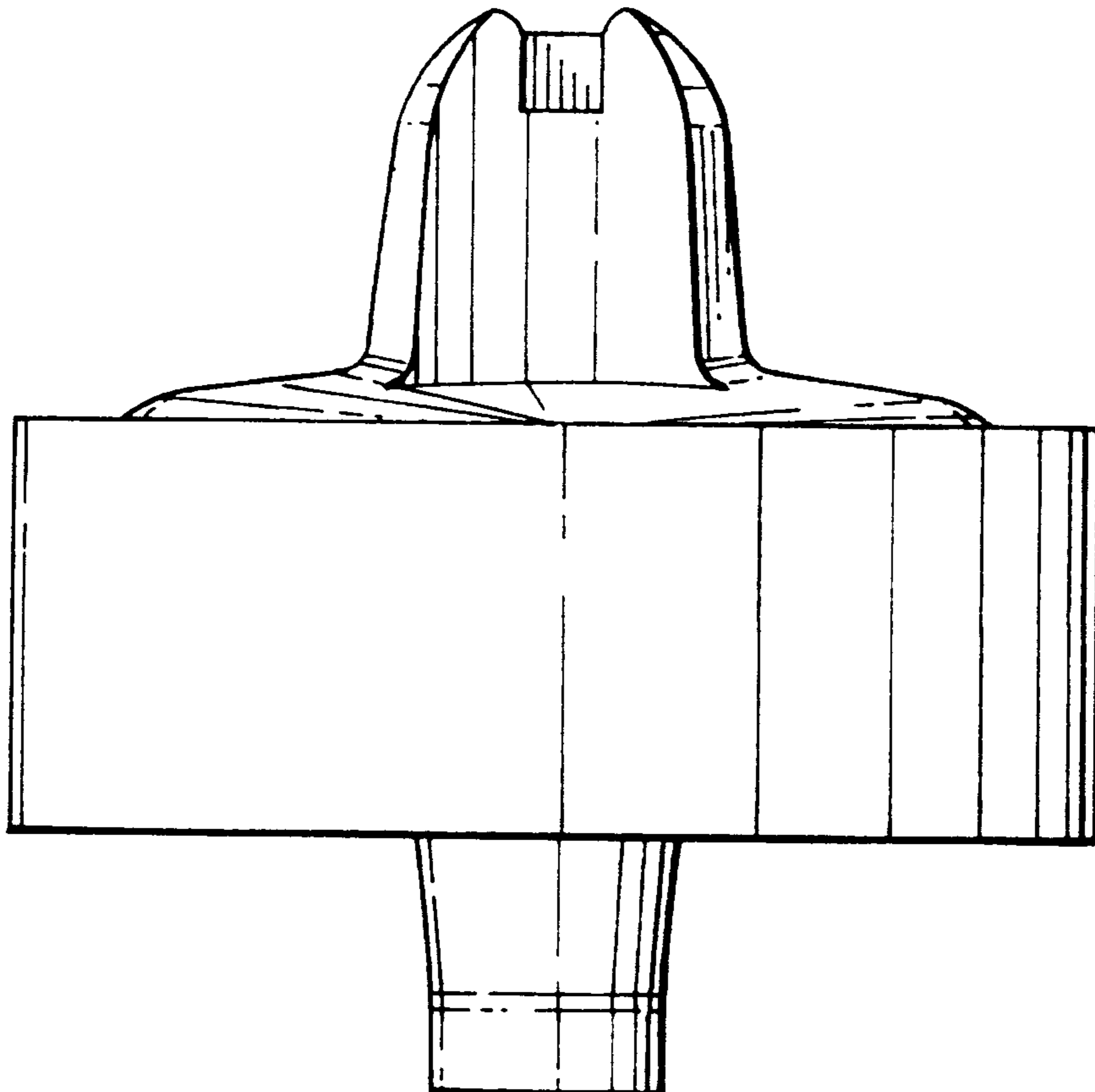


Fig. 1.

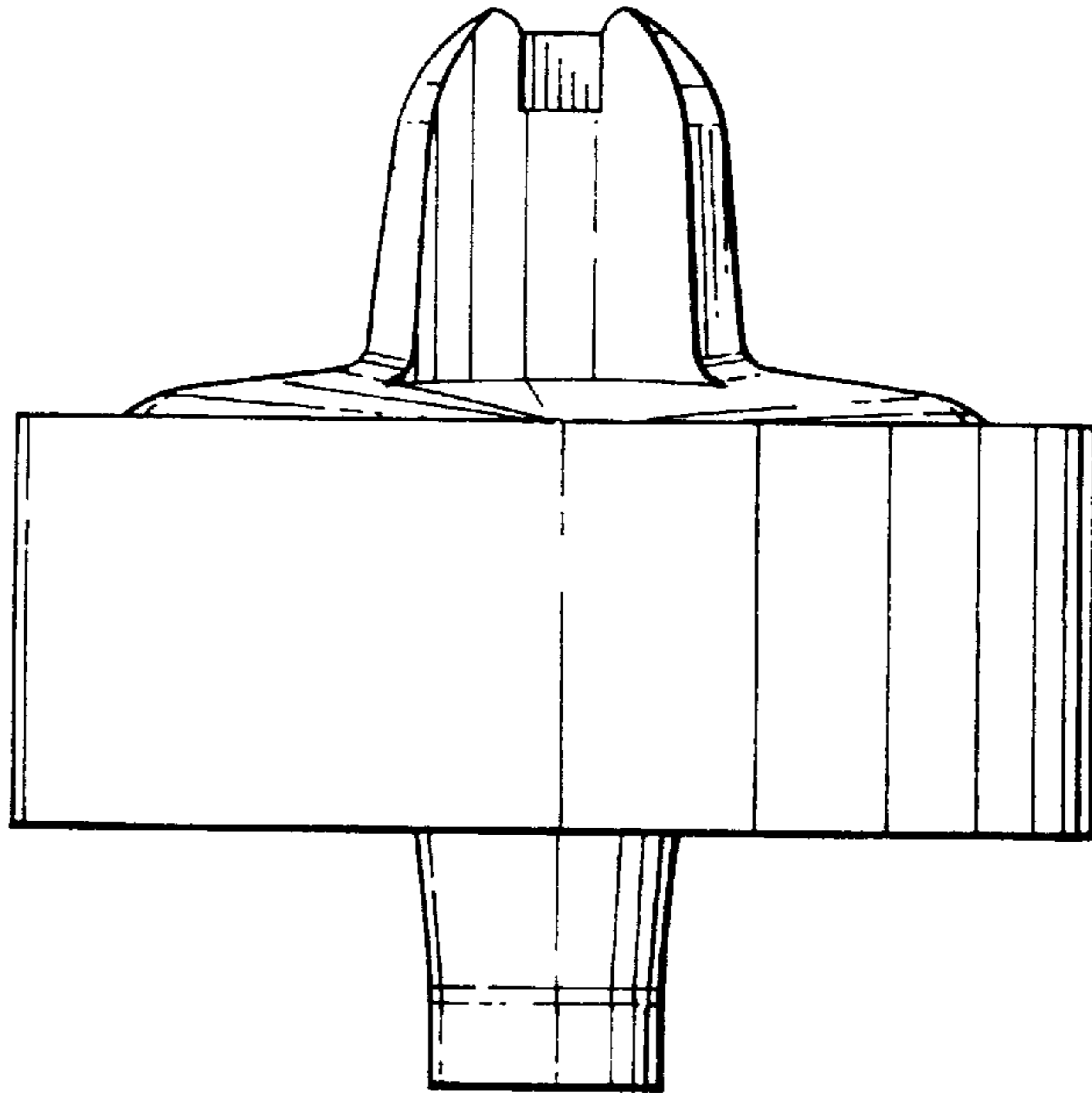


Fig. 2.

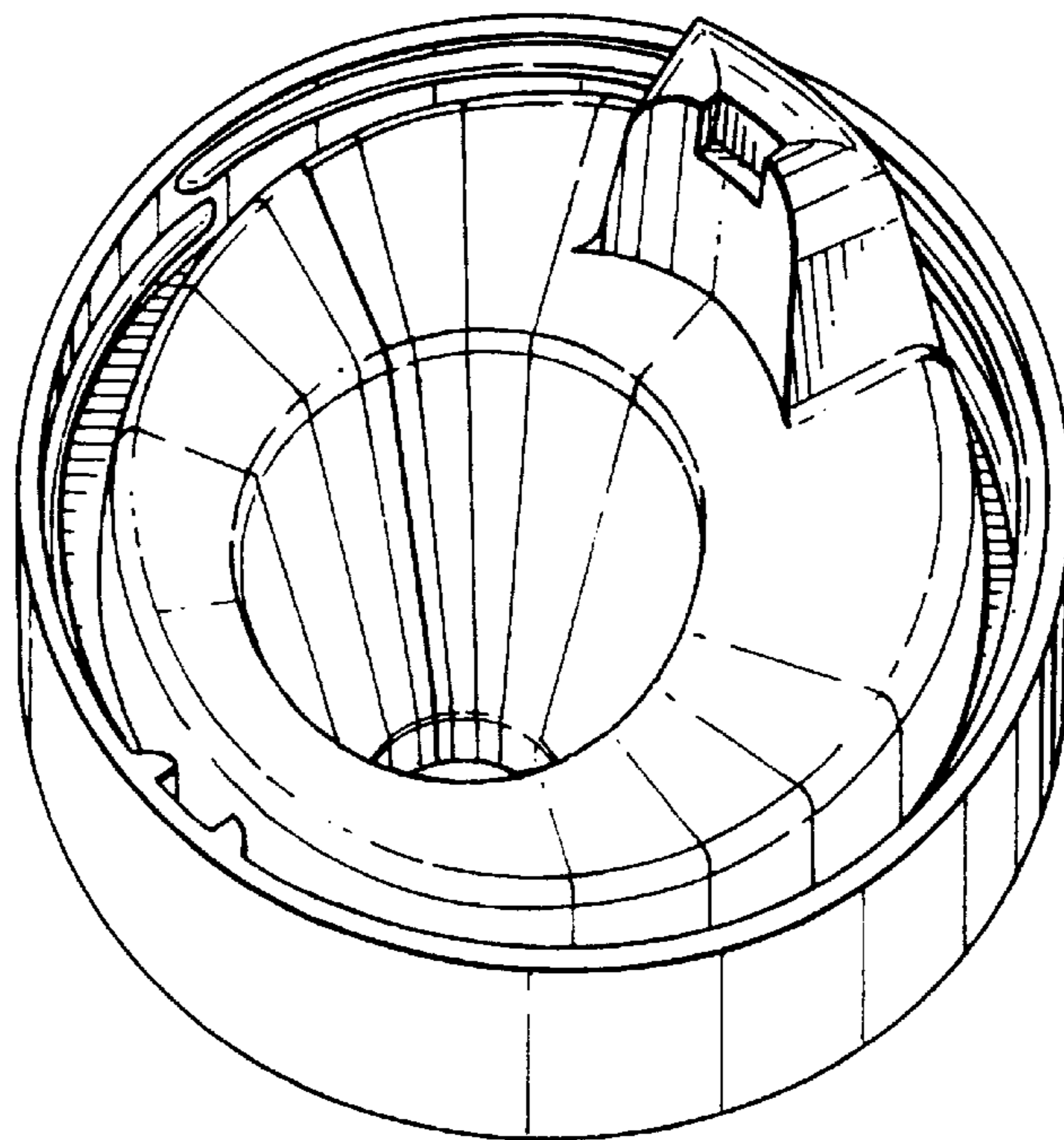


Fig.3.

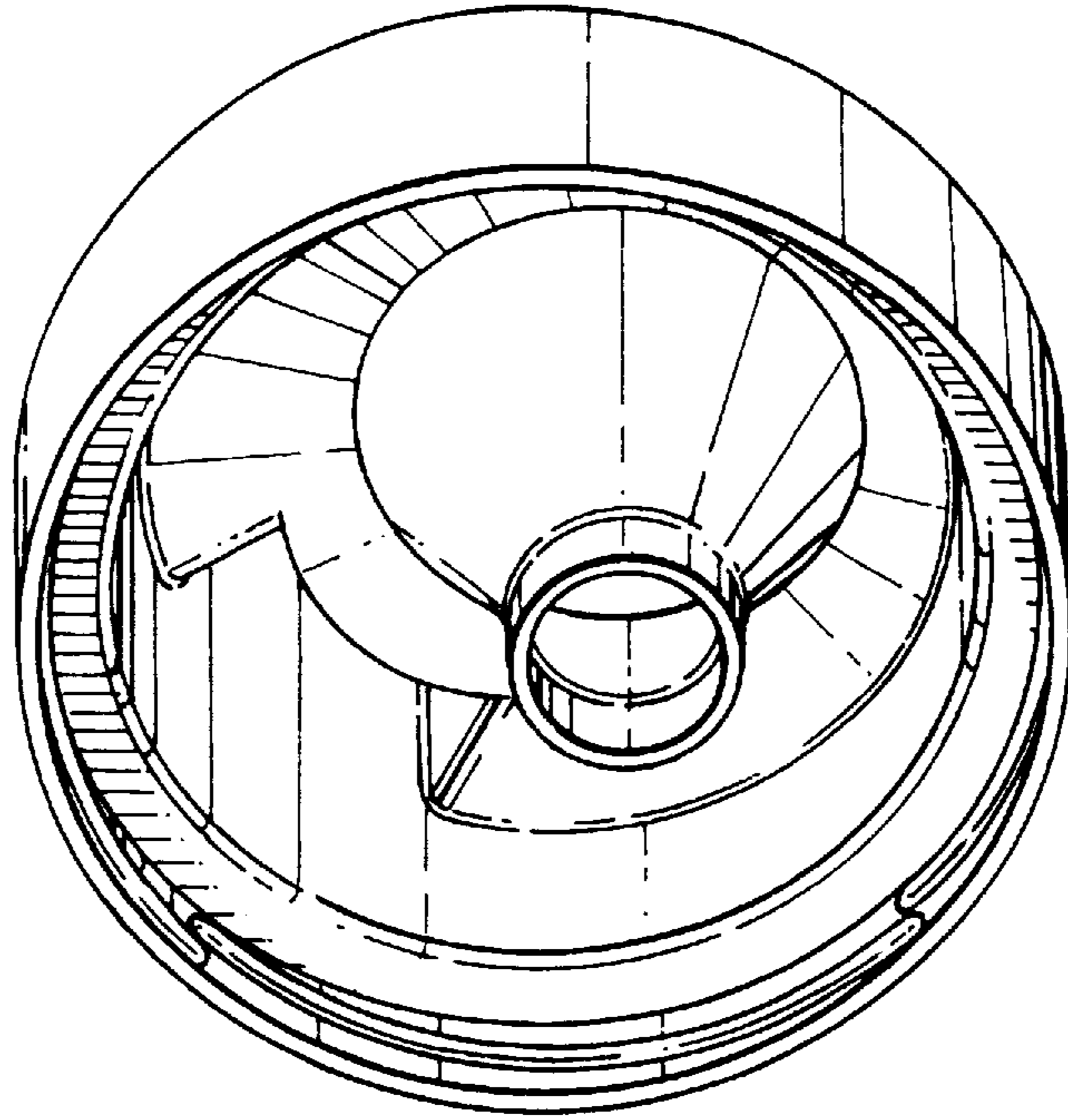


Fig.4.

