



US00D437783S

(12) **United States Design Patent**
Näslund

(10) **Patent No.:** **US D437,783 S**

(45) **Date of Patent:** **** Feb. 20, 2001**

(54) **SACK CLIP**

(75) **Inventor:** **Ingemar Näslund, Huddinge (SE)**

(73) **Assignee:** **Weland Medical AB (SE)**

(**) **Term:** **14 Years**

(21) **Appl. No.:** **29/113,281**

(22) **Filed:** **Nov. 2, 1999**

(30) **Foreign Application Priority Data**

May 4, 1999 (SE) 99-0831

(51) **LOC (7) Cl.** **09-07**

(52) **U.S. Cl.** **D9/443**

(58) **Field of Search** D9/434, 435, 443;
D8/394, 395, 396; 24/30.5 S, 492, 499,
511, 517, 518, DIG. 28; 47/44

(56) **References Cited**

U.S. PATENT DOCUMENTS

D. 218,515 * 8/1970 Tomaiuolo D9/435
D. 323,975 * 2/1992 Wise D8/396
D. 350,892 * 9/1994 Sorensen D8/395

D. 367,223 * 2/1996 Adams D8/395
3,087,218 * 4/1963 Fanning, Jr. 24/518
4,149,299 * 4/1979 Welsh 24/30.5 S
5,052,086 * 10/1991 Nasuno 24/511

* cited by examiner

Primary Examiner—Cathron B. Matta

(74) *Attorney, Agent, or Firm*—Larson & Taylor, PLC

(57) **CLAIM**

The ornamental design for a sack clip, as shown and described.

DESCRIPTION

FIG. 1 is a front elevational view of a sack clip;

FIG. 2 is a rear elevational view thereof;

FIG. 3 is a top plan view thereof;

FIG. 4 is a bottom plane view thereof;

FIG. 5 is a left side elevational view thereof;

FIG. 6 is a right side elevational view thereof;

FIG. 7 is a bottom, front and right side perspective view thereof; and,

FIG. 8 is a bottom, front and left side perspective view of the sack clip in a widened position.

1 Claim, 3 Drawing Sheets

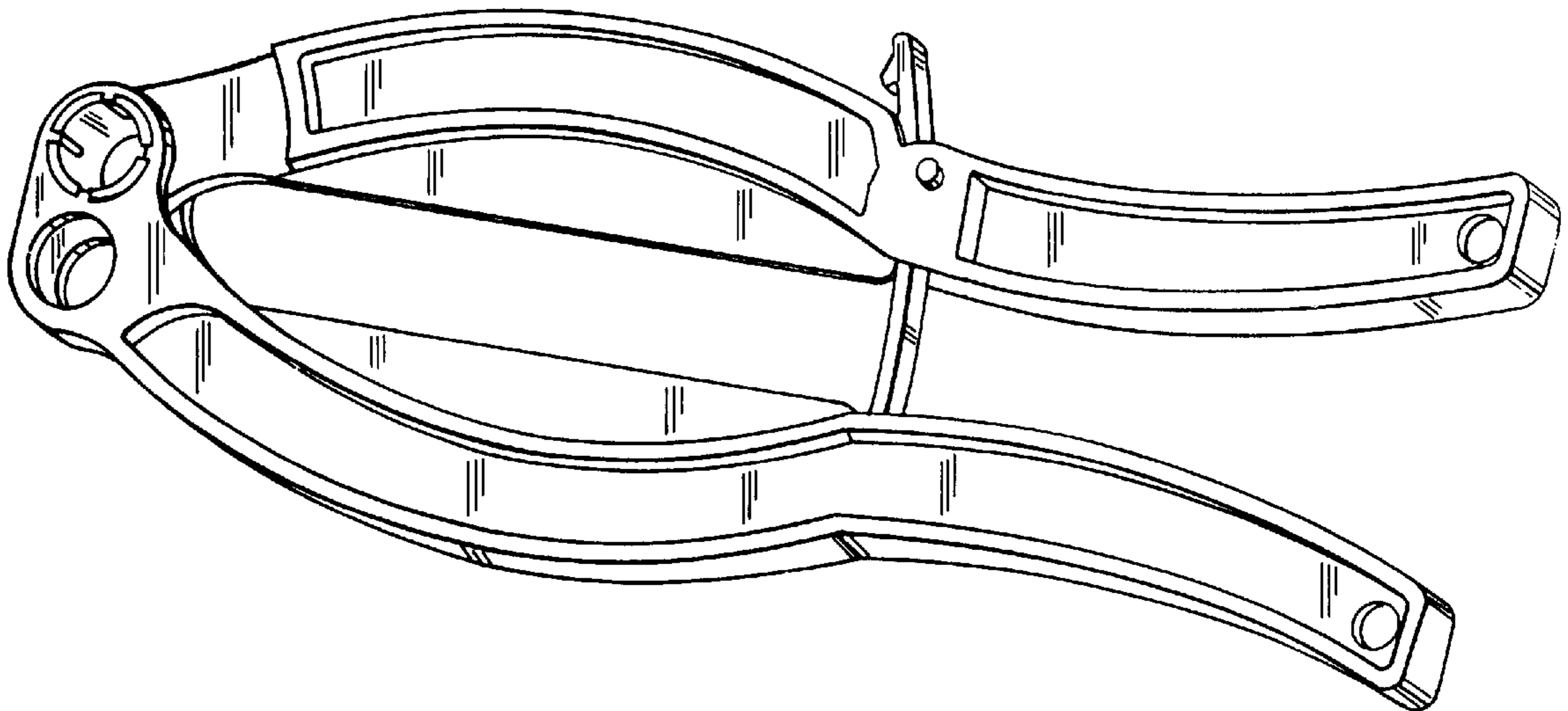


Fig. 5

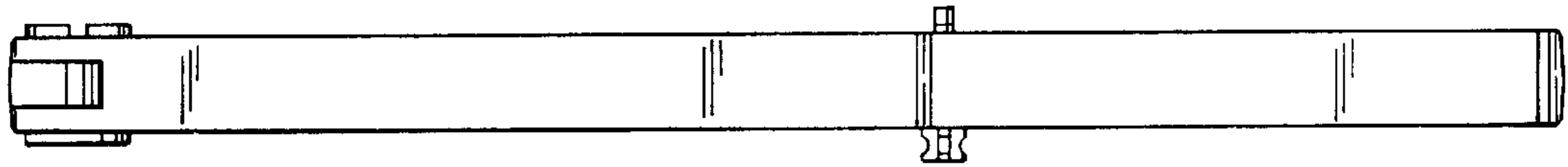


Fig. 1

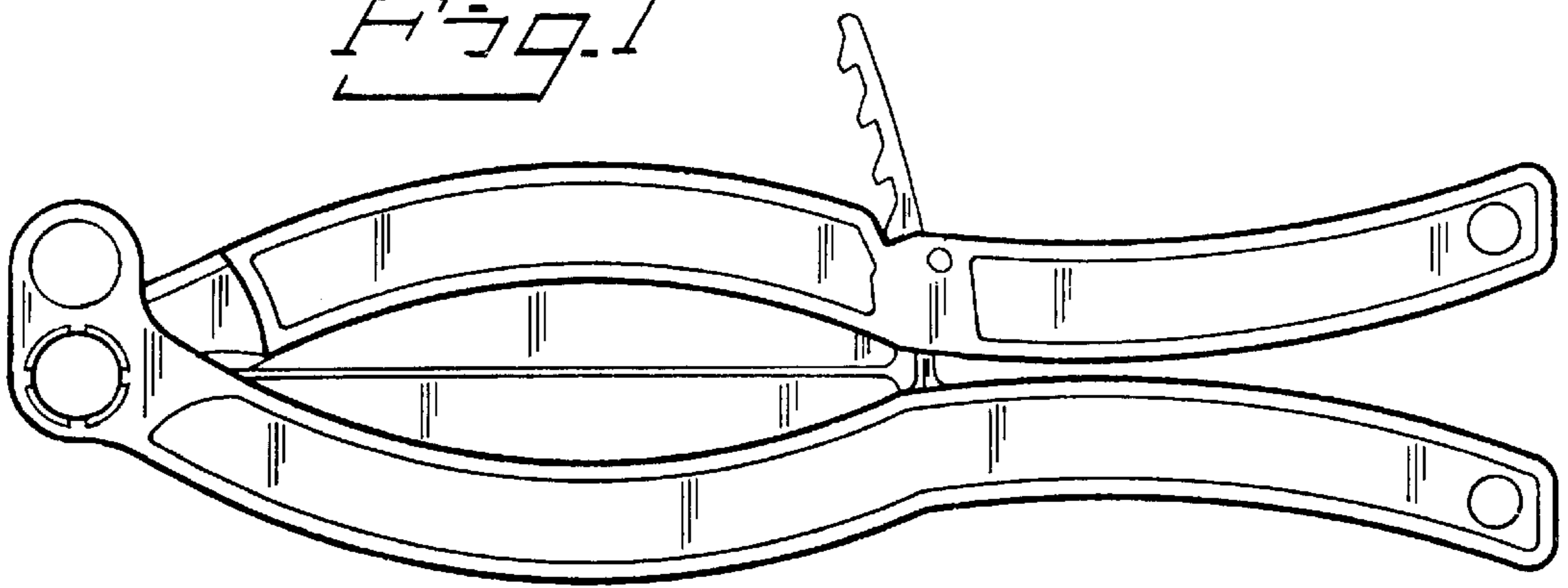


Fig. 6

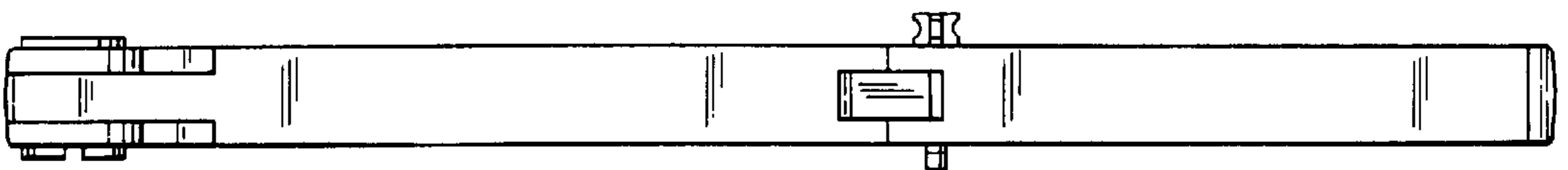


Fig. 2

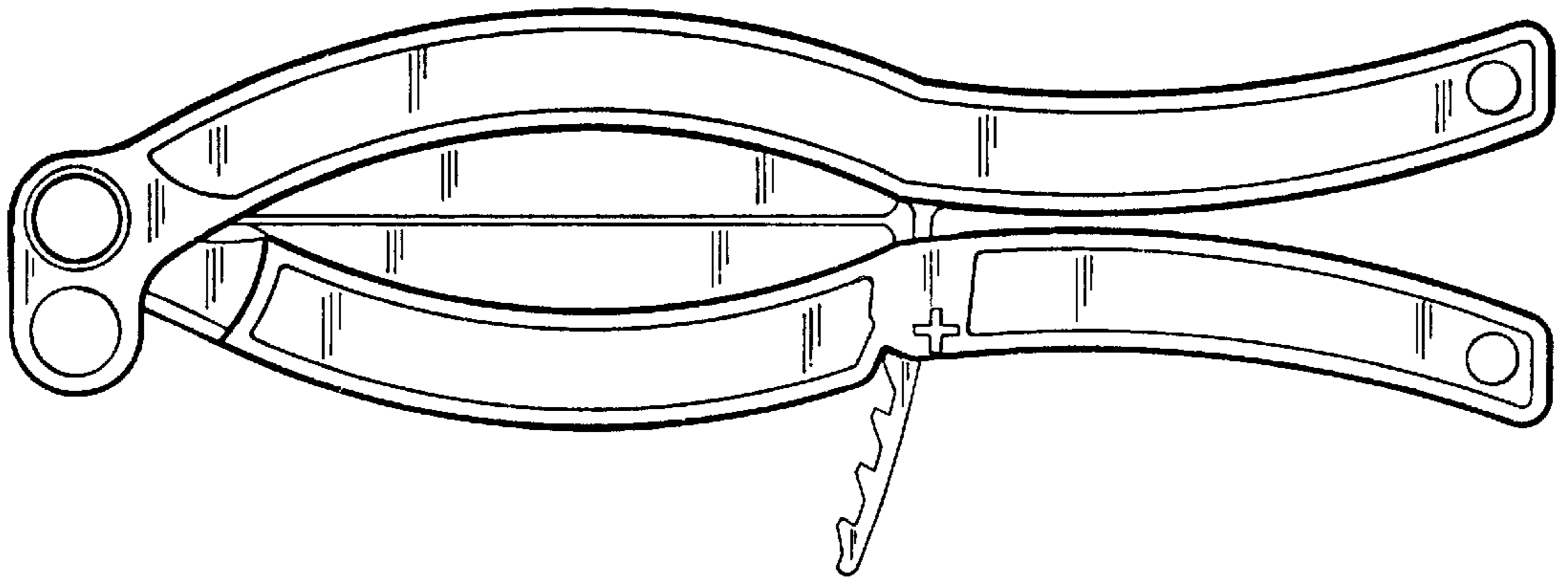


Fig. 3

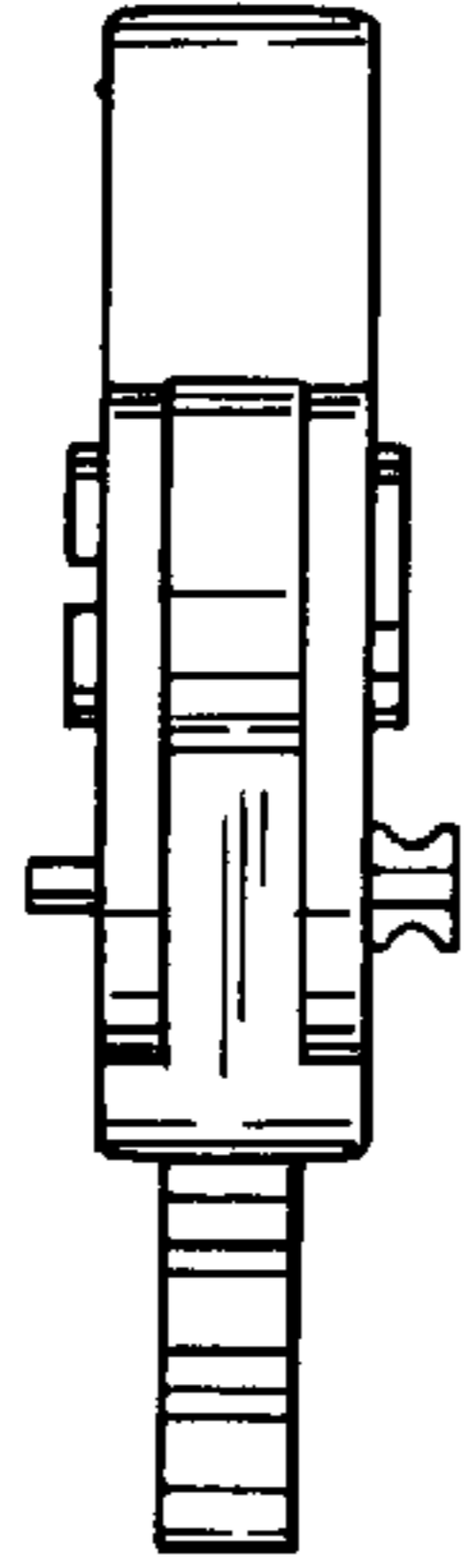


Fig. 4

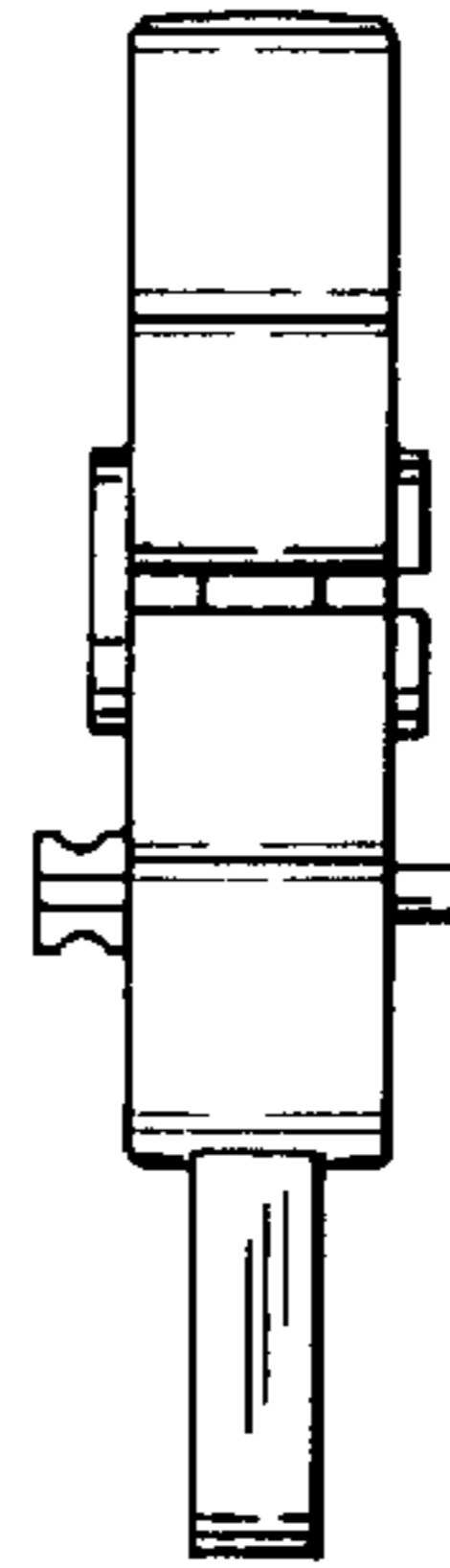


Fig. 7

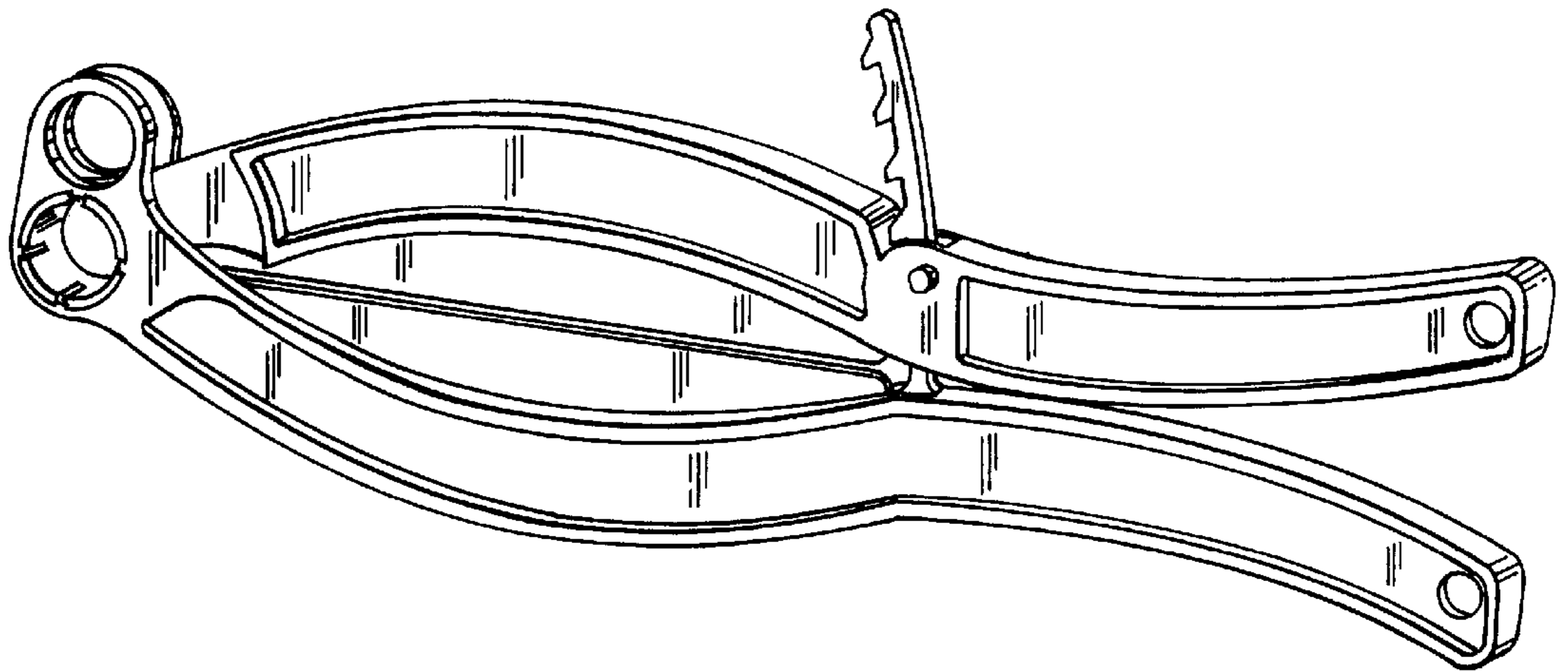


Fig. 8

