



US00D437782S

(12) **United States Design Patent**
Haley et al.

(10) **Patent No.:** **US D437,782 S**

(45) **Date of Patent:** **** Feb. 20, 2001**

(54) **BOTTLE STOPPER**

(75) Inventors: **James E. Haley**, 10 Bow La.,
Barrington Hills, IL (US) 60010;
Dennis Lee, West Chicago, IL (US)

(73) Assignee: **James E. Haley**, Barrington Hills, IL
(US)

(**) Term: **14 Years**

(21) Appl. No.: **29/113,358**

(22) Filed: **Nov. 3, 1999**

(51) **LOC (7) Cl.** **09-07**

(52) **U.S. Cl.** **D9/440**

(58) **Field of Search** D9/439, 440, 447,
D9/449, 446; 215/355, 357, 306; 220/375,
376; 222/543, 563, 565, 571

(56) **References Cited**

U.S. PATENT DOCUMENTS

D. 261,212 * 10/1981 Mills D7/700

D. 418,417 * 1/2000 Hollinger D9/440
2,872,060 * 2/1959 Brune et al. 215/364

* cited by examiner

Primary Examiner—Cathron Brooks

(74) *Attorney, Agent, or Firm*—Ryndak & Schwartz

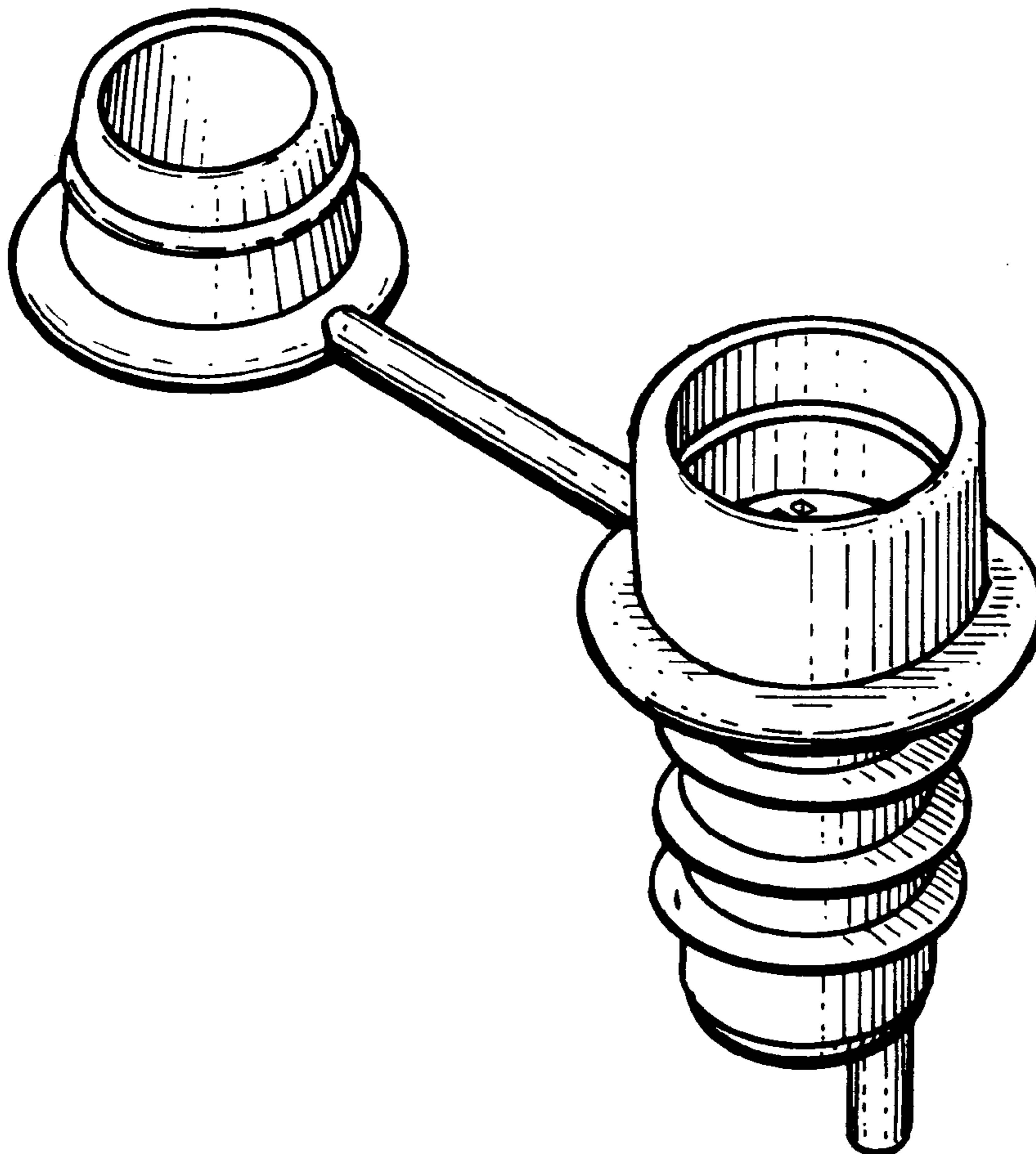
(57) **CLAIM**

The ornamental design for a bottle stopper, as shown and described.

DESCRIPTION

FIG. 1 is a perspective view of a bottle stopper showing our new design in the opened position;
FIG. 2 is a left side elevation view thereof;
FIG. 3 is a front elevation view thereof;
FIG. 4 is a top plan view thereof;
FIG. 5 is a right side elevation view thereof;
FIG. 6 is a rear elevation view thereof;
FIG. 7 is a bottom plan view thereof; and,
FIG. 8 is a front perspective view thereof showing the bottle stopper in the closed position.

1 Claim, 2 Drawing Sheets



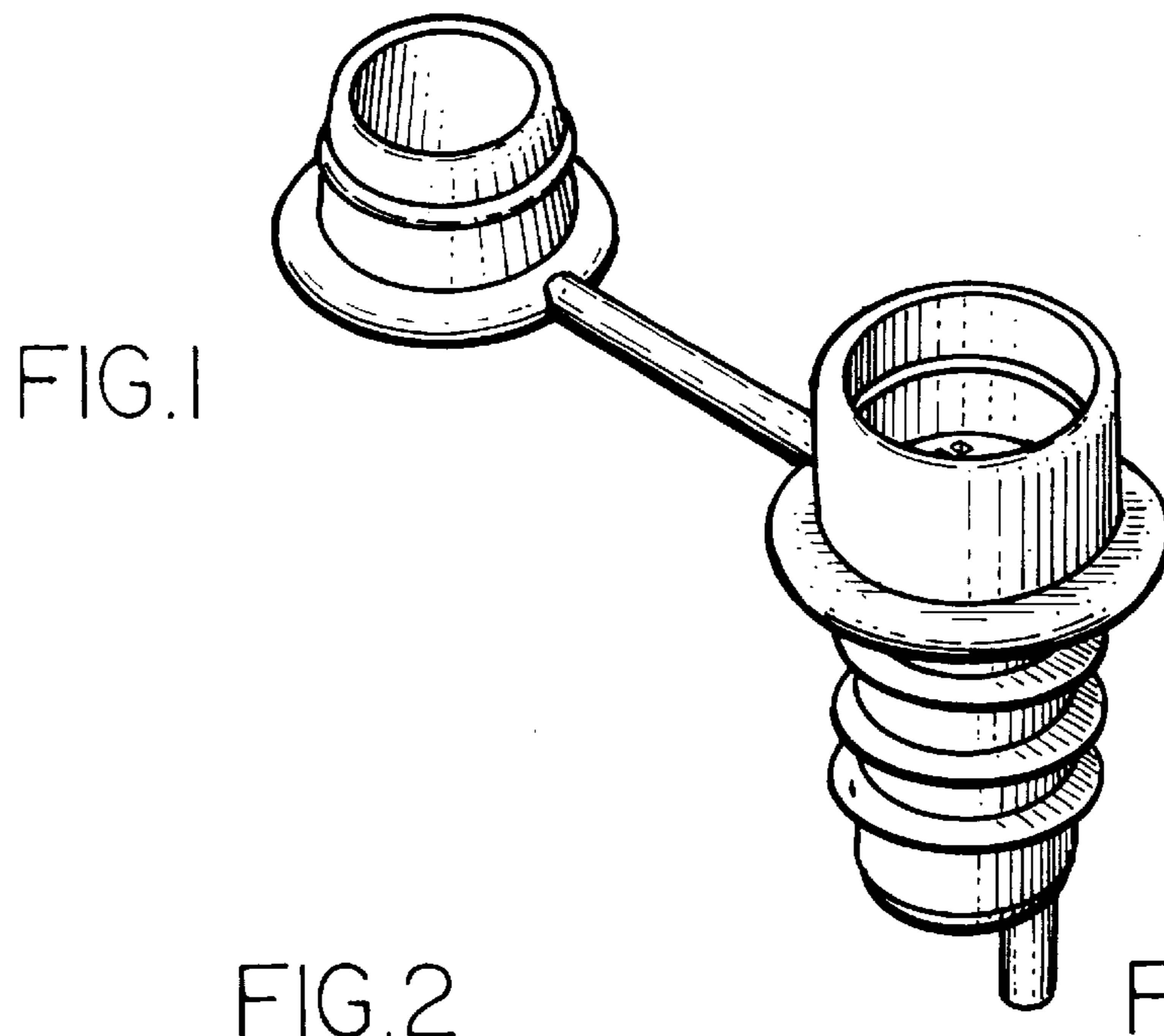


FIG. 1

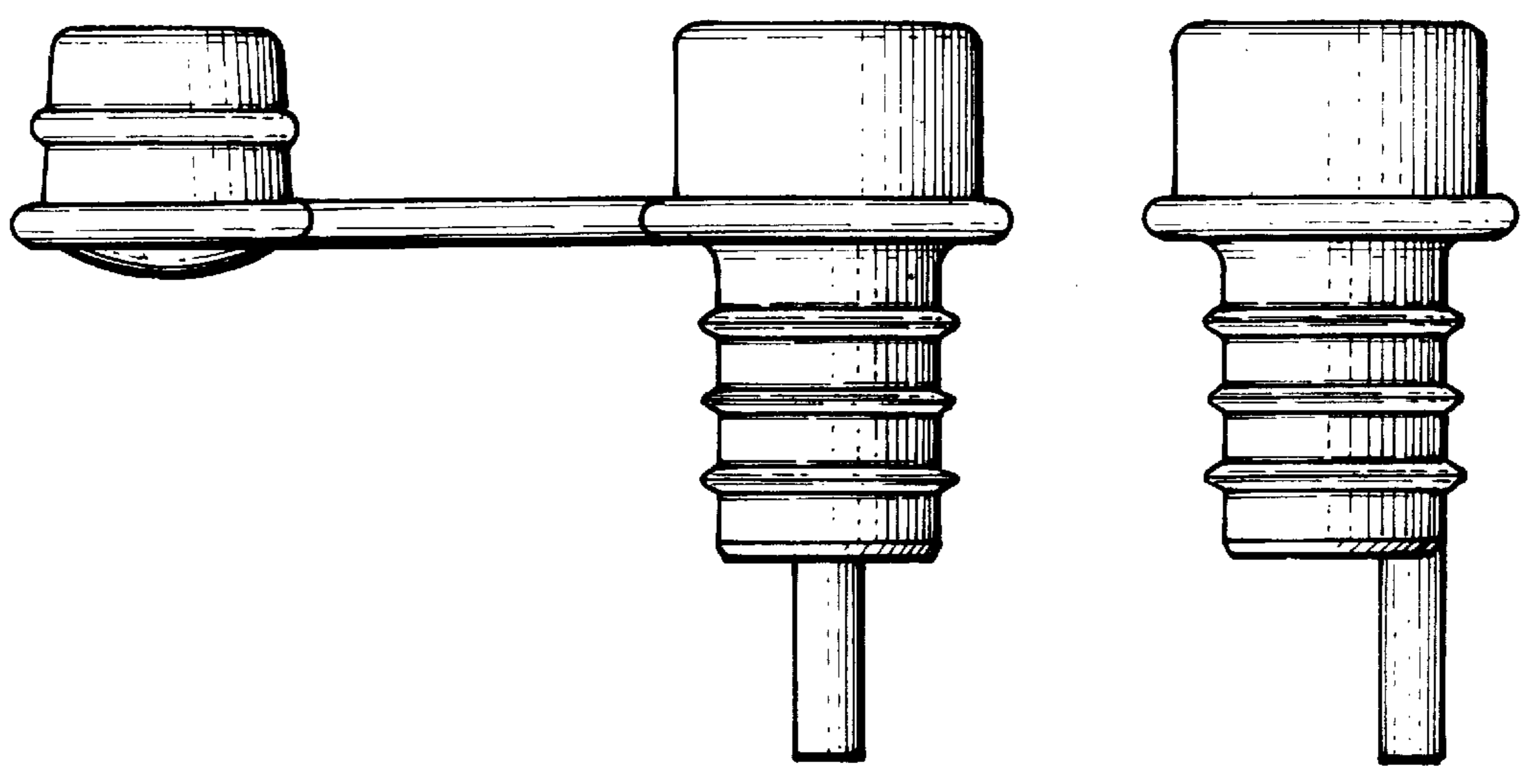


FIG. 2

FIG. 3

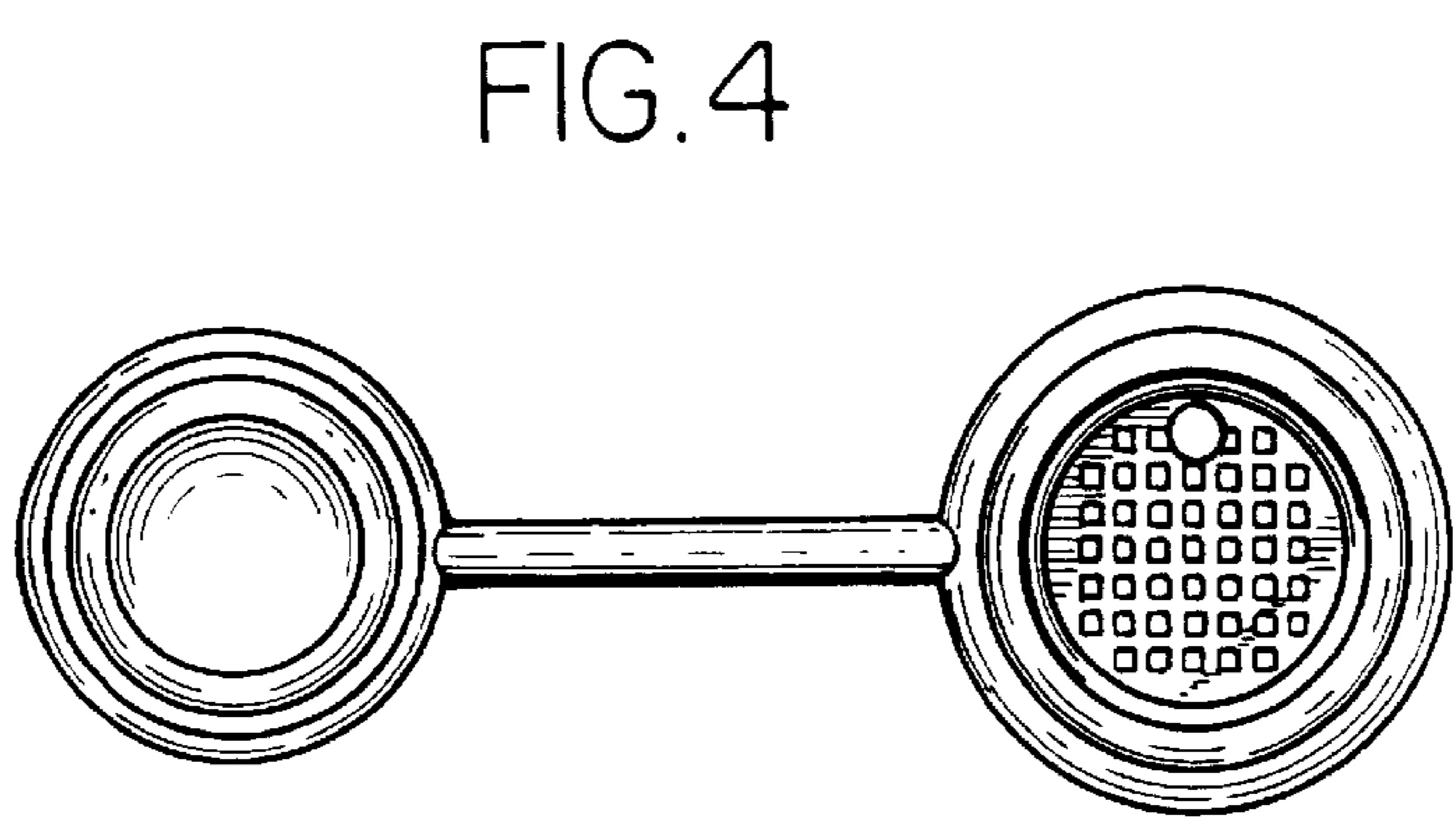


FIG. 4

FIG. 5

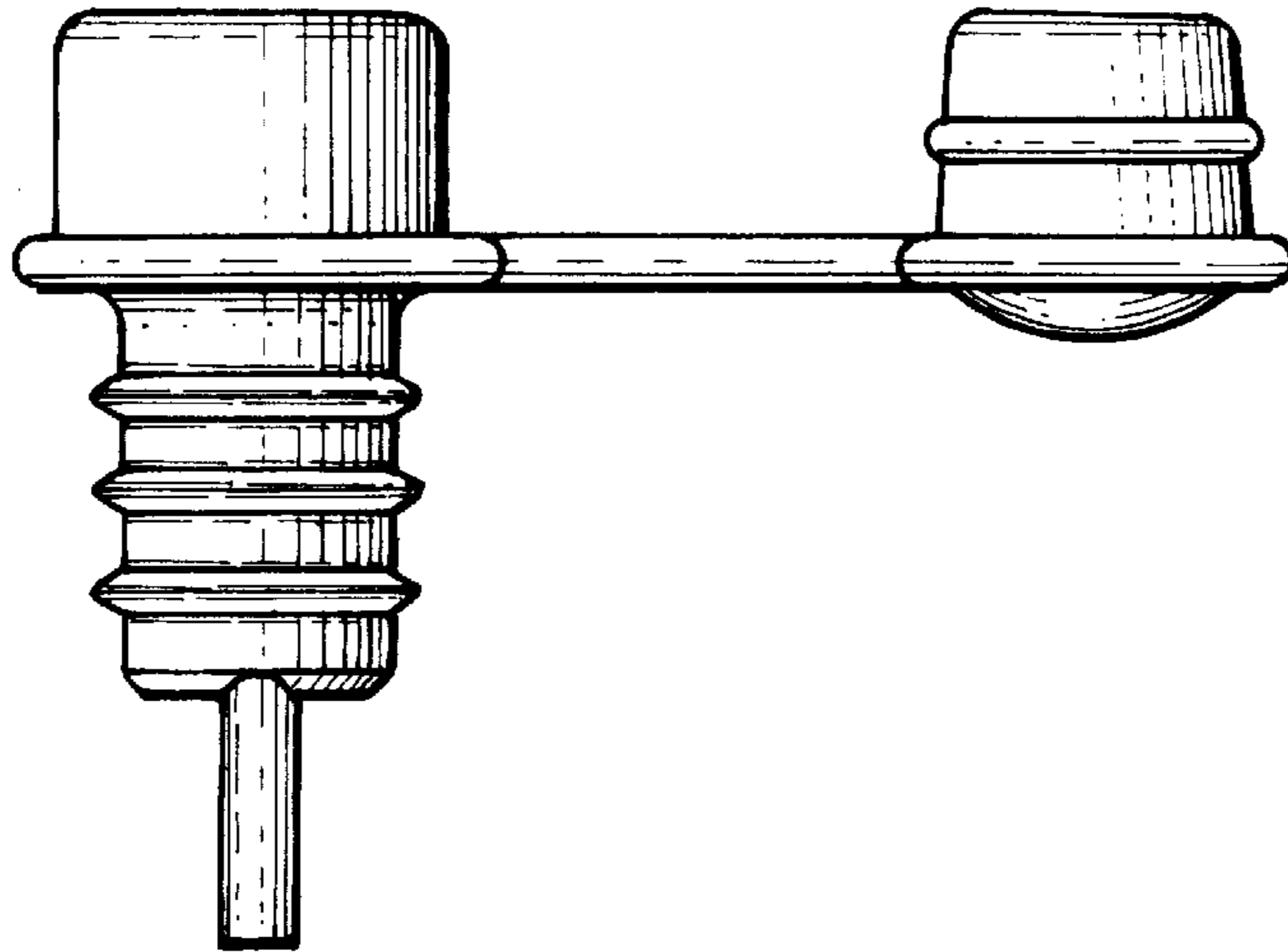


FIG. 6

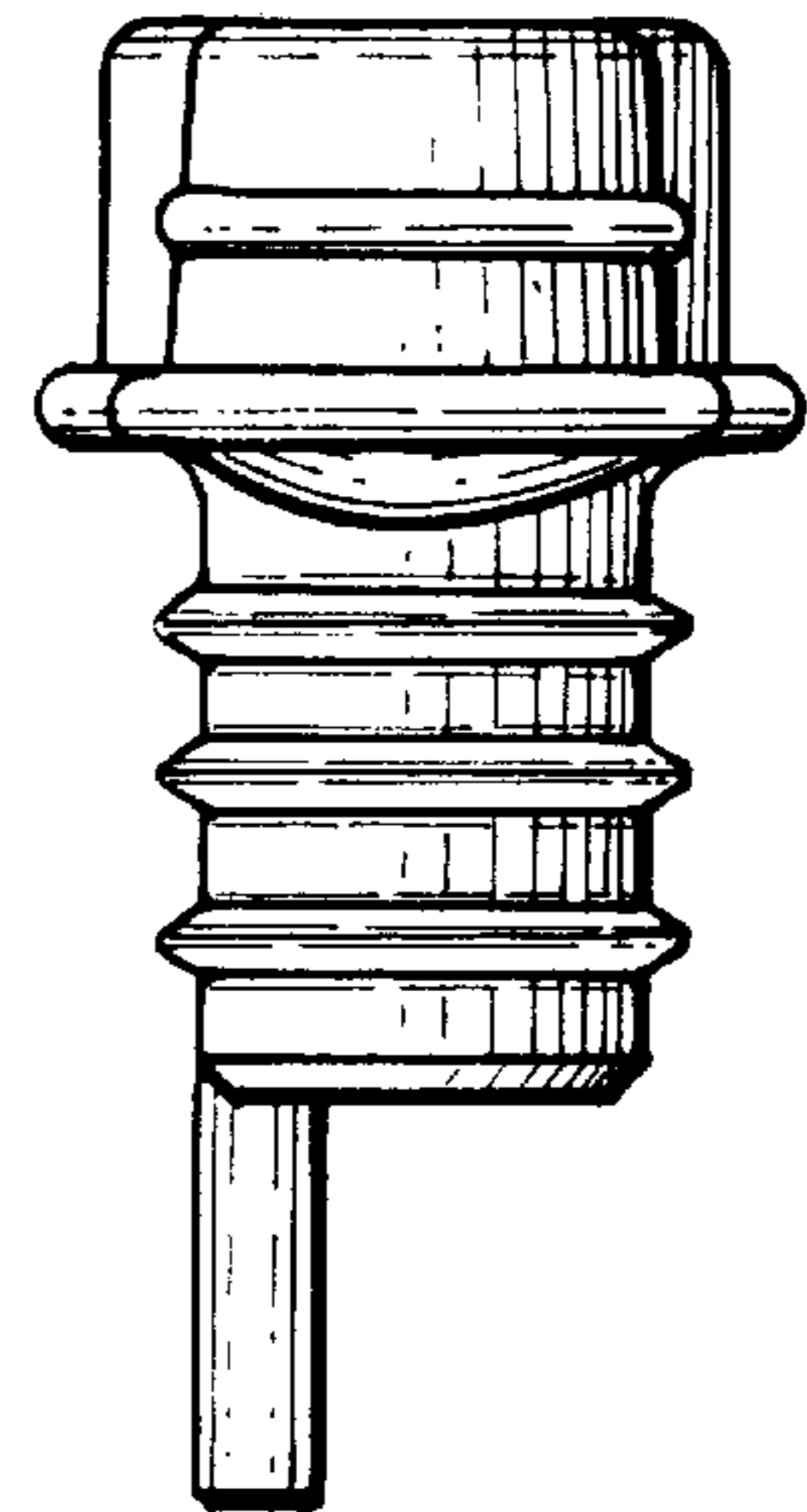


FIG. 7

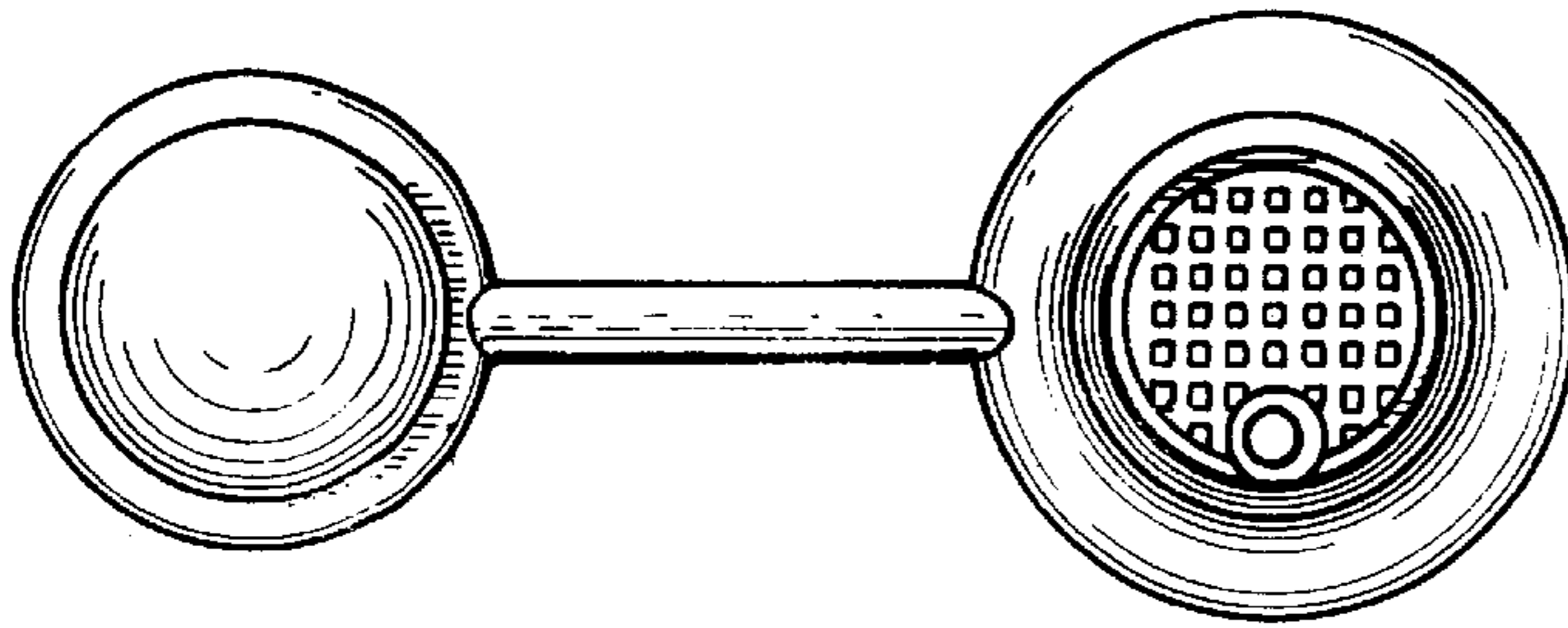


FIG. 8

