



US00D437781S

(12) **United States Design Patent**  
**Beaver et al.**

(10) **Patent No.:** **US D437,781 S**

(45) **Date of Patent:** **\*\* Feb. 20, 2001**

(54) **TWO-PART BOTTLE SEAL**

4,911,315 \* 3/1990 Shrum ..... 215/229

(75) Inventors: **Larry Gene Beaver**, Lake Park, GA  
(US); **Mark T. Maclean-Blevins**,  
Westminster, MD (US)

(73) Assignee: **Griffin LLC**, Valdosta, GA (US)

(\*\*) Term: **14 Years**

(21) Appl. No.: **29/111,586**

(22) Filed: **Sep. 30, 1999**

(51) **LOC (7) Cl.** ..... **09-07**

(52) **U.S. Cl.** ..... **D9/434**

(58) **Field of Search** ..... D7/300.2; D9/347,  
D9/424, 434, 436, 439, 440, 447, 448;  
D23/224, 225; 215/229; 222/182; 239/33,  
310

(56) **References Cited**

**U.S. PATENT DOCUMENTS**

- D. 200,364 \* 2/1965 Brody ..... D9/447
- D. 236,806 \* 9/1975 Kumai ..... D9/424
- D. 327,848 \* 7/1992 Hanover ..... D9/436
- D. 336,043 \* 6/1993 Provencio ..... D9/436
- D. 380,828 \* 7/1997 Franchi ..... D24/117
- D. 417,618 \* 12/1999 Shanklin et al. .... D9/448
- 4,462,544 \* 7/1984 Rutzel et al. .... 239/33

**OTHER PUBLICATIONS**

- U.S. application No. 09/236,142, filed Jan. 22, 1999.
- U.S. Design application No. 29/111,583, filed Sep. 30, 1999.
- U.S. Design application No. 29/112,165, filed Oct. 8, 1999.
- U.S. Design application No. 29/111,585, filed Sep. 30, 1999.
- U.S. Design application No. 29/111,584, filed Sep. 30, 1999.

\* cited by examiner

*Primary Examiner*—Robert M. Spear

(74) *Attorney, Agent, or Firm*—Kilpatrick Stockton LLP

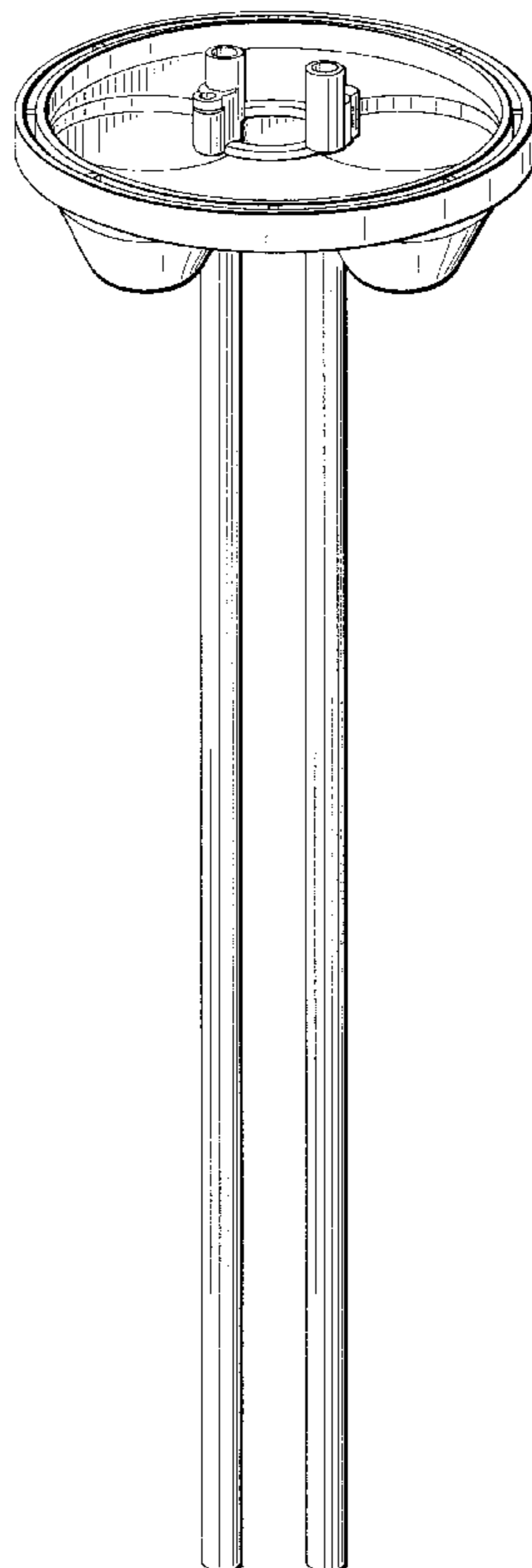
(57) **CLAIM**

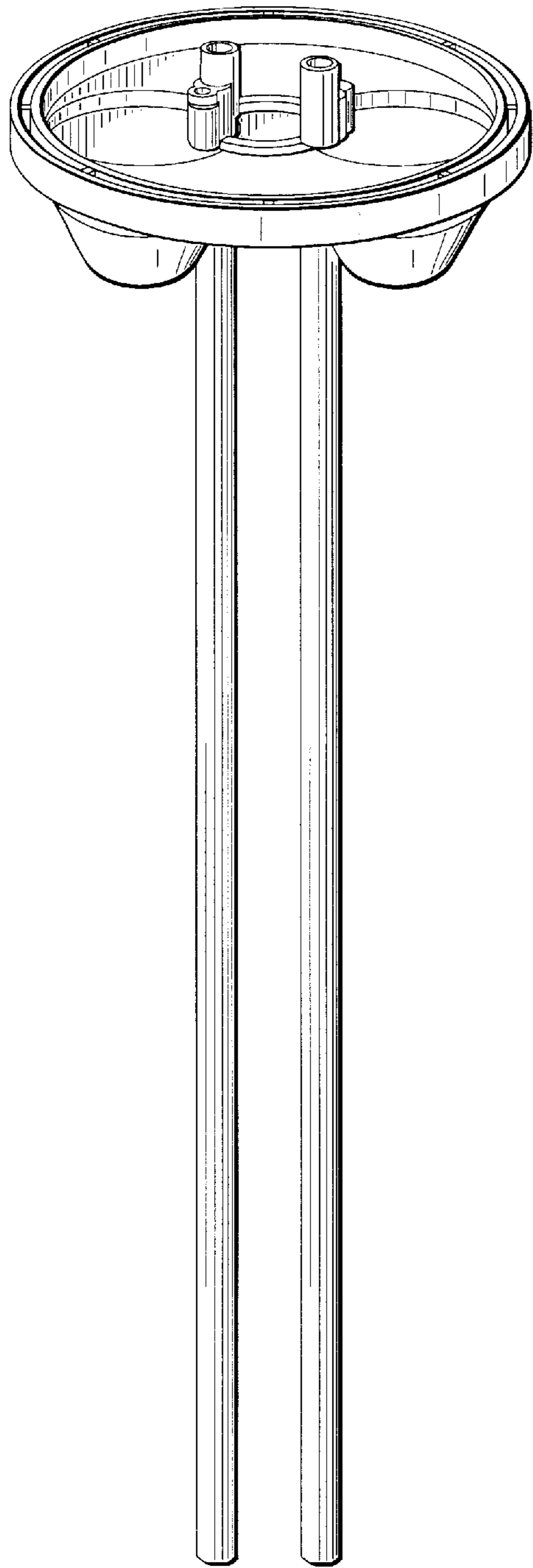
The ornamental design for a two-part bottle seal, as shown.

**DESCRIPTION**

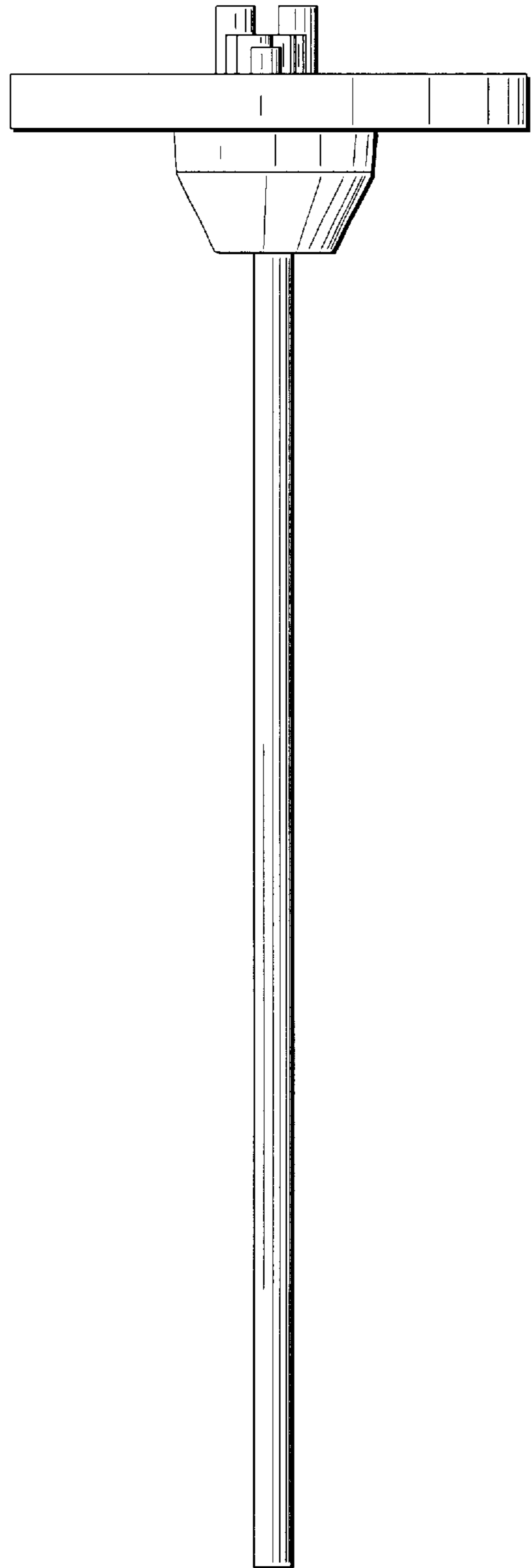
FIG. 1 is a perspective view of our new two-part bottle seal; FIG. 2 is a top plan view of the two-part bottle seal shown in FIG. 1; FIG. 3 is a bottom plan view of the two-part bottle seal shown in FIG. 1; FIG. 4 is a left side view of the two-part bottle seal shown in FIG. 1; and, FIG. 5 is a front view of the two-part bottle seal shown in FIG. 1.

**1 Claim, 2 Drawing Sheets**

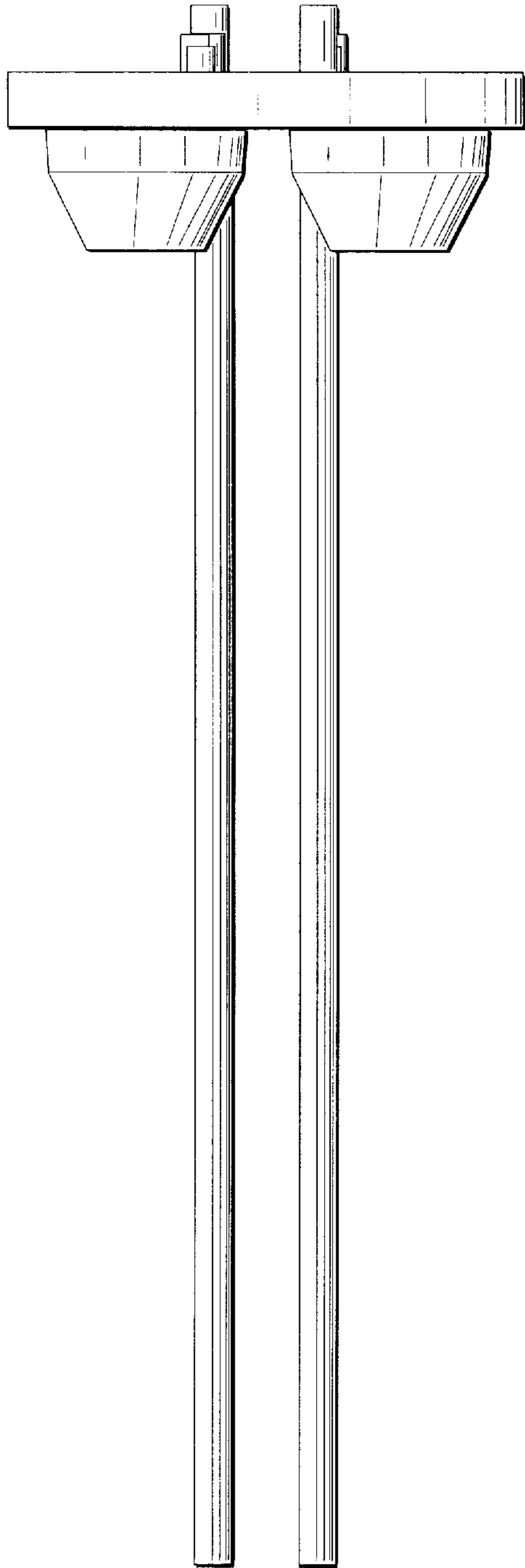




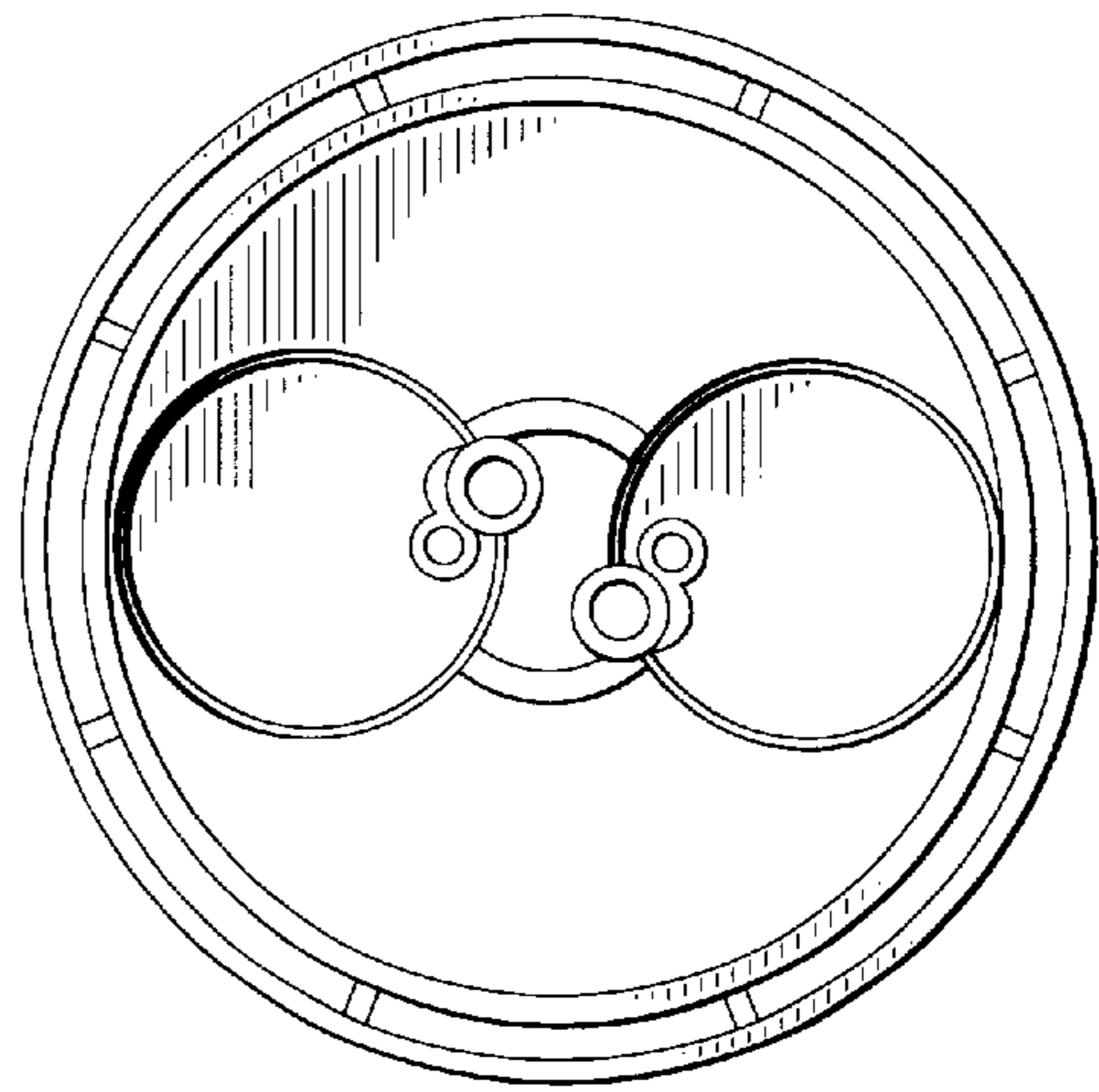
**FIG. 1**



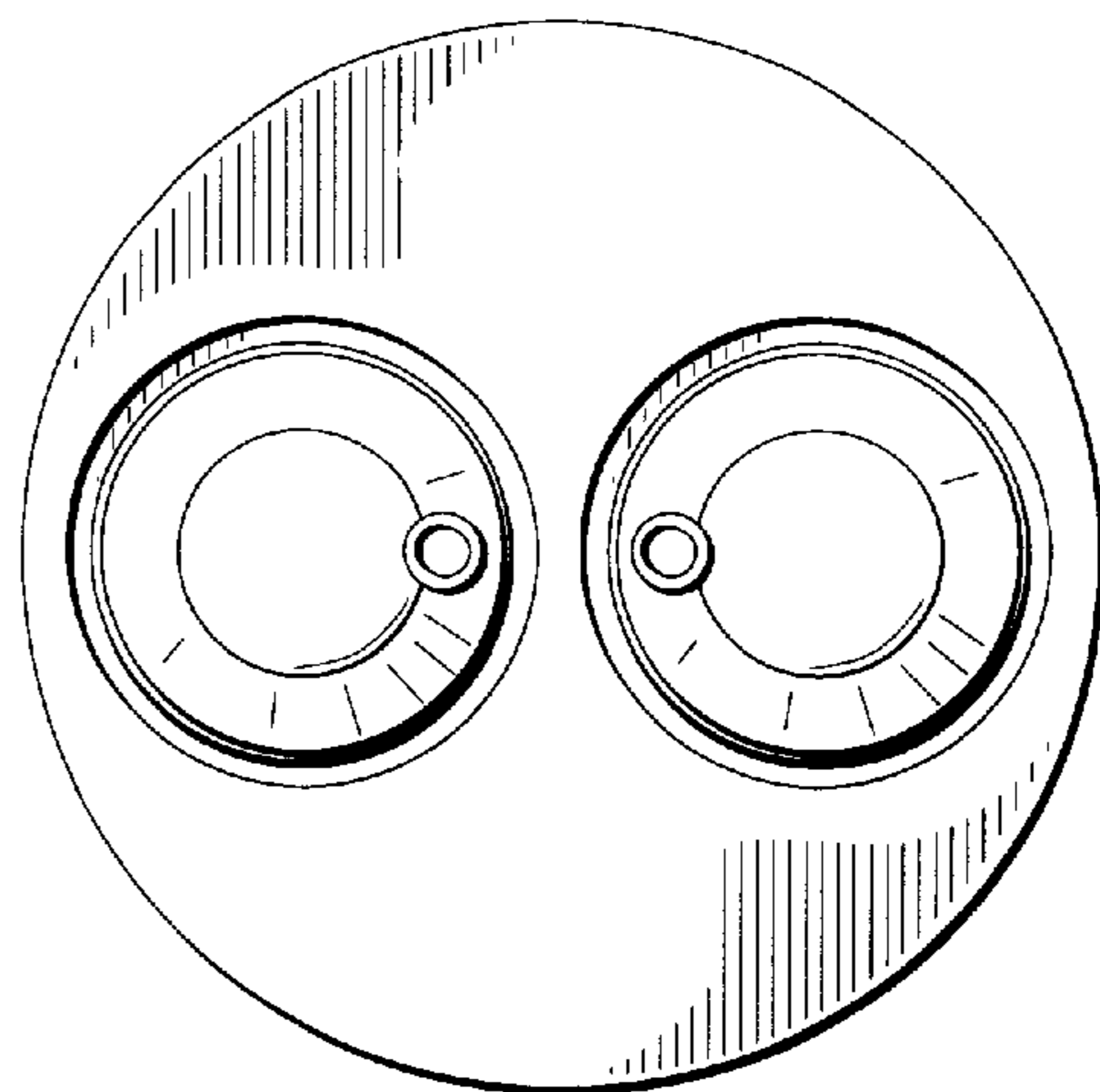
**FIG. 2**



**FIG. 3**



**FIG. 4**



**FIG. 5**