



US00D437776S

(12) **United States Design Patent**
Pullan

(10) **Patent No.:** **US D437,776 S**

(45) **Date of Patent:** **** Feb. 20, 2001**

(54) **DECORATIVE CONTAINER**

* cited by examiner

(76) Inventor: **Patricia A. Pullan**, 14214 Lark Ct.,
Clearwater, FL (US) 34622

Primary Examiner—Terry A. Wallace

(74) *Attorney, Agent, or Firm*—Frijouf, Rust & Pyle, P.A.

(**) Term: **14 Years**

(57) **CLAIM**

(21) Appl. No.: **29/109,007**

The ornamental design for decorative container, as shown and described.

(22) Filed: **Aug. 6, 1999**

DESCRIPTION

Related U.S. Application Data

(63) Continuation-in-part of application No. 29/072,261, filed on Jun. 13, 1997, now Pat. No. Des. 415,678.

(51) **LOC (7) Cl.** **09-03**

(52) **U.S. Cl.** **D9/329**

(58) **Field of Search** D9/305, 329; D27/100,
D27/101; 131/187; 206/457

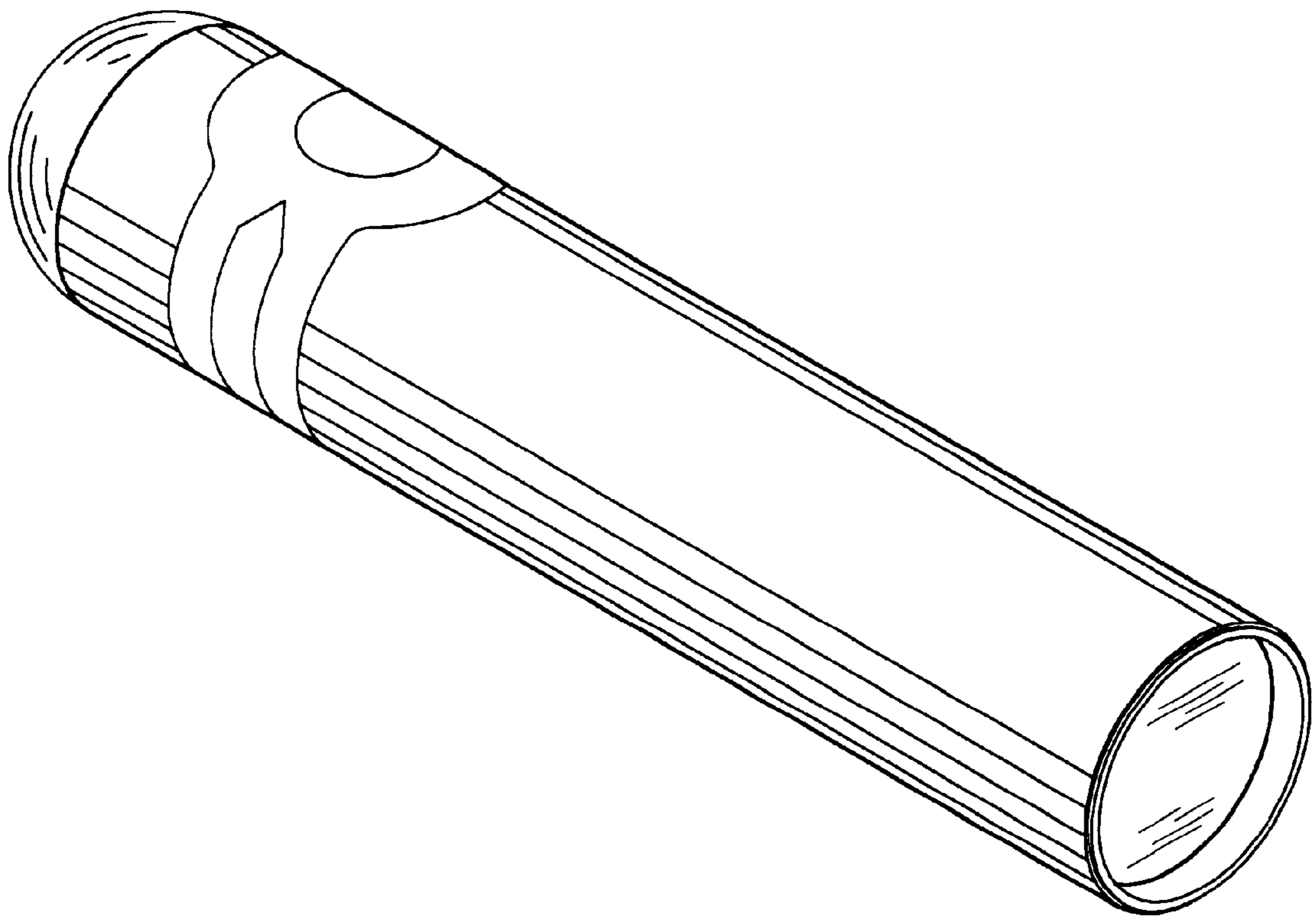
FIG. 1 is a perspective view of a decorative container showing my new design;
FIG. 2 is a front elevation view thereof;
FIG. 3 is a rear elevation view thereof;
FIG. 4 is a left side elevation view thereof;
FIG. 5 is a right side view thereof;
FIG. 6 is a bottom plan view thereof
FIG. 7 is a top plan view thereof
FIG. 8 is an exploded perspective view thereof;
FIG. 9 is a cross-section view taken along line 9—9 in FIG. 8; and,
FIG. 10 is a cross-section view taken along line 10—10 in FIG. 8.

(56) **References Cited**

U.S. PATENT DOCUMENTS

- | | | | | | |
|------------|---|---------|---------------------|-------|-----------|
| D. 237,807 | * | 11/1975 | Russell, Jr. et al. | | D27/188 |
| D. 240,541 | * | 7/1976 | Rupert | | D27/101 |
| D. 322,333 | * | 12/1991 | Raich | | D27/101 |
| 1,674,617 | * | 6/1928 | Benedictis | | D27/100 X |

1 Claim, 3 Drawing Sheets



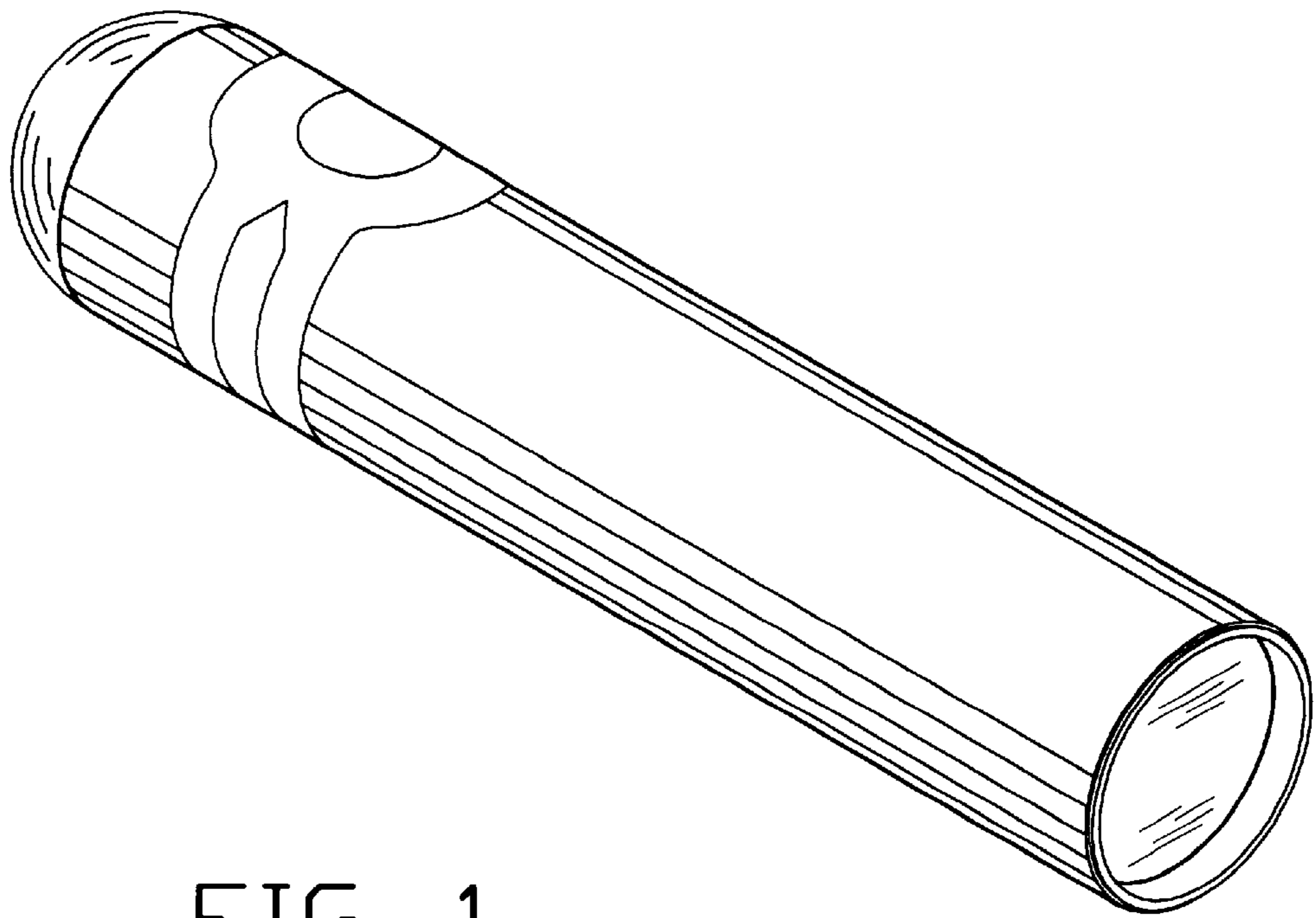


FIG. 1

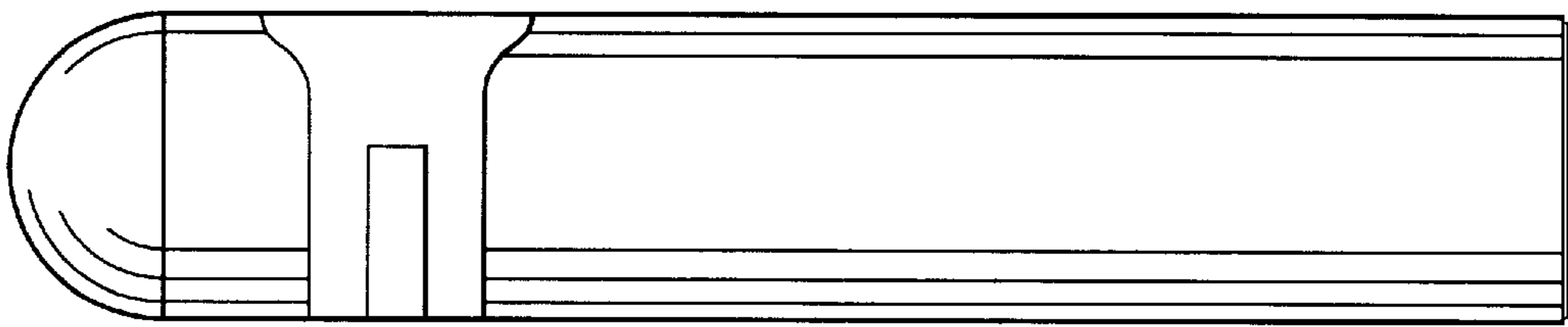


FIG. 2

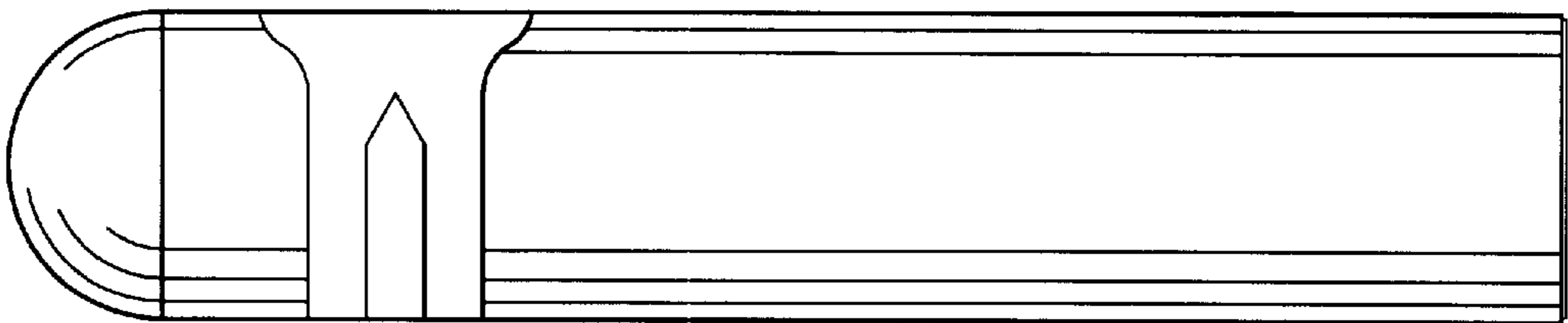


FIG. 3

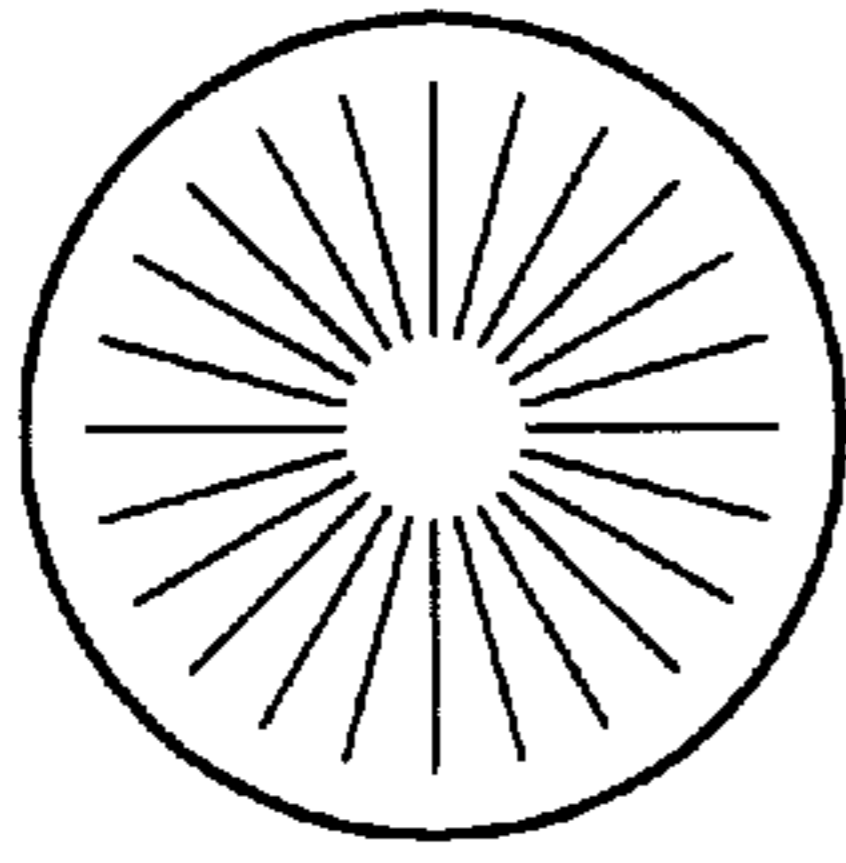


FIG. 4

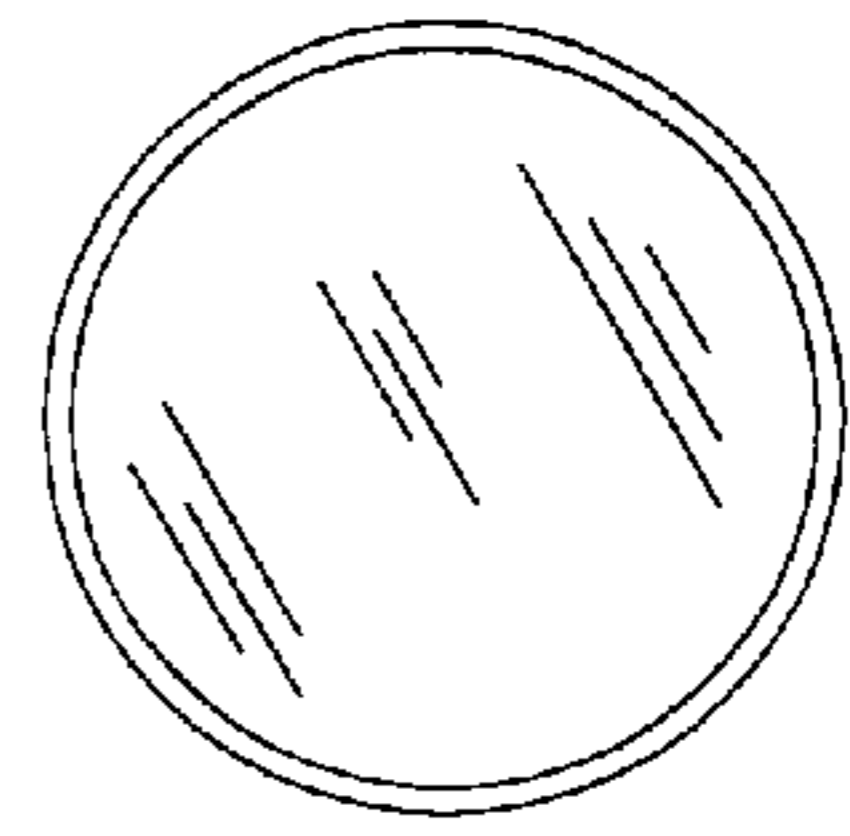


FIG. 5

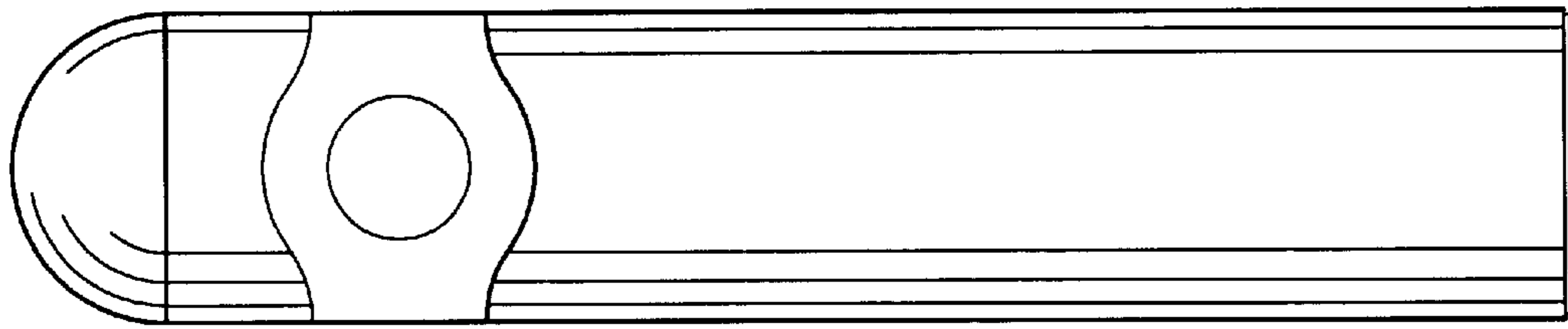


FIG. 6

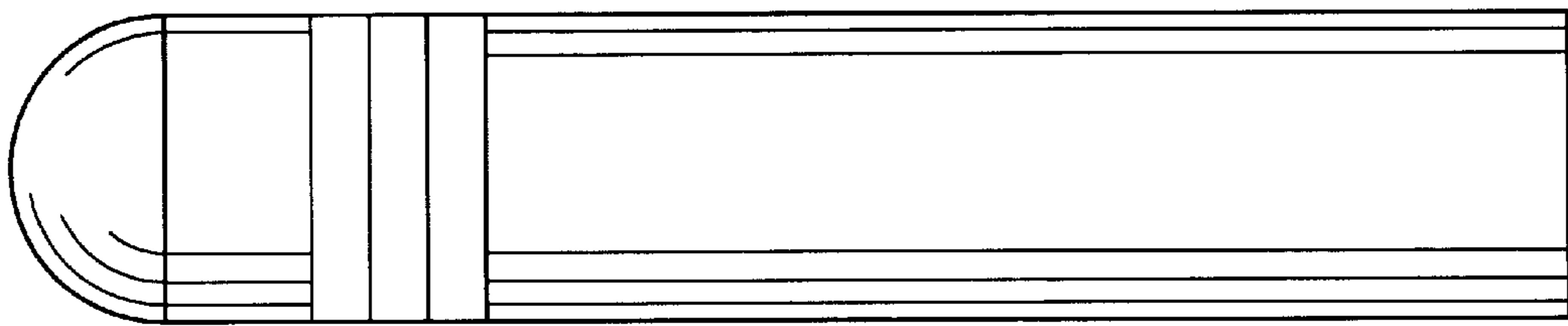


FIG. 7

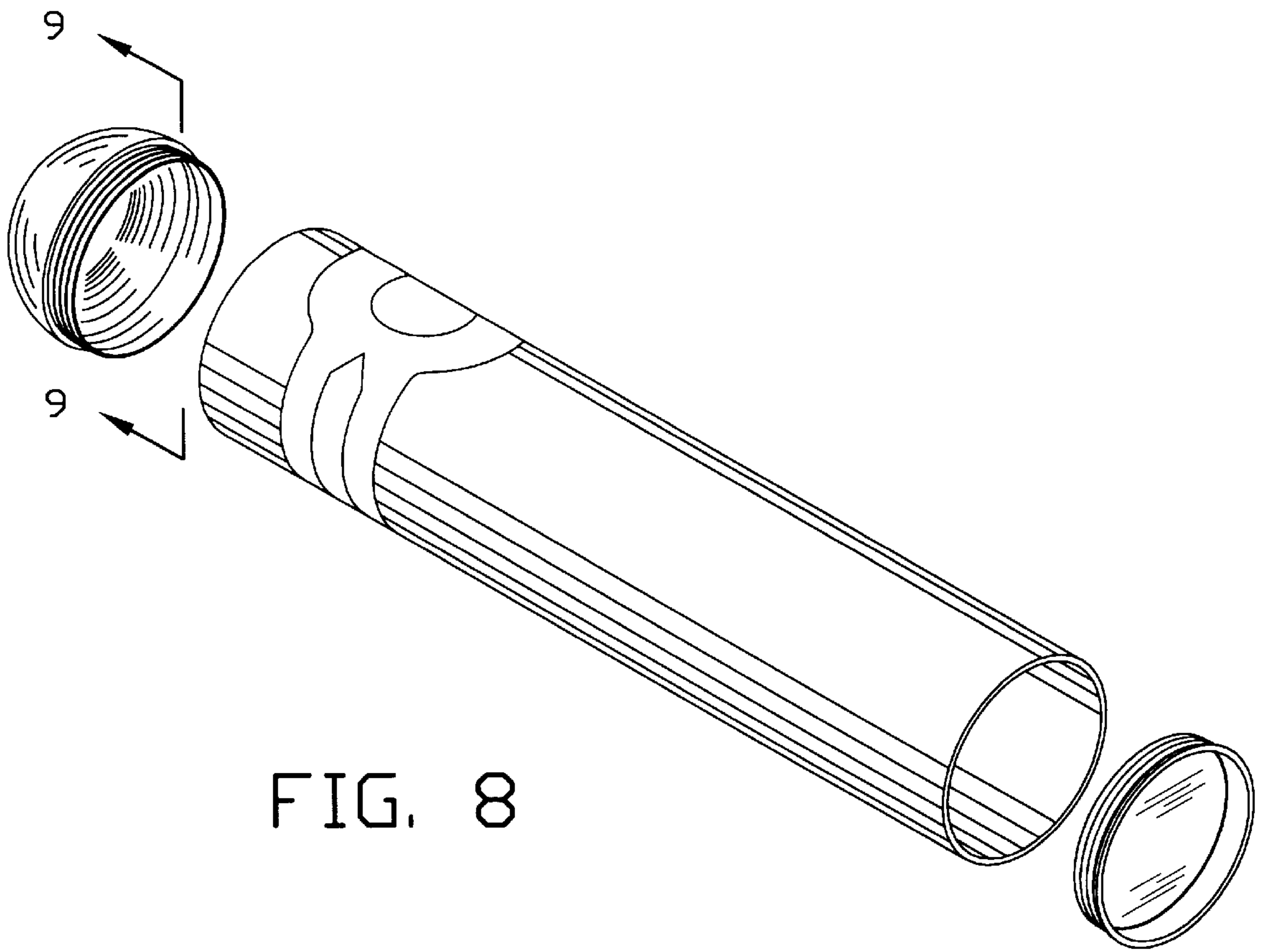


FIG. 8

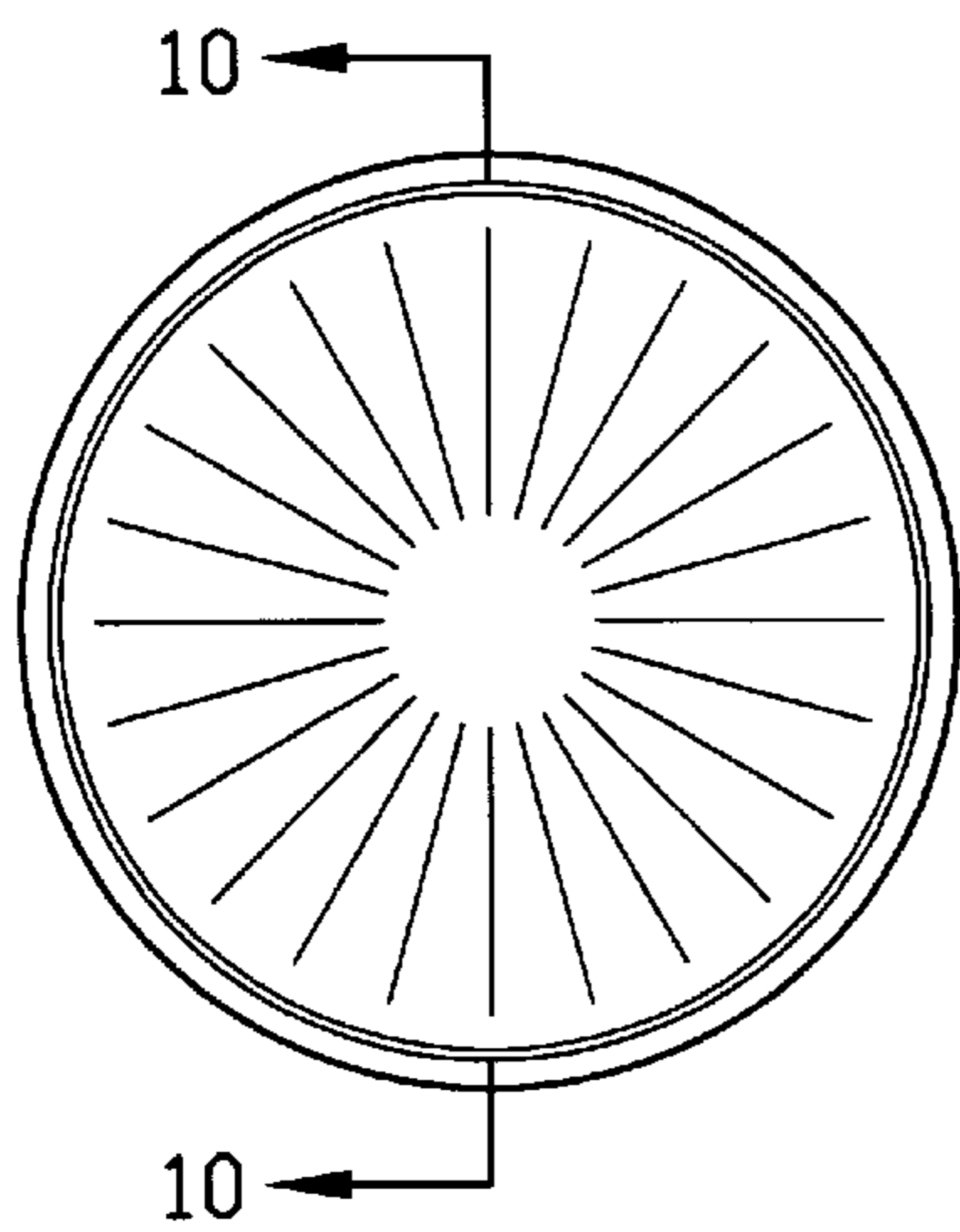


FIG. 9

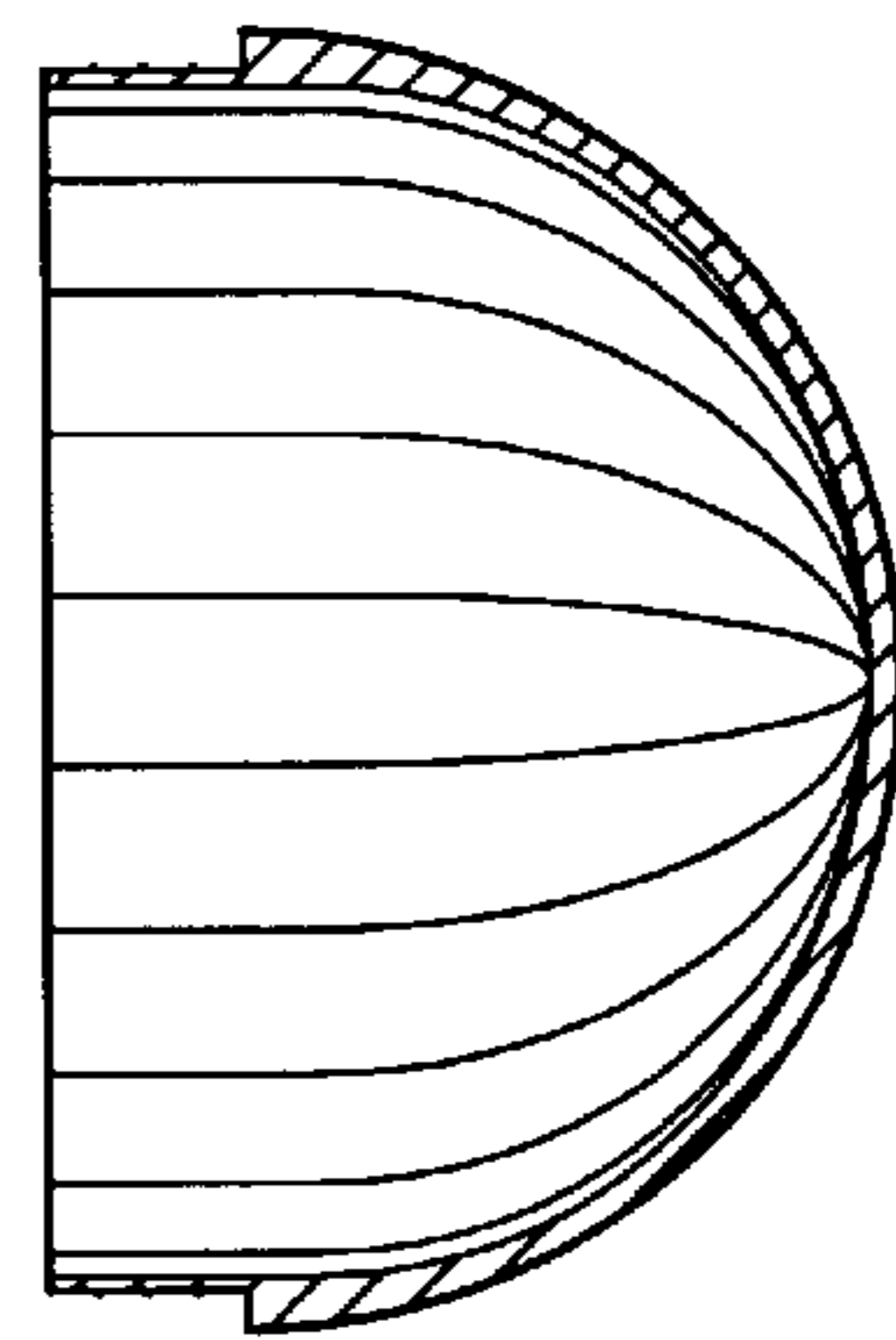


FIG. 10