



US00D43770S

(12) **United States Design Patent**
Garske et al.

(10) **Patent No.:** **US D437,770 S**

(45) **Date of Patent:** **** Feb. 20, 2001**

(54) **PORTABLE BASE**

5,809,930 9/1998 Brooks 116/174

(75) Inventors: **Stephen J. Garske**, Little Canada;
Thomas Illies, Andover, both of MN
(US)

(73) Assignee: **Par Aide Products Co.**, St. Paul, MN
(US)

(**) Term: **14 Years**

(21) Appl. No.: **29/095,479**

(22) Filed: **Oct. 23, 1998**

(51) **LOC (7) Cl.** **08-05**

(52) **U.S. Cl.** **D8/349**

(58) **Field of Search** D6/495; D8/354;
248/188.1, 188.3, 188.8, 346.01; D3/10

(56) **References Cited**

U.S. PATENT DOCUMENTS

D. 65,557	9/1924	Burlin	D6/495
D. 281,300	11/1985	Gluck	D6/495
D. 305,702	1/1990	Taliani et al.	D3/10
D. 350,041	8/1994	Schwarzli	D6/495
2,448,413	* 8/1948	Borghesi	248/188.1
2,849,202	8/1958	McCombs	248/44
2,875,968	3/1959	Ekola	248/48
3,119,588	1/1964	Keats	248/158
3,415,475	* 12/1968	Goodman	248/188.1
5,465,529	11/1995	Park	47/40.5
5,782,443	7/1998	LaFontaine	248/156

OTHER PUBLICATIONS

Bayco Industries, "Golf Course Accessories—Catalog (undated)", p. 24 Exh. "A".

EagleOne, "Golf Products", p. 18 (1999) Exhibit "C".

Lesco, "Golf Course Accessories Catalog (undated)", p. 5 Exhibit "D".

Par Aide Products, "1993 Catalog", p. 10 (1993) Exhibit "B".

* cited by examiner

Primary Examiner—Holly Baynham

(74) *Attorney, Agent, or Firm*—Schwegman, Lundberg, Woessner & Kluth, P.A

(57) **CLAIM**

The ornamental design for a portable base, as shown and described.

DESCRIPTION

FIG. 1 is a perspective view of a portable base, incorporating the new design.

FIG. 2 is a top plan of the portable base of FIG. 1.

FIG. 3 is a bottom plan of the portable base of FIG. 1.

FIG. 4 is a front elevation of the portable base of FIG. 1.

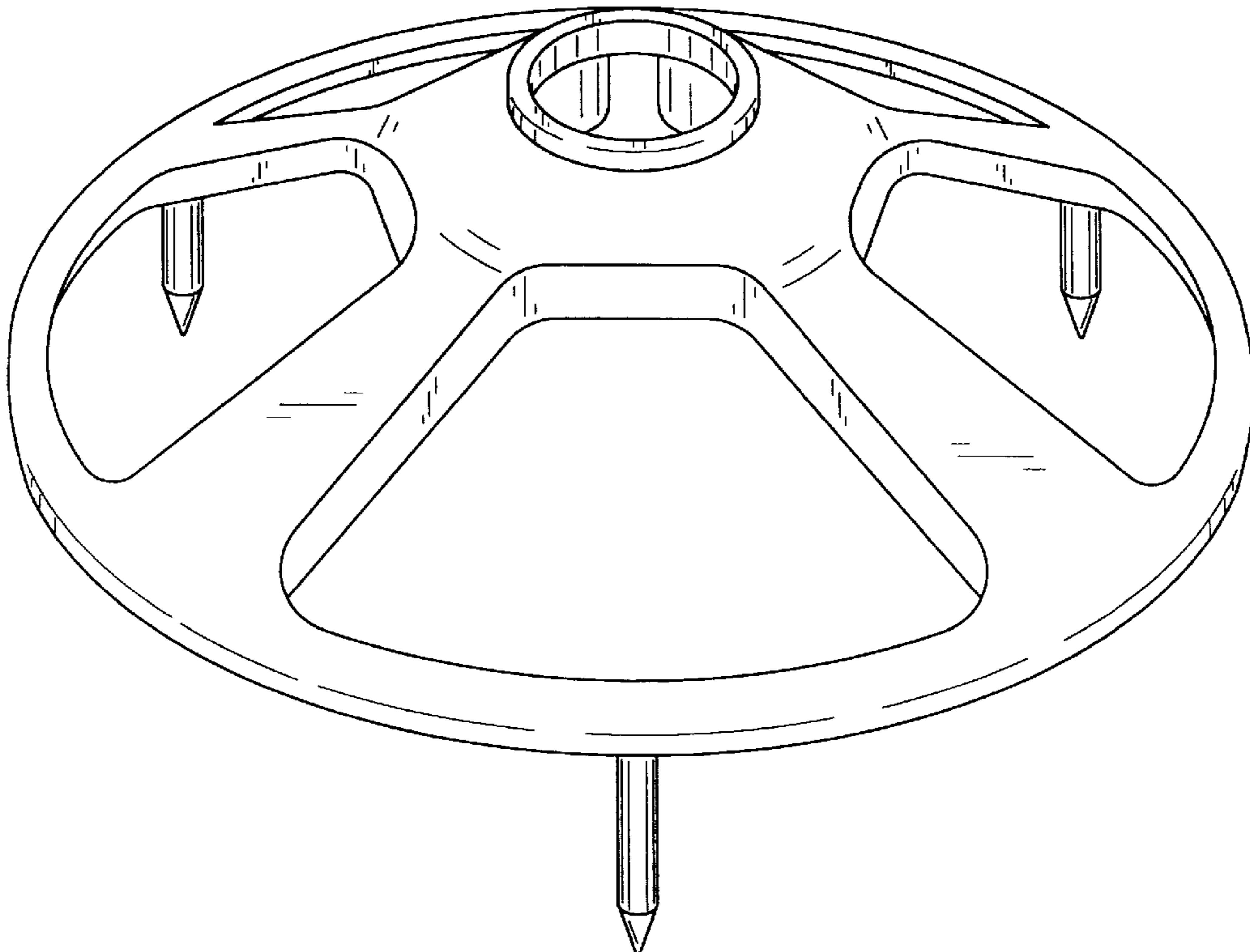
FIG. 5 is a rear elevation of the portable base of FIG. 1.

FIG. 6 is a left side elevation the portable base of FIG. 1;

and,

FIG. 7 is a right side elevation the portable base of FIG. 1.

1 Claim, 4 Drawing Sheets



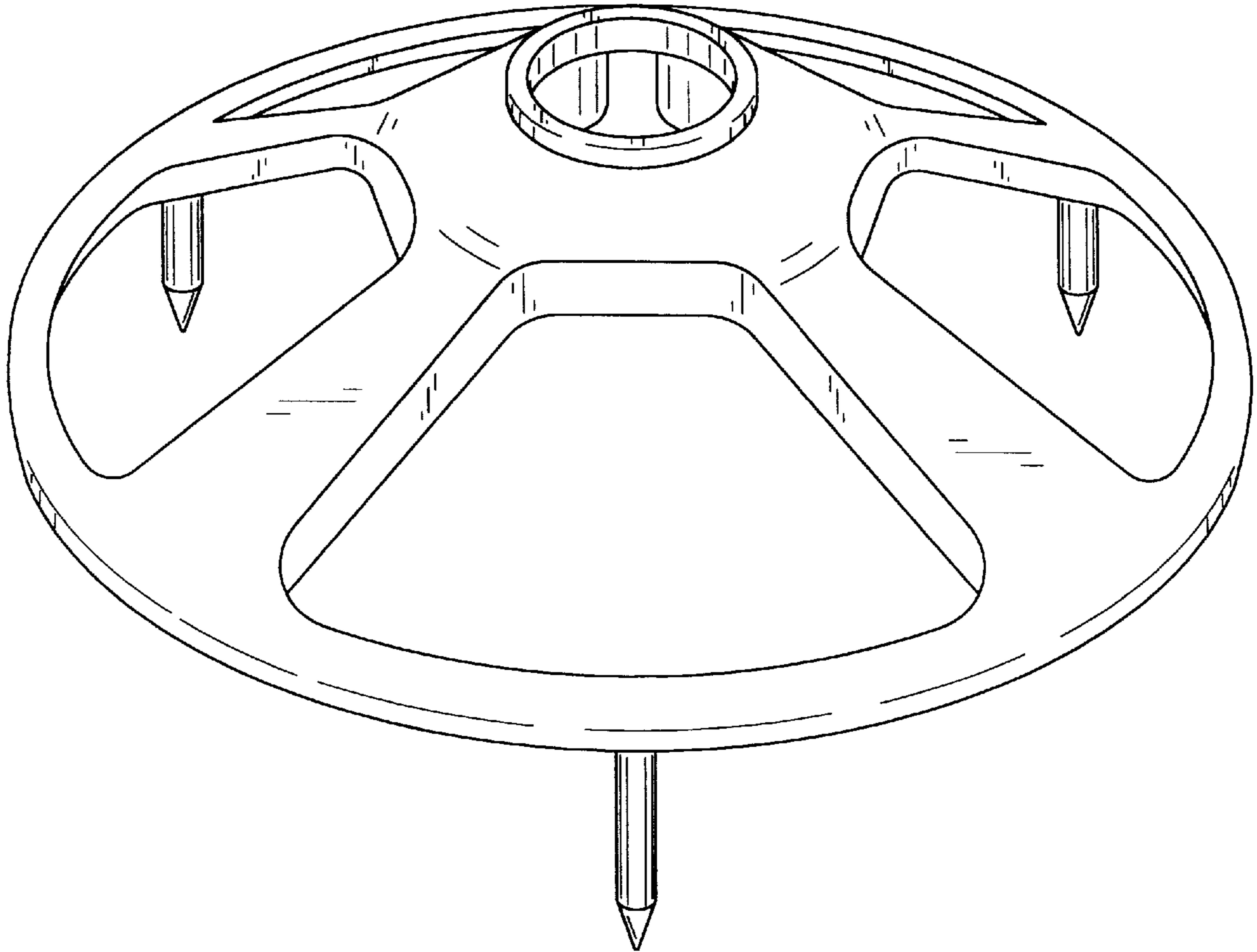


FIG. 1

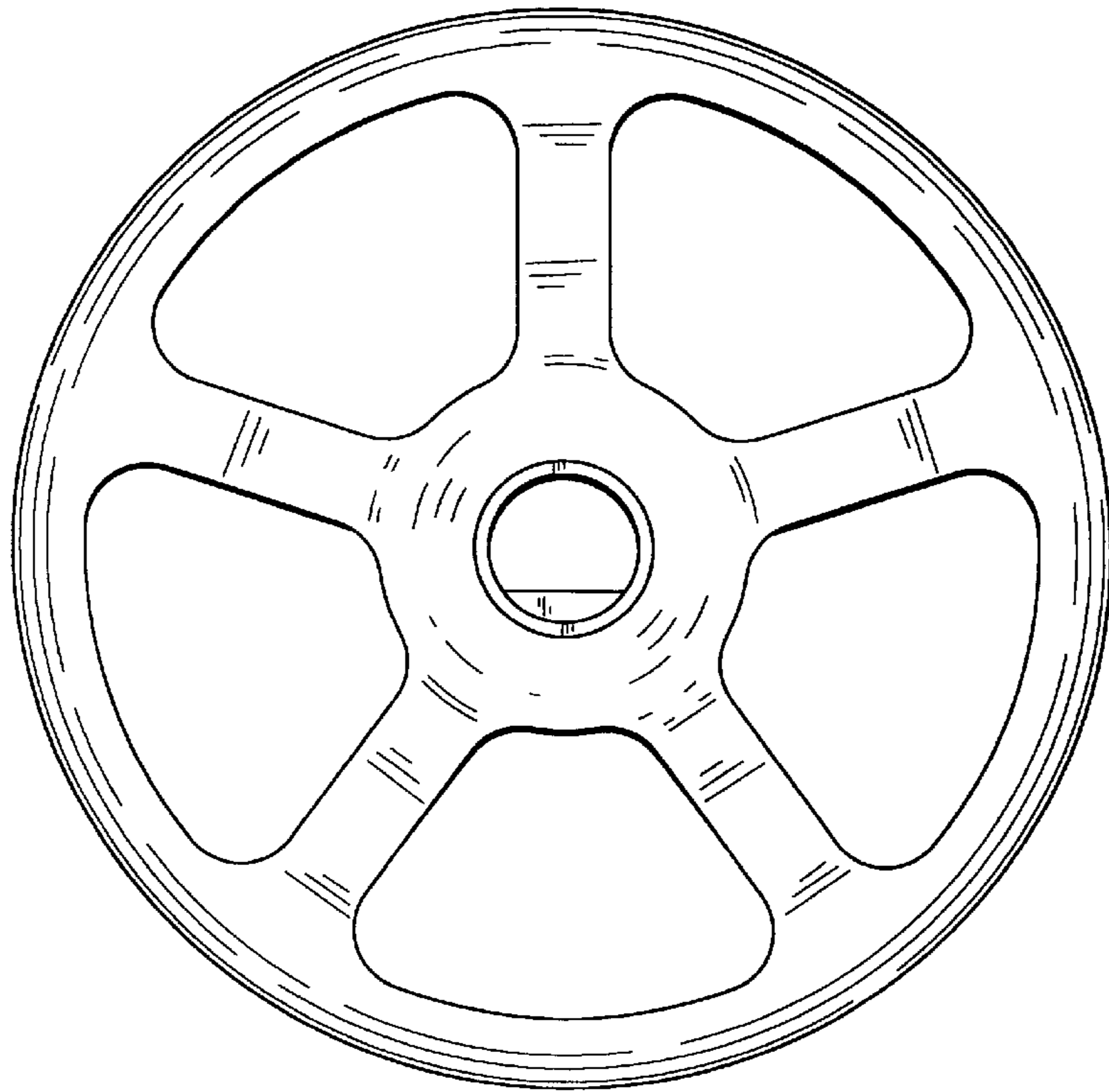


FIG. 2

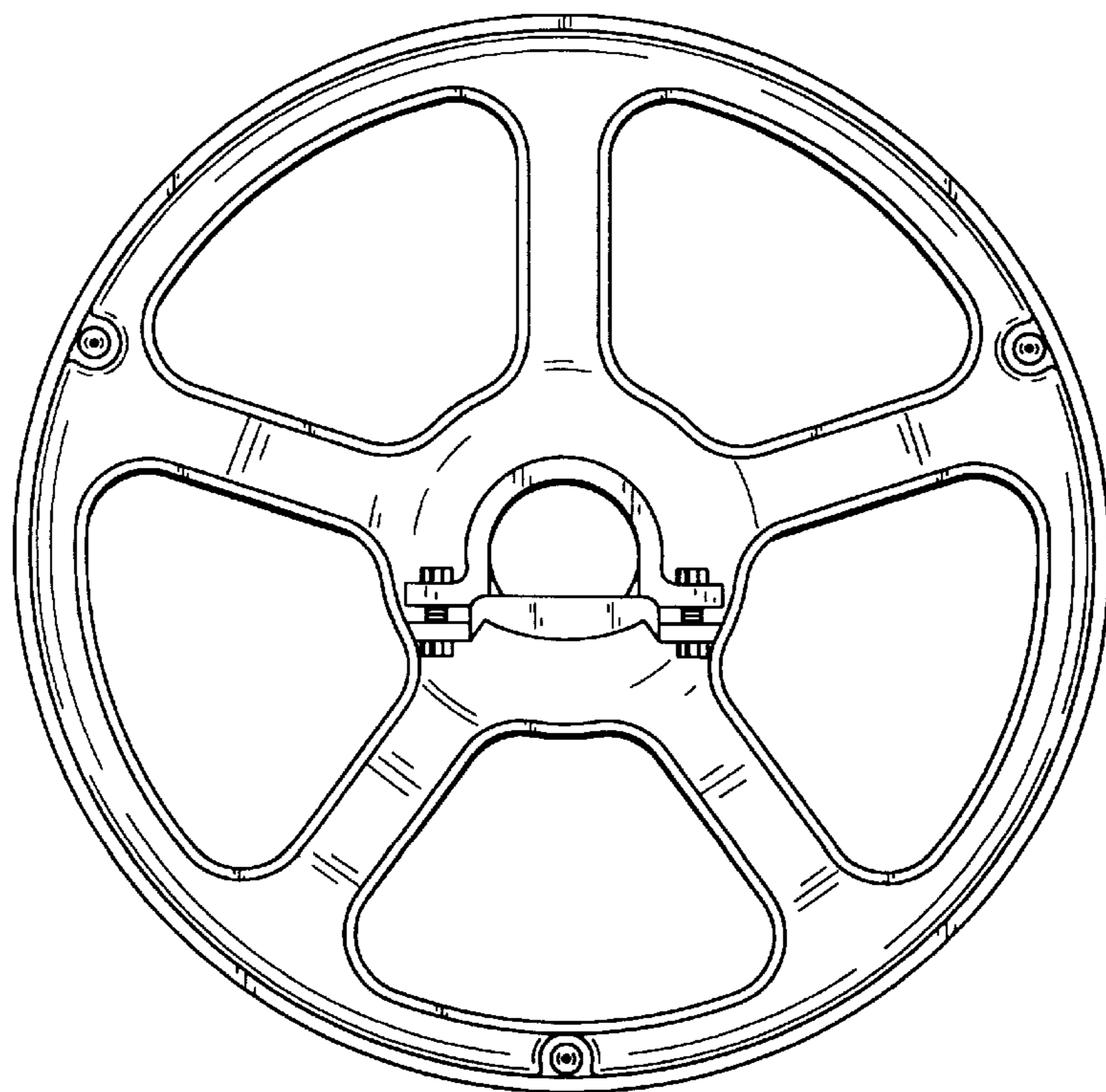


FIG. 3

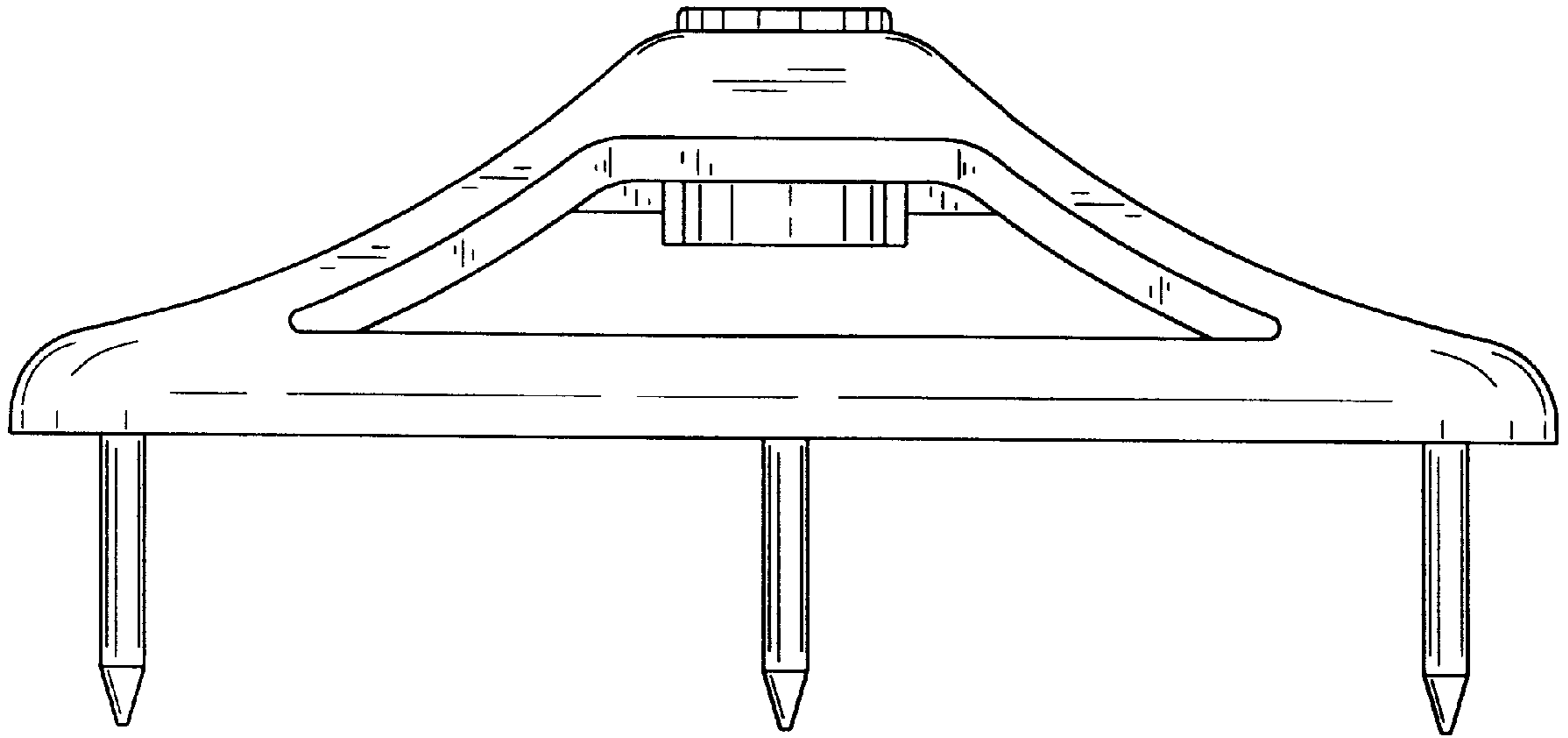


FIG. 4

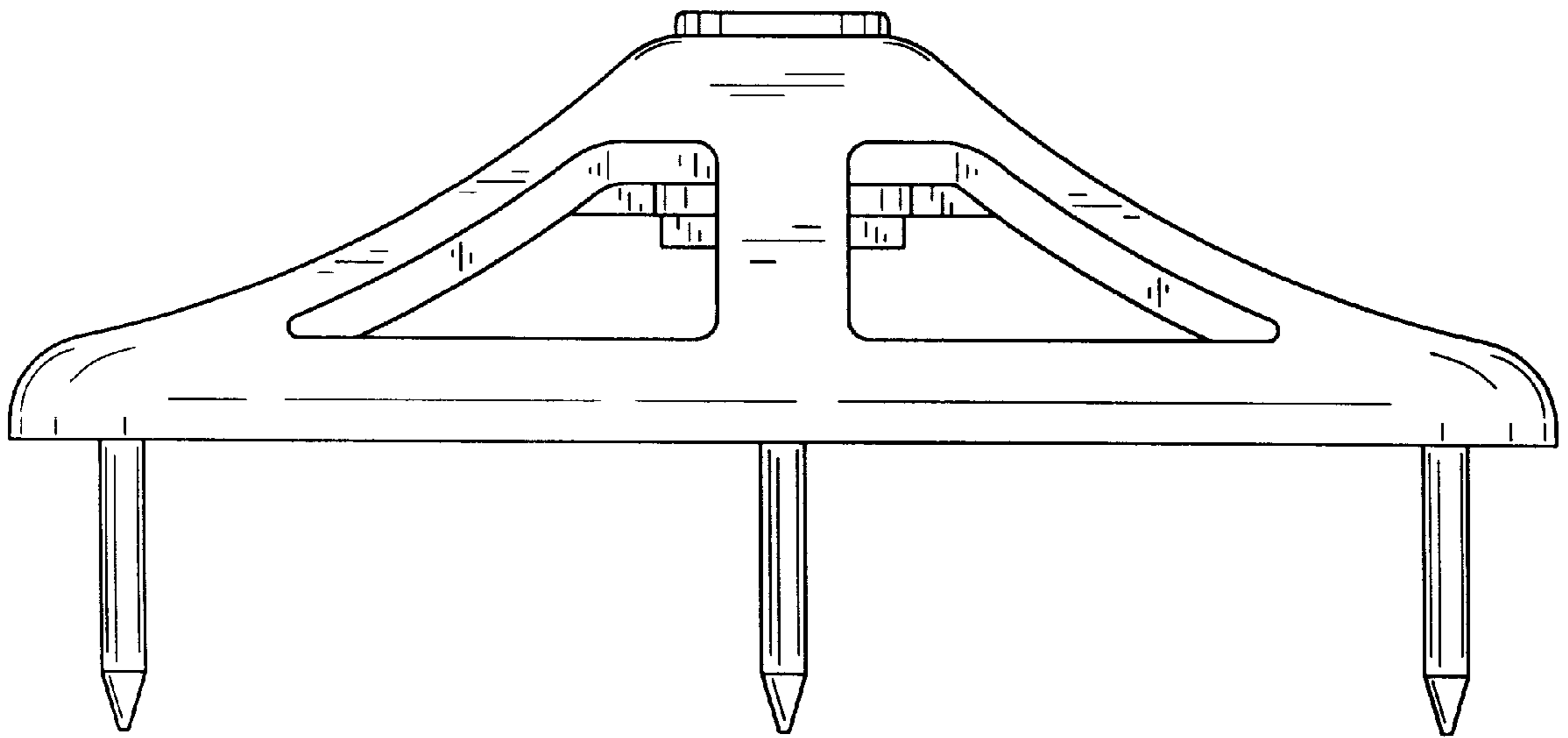


FIG. 5

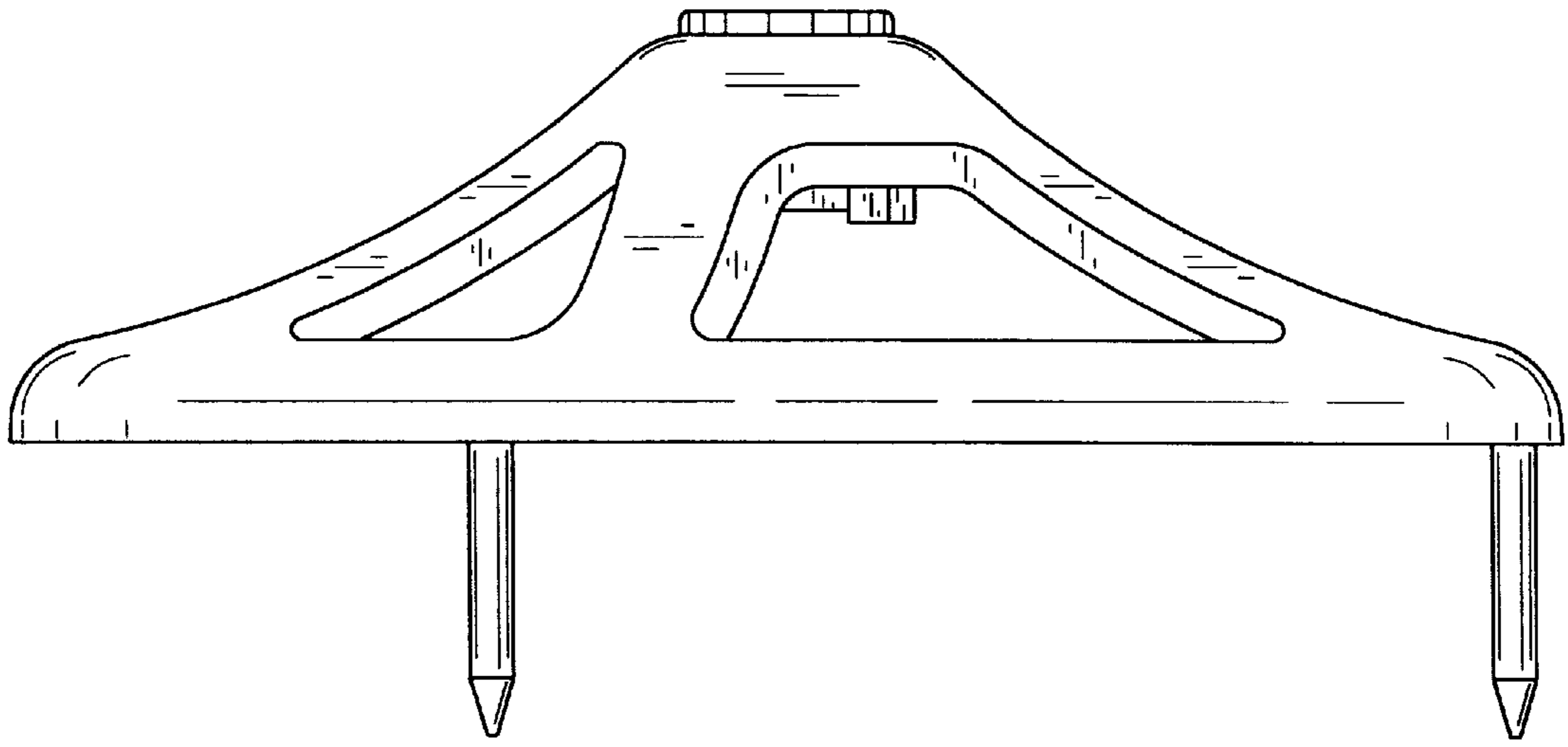


FIG. 6

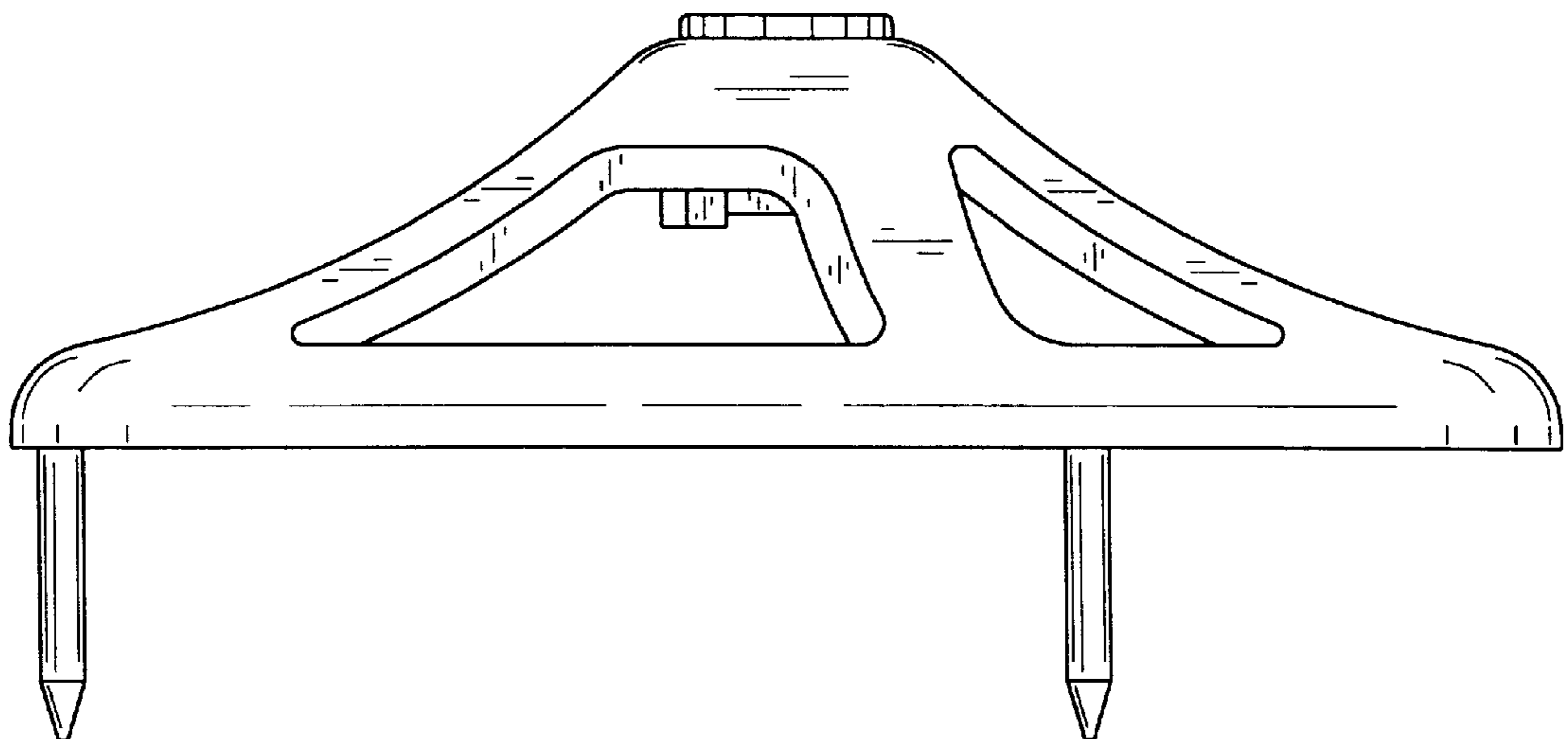


FIG. 7