



US00D437768S

(12) **United States Design Patent**
Grosz et al.

(10) **Patent No.:** **US D437,768 S**

(45) **Date of Patent:** **** Feb. 20, 2001**

(54) **LOCK**

2,957,355 * 10/1960 Perry 70/25

3,256,723 * 6/1966 Lehman 70/25

3,808,848 * 5/1974 Yang 70/21

(75) Inventors: **John W Grosz**, Waupun; **Mark A Gilbertson**, Sauk City, both of WI (US)

* cited by examiner

(73) Assignee: **Master Lock Company**, Milwaukee, WI (US)

Primary Examiner—Susan J. Lucas

Assistant Examiner—Jennifer Rivard

(**) Term: **14 Years**

(74) *Attorney, Agent, or Firm*—Pennie & Edmonds LLP

(21) Appl. No.: **29/109,223**

(57) **CLAIM**

(22) Filed: **Aug. 13, 1999**

The ornamental design for a lock, as shown and described.

(51) **LOC (7) Cl.** **08-07**

(52) **U.S. Cl.** **D8/334**

(58) **Field of Search** 70/20, 21, 24–29,
70/30, 50, 52, 49; D8/333, 334

DESCRIPTION

(56) **References Cited**

U.S. PATENT DOCUMENTS

D. 144,682 * 5/1946 Bouhall D8/334

D. 423,906 * 5/2000 Flegener et al. D8/334

613,065 * 10/1898 Hoube 70/25

1,777,424 * 10/1930 Atkins 70/26

1,924,987 * 8/1933 Furino 70/26

FIG. 1 is a front perspective view of the lock showing our new design;

FIG. 2 is a front view thereof;

FIG. 3 is a back view thereof;

FIG. 4 is a left end view thereof;

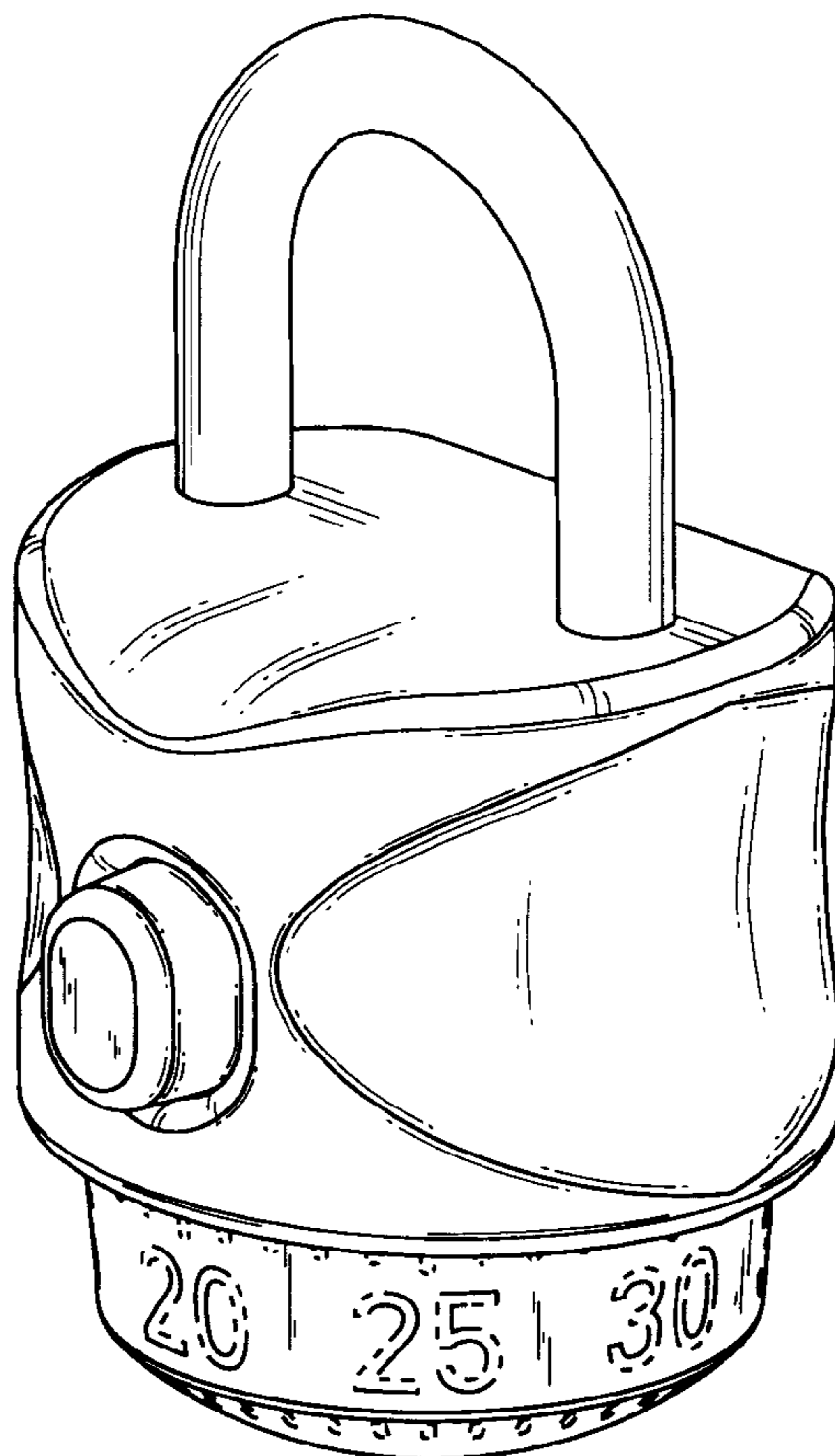
FIG. 5 is a right end view thereof;

FIG. 6 is a top view thereof; and,

FIG. 7 is a bottom view thereof.

The portions showing phantom lines are not part of the claimed invention, but are included to show environment.

1 Claim, 2 Drawing Sheets



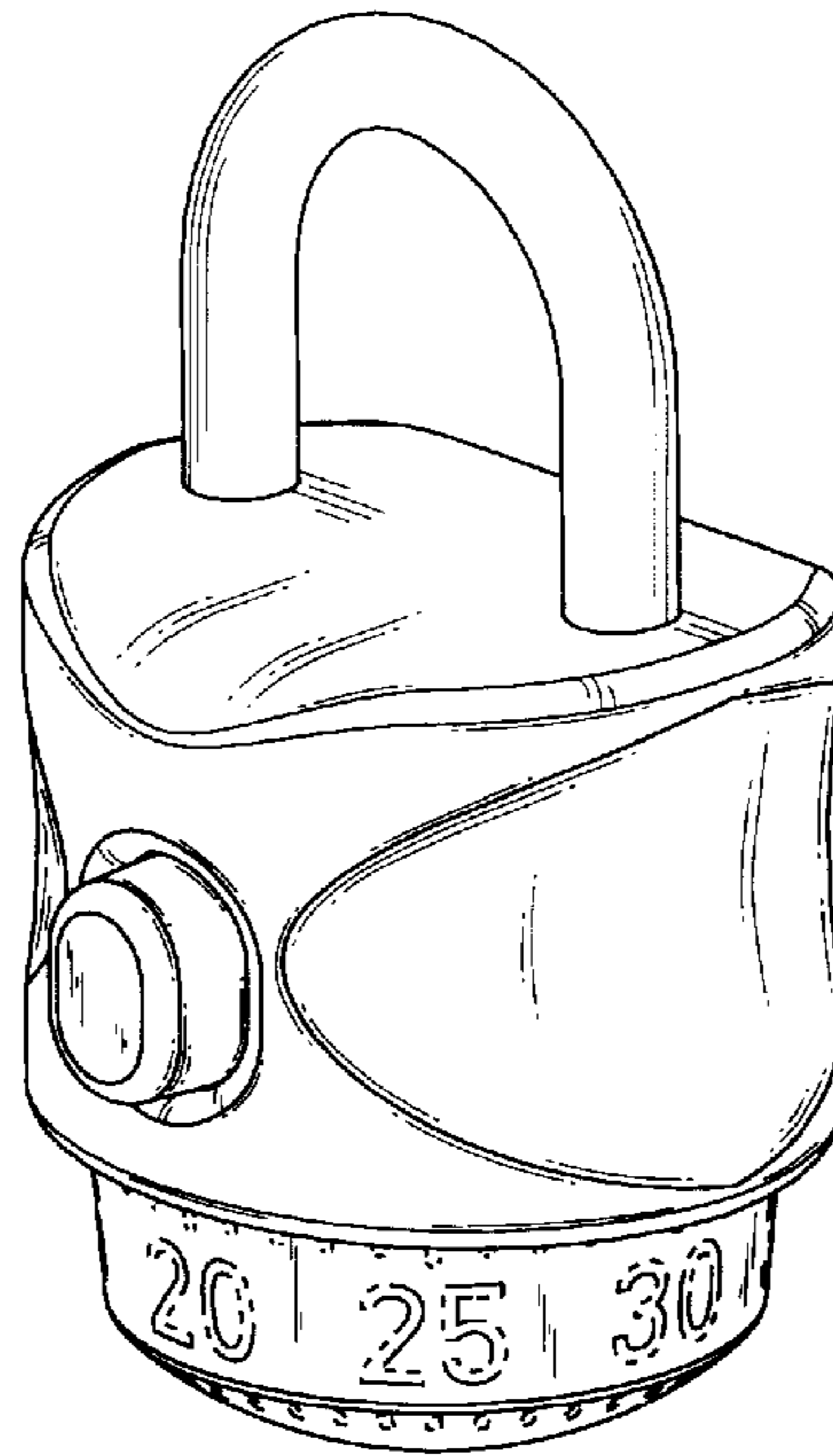


Fig. 1

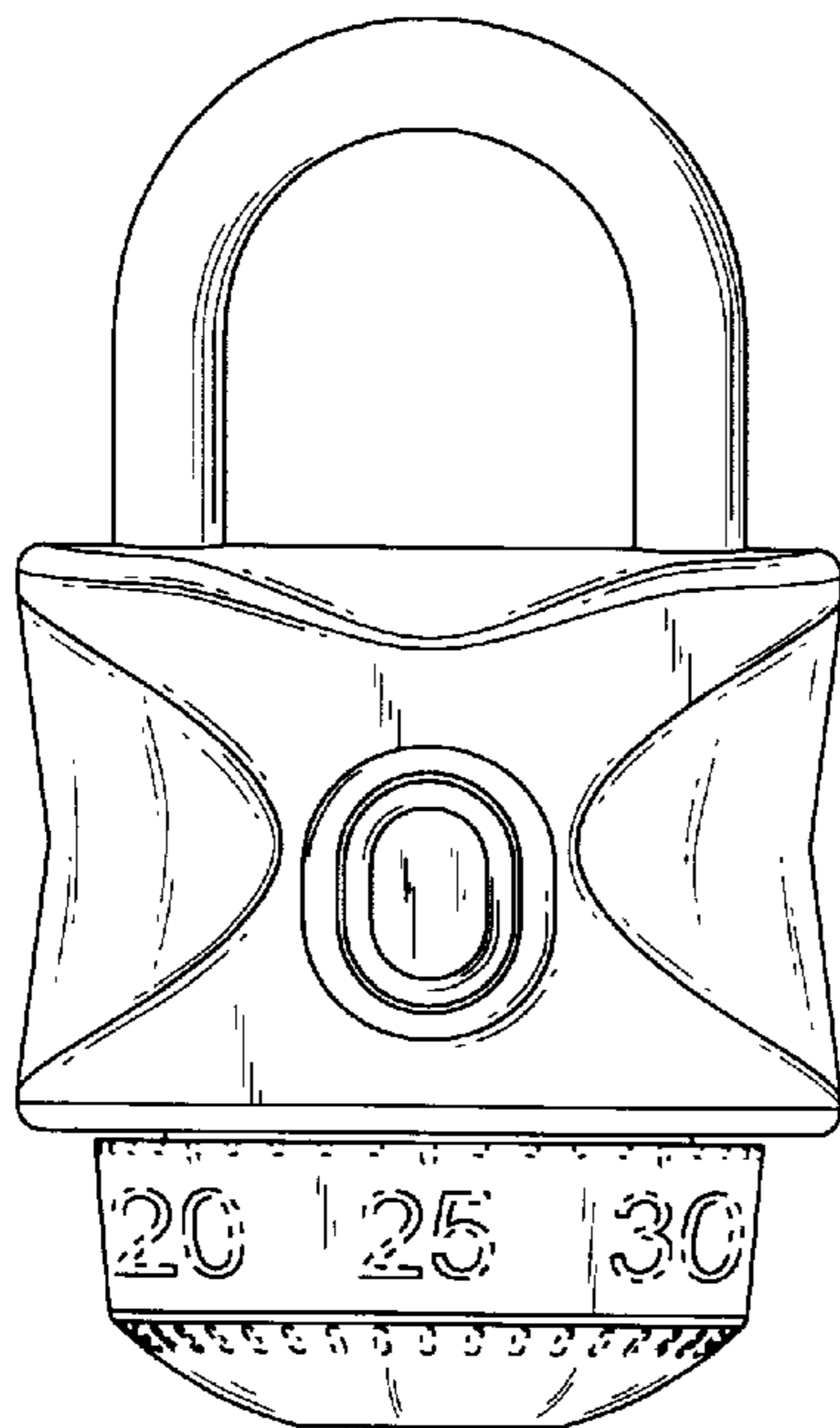


Fig. 2

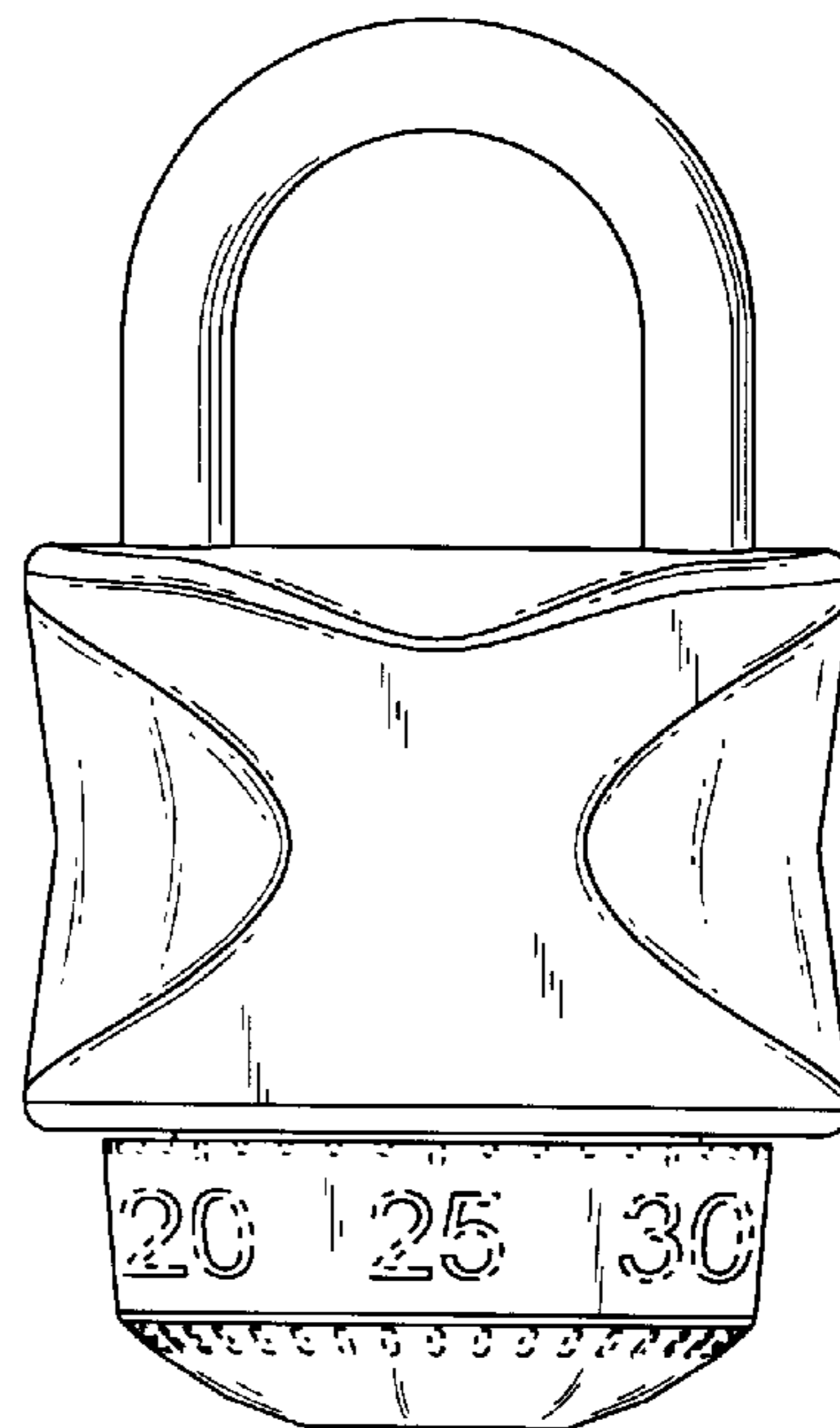


Fig. 3

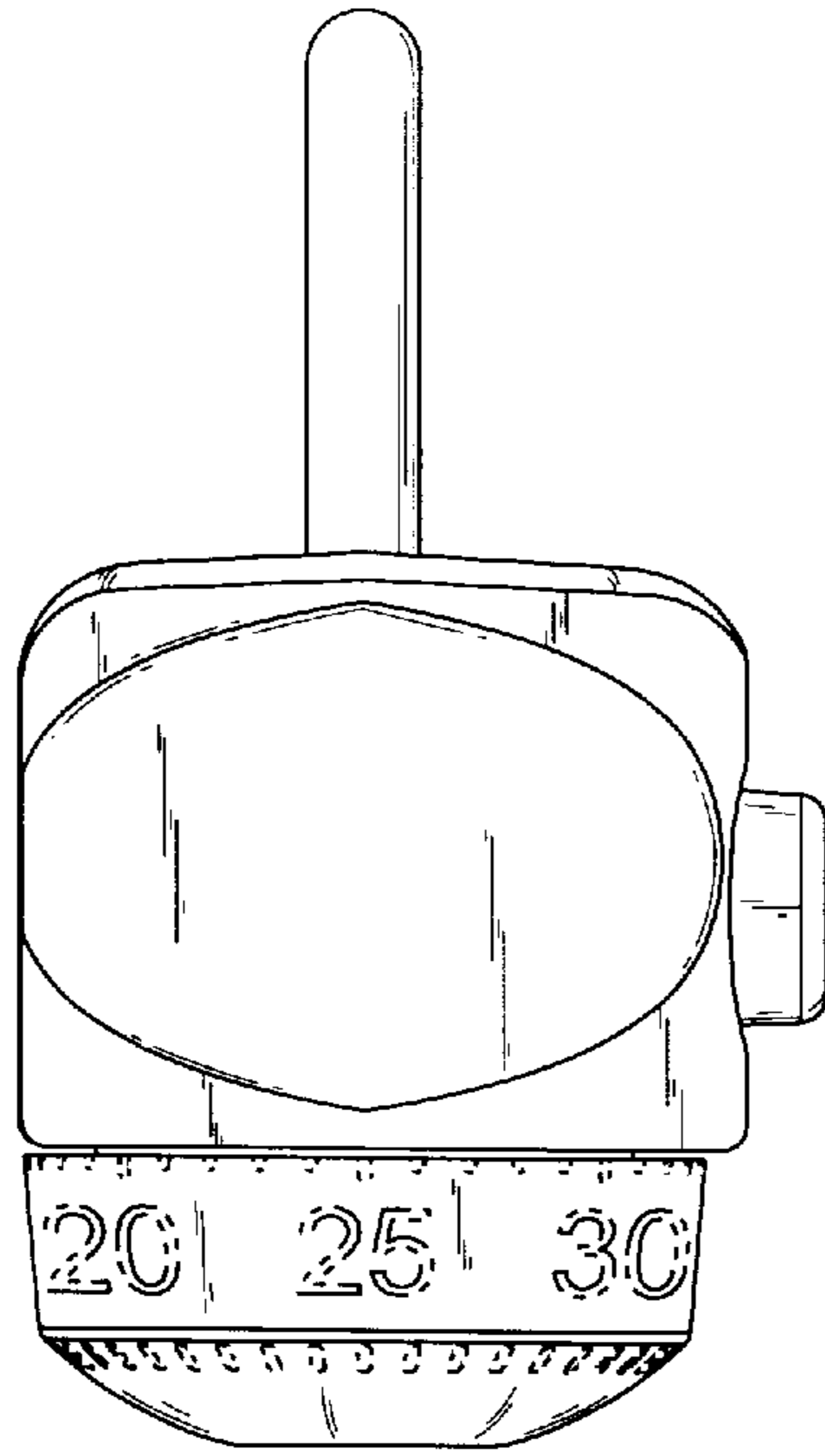


Fig. 4

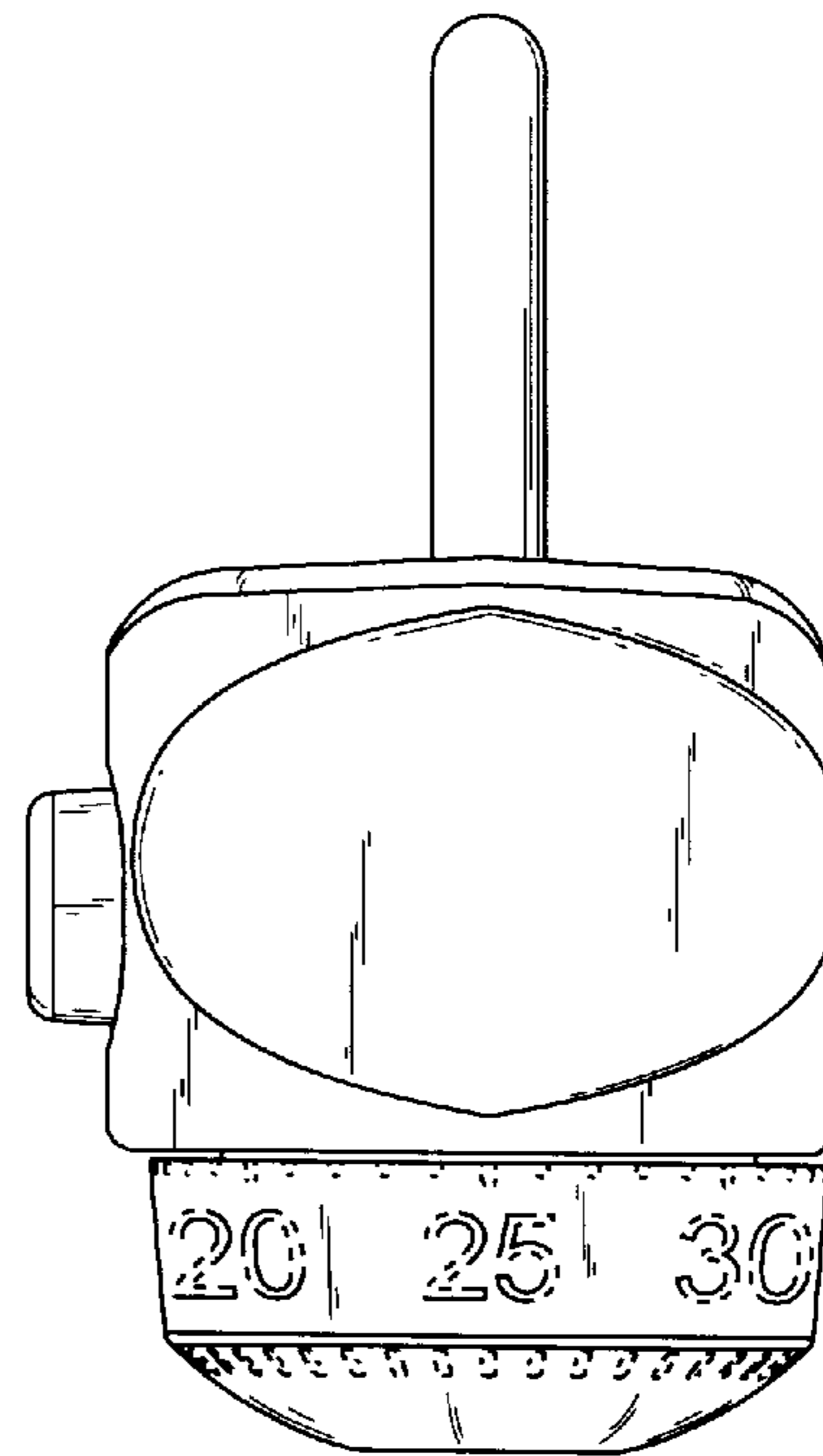


Fig. 5

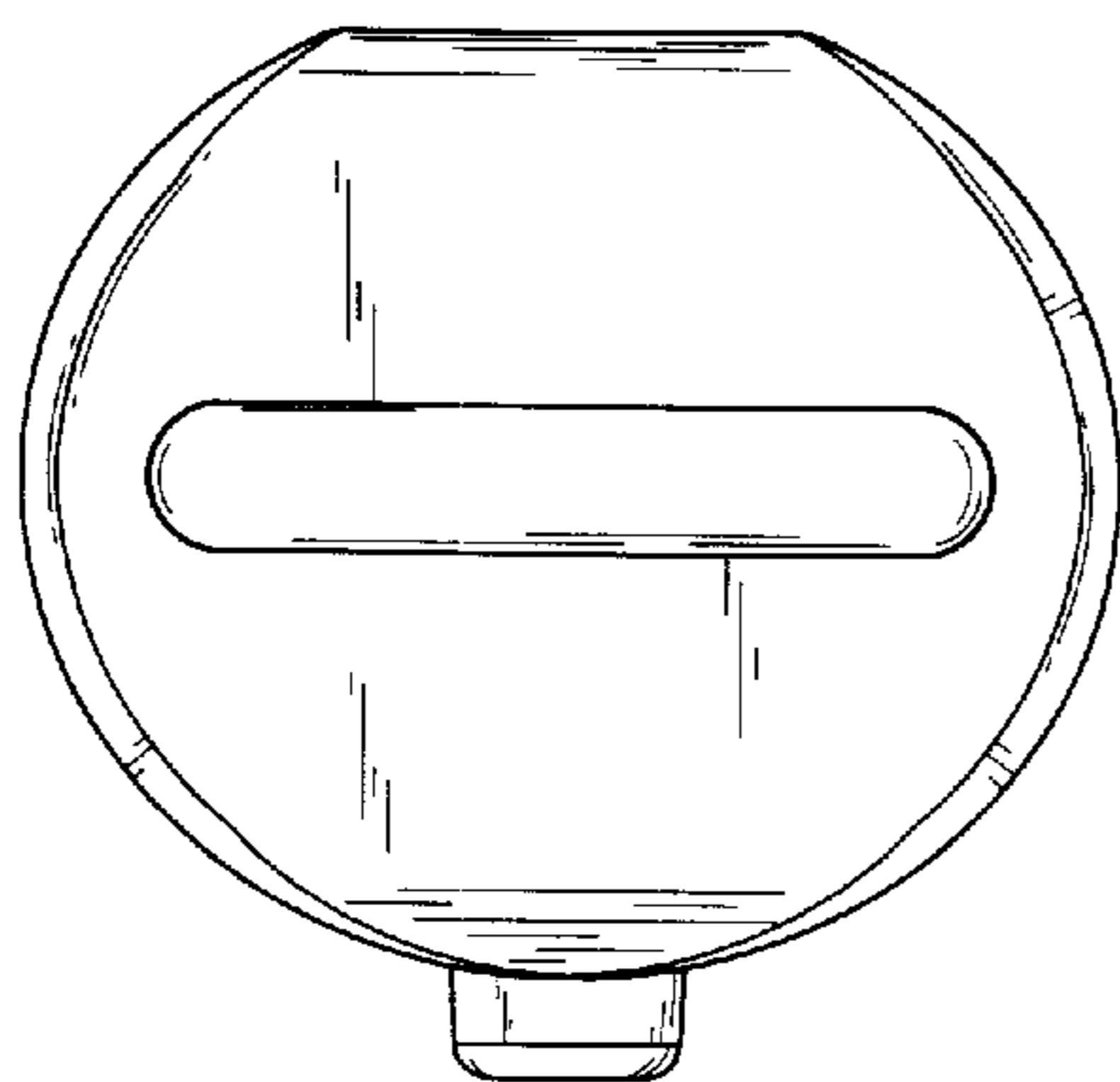


Fig. 6

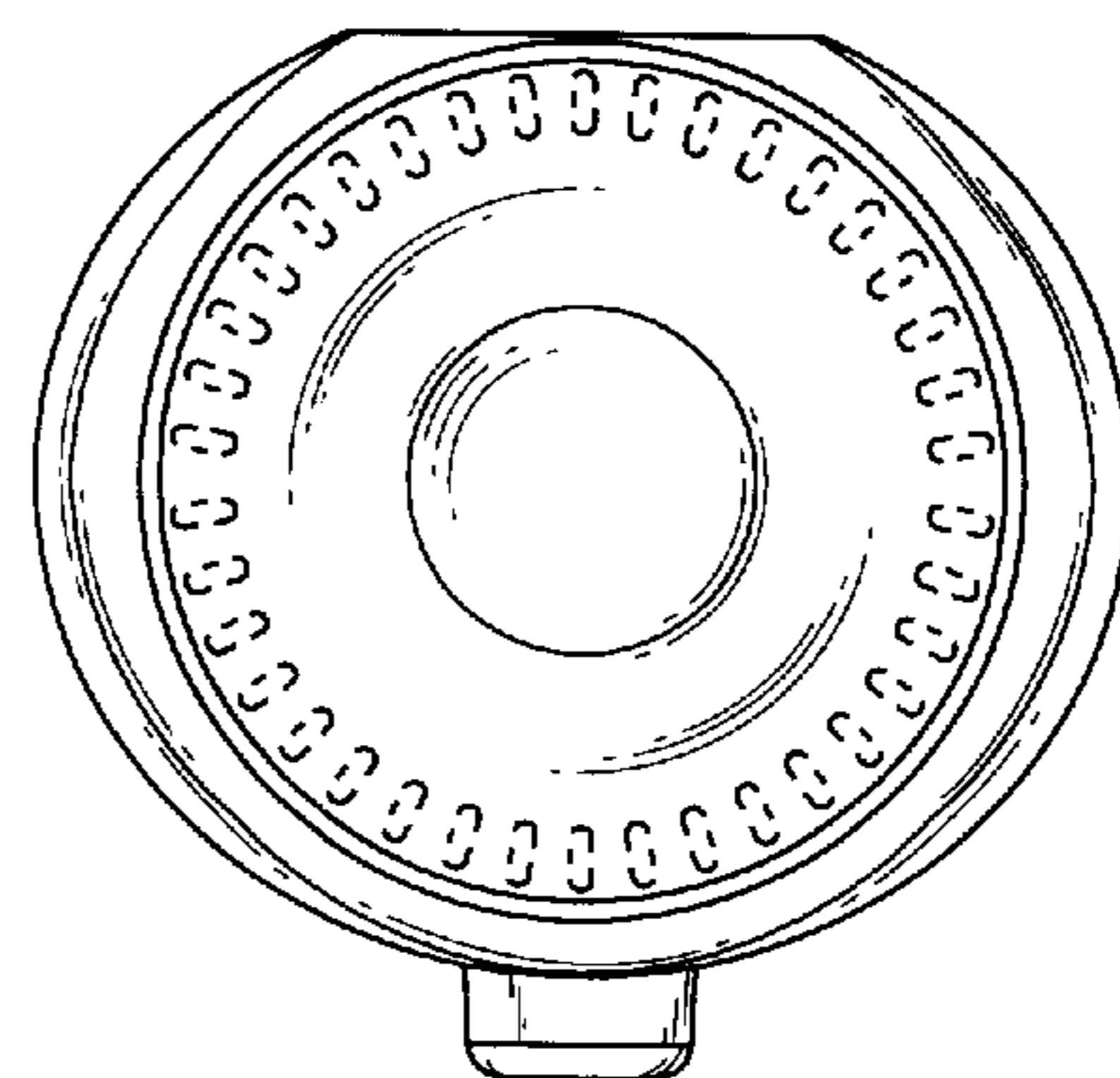


Fig. 7

UNITED STATES PATENT AND TRADEMARK OFFICE
Certificate

Patent No. D 437,768 S

Patented: February 20, 2001

On petition requesting issuance of a certificate for correction of inventorship pursuant to 35 U.S.C. 256, it has been found that the above identified patent, through error and without deceptive intent, improperly sets forth the inventorship.

Accordingly, it is hereby certified that the correct inventorship of this patent is: Andrew J. Tarpill and Tadeusz Zagula.

Signed and Sealed this Eighth Day of October 2002.

TED SHOOMAN
Supervisory Patent Examiner
Art Unit 2912

UNITED STATES PATENT AND TRADEMARK OFFICE
CERTIFICATE OF CORRECTION

PATENT NO. : Des. 437,768 S
DATED : February 20, 2001
INVENTOR(S) : John W. Grosz et al.

Page 1 of 1

It is certified that error appears in the above-identified patent and that said Letters Patent is hereby corrected as shown below:

The Certificate issued October 8, 2002, through error, referenced the above identified patent.

Accordingly the inventorship of this patent is hereby reinstated to appear as in the printed patent, and is:

Title page,

Item [75], Inventors, please insert -- **John W. Grosz**, Waupun, WI; **Mark A. Gilbertson**, Sauk City, WI --

This Certificate of Correction supersedes the Certificate issued October 8, 2002.

Signed and Sealed this

Twenty-sixth Day of November, 2002

Attest:



Attesting Officer

JAMES E. ROGAN
Director of the United States Patent and Trademark Office