



US00D437765S

(12) **United States Design Patent**
Tarpill

(10) **Patent No.:** **US D437,765 S**

(45) **Date of Patent:** **** Feb. 20, 2001**

(54) **ADJUSTABLE OUTER JACKET END STRIPPER WITH DUAL POSITION JAW**

(75) **Inventor:** **Andrew J. Tarpill**, East Haddam, CT (US)

(73) **Assignee:** **Capewell Components Company, LLC**, Cromwell, CT (US)

(**) **Term:** **14 Years**

(21) **Appl. No.:** **29/121,236**

(22) **Filed:** **Apr. 3, 2000**

(51) **LOC (7) Cl.** **08-03**

(52) **U.S. Cl.** **D8/98; D8/51**

(58) **Field of Search** D8/98, 99, 51; 30/90.1, 90.2, 90.3, 90.4, 90.6, 90.7, 90.8, 90.9, 91.1, 91.2; 81/9.4, 9.42, 9.43

(56) **References Cited**

U.S. PATENT DOCUMENTS

D. 270,992	10/1983	Matthews	D8/98
D. 297,910	10/1988	Matthews	D8/98
D. 301,970	7/1989	Matthews	D8/98
D. 359,214	* 6/1995	Carlson, Jr. et al.	D8/51
3,572,189	3/1971	Matthews	.	
3,820,420	6/1974	Matthews	30/91.2
3,914,864	* 10/1975	Prince	30/90.6

3,915,037	* 10/1975	Wiener	30/90.6
3,990,331	11/1976	Matthews	.	
4,028,800	6/1977	Matthews	30/90.1
4,945,788	8/1990	Matthews	30/90.1
4,955,137	9/1990	Matthews	30/90.1
4,972,583	* 11/1990	Pinchon	30/90.6
5,003,846	* 4/1991	Yagawa	81/9.42
5,491,894	* 2/1996	Bieganski	30/90.1
5,507,207	* 4/1996	Benoit et al.	81/9.43
5,713,132	2/1998	Tarpill	30/91.2
5,956,852	9/1999	Tarpill	30/90.3

* cited by examiner

Primary Examiner—Philip S. Hyder

(74) *Attorney, Agent, or Firm*—DeLio & Peterson, LLC

(57) **CLAIM**

I claim the ornamental design for an adjustable outer jacket end stripper with dual position jaw, as shown and described.

DESCRIPTION

FIG. 1 is a top view of the design of this invention.
FIG. 2 is a left side view of the design of this invention.
FIG. 3 is a bottom view of the design of this invention.
FIG. 4 is a back view of the design of this invention.
FIG. 5 is a right side view of the design of this invention;
and,
FIG. 6 is a front view of the design of this invention.

1 Claim, 2 Drawing Sheets

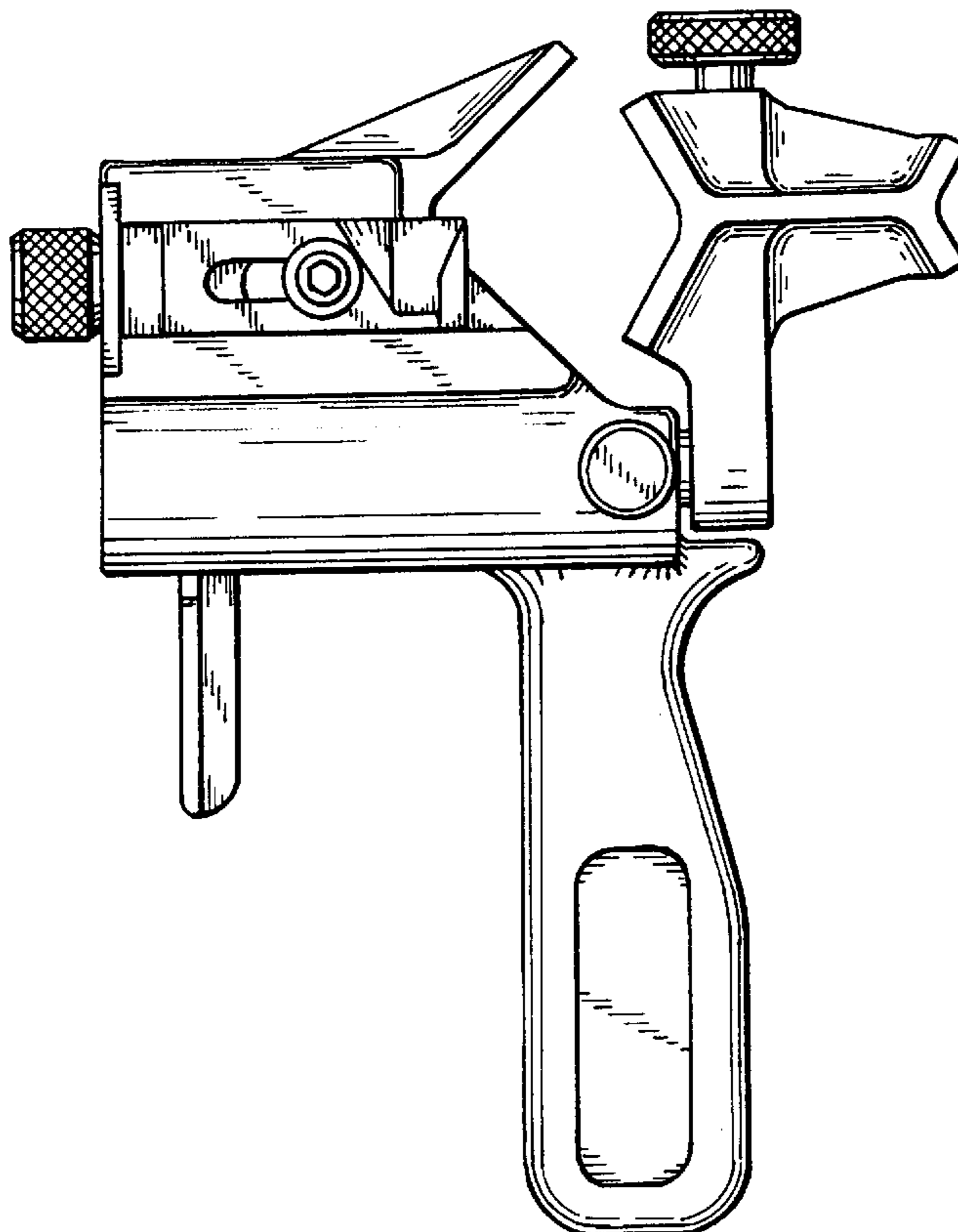


FIG. 1

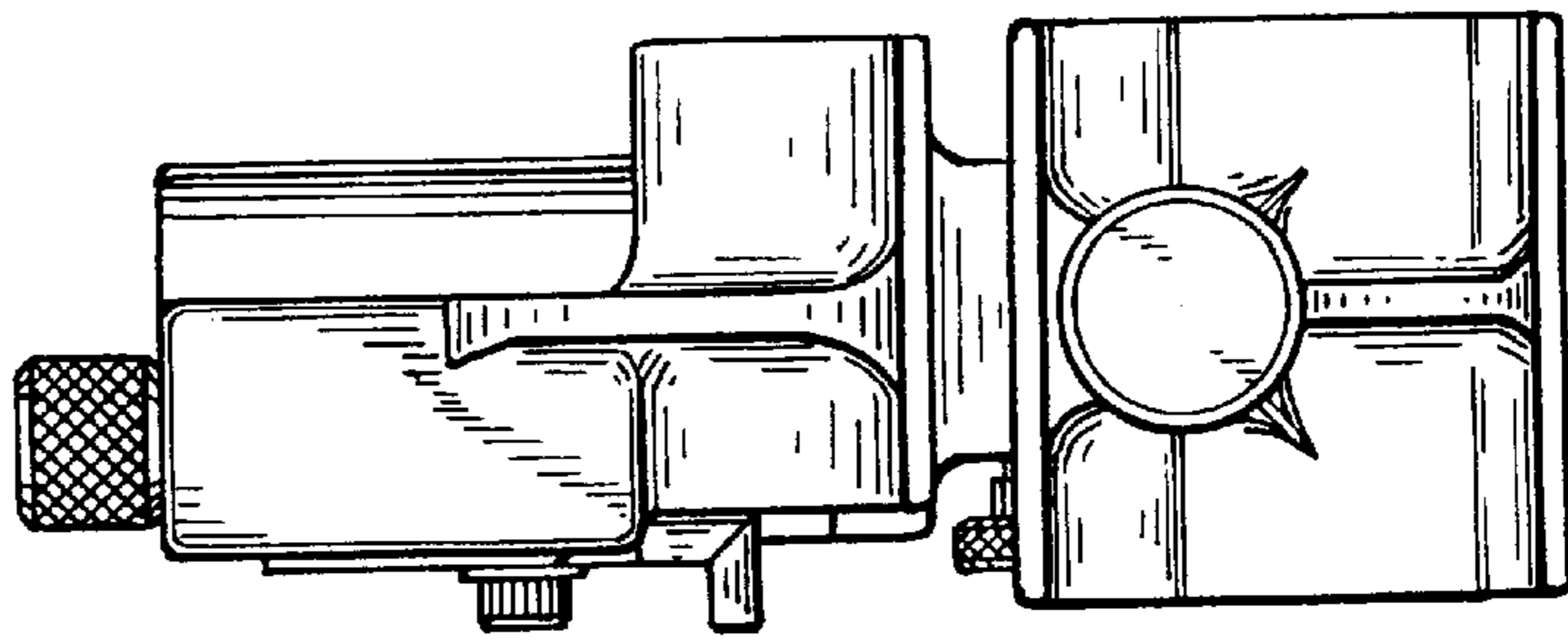


FIG. 2

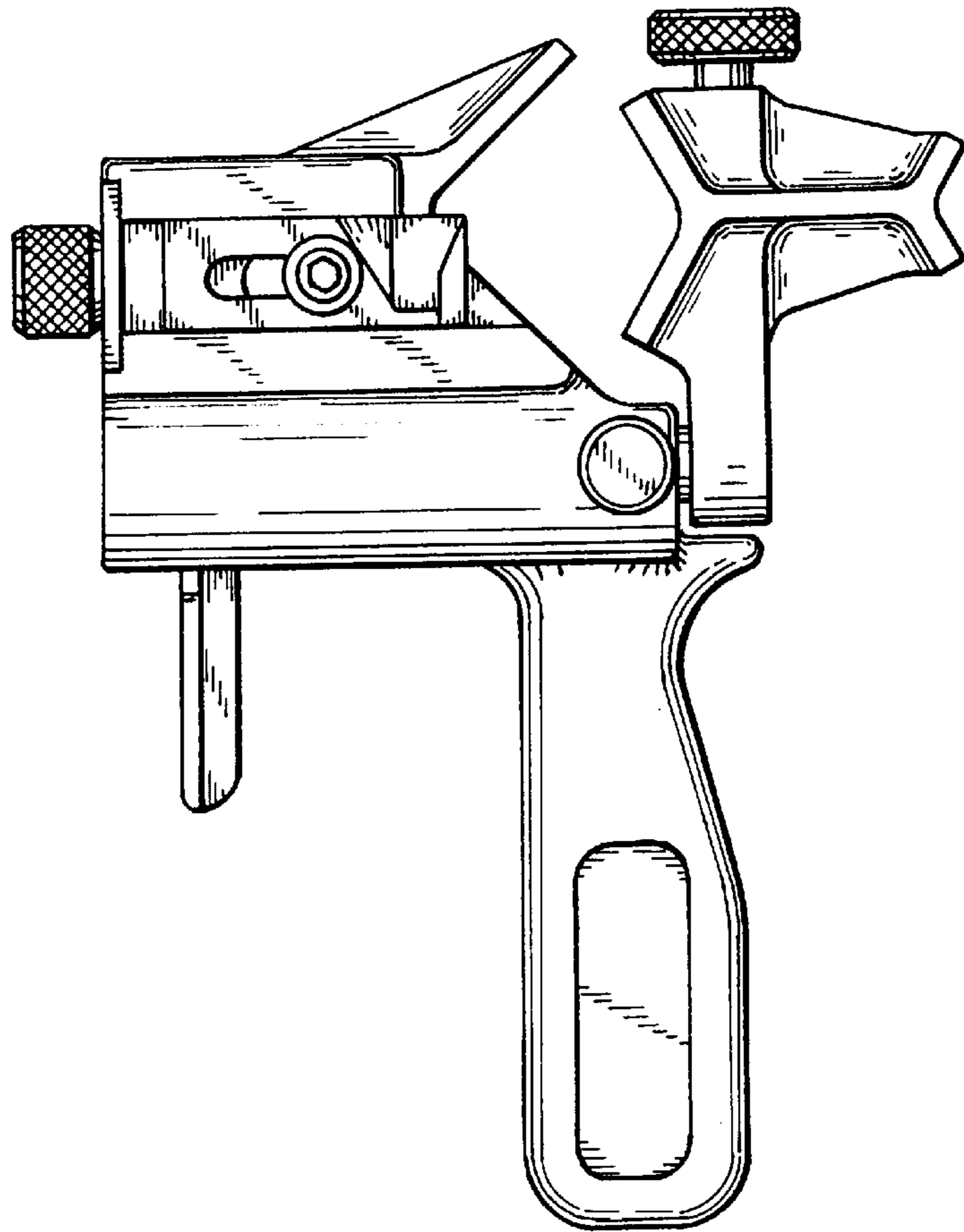
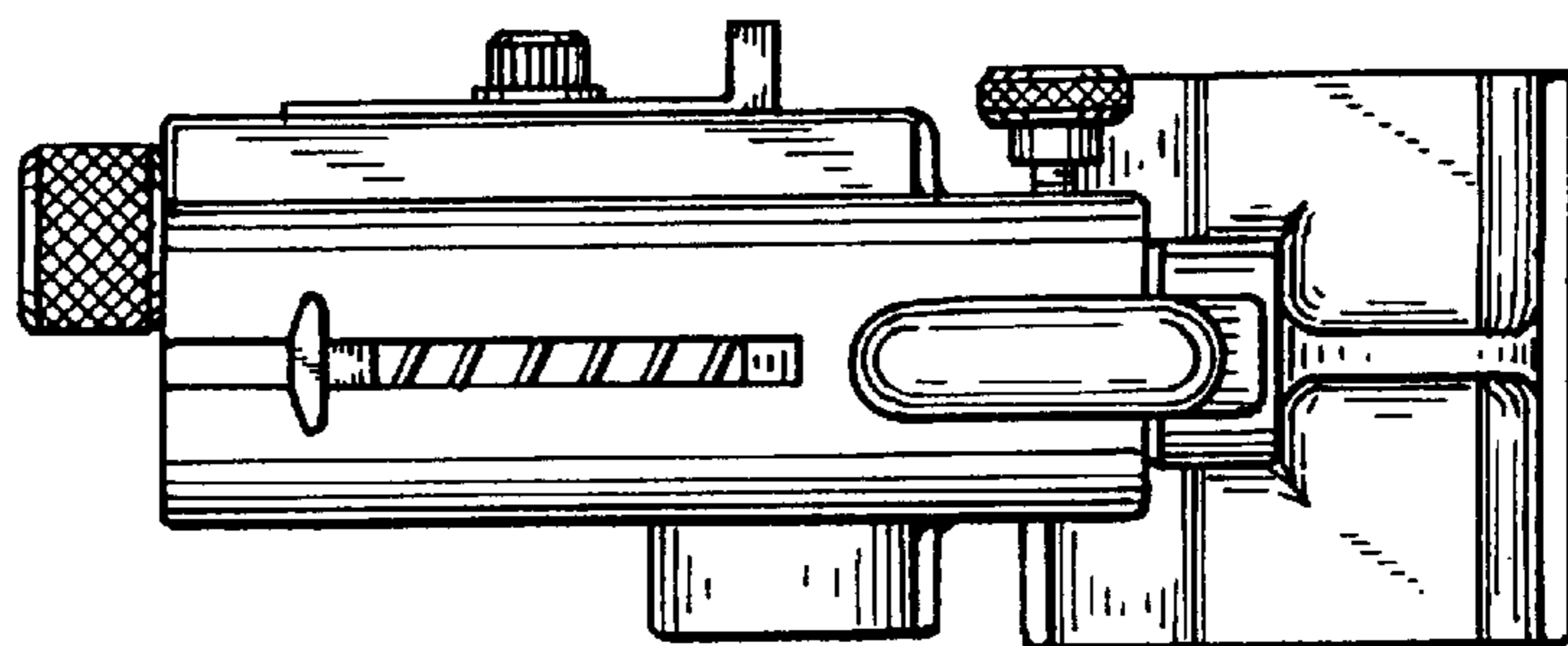


FIG. 3



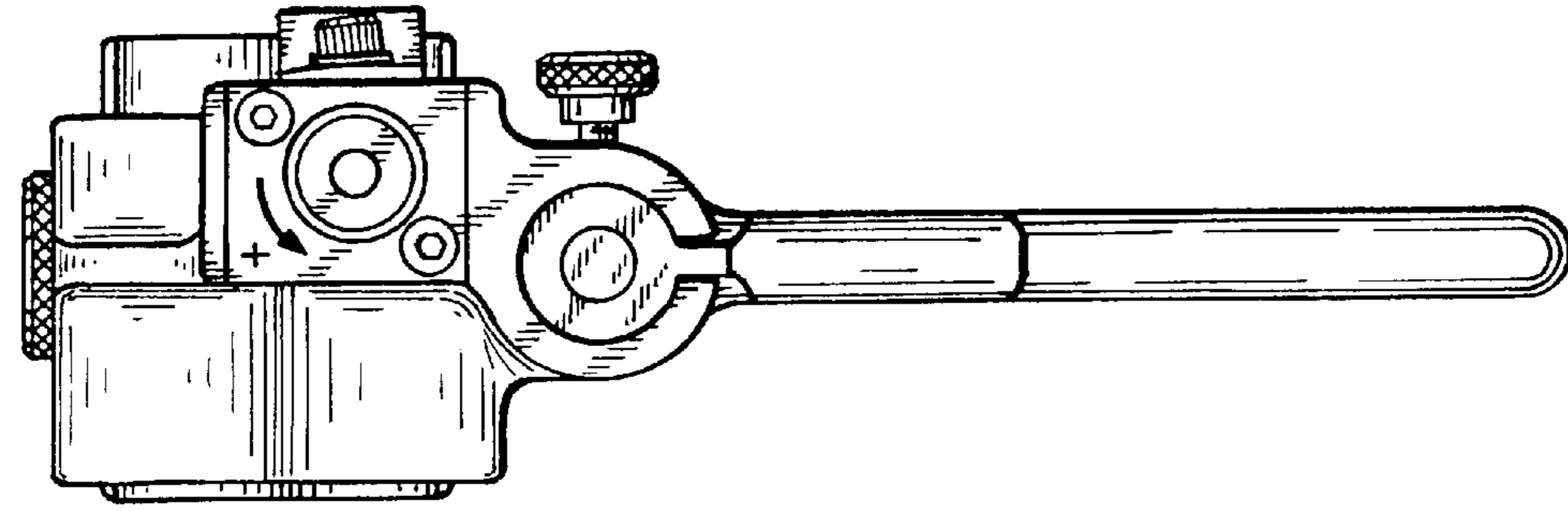


FIG. 4

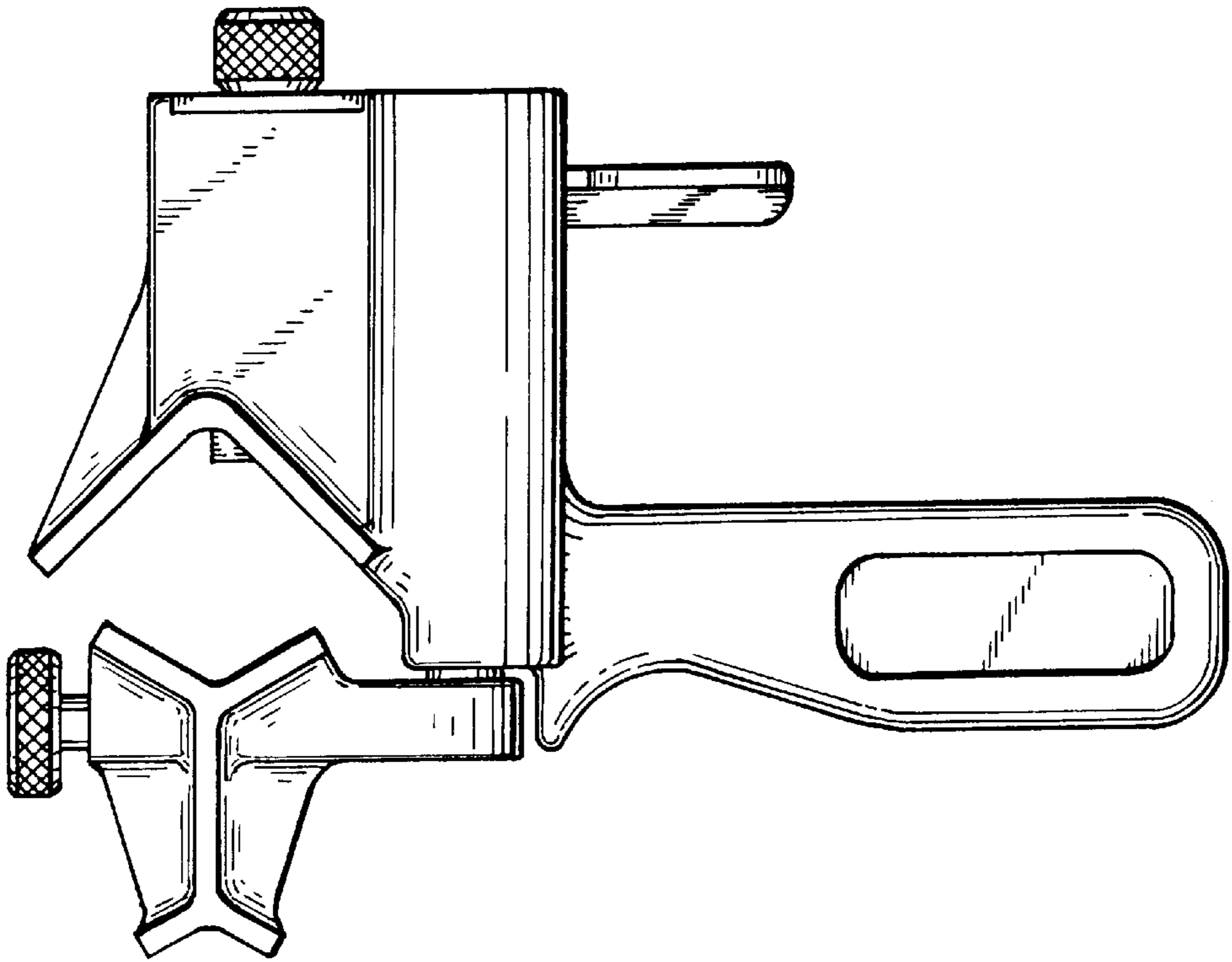


FIG. 5

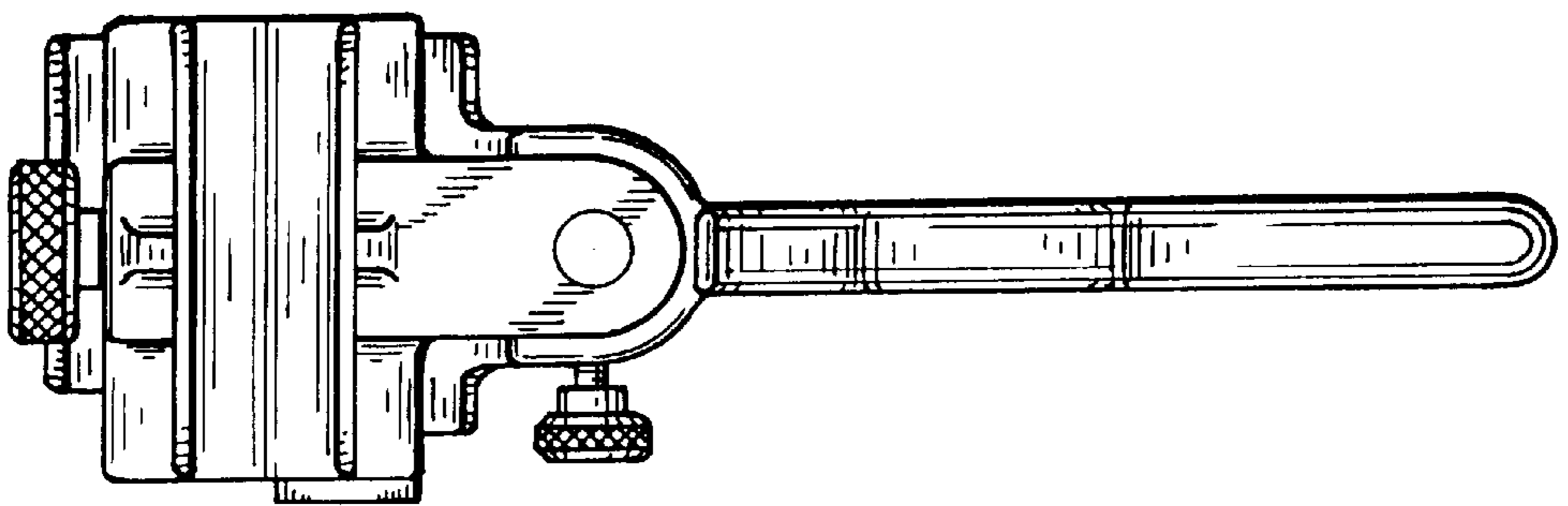


FIG. 6

UNITED STATES PATENT AND TRADEMARK OFFICE
Certificate

Patent No. D 437,765 S

Patented: February 20, 2001

On petition requesting issuance of a certificate for correction of inventorship pursuant to 35 U.S.C. 256, it has been found that the above identified patent, through error and without deceptive intent, improperly sets forth the inventorship.

Accordingly, it is hereby certified that the correct inventorship of this patent is: Andrew J. Tarpill and Tadeusz Zagula.

Signed and Sealed this Eighth Day of October 2002.

TED SHOOMAN
Supervisory Patent Examiner
Art Unit 2912