



US00D437760S

(12) **United States Design Patent**
Izumisawa

(10) **Patent No.:** **US D437,760 S**

(45) **Date of Patent:** **** Feb. 20, 2001**

(54) **IMPACT WRENCH**

FOREIGN PATENT DOCUMENTS

(75) Inventor: **Osamu Izumisawa**, Tokyo (JP)

0849052A2 6/1998 (EP) 1/1

(73) Assignee: **S.P. Air Kabusiki Kaisha**,
Kamiminochi Nagano Pref. (JP)

OTHER PUBLICATIONS

(**) Term: **14 Years**

(21) Appl. No.: **29/111,893**

(22) Filed: **Oct. 5, 1999**

(51) **LOC (7) Cl.** **08-05**

(52) **U.S. Cl.** **D8/68**

(58) **Field of Search** D8/68; 81/54,
81/57.13, 57.14; 173/169, 170; 408/124,
125

Ingersoll-Rand publication entitled, "Ingersoll-Rand Auto-
motive Power Tools Catalog," 1996, pp. 1, 8-9, 11-17, 23
and 41.

Mermaid Distributors publication entitled, "Shinano Pneu-
matic Ind. Inc.," published at least as early as Oct. 5, 1999.
Coventrys publication entitled, "Coventrys SP Air," Sep.
1994.

SP Air Corporation publication entitled, "½ [inch] Square
Drive Impact Wrenches," published at least as early as Oct.
5, 1999.

Shinano Pneumatic Industries Inc. publication entitled, "SP
Air," published at least as early as Oct. 5, 1999.

Shinano Pneumatic Industries Inc. publication entitled, "SP
Pneumatic Tools," published at least as early as Oct. 5, 1999,
pp. 1-2, 7-12 and 15.

Burson Auto Parts publication entitled, "Burson Auto Parts
SP Air," published at least as early as Oct. 5, 1999.

Viking Air Tools untitled publication, Aug. 1990.

(56) **References Cited**

U.S. PATENT DOCUMENTS

Re. 35,617	9/1997	Krivec .	
D. 205,091	6/1966	Averitt .	
D. 223,134	* 3/1972	Bunyea	D8/61
D. 256,771	9/1980	Kitagawa et al. .	
D. 256,980	9/1980	Adams et al. .	
D. 288,769	3/1987	Doman .	
D. 288,770	3/1987	Doman .	
D. 289,136	4/1987	Doman .	
D. 294,001	* 2/1988	Greenlee et al.	D8/61
D. 299,411	1/1989	Porcaro .	
D. 313,736	1/1991	Boliver et al. .	
D. 316,019	4/1991	Belanger .	
D. 319,763	9/1991	Reiferscheid .	
D. 324,801	3/1992	Caskey et al. .	
D. 324,802	3/1992	Caskey et al. .	
D. 327,830	7/1992	Fisher .	
D. 329,580	9/1992	Sasaki et al. .	
D. 344,000	2/1994	Shibata et al. .	
D. 360,129	7/1995	Guegan et al. .	
D. 364,544	11/1995	Izumisawa .	
D. 388,678	1/1998	Bantly et al. .	
D. 393,580	4/1998	Bantly et al. .	
D. 394,995	6/1998	Cooper .	

Primary Examiner—Antoine Duval Davis

(74) *Attorney, Agent, or Firm*—Senniger, Powers, Leavitt
& Roedel

(57) **CLAIM**

The ornamental design for an impact wrench, as shown and
described.

DESCRIPTION

FIG. 1 is a right side elevation of an impact wrench of the
present invention;

FIG. 2 is a left side elevation of the wrench;

FIG. 3 is a front elevation of the wrench;

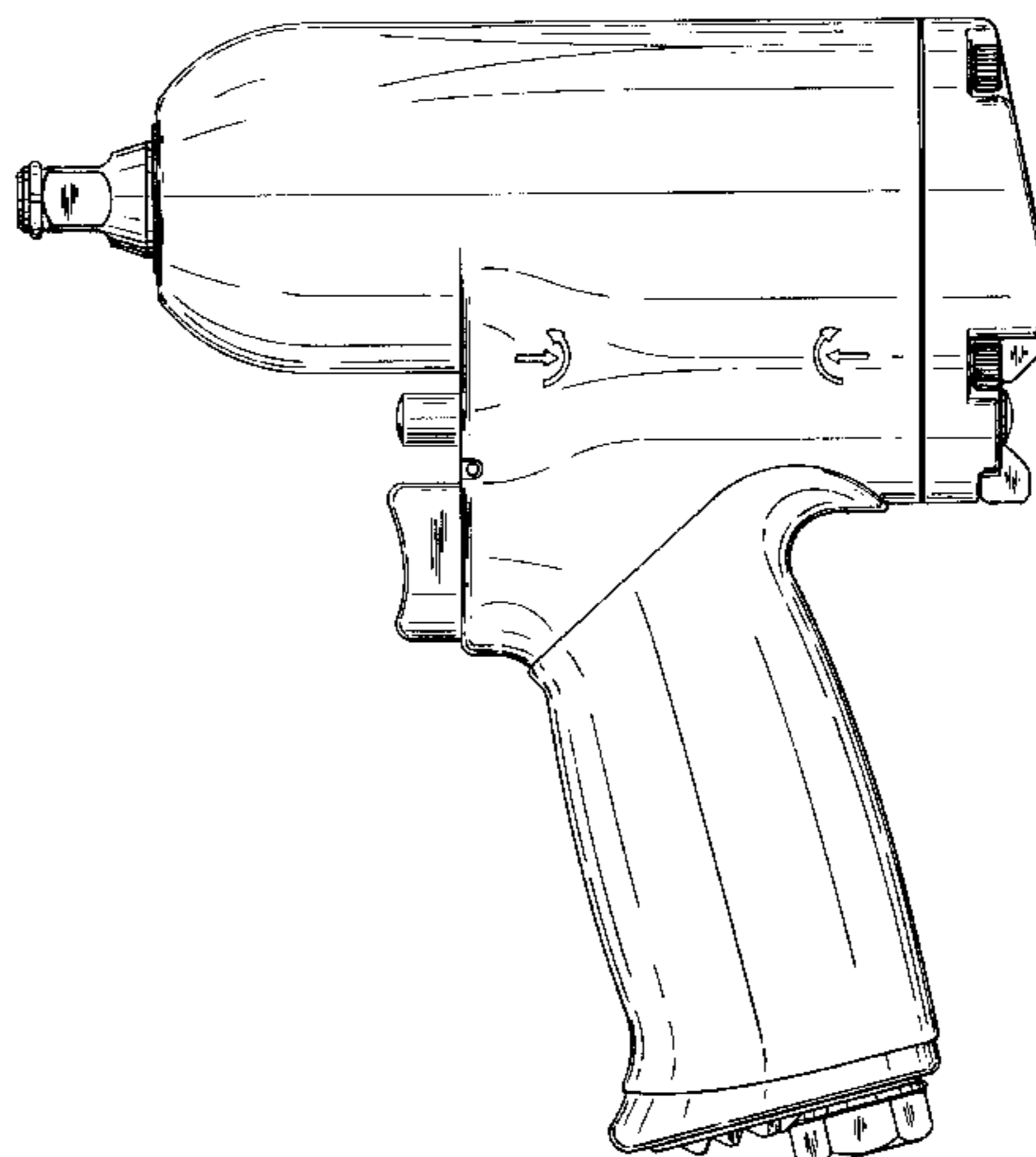
FIG. 4 is a rear elevation of the wrench;

FIG. 5 is a top plan of the wrench; and,

FIG. 6 is a bottom plan of the wrench.

(List continued on next page.)

1 Claim, 4 Drawing Sheets



US D437,760 S

Page 2

U.S. PATENT DOCUMENTS					
			3,951,217	4/1976	Wallace et al. .
			4,379,492	4/1983	Hiraoka .
			4,778,015	10/1988	Jacobsson .
D. 400,074	10/1998	Cooper .	5,083,619	1/1992	Giardino et al. .
D. 403,564	1/1999	Izumisawa .	5,199,505	4/1993	Izumisawa .
D. 410,830 *	6/1999	Pusateri et al. D8/61	5,269,733	12/1993	Anthony, III .
2,829,285	4/1958	Steiner et al. .	5,377,769	1/1995	Hasuo et al. .
3,352,368	11/1967	Maffey, Jr. .	5,918,686	7/1999	Izumisawa .
3,605,914	9/1971	Kramer .	6,062,323 *	5/2000	Pusateri et al. 173/169
3,661,217	5/1972	Maurer .			
3,833,068	9/1974	Hall .			
3,880,245	4/1975	Anderson, Jr. .			
3,924,961 *	12/1975	Hess et al. 173/169 X			

* cited by examiner

FIG. 1

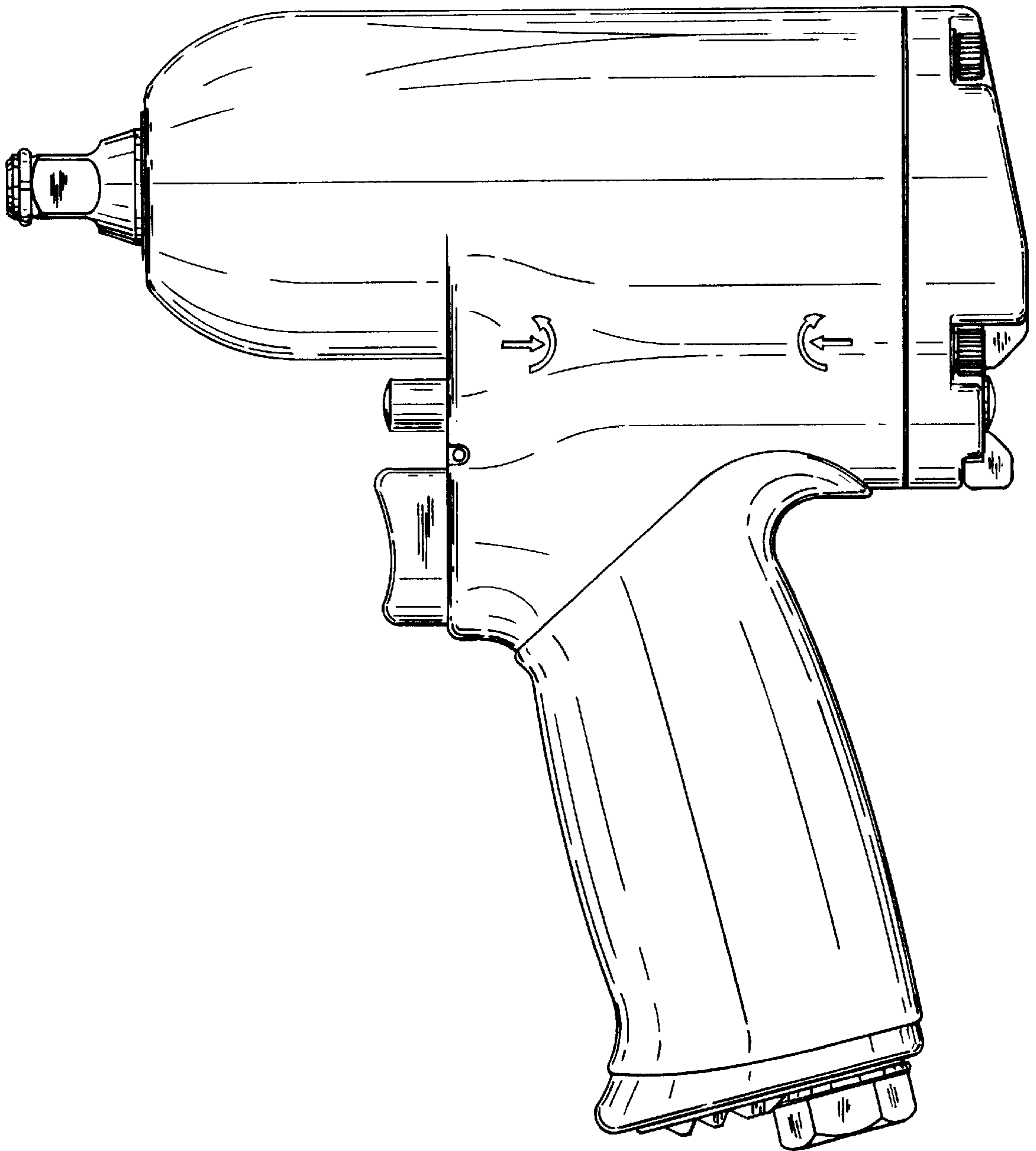


FIG. 2

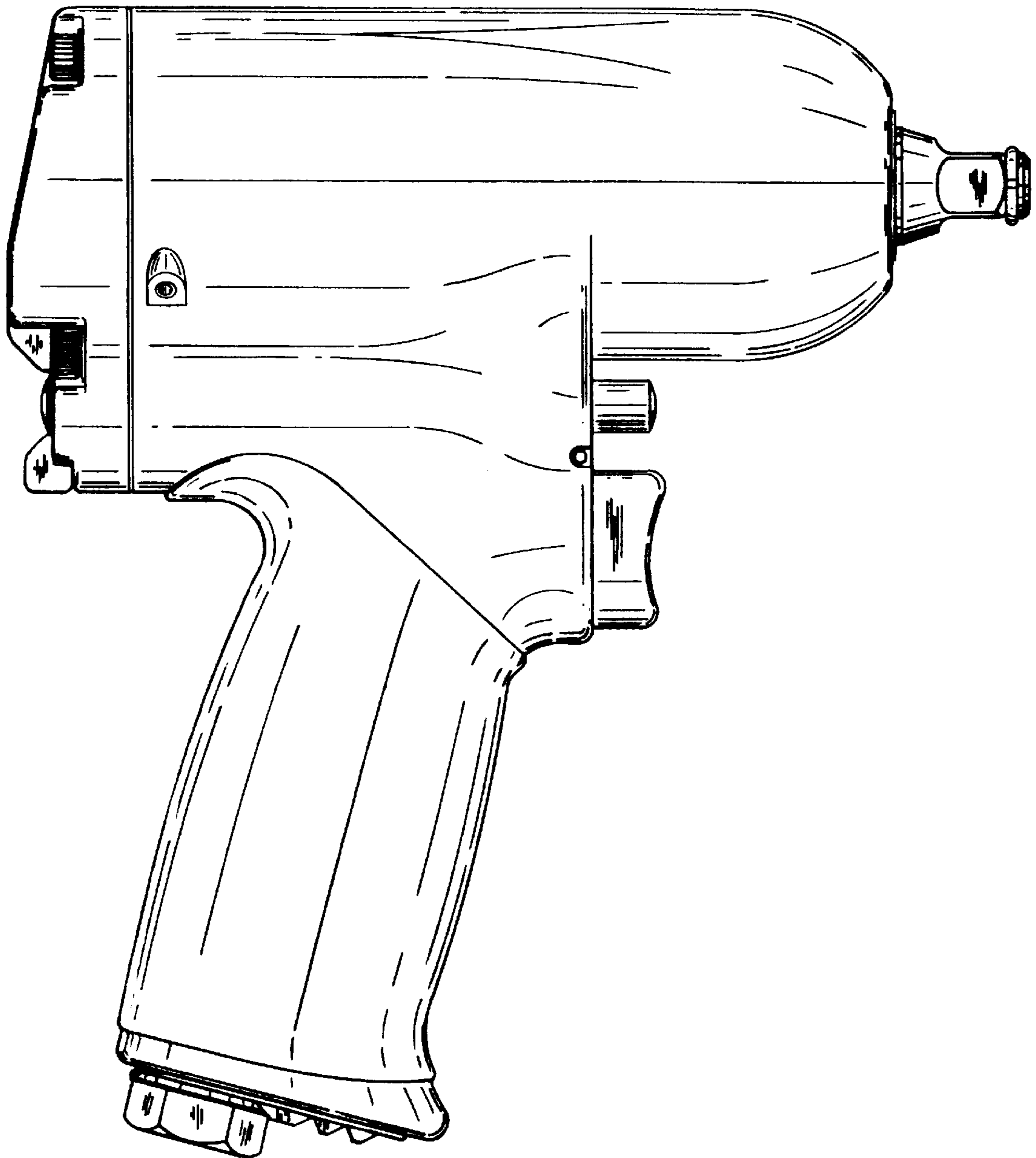


FIG. 3

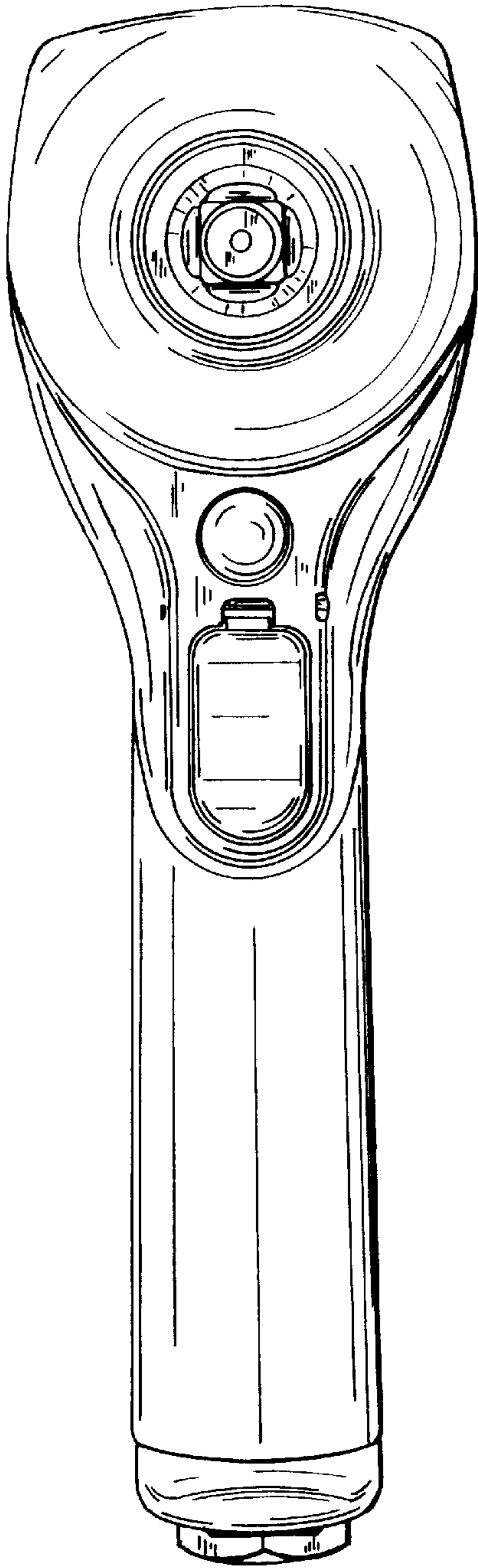


FIG. 4

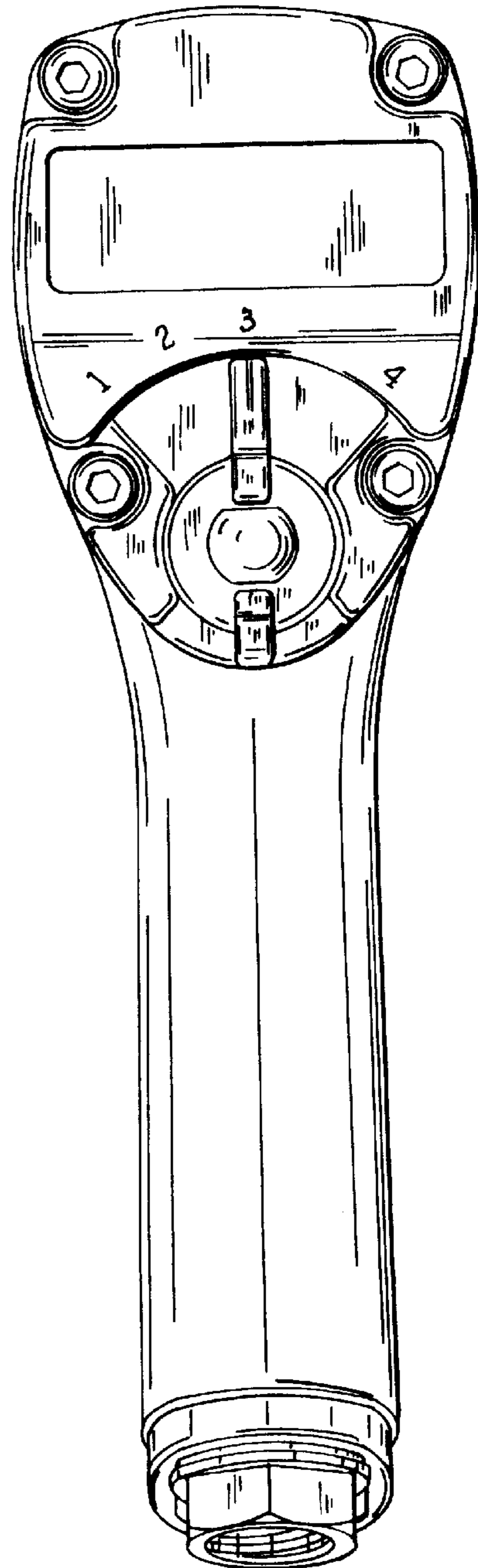


FIG. 5

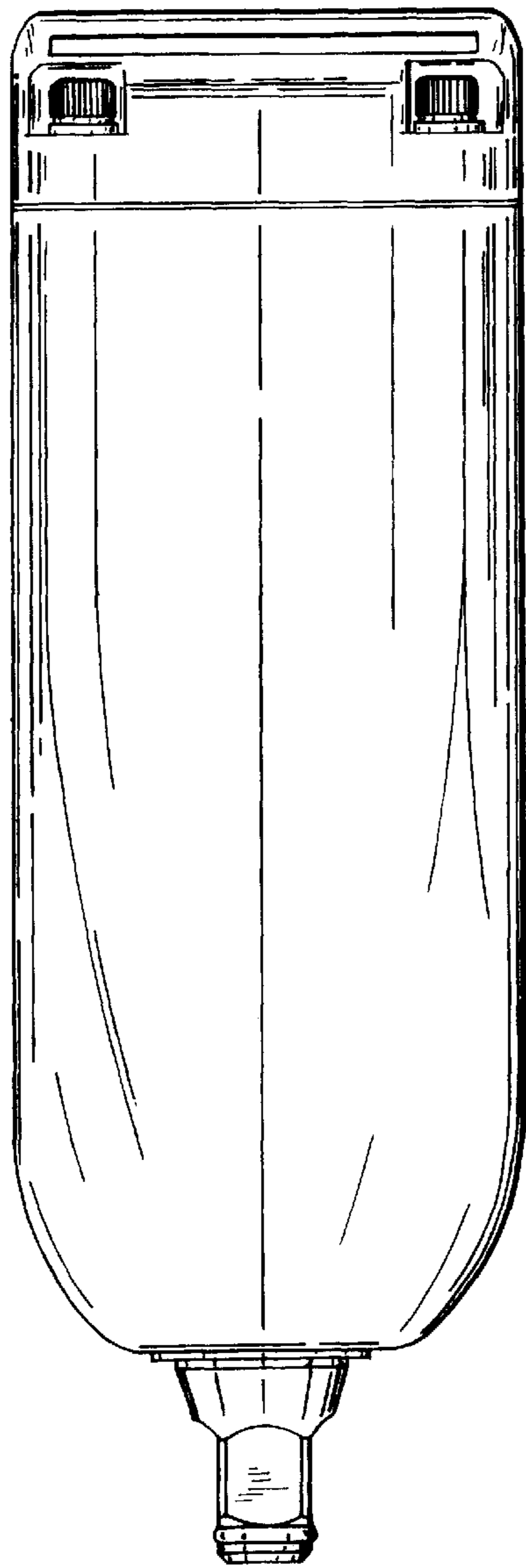


FIG. 6

