



US00D437758S

(12) **United States Design Patent**
Heun

(10) **Patent No.:** **US D437,758 S**

(45) **Date of Patent:** **** Feb. 20, 2001**

(54) **ROTARY DRIVING TOOL**

(75) **Inventor:** **Ping Hay Heun, Aberdeen (HK)**

(73) **Assignee:** **Choon Nang Electrical Appliances Mfy., Ltd., Aberdeen (HK)**

(**) **Term:** **14 Years**

(21) **Appl. No.:** **29/124,257**

(22) **Filed:** **Jun. 5, 2000**

(30) **Foreign Application Priority Data**

Jan. 11, 2000 (GB) 2089375

(51) **LOC (7) Cl.** **08-05**

(52) **U.S. Cl.** **D8/61**

(58) **Field of Search** D8/61-70; 81/57.11,
81/474, 54, 57.42; 173/170, 182, 48, 273,
217; 451/358, 359; 30/391, 390; 15/3.53;
310/50; 418/270; 409/182

(56) **References Cited**

U.S. PATENT DOCUMENTS

D. 310,160	*	8/1990	Patel	D8/61
D. 310,470	*	9/1990	Tohdoh	D8/62
D. 343,560	*	1/1994	McCambridge	D8/61
D. 343,561	*	1/1994	McCambridge	D8/61
D. 374,159	*	10/1996	Chiang	D8/61
D. 376,083	*	12/1996	Verdura et al.	D8/61
D. 378,727	*	4/1997	Kikuchi	D8/61
D. 404,626	*	1/1999	Hall et al.	D8/68
D. 410,829	*	6/1999	Heun	D8/61

D. 412,273	*	7/1999	Chung	D8/62
D. 414,668	*	10/1999	Duennes et al.	D8/68
D. 418,729	*	1/2000	Snider	D8/61
D. 427,040	*	6/2000	Heun	D8/61
D. 427,870	*	7/2000	Heun	D8/61
3,806,977	*	4/1974	Anderson	15/3.53
3,873,863	*	3/1975	Pew	310/50
3,940,816	*	3/1976	Anderson	15/3.53
4,140,446	*	2/1979	Fernstrom	418/270
4,231,270	*	11/1980	Totsu	81/474
4,617,843	*	10/1986	Nishida et al.	81/57.11
4,878,404	*	11/1989	Liao	81/54
5,525,889	*	6/1996	Chan et al.	173/217

* cited by examiner

Primary Examiner—Jeffrey Asch

(74) *Attorney, Agent, or Firm*—Leydig, Voit & Mayer, Ltd.

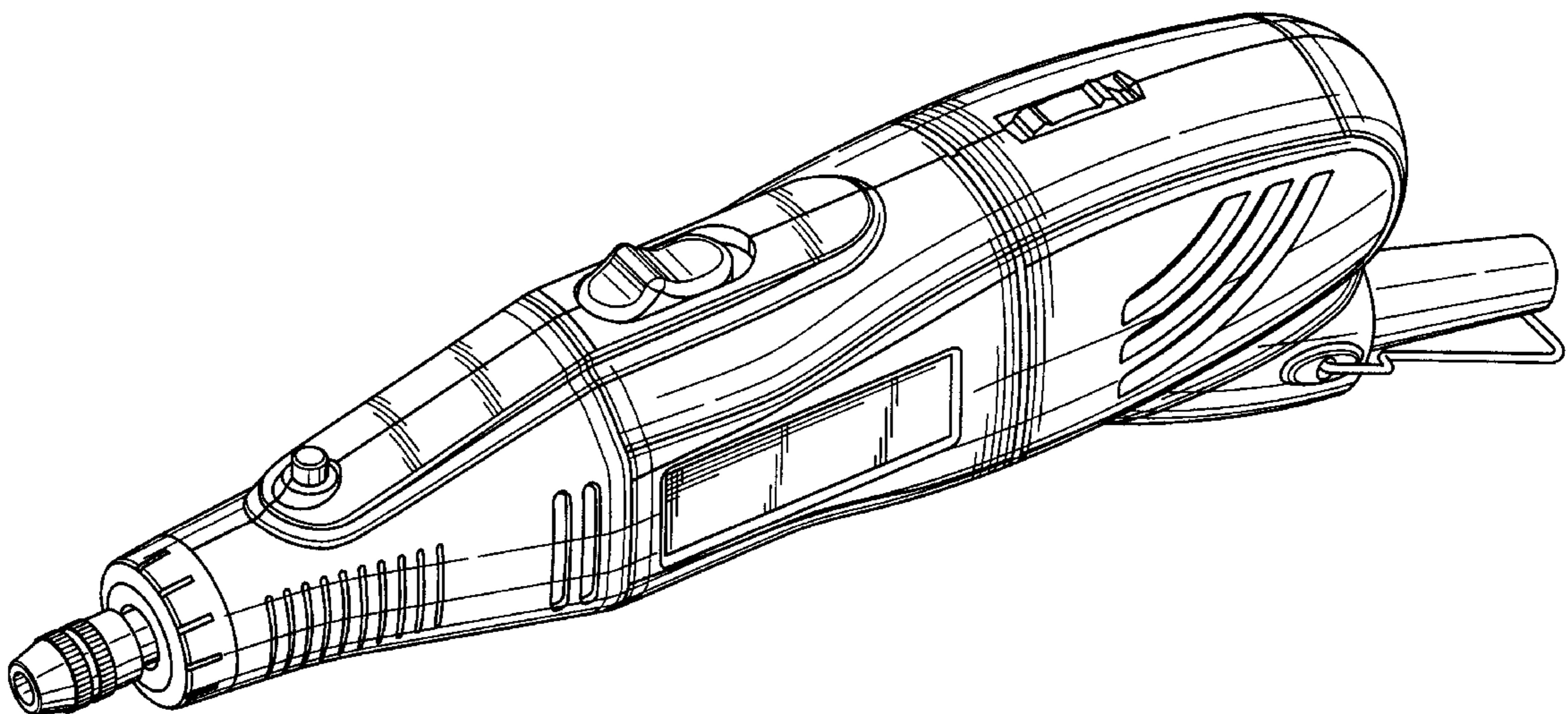
(57) **CLAIM**

The ornamental design for a rotary driving tool, as shown and described.

DESCRIPTION

FIG. 1 is a front end, left side and top perspective view of a rotary driving tool showing my new design;
FIG. 2 is a left side elevational view thereof;
FIG. 3 is a top plan view thereof;
FIG. 4 is a front end elevational view thereof;
FIG. 5 is a rear end elevational view thereof;
FIG. 6 is a right side elevational view thereof; and,
FIG. 7 is a bottom plan elevational view thereof.

1 Claim, 4 Drawing Sheets



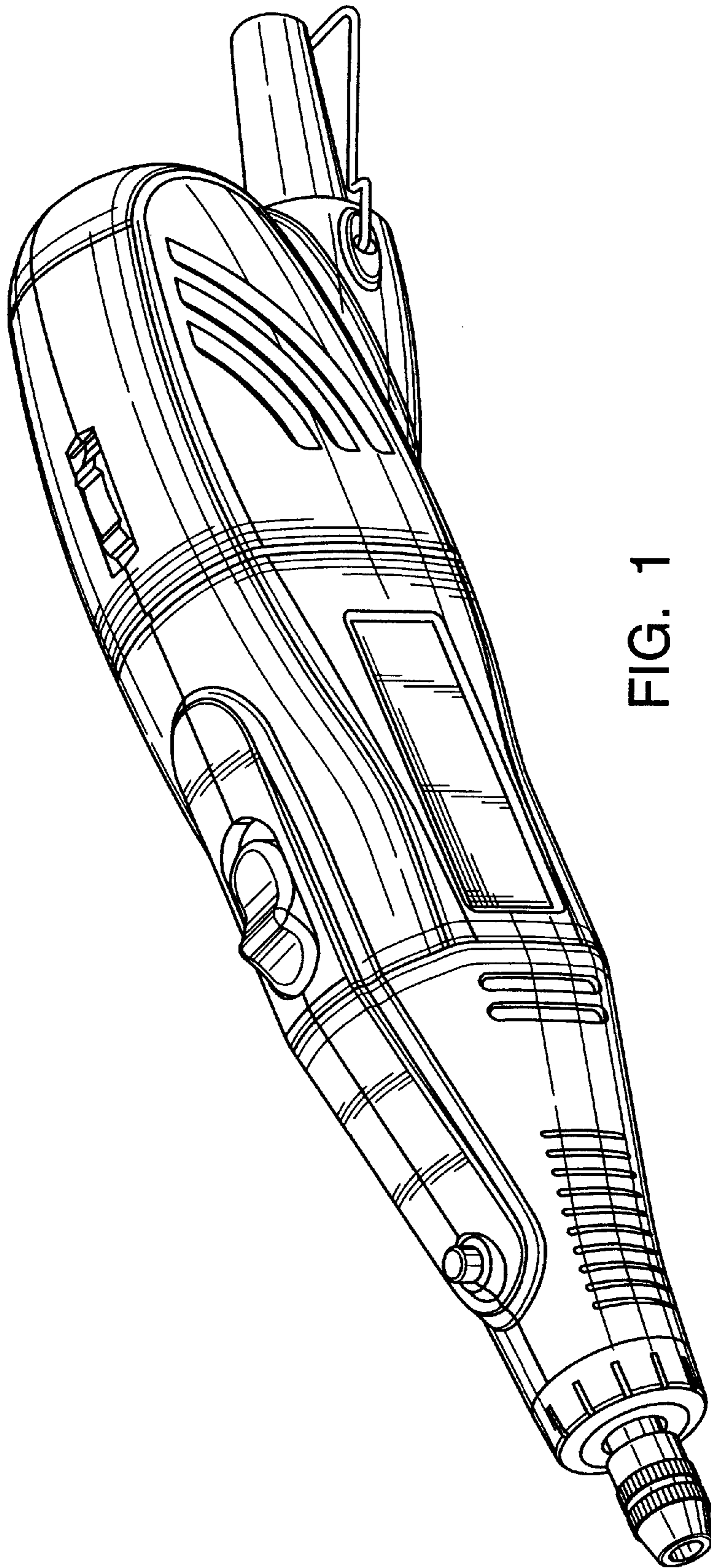


FIG. 1

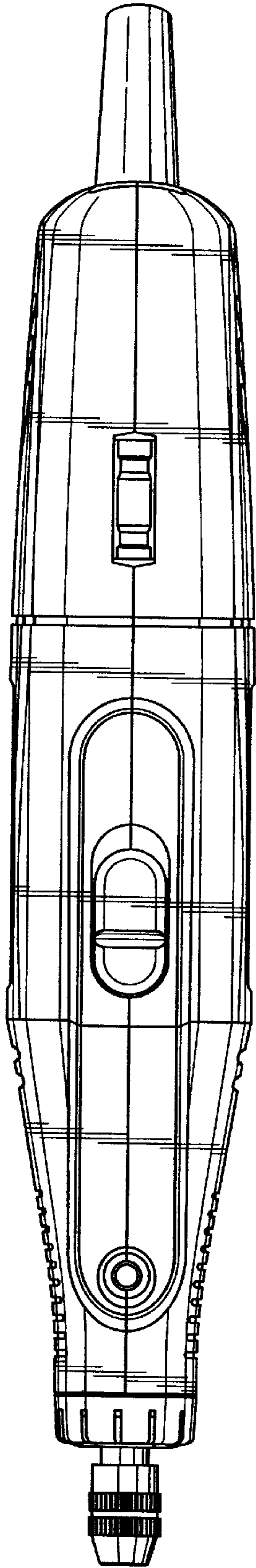


FIG. 3

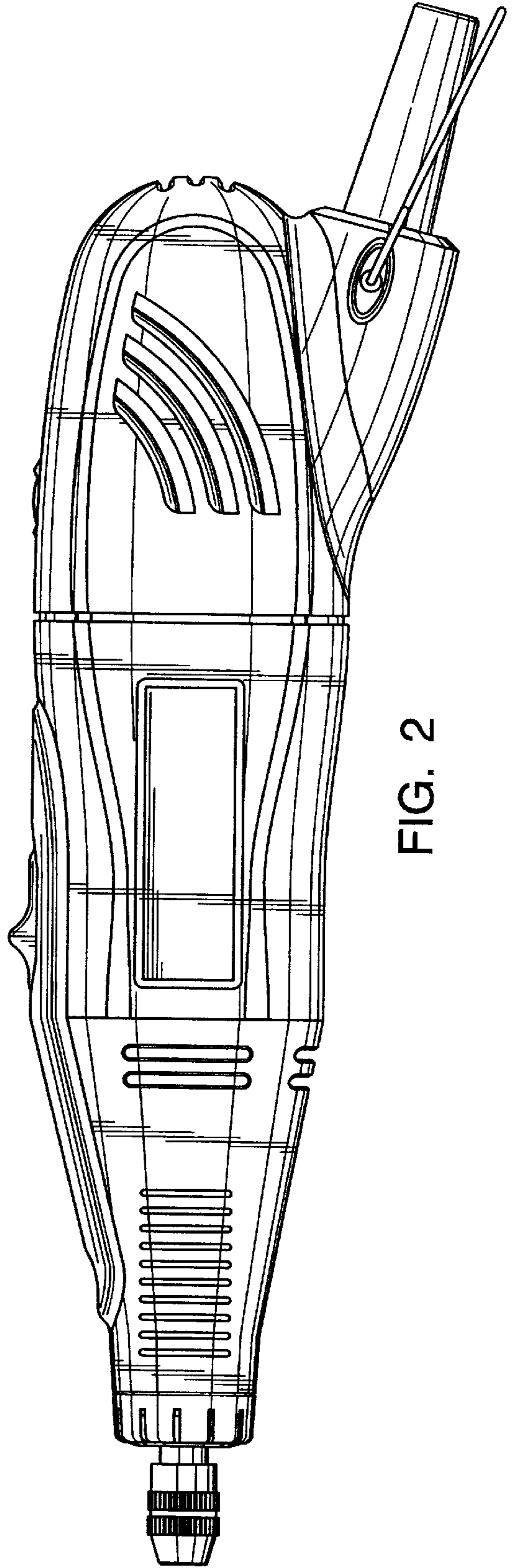


FIG. 2

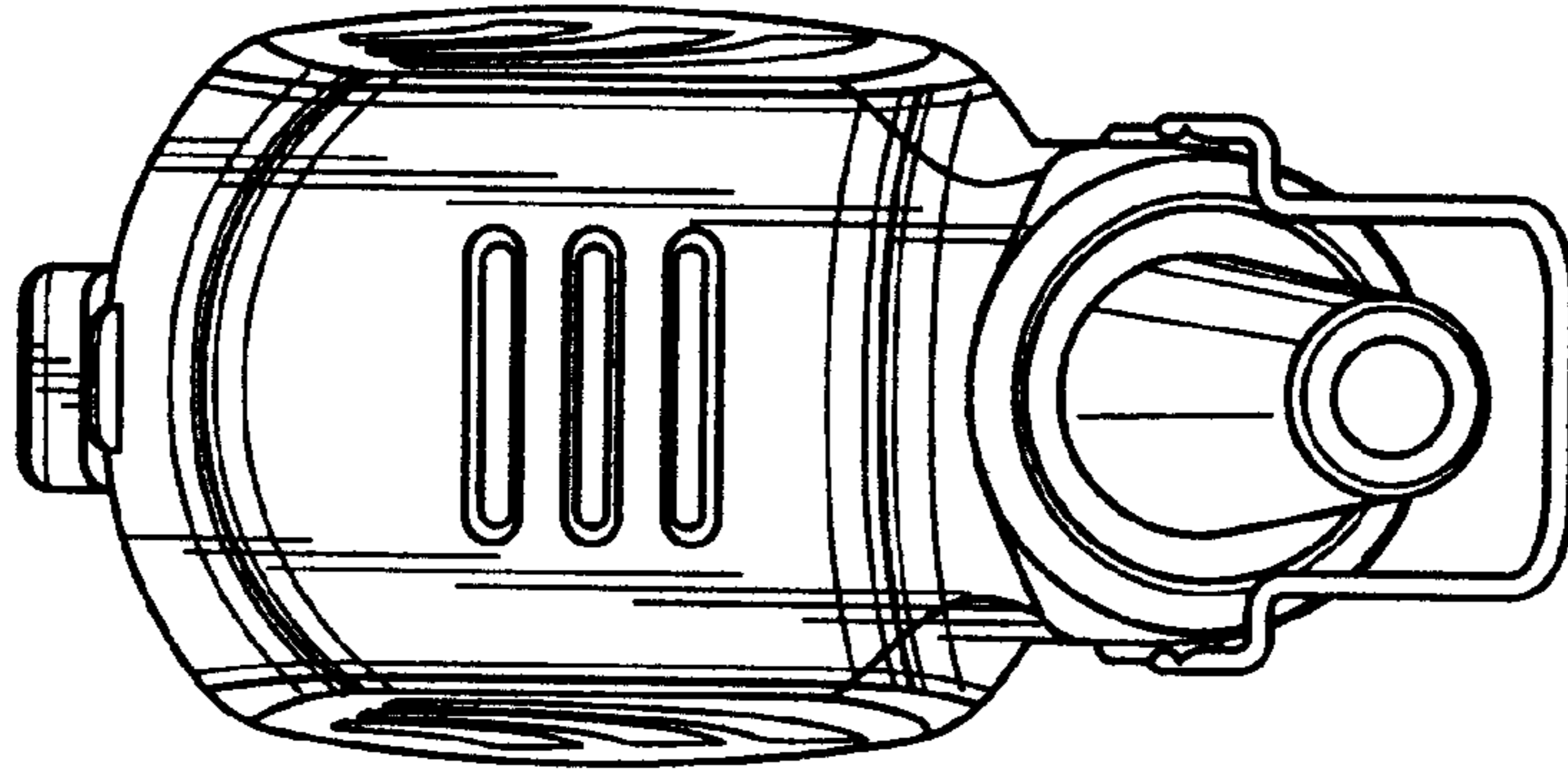


FIG. 5

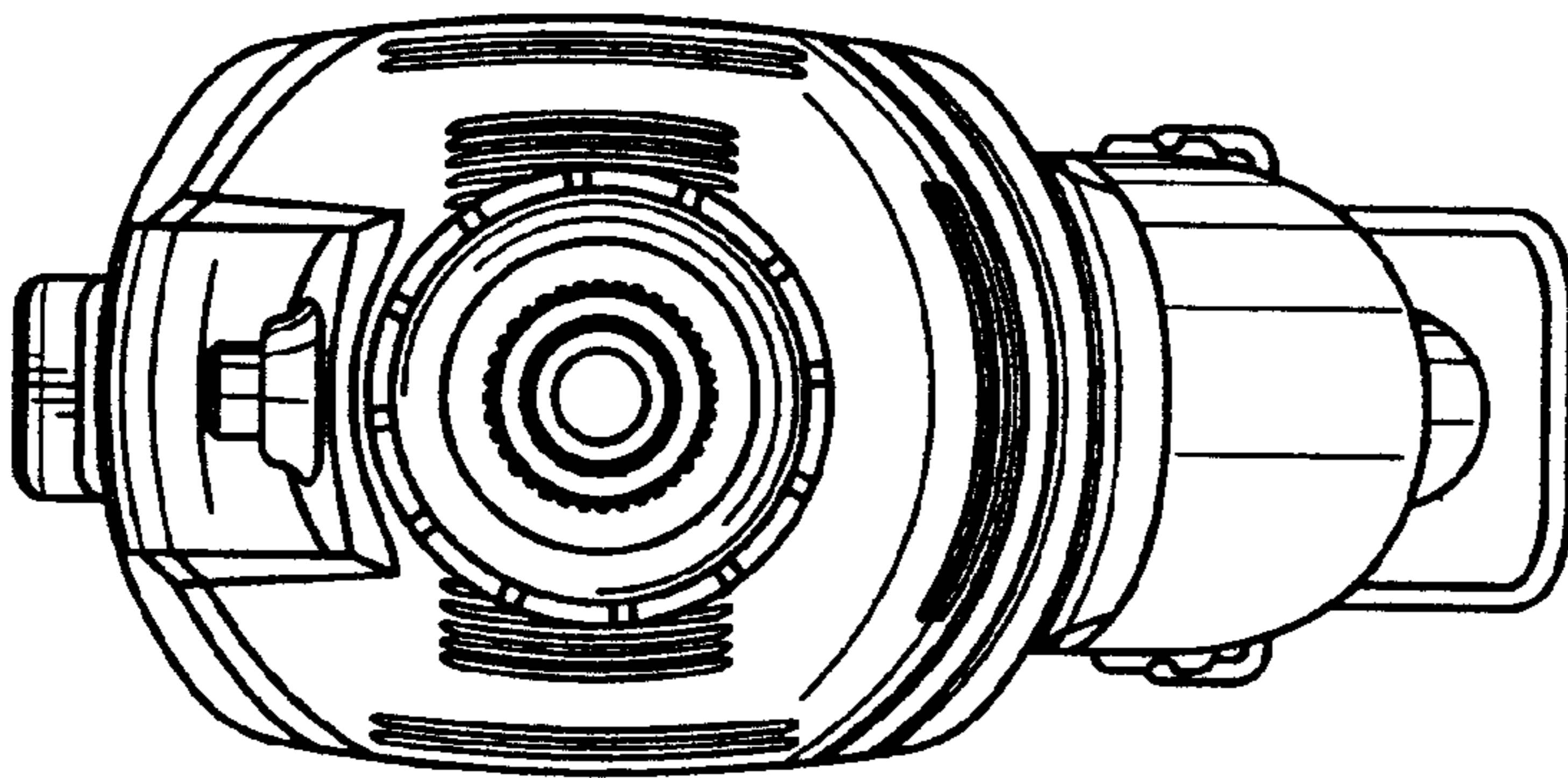


FIG. 4

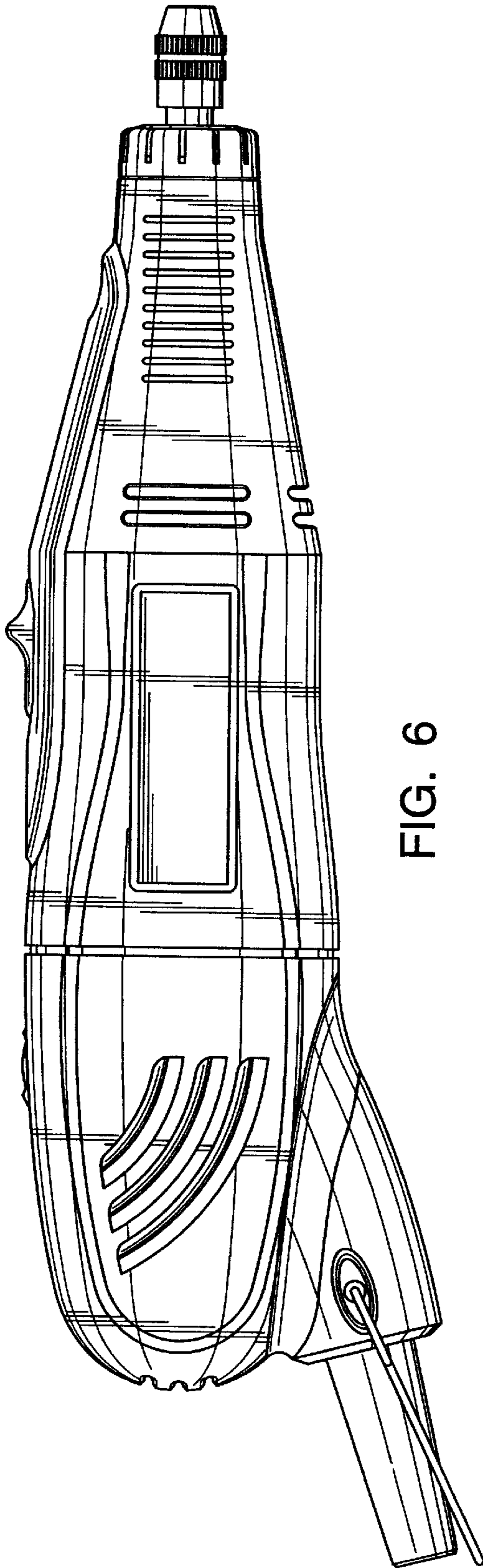


FIG. 6

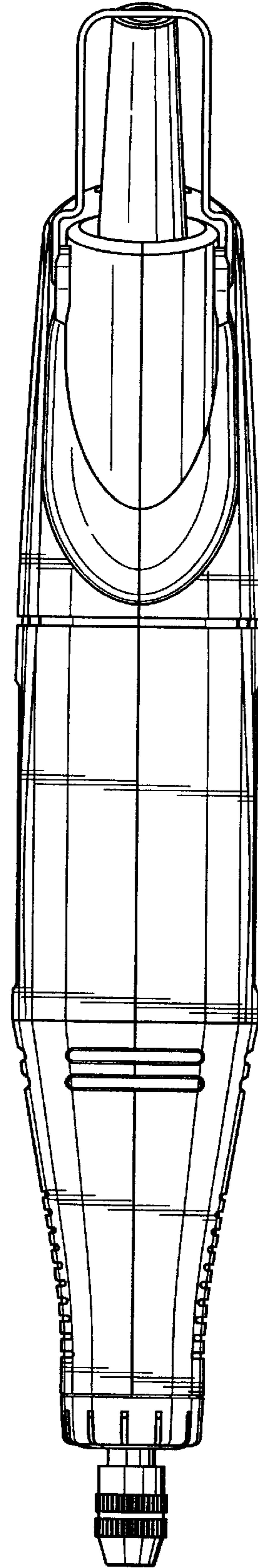


FIG. 7