



US00D437757S

(12) **United States Design Patent**  
**Thomson et al.**

(10) **Patent No.:** **US D437,757 S**

(45) **Date of Patent:** **\*\* Feb. 20, 2001**

(54) **PORTABLE ELECTRIC DRYWALL CUTOUT TOOL**

(75) Inventors: **John Matthew Thomson**, Dahlongea;  
**Michael Christopher Thompson**,  
Dunwoody; **Michihiro Yamade**,  
Duluth; **Fredric C. Heys**, Dacula, all of  
GA (US)

(73) Assignee: **Makita Corporation**, Aichi-ken (JP)

(\*\*) Term: **14 Years**

(21) Appl. No.: **29/119,860**

(22) Filed: **Mar. 9, 2000**

(51) **LOC (7) Cl.** ..... **08-05**

(52) **U.S. Cl.** ..... **D8/61**

(58) **Field of Search** ..... D8/61-70; 81/57.11,  
81/54, 57.42; 173/170, 182, 217, 48, 273;  
451/358, 359; 30/391, 390; 15/3.53; 310/50;  
418/270; 409/182

(56) **References Cited**

**U.S. PATENT DOCUMENTS**

D. 310,160	*	8/1990	Patel	.....	D8/61
D. 310,470	*	9/1990	Tohdoh	.....	D8/62
D. 320,540	*	10/1991	Staubitz et al.	.....	D8/61
D. 364,790	*	12/1995	Duennes	.....	D8/61
D. 374,159	*	10/1996	Chiang	.....	D8/61
D. 376,083	*	12/1996	Verdura et al.	.....	D8/61

D. 380,658	*	7/1997	Bruno et al.	.....	D8/61
D. 391,820	*	3/1998	Bunyea	.....	D8/61
D. 423,897	*	5/2000	Cooper	.....	D8/61
D. 427,040	*	6/2000	Heun	.....	D8/61
D. 427,870	*	7/2000	Heun	.....	D8/61
3,786,845	*	1/1974	States	.....	81/57.42
4,878,404	*	11/1989	Liao	.....	81/54
5,653,033	*	8/1997	McDowell	.....	30/390
5,829,931	*	11/1998	Doumani	.....	409/182

\* cited by examiner

*Primary Examiner*—Jeffrey Asch

(74) *Attorney, Agent, or Firm*—Rodgers & Rodgers

(57) **CLAIM**

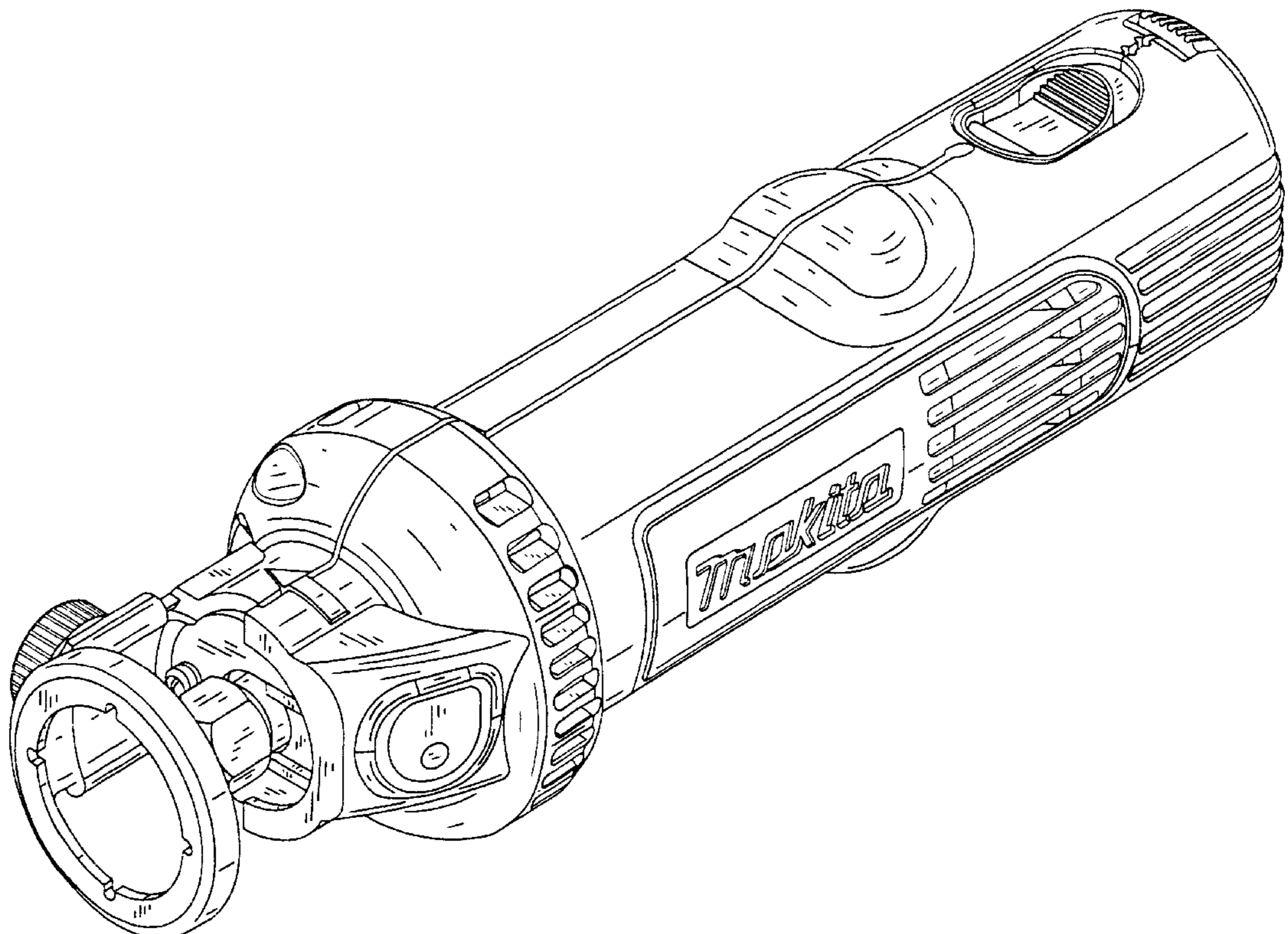
The ornamental design for a portable electric drywall cutout tool, as shown.

**DESCRIPTION**

FIG. 1 is a perspective view of a portable electric drywall cutout tool showing our new design; FIG. 2 is a top plan view thereof; FIG. 3 is a front elevational view thereof; FIG. 4 is a rear elevational view thereof; FIG. 5 is a left side elevational view thereof; FIG. 6 is a right side elevational view thereof; and, FIG. 7 is a bottom plan view thereof.

The Makita trademark which forms a part of the claimed design is a registered trademark of Makita Corporation.

**1 Claim, 6 Drawing Sheets**



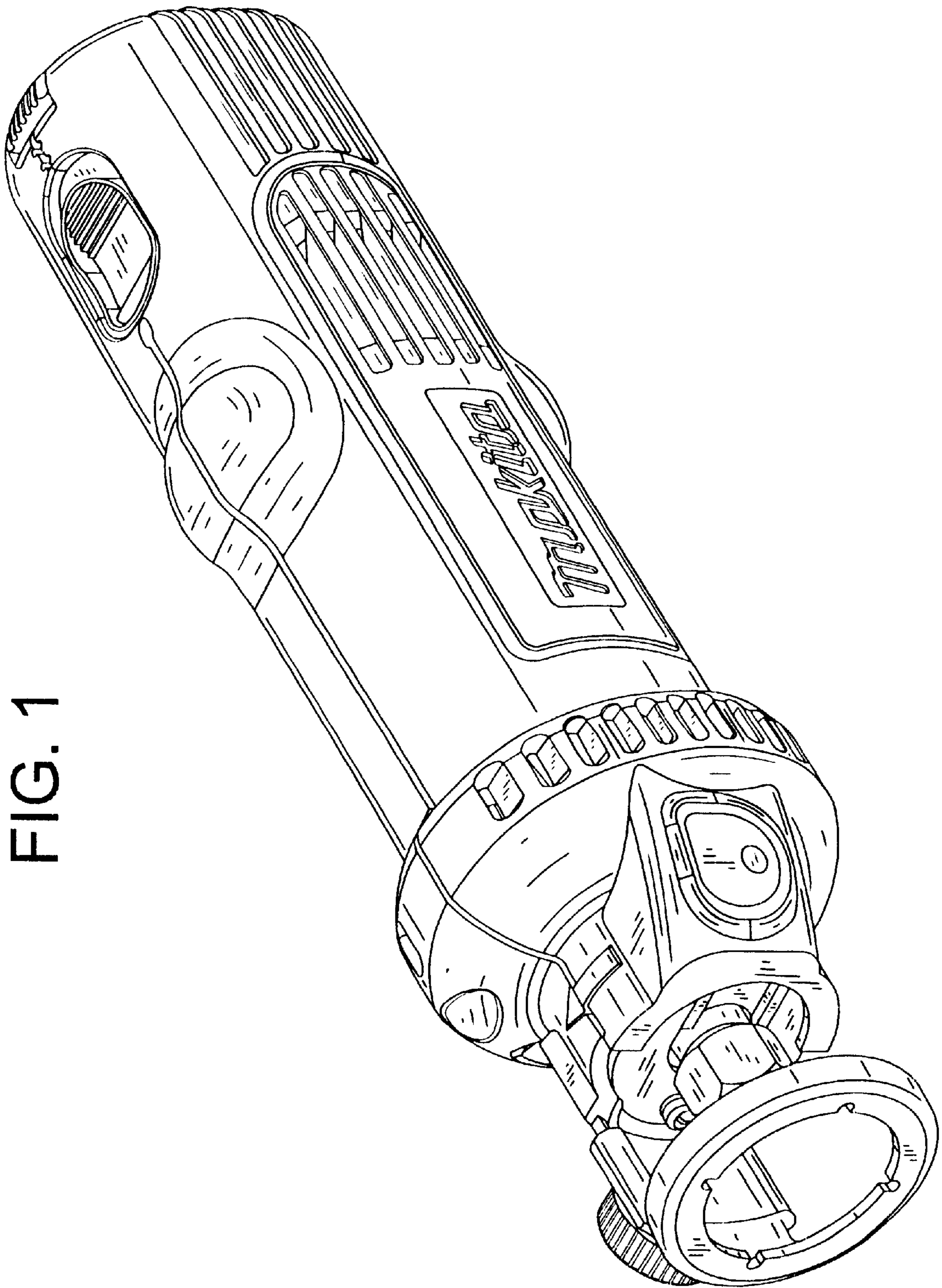


FIG. 1

FIG. 2

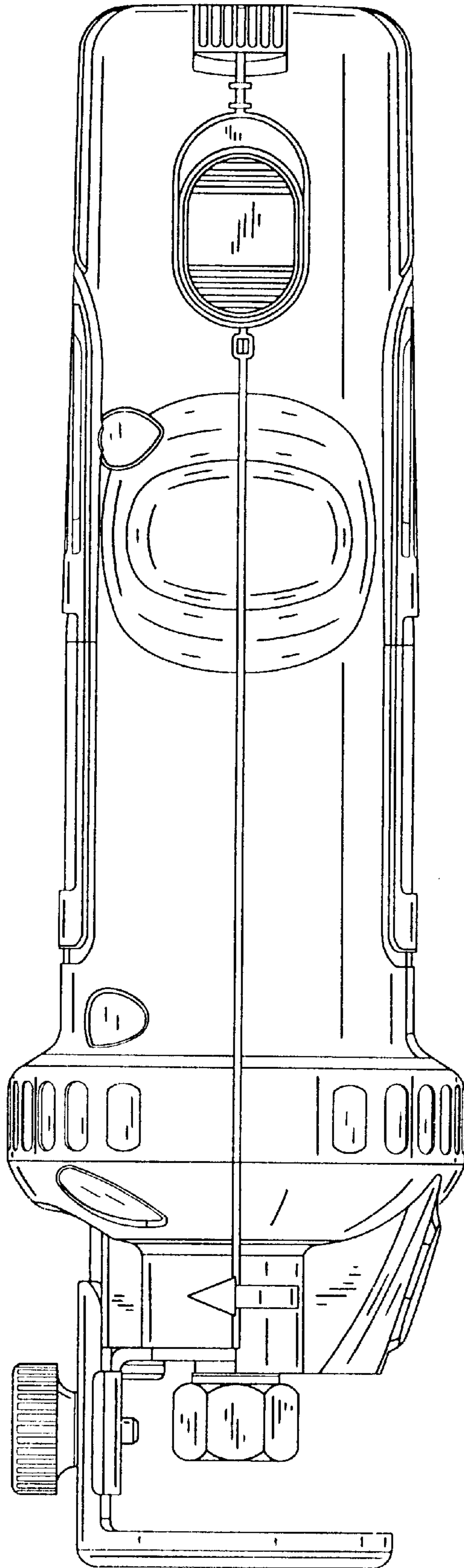


FIG. 3

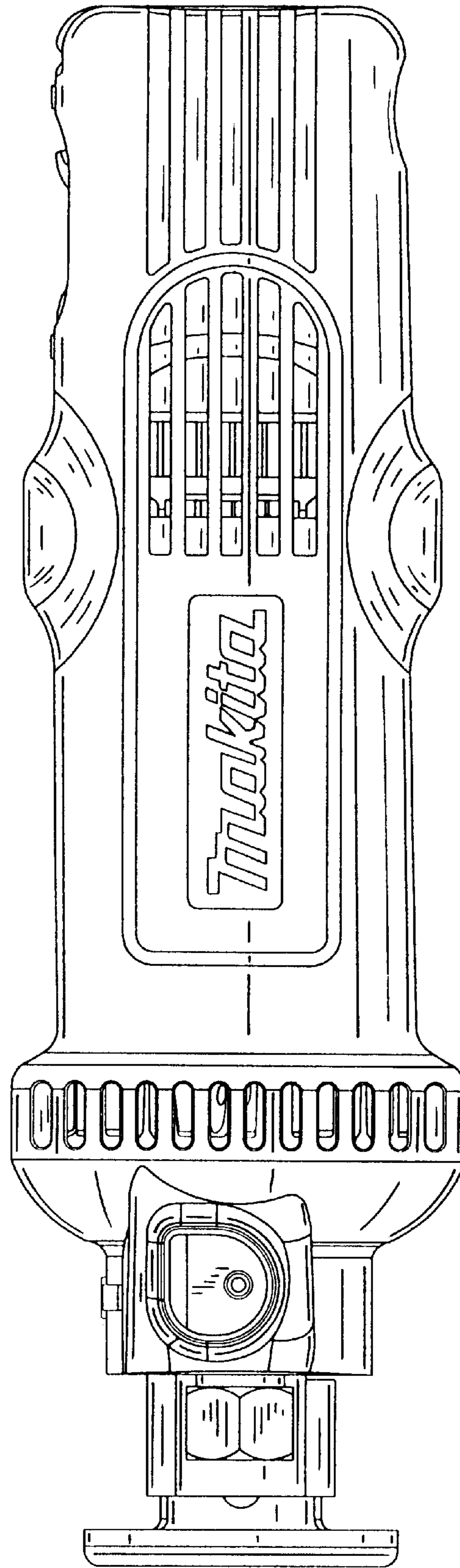


FIG. 4

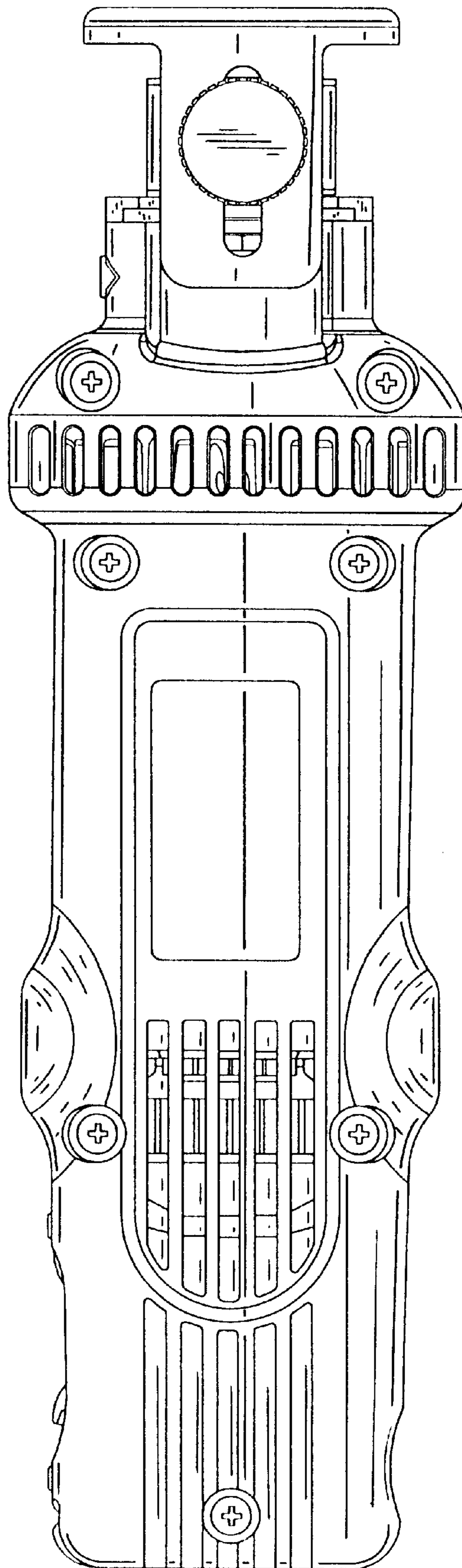


FIG. 6

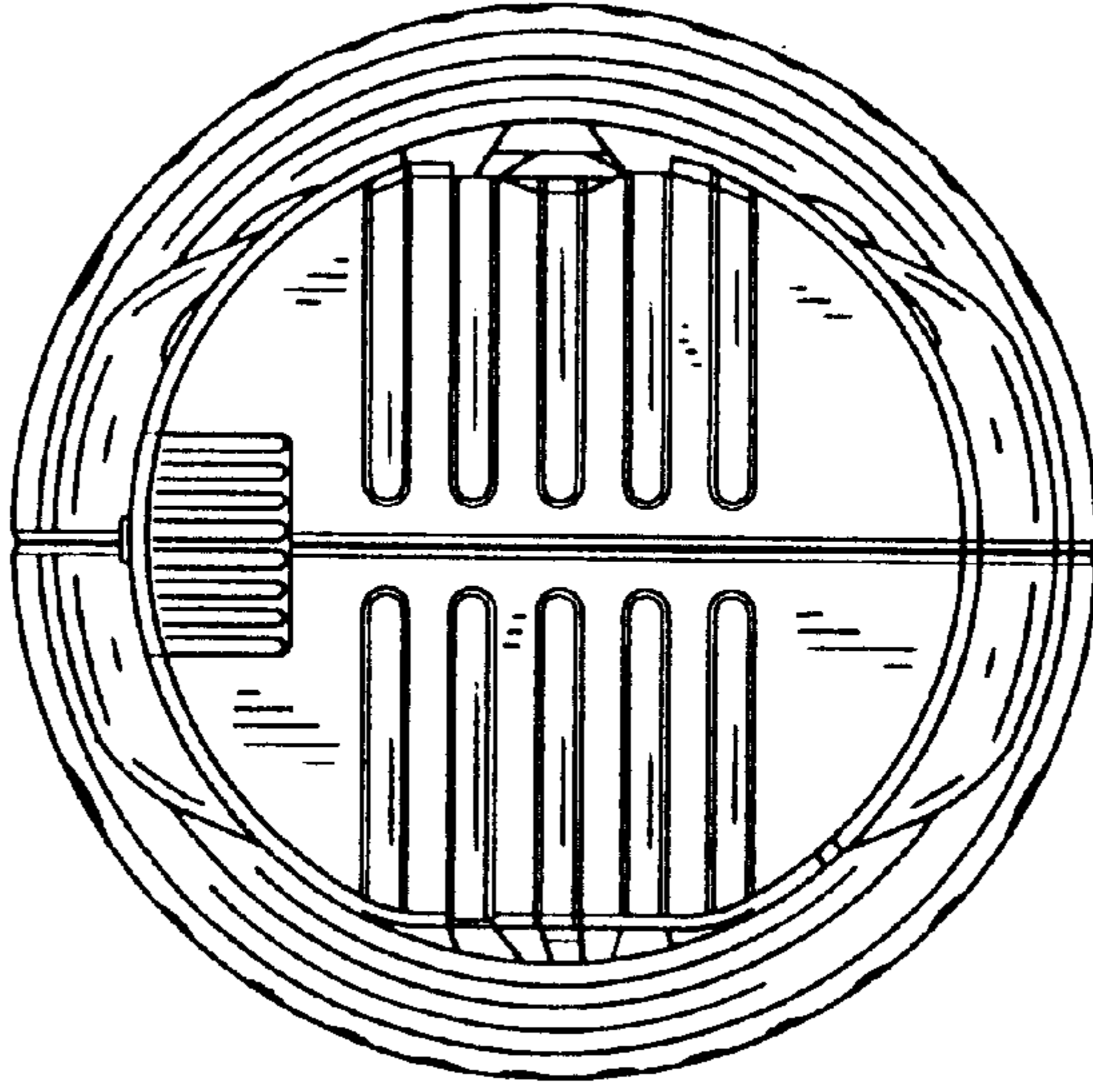


FIG. 5

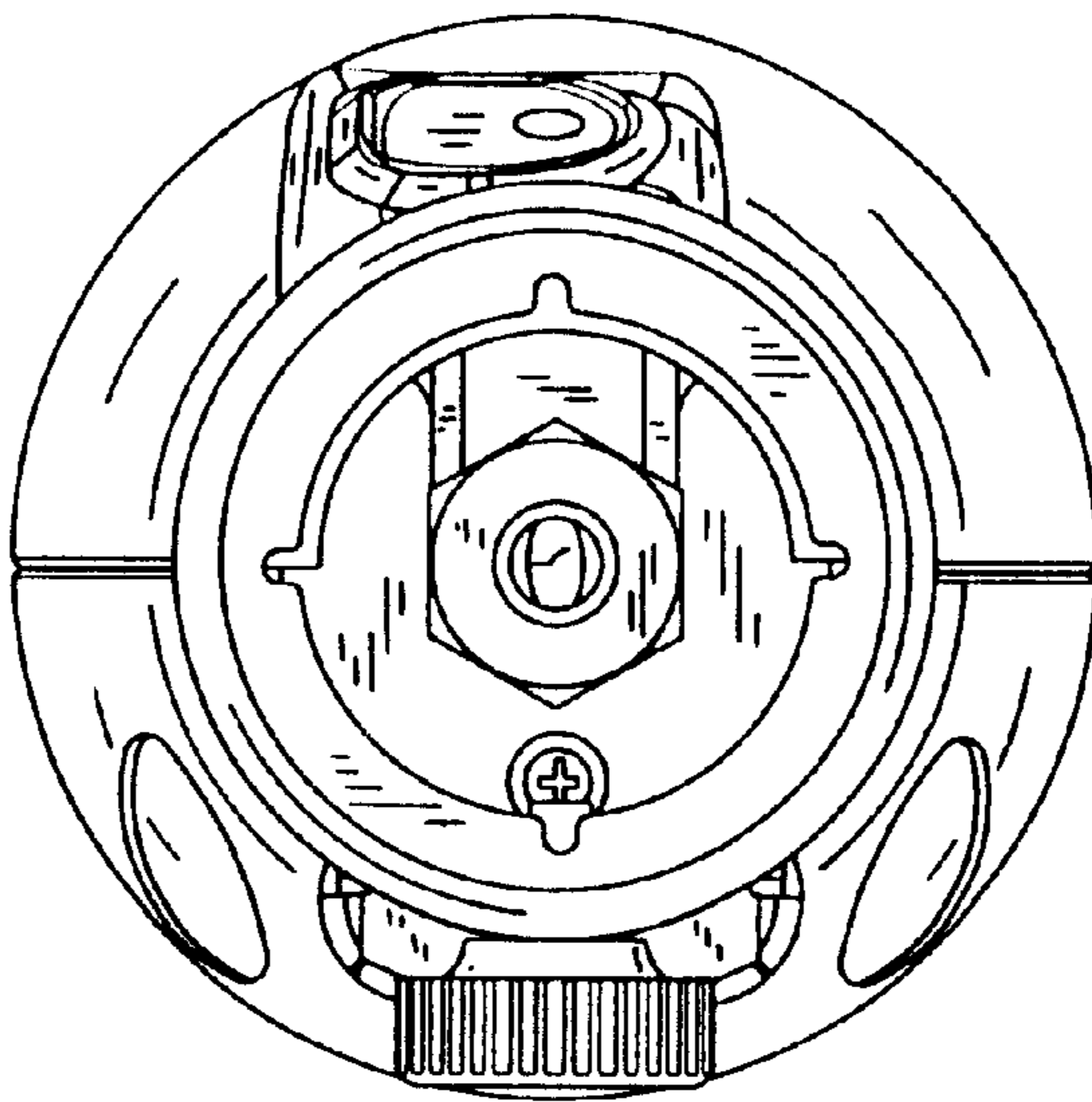


FIG. 7

