



US00D437753S

(12) **United States Design Patent**
Hastings et al.

(10) **Patent No.:** **US D437,753 S**

(45) **Date of Patent:** **** Feb. 20, 2001**

(54) **MULTI-BOTTLE OPENER**

(76) Inventors: **Mark Hastings**, 13145 Madison Ave.;
Jeffery L. Nugent, 13150 Madison Ave., both of Largo, FL (US) 33773

(**) Term: **14 Years**

(21) Appl. No.: **29/126,775**

(22) Filed: **Jul. 24, 2000**

(51) **LOC (7) Cl.** **07-99**

(52) **U.S. Cl.** **D8/18; D8/40**

(58) **Field of Search** D8/33-43, 18,
D8/19; 30/400-443; 81/3.07-3.49; 7/151-156;
D3/207, 208, 210, 211

(56) **References Cited**

U.S. PATENT DOCUMENTS

D. 42,368	*	3/1912	Mossberg	D8/18
D. 51,962	*	4/1918	Januchowsky	D8/18
D. 91,635	*	2/1934	Neumer	D8/18
D. 99,515	*	5/1936	Lesti	D8/18
D. 137,526	*	3/1944	Rashi	D8/40
D. 164,448	*	9/1951	Ransom	D8/18
D. 238,411	*	1/1976	Levenson	D8/18
D. 247,686	*	4/1978	Desjardins	D8/18 X
D. 278,203	*	4/1985	Braukmann	D8/40
D. 318,406	*	7/1991	Gabriele	D8/40
D. 336,023	*	6/1993	Alpers	D8/40
D. 343,778	*	2/1994	Helge	D8/40
D. 347,776	*	6/1994	Brix-Hansen	D8/40
D. 394,790	*	6/1998	Joergensen	D8/33
D. 416,131	*	11/1999	Dafski	D3/211
D. 420,265	*	2/2000	Pierce	D8/40
661,253	*	11/1900	Zimmerman	220/274
1,029,645		6/1912	Vaughn	.	
1,104,025		7/1914	Vaughan	.	

1,899,203	*	2/1933	Labreche	7/151
2,080,947		5/1937	Ligeour	.	
2,430,651	*	11/1947	Shanahan	81/3.55 X
2,568,612		9/1951	Cullen	.	
2,599,968		6/1952	Acard	.	
4,633,740		1/1987	Jacobs	.	
4,846,024		7/1989	Bryant et al.	.	
4,961,239	*	10/1990	Boyd, Sr. et al.	7/118
4,967,622		11/1990	Phillips	.	
5,265,501		11/1993	Reyes	.	

* cited by examiner

Primary Examiner—Jeffrey Asch

(74) *Attorney, Agent, or Firm*—Ronald E. Smith; Smith & Hopen, P.A.

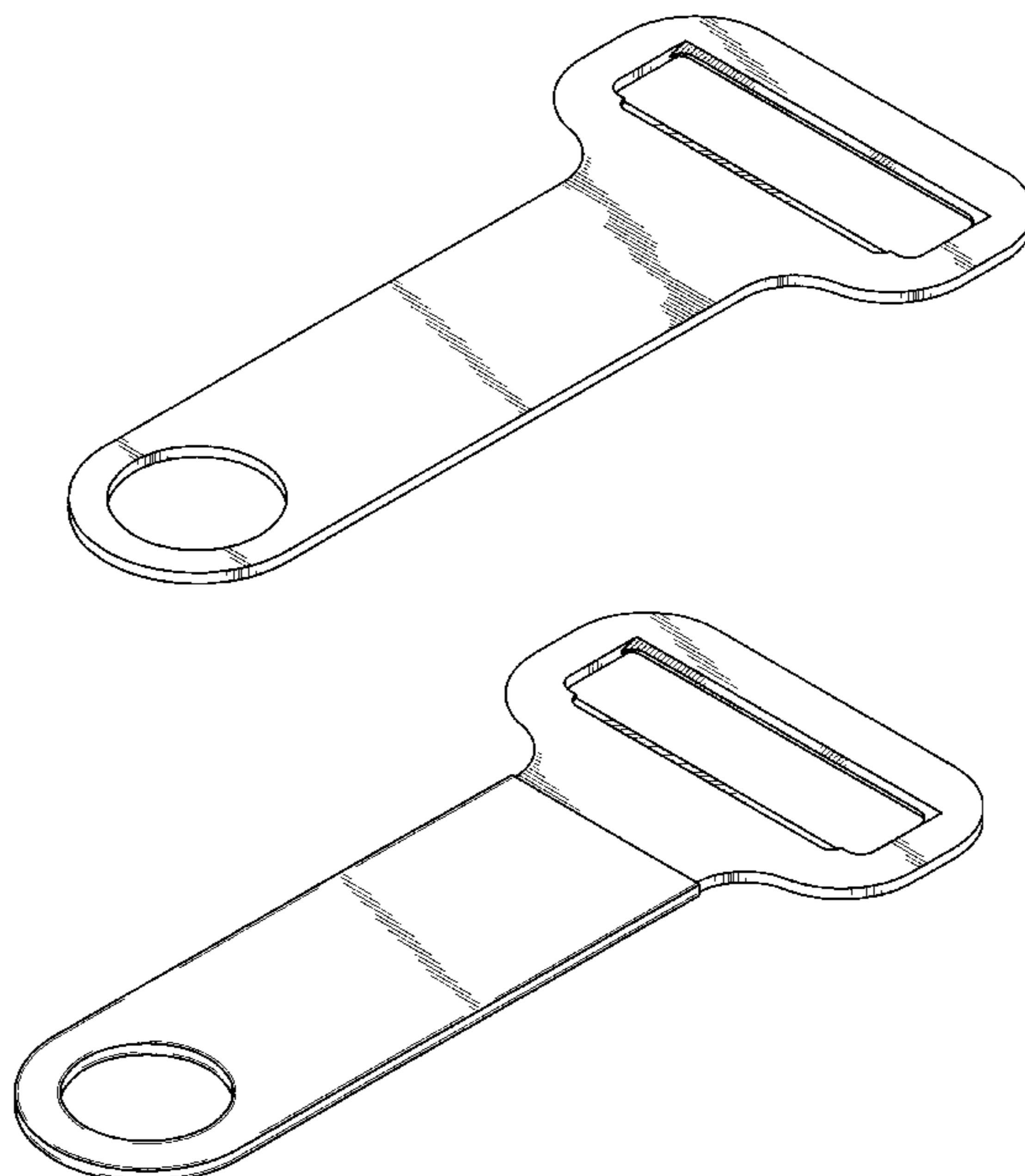
(57) **CLAIM**

The ornamental design for a multi-bottle opener, substantially as shown and described.

DESCRIPTION

FIG. 1 is a perspective view of a first embodiment of the novel multi-bottle opener;
 FIG. 2 is a top plan view of thereof;
 FIG. 3 is a bottom plan view thereof;
 FIG. 4 is a side elevational view thereof;
 FIG. 5 is a front elevational view thereof;
 FIG. 6 is a rear elevational view thereof;
 FIG. 7 is a perspective view of a second embodiment thereof;
 FIG. 8 is a top plan view of thereof;
 FIG. 9 is a bottom plan view thereof;
 FIG. 10 is a side elevational view thereof;
 FIG. 11 is a front elevational view thereof; and,
 FIG. 12 is a rear elevational view thereof.

1 Claim, 6 Drawing Sheets



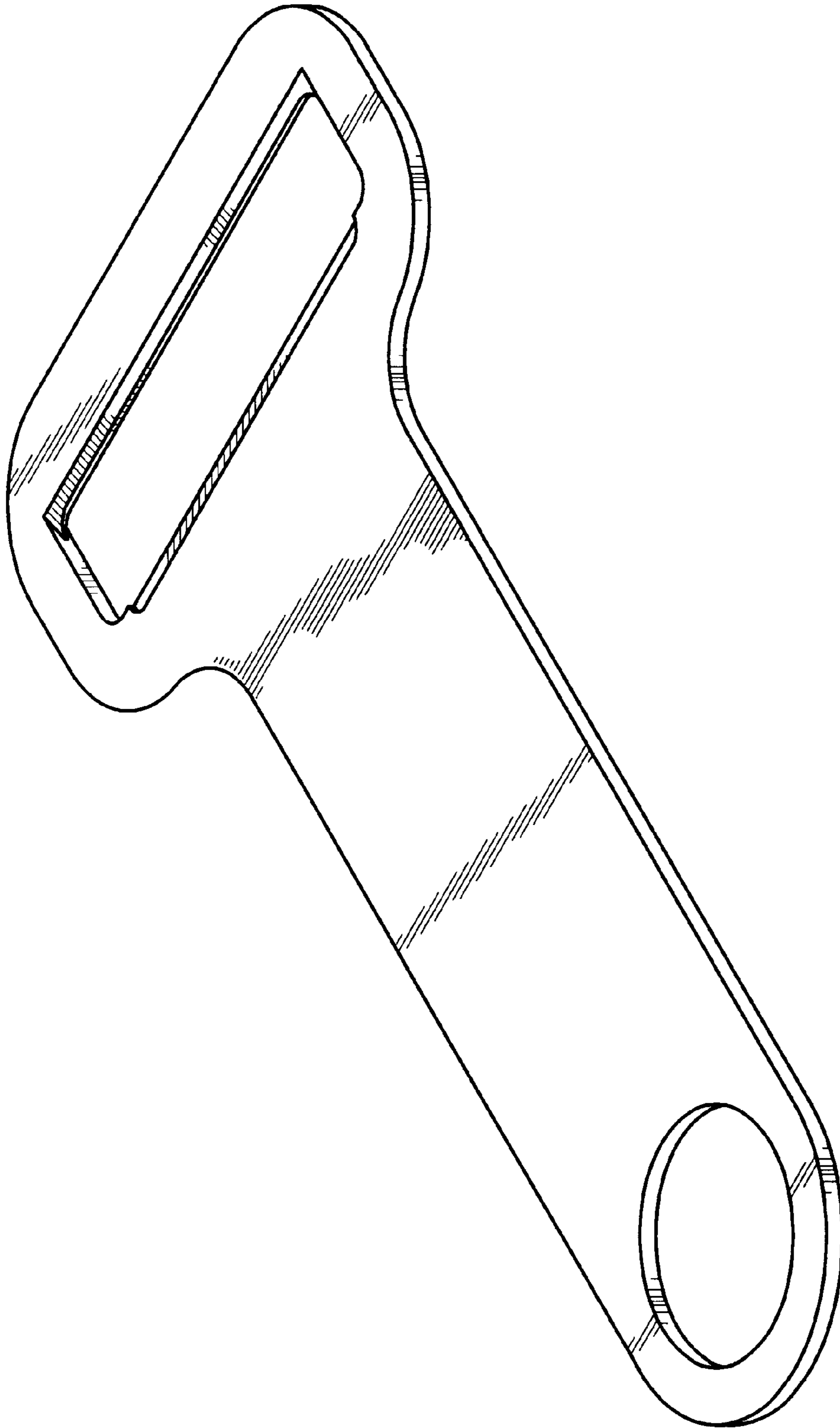


Fig. 1

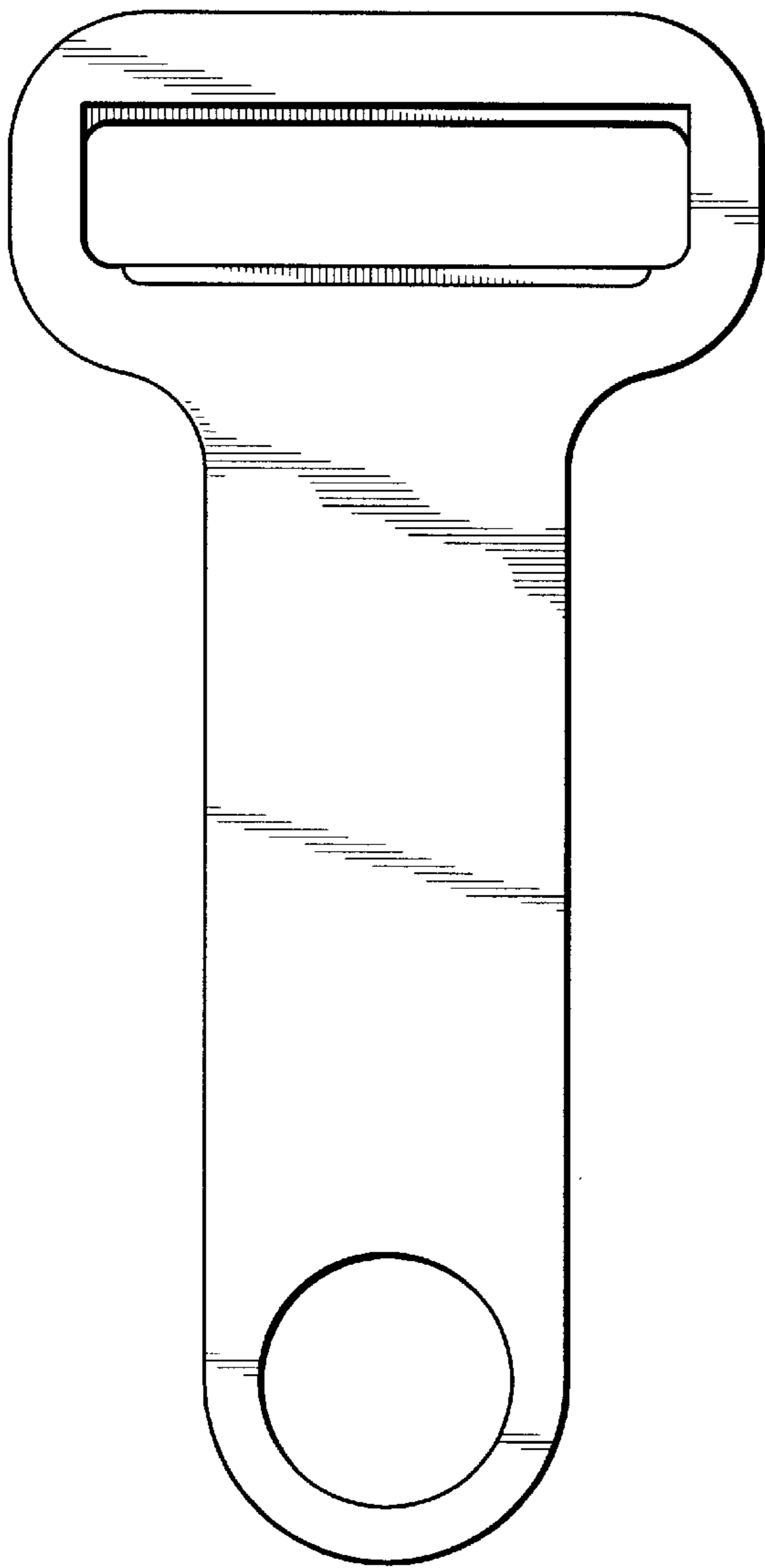


Fig. 2

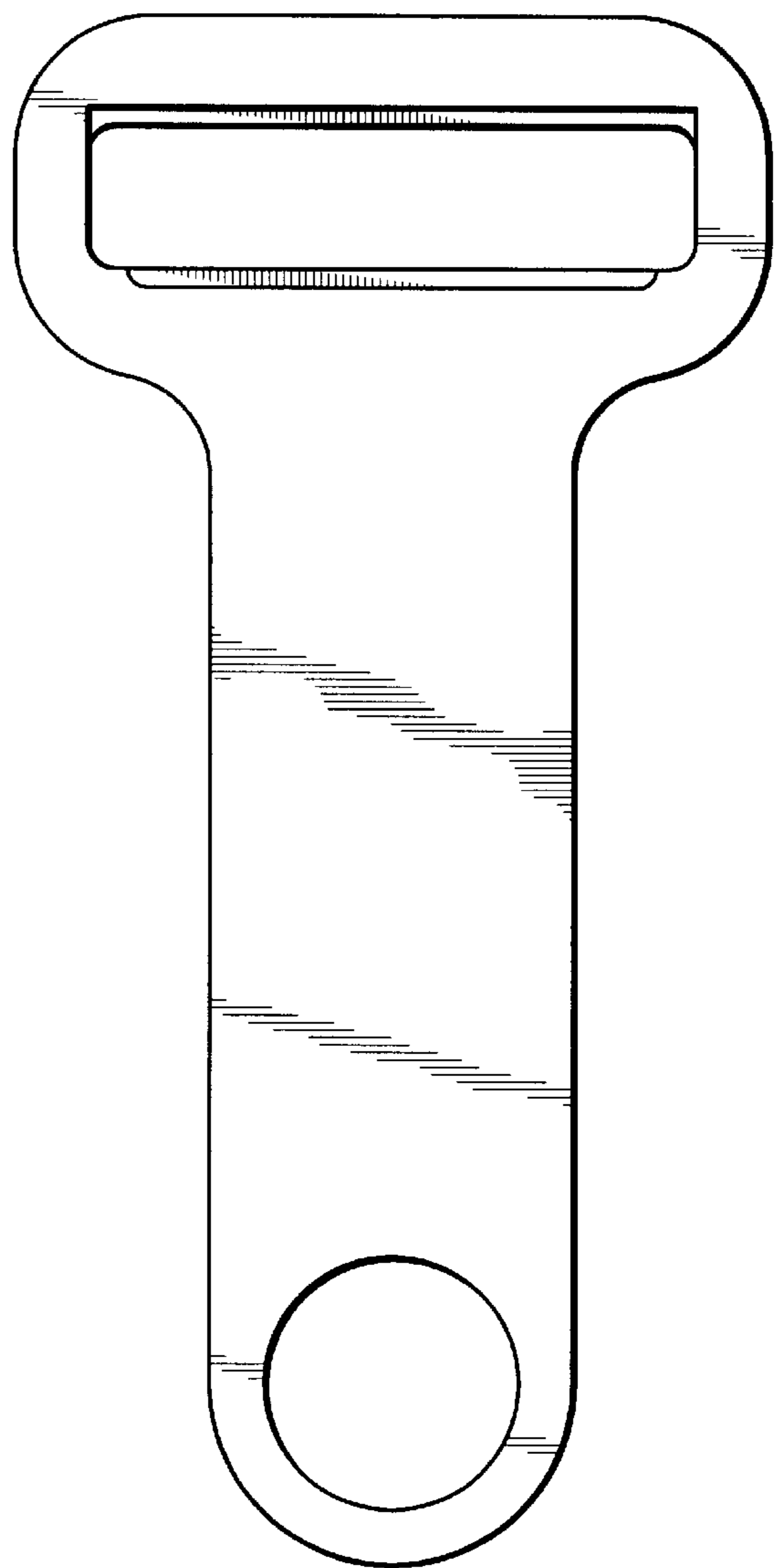


Fig. 3



Fig. 4



Fig. 5



Fig. 6

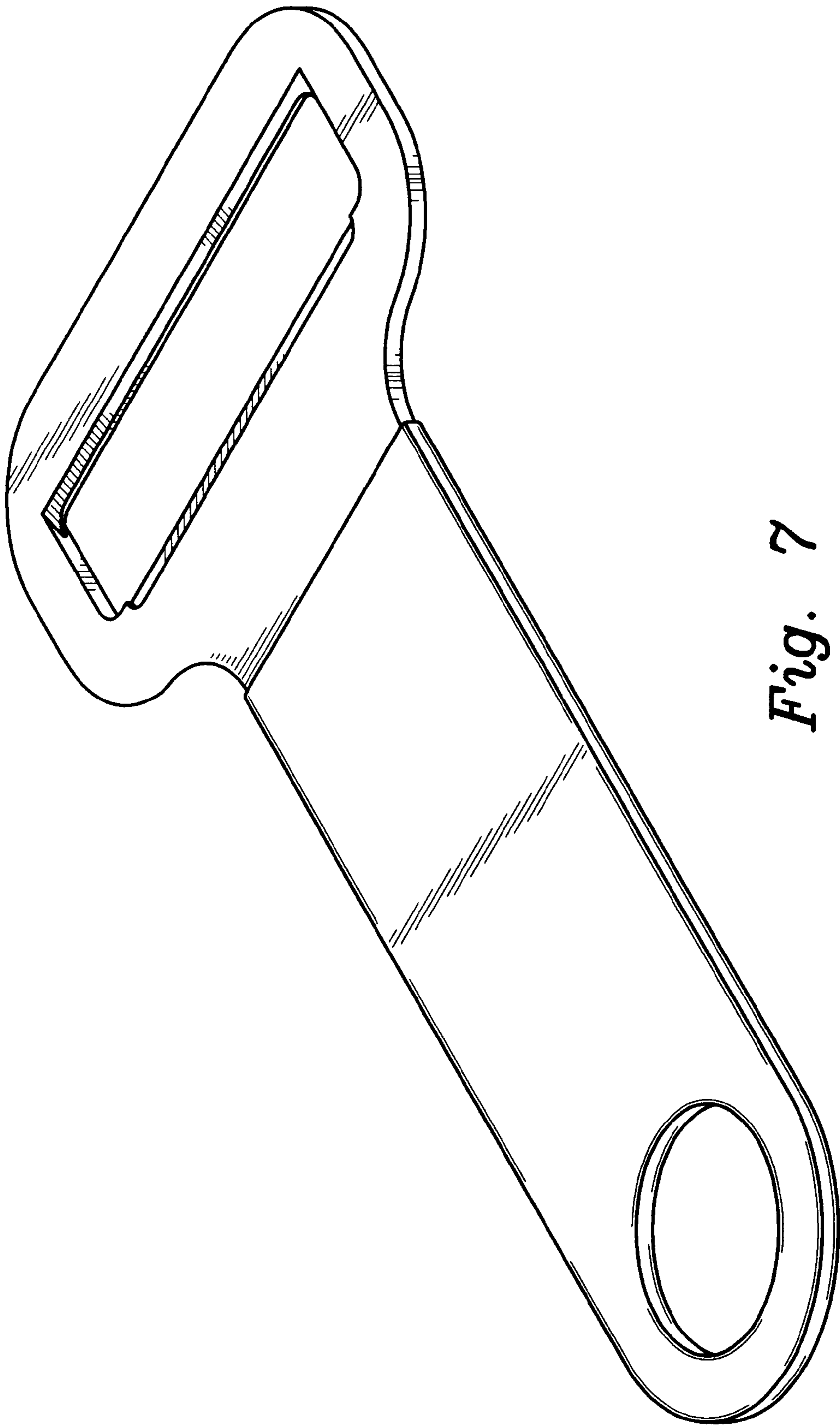


Fig. 7

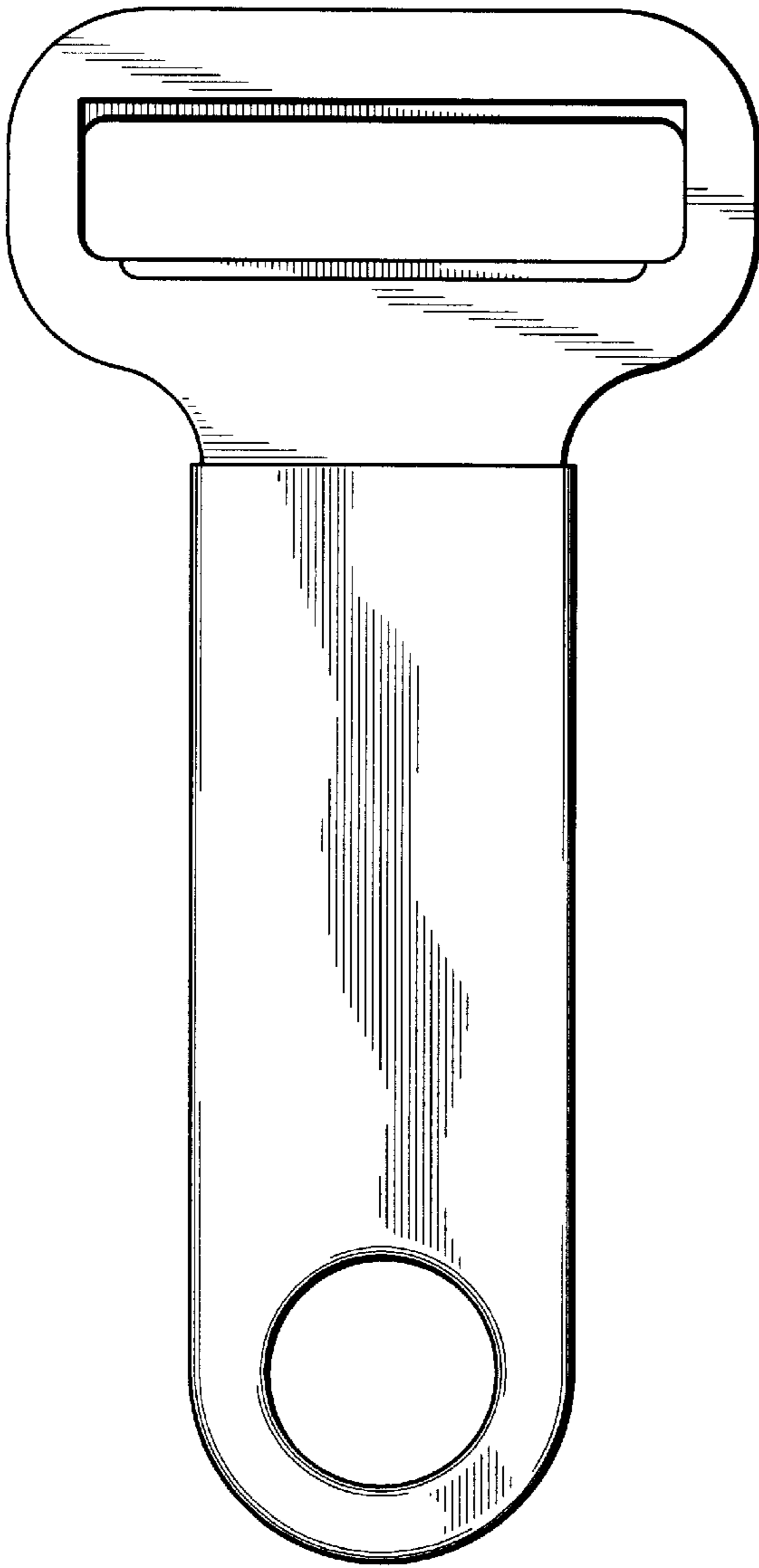


Fig. 8

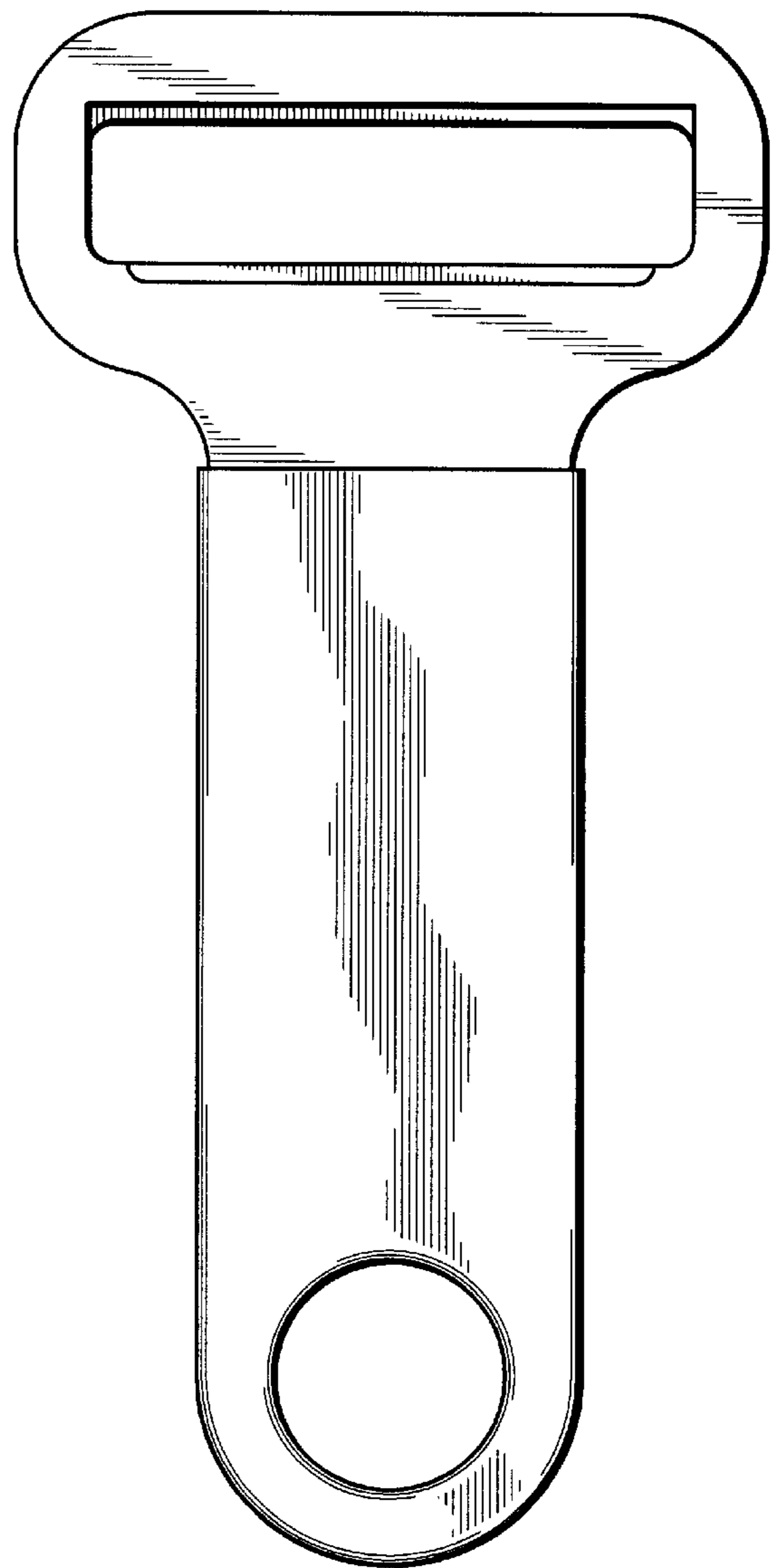


Fig. 9



Fig. 10



Fig. 11



Fig. 12