



US00D437749S

(12) **United States Design Patent**
Kaposi

(10) **Patent No.:** **US D437,749 S**

(45) **Date of Patent:** **** Feb. 20, 2001**

(54) **WAVE SHAPED FOOD CHOPPER**

4,574,479 * 3/1986 Gramann 30/142

(75) Inventor: **Sascha Kaposi**, Seattle, WA (US)

* cited by examiner

(73) Assignee: **Progressive International Corp.**, Kent, WA (US)

Primary Examiner—Terry A. Wallace

(74) *Attorney, Agent, or Firm*—John R. Benefiel

(**) Term: **14 Years**

(57) **CLAIM**

(21) Appl. No.: **29/116,945**

The ornamental design for a wave shaped food chopper, as shown and described.

(22) Filed: **Jan. 13, 2000**

DESCRIPTION

(51) **LOC (7) Cl.** **07-06**

(52) **U.S. Cl.** **D7/693**

(58) **Field of Search** D7/693; D32/46;
D8/14, 16, 47, 88, 89; 30/314–316, 142

FIG. 1 is a front elevation view of a wave shaped food chopper showing my new design;

FIG. 2 is a rear elevation view thereof;

FIG. 3 is a side elevation view thereof, the broken lines showing a nesting straight edge chopper are for illustrative purposes only and form no part of the claimed design;

FIG. 4 is a top plan view thereof; and,

FIG. 5 is a bottom plan view thereof.

(56) **References Cited**

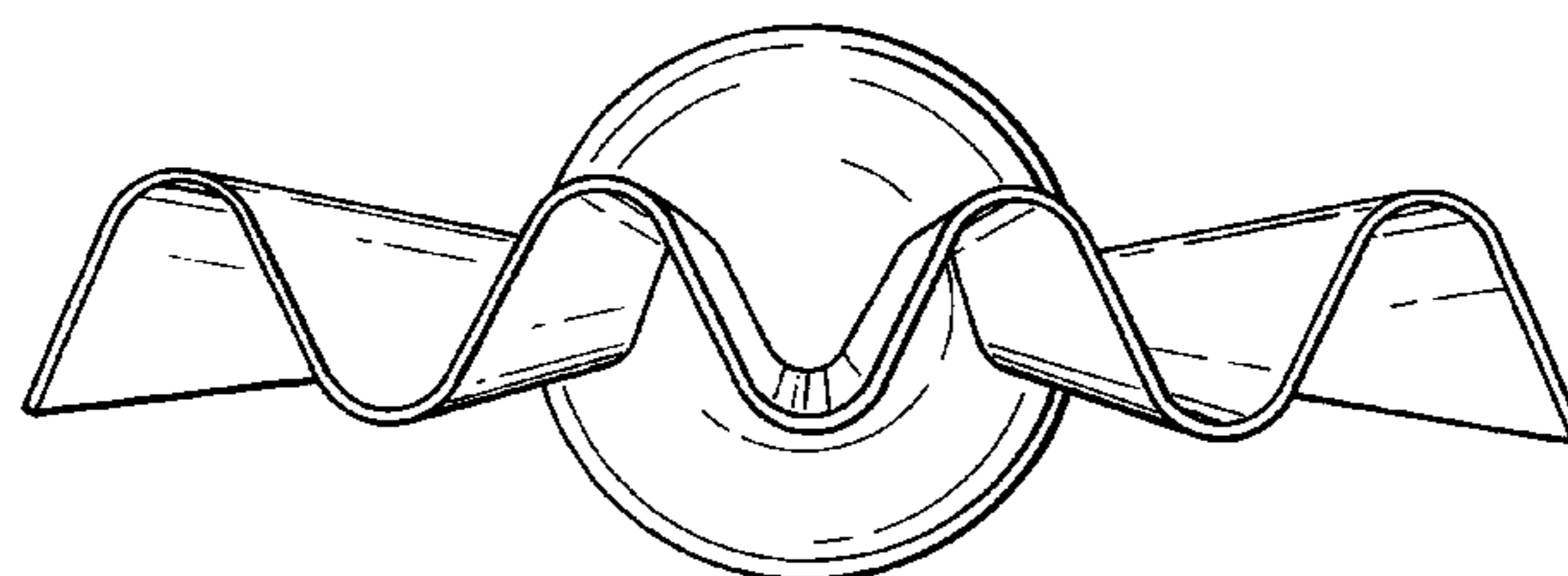
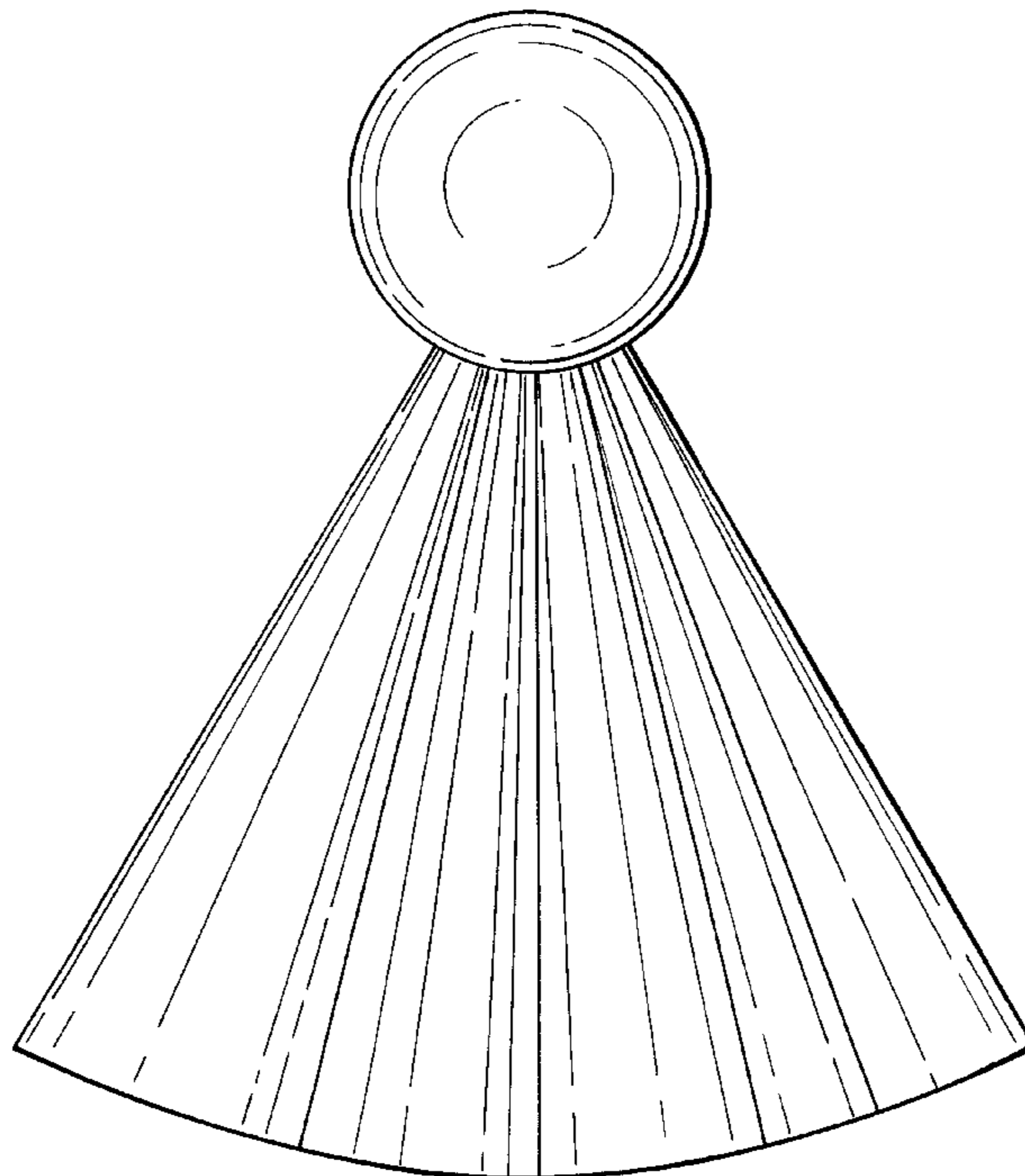
U.S. PATENT DOCUMENTS

1,504,501 * 8/1924 Pope 30/312

2,309,814 * 2/1943 Youngberg 30/315 X

4,457,070 * 7/1984 Reeves 30/314

1 Claim, 2 Drawing Sheets



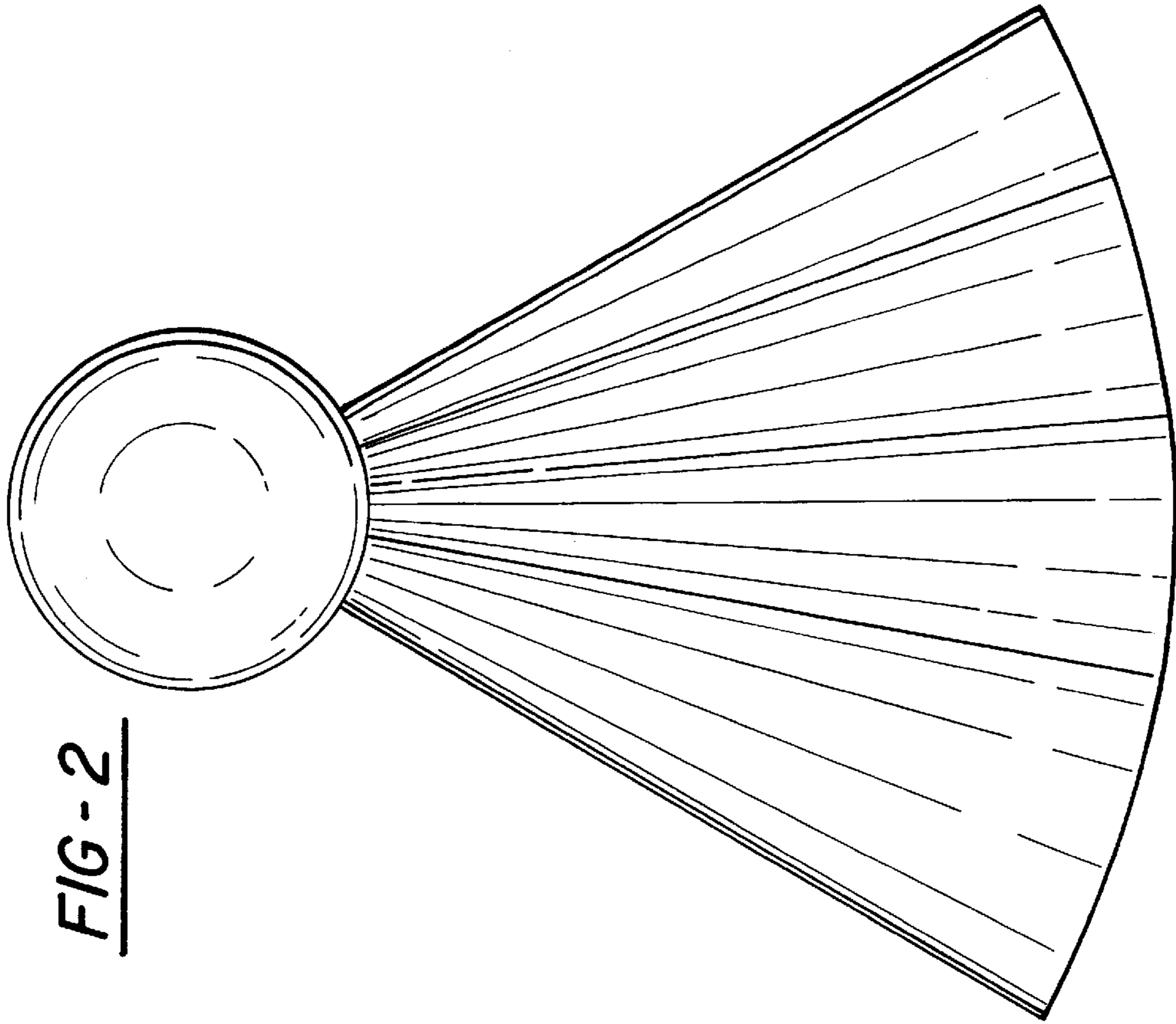


FIG-2

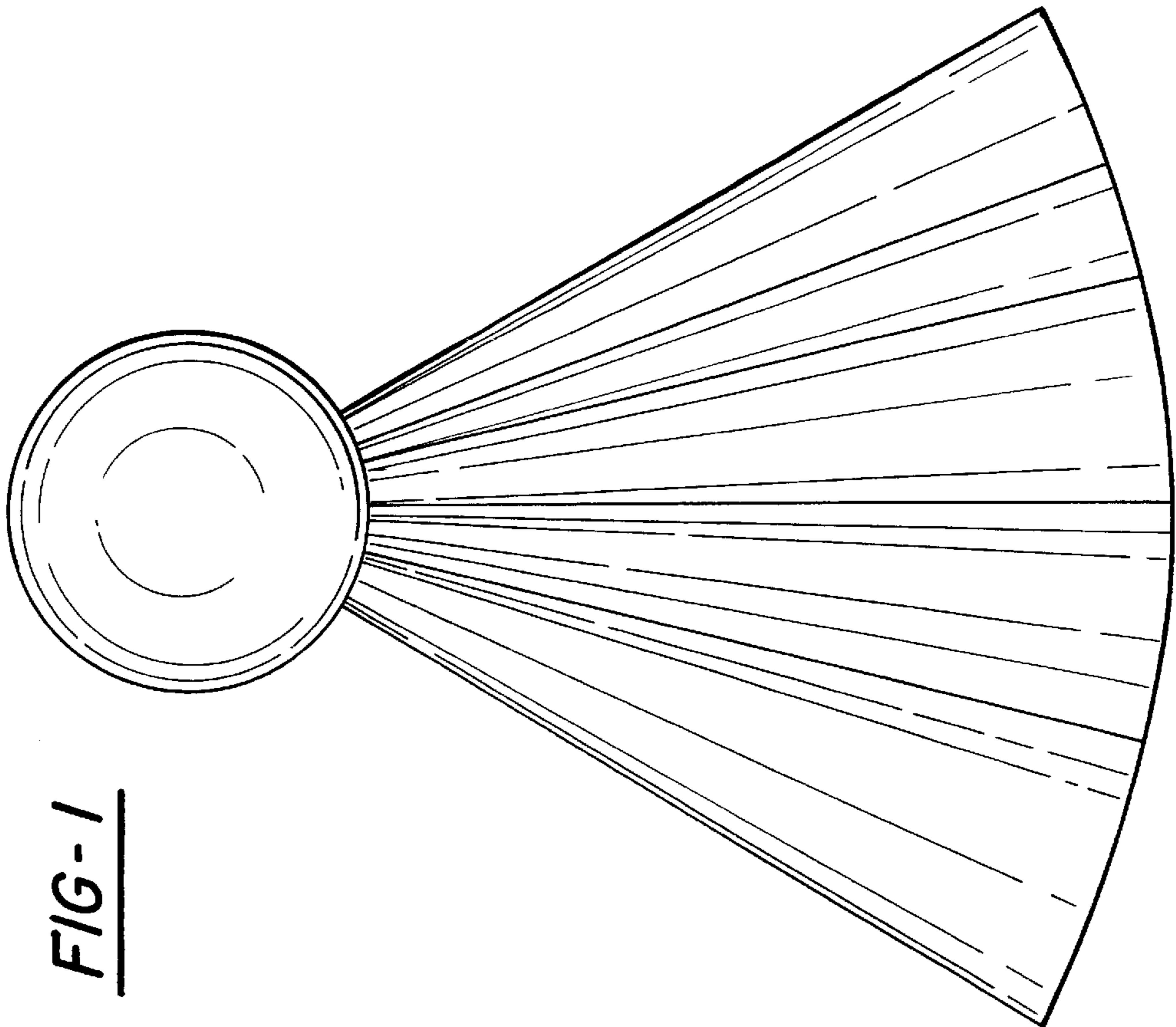


FIG-1

FIG-4

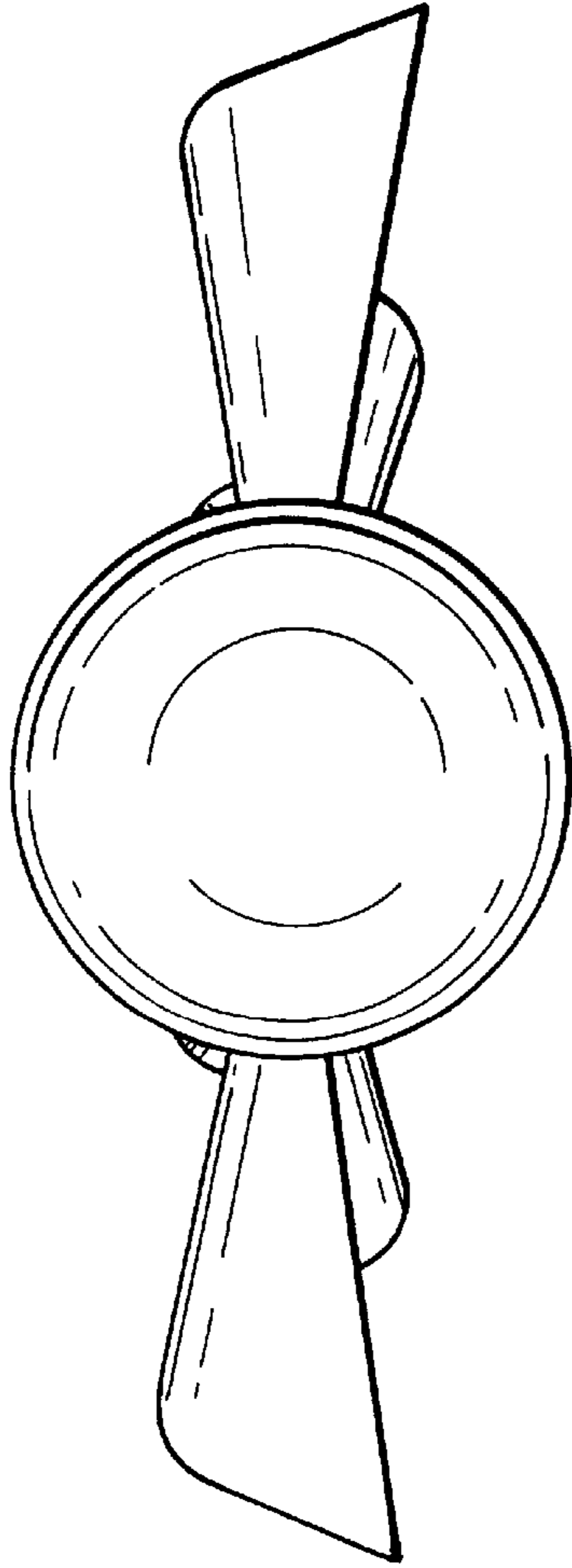


FIG-5

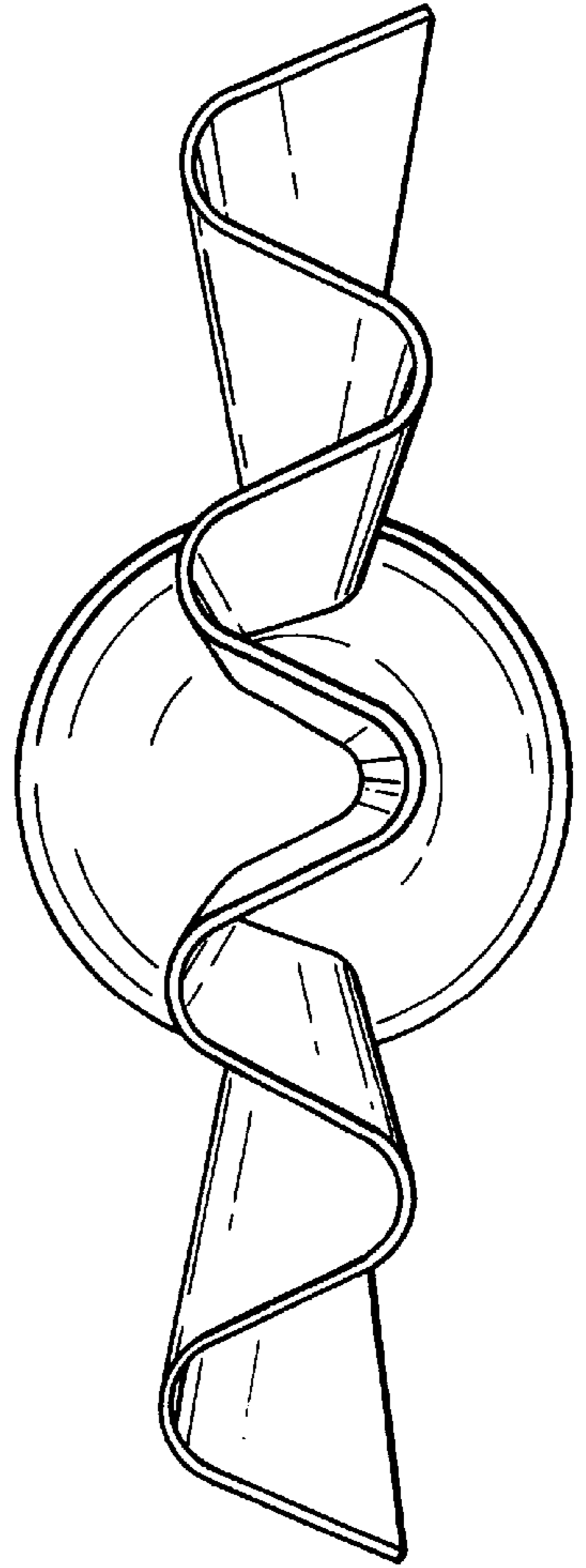


FIG-3

