



US00D437747S

(12) **United States Design Patent**
Kwok

(10) **Patent No.:** **US D437,747 S**

(45) **Date of Patent:** **** Feb. 20, 2001**

(54) **POTATO MASHER**

2,442,353 * 6/1948 Gordean 241/169.2
3,858,320 * 1/1975 Neal et al. 30/326

(75) Inventor: **Jimmy Ngok Wing Kwok, Kowloon (CN)**

* cited by examiner

(73) Assignee: **Golden Sun Housewares Manufacturing Ltd., Hong Kong (CN)**

Primary Examiner—Terry A. Wallace

(74) *Attorney, Agent, or Firm*—Alix, Yale & Ristas, LLP

(**) Term: **14 Years**

(57) **CLAIM**

(21) Appl. No.: **29/121,167**

The ornamental design for a potato masher, as shown and described.

(22) Filed: **Mar. 31, 2000**

DESCRIPTION

(51) **LOC (7) Cl.** **07-04**

FIG. 1 is a front perspective view of the potato masher showing my new design;

(52) **U.S. Cl.** **D7/682**

FIG. 2 is a front view of the potato masher of FIG. 1;

(58) **Field of Search** D7/682-696; 30/322, 30/324, 346, 326, 327; 241/168, 169.2

FIG. 3 is a rear view of the potato masher of FIG. 1;

FIG. 4 is a left side view of the potato masher of FIG. 1;

FIG. 5 is a right side view of the potato masher of FIG. 1;

FIG. 6 is a top plan view of the potato masher of FIG. 1; and,

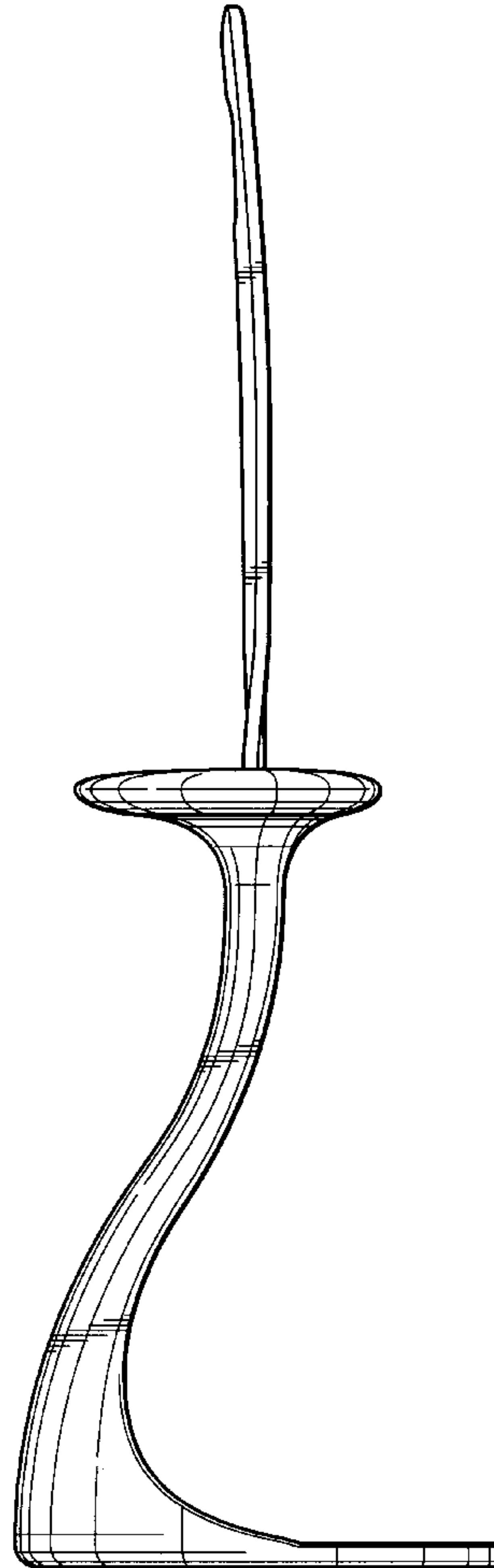
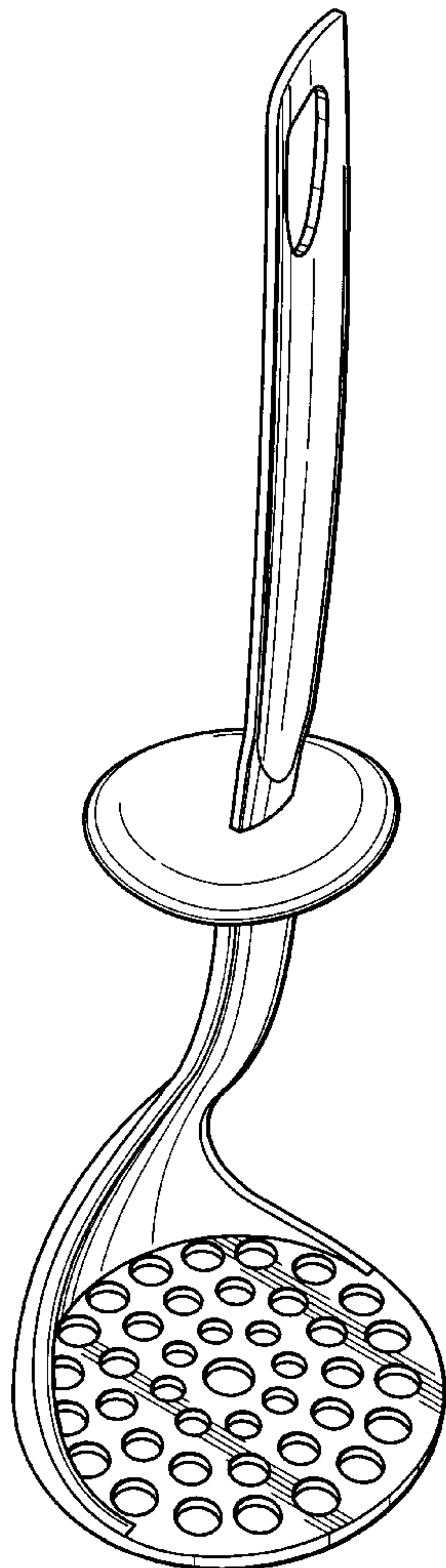
FIG. 7 is a bottom plan view of the potato masher of FIG. 1.

(56) **References Cited**

U.S. PATENT DOCUMENTS

D. 26,633 * 2/1897 Strebeck D7/683
D. 293,066 * 12/1987 Ferm et al. D7/692
1,353,520 * 9/1920 Defenbaugh 241/169.2

1 Claim, 4 Drawing Sheets



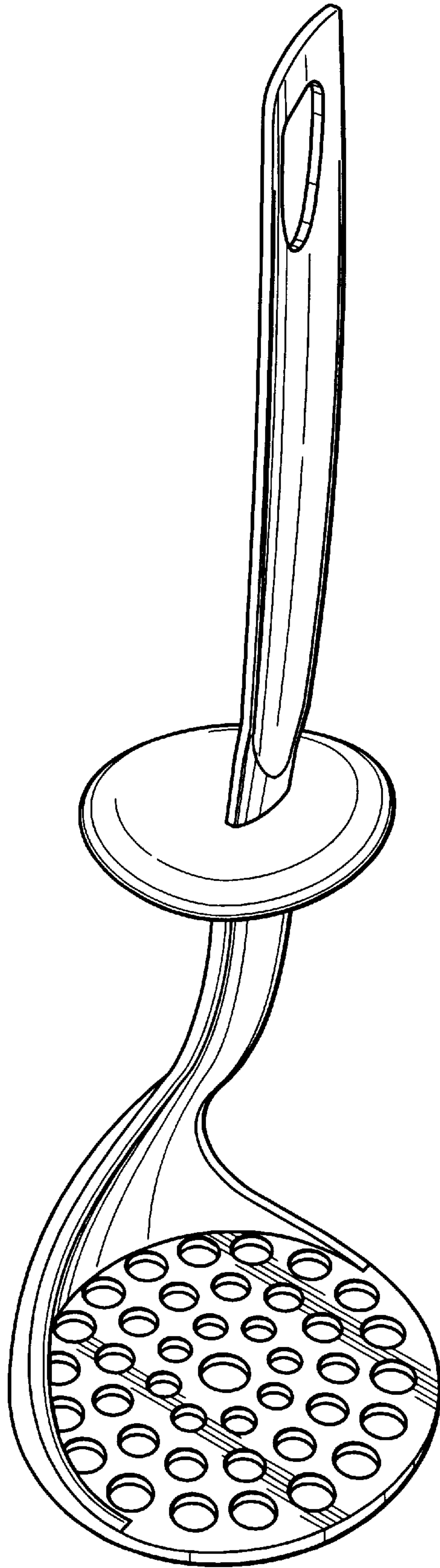


FIG. 1

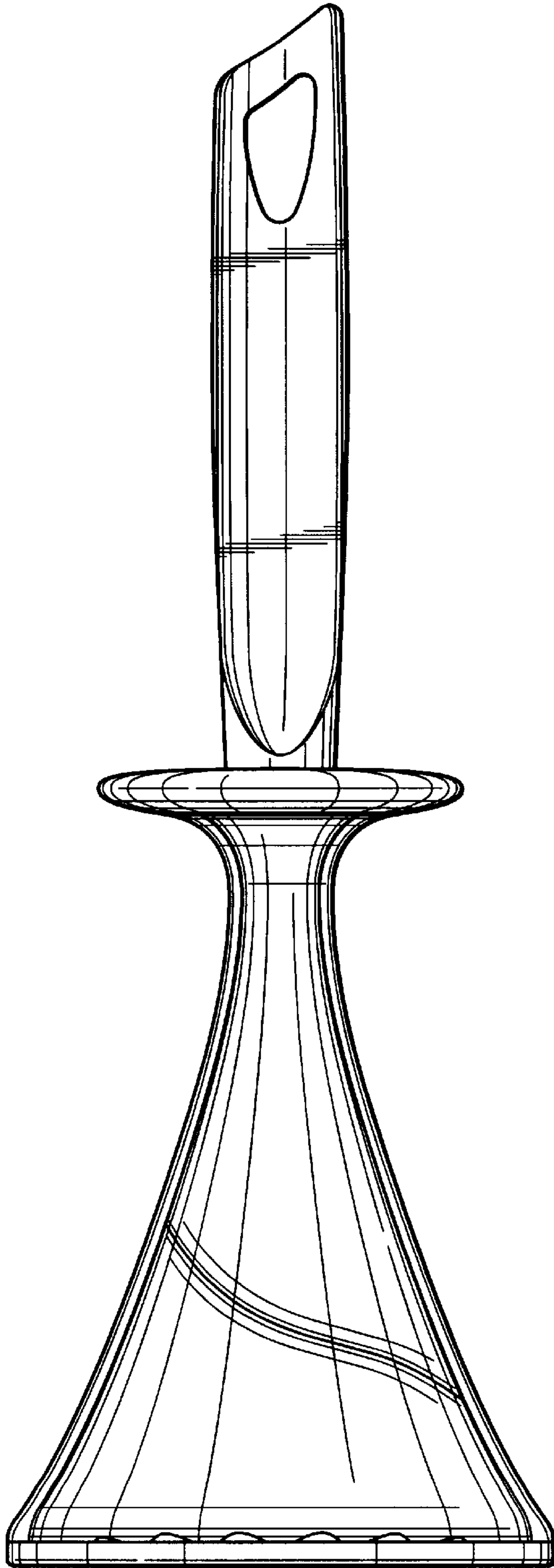


FIG. 2

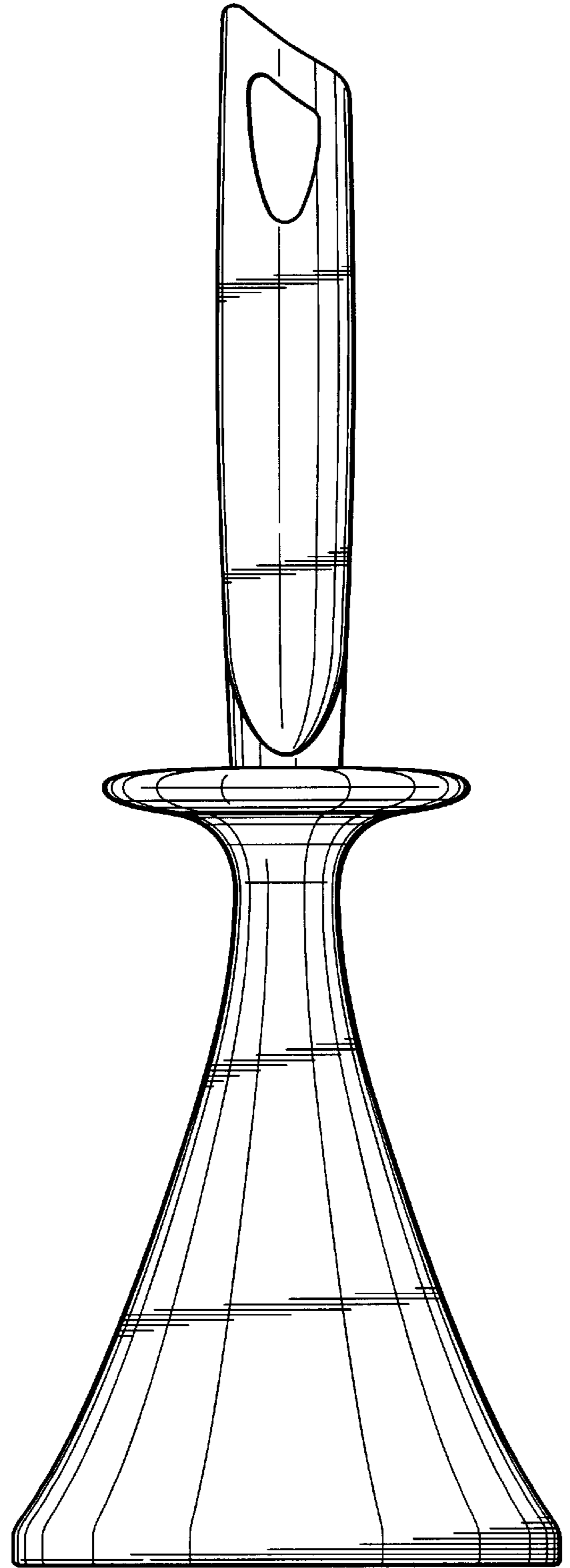


FIG. 3

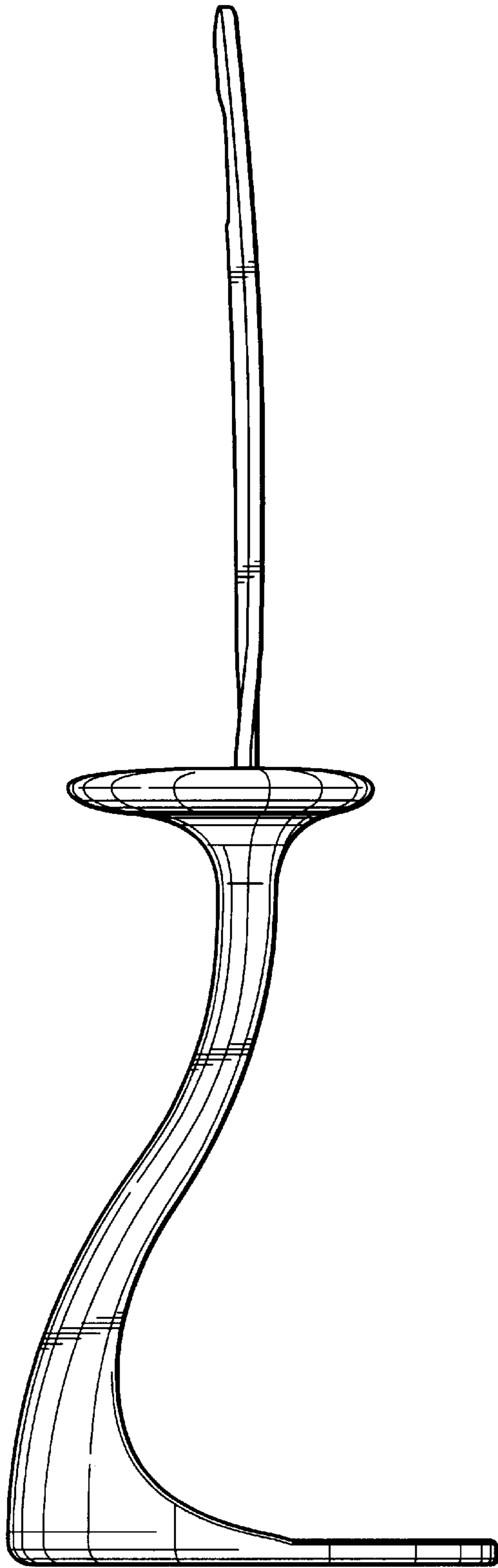


FIG. 4

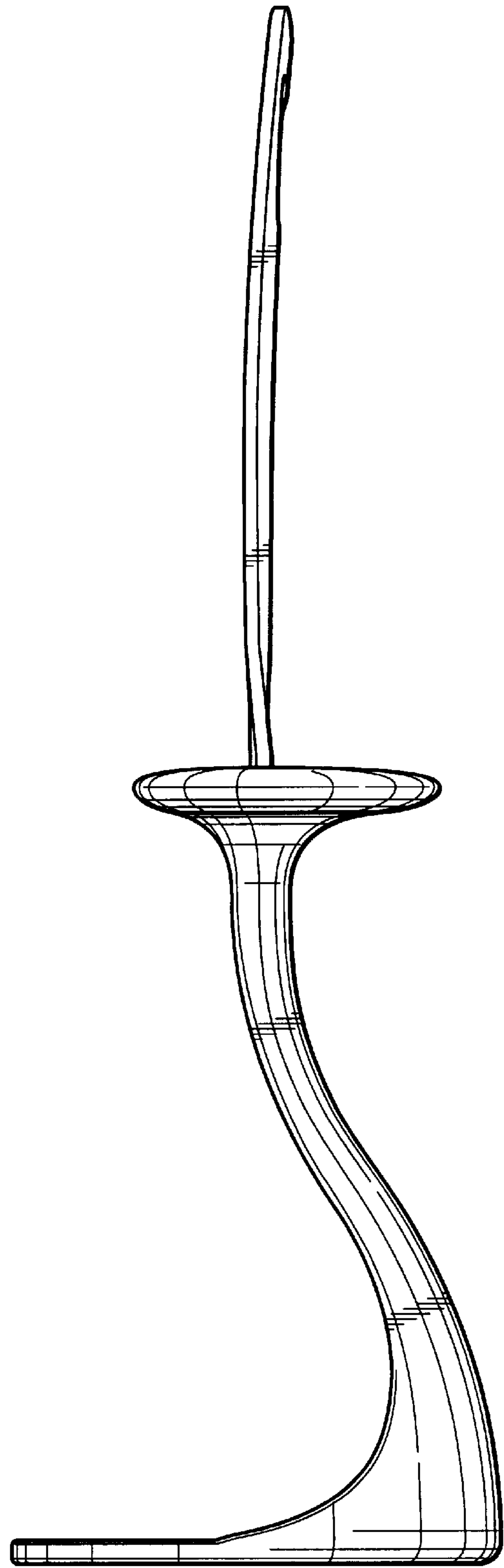


FIG. 5

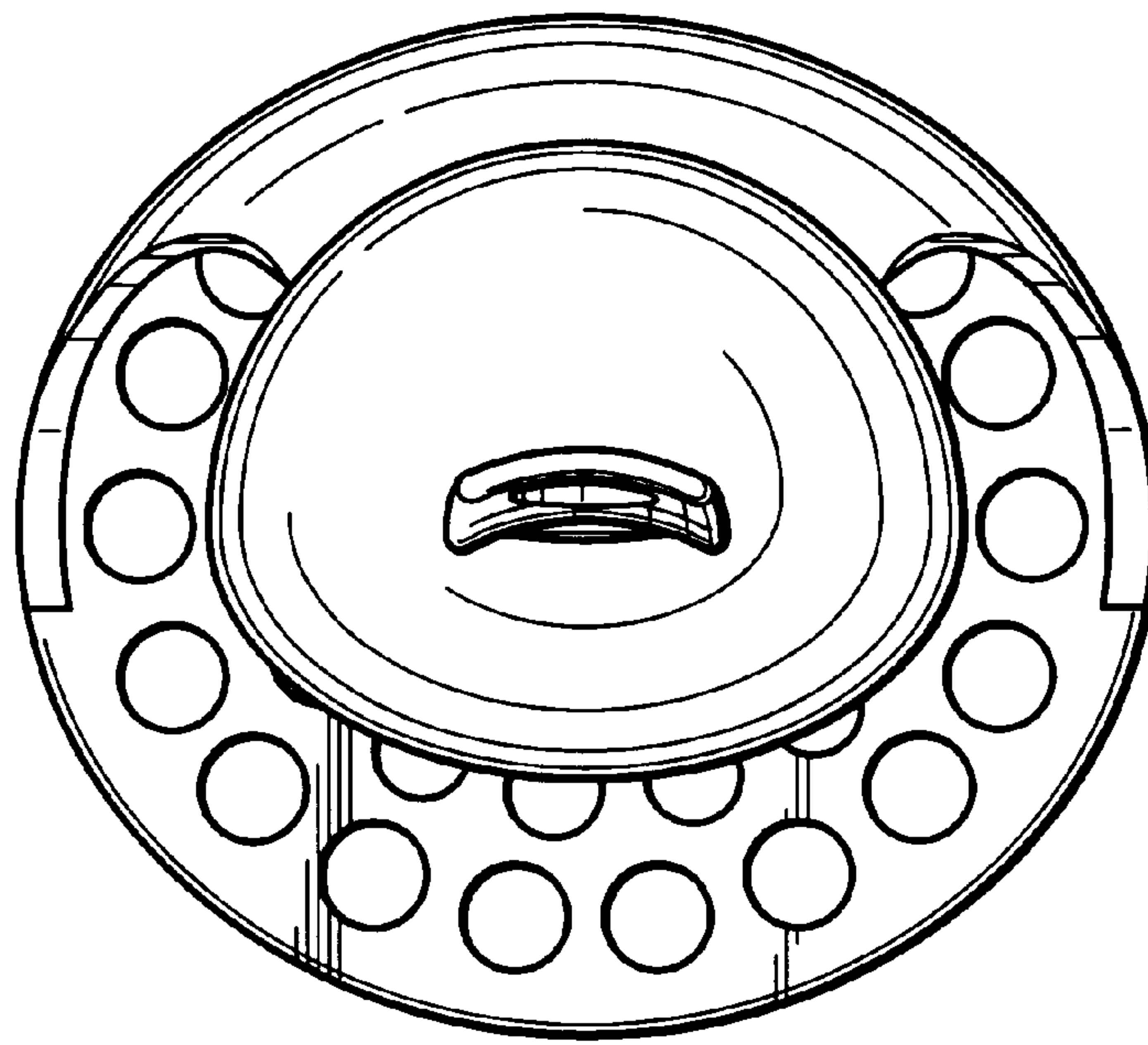


FIG. 6

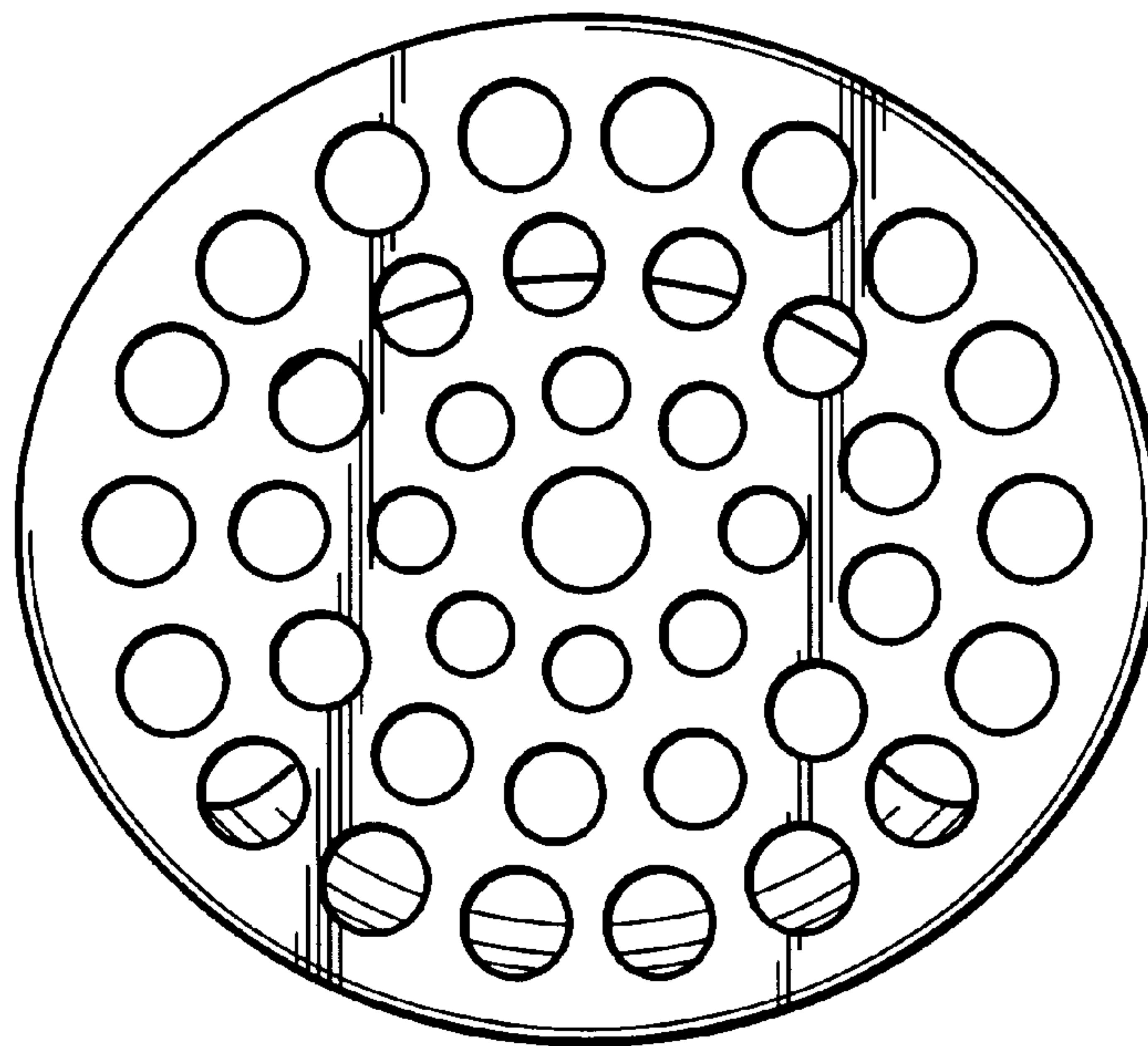


FIG. 7