



US00D437745S

(12) **United States Design Patent**
Young et al.

(10) **Patent No.:** **US D437,745 S**

(45) **Date of Patent:** **** Feb. 20, 2001**

(54) **CONDIMENT DISPENSER**

D. 336,822 * 6/1993 Ancona et al. D7/596

(75) Inventors: **Michael W. K. Young**, Astoria; **Wei Young**, Flushing, both of NY (US)

* cited by examiner

Primary Examiner—Terry A. Wallace

(74) *Attorney, Agent, or Firm*—John R. Benefiel

(73) Assignee: **Progressive International Corporation**, Kent, WA (US)

(57) **CLAIM**

(**) Term: **14 Years**

The ornamental design for a condiment dispenser, as shown and described.

(21) Appl. No.: **29/117,066**

DESCRIPTION

(22) Filed: **Jan. 14, 2000**

FIG. 1 is a perspective view of a condiment dispenser according to the present invention.

(51) **LOC (7) Cl.** **07-04**

FIG. 2 is a front view of the invention shown in FIG. 1.

(52) **U.S. Cl.** **D7/679**

FIG. 3 is a top view of the invention shown in FIGS. 1 and 2.

(58) **Field of Search** D7/679; 222/142.1-142.9; 241/168, 169, 169.1

FIG. 4 is a rear view of the condiment dispenser according to the invention shown in FIGS. 1-3; and,

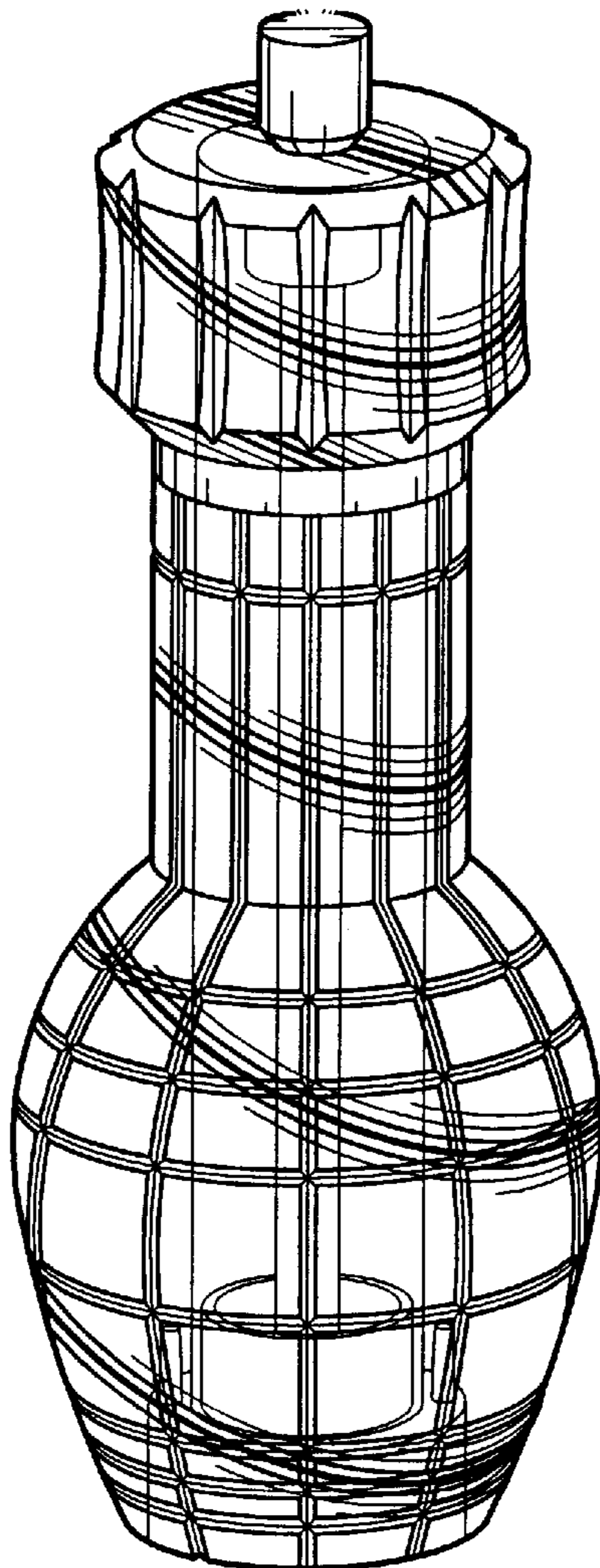
FIG. 5 is a bottom view of the condiment dispenser according to the invention shown in FIGS. 1-4.

(56) **References Cited**

U.S. PATENT DOCUMENTS

D. 187,811 * 5/1960 Happenstall D7/597

1 Claim, 2 Drawing Sheets



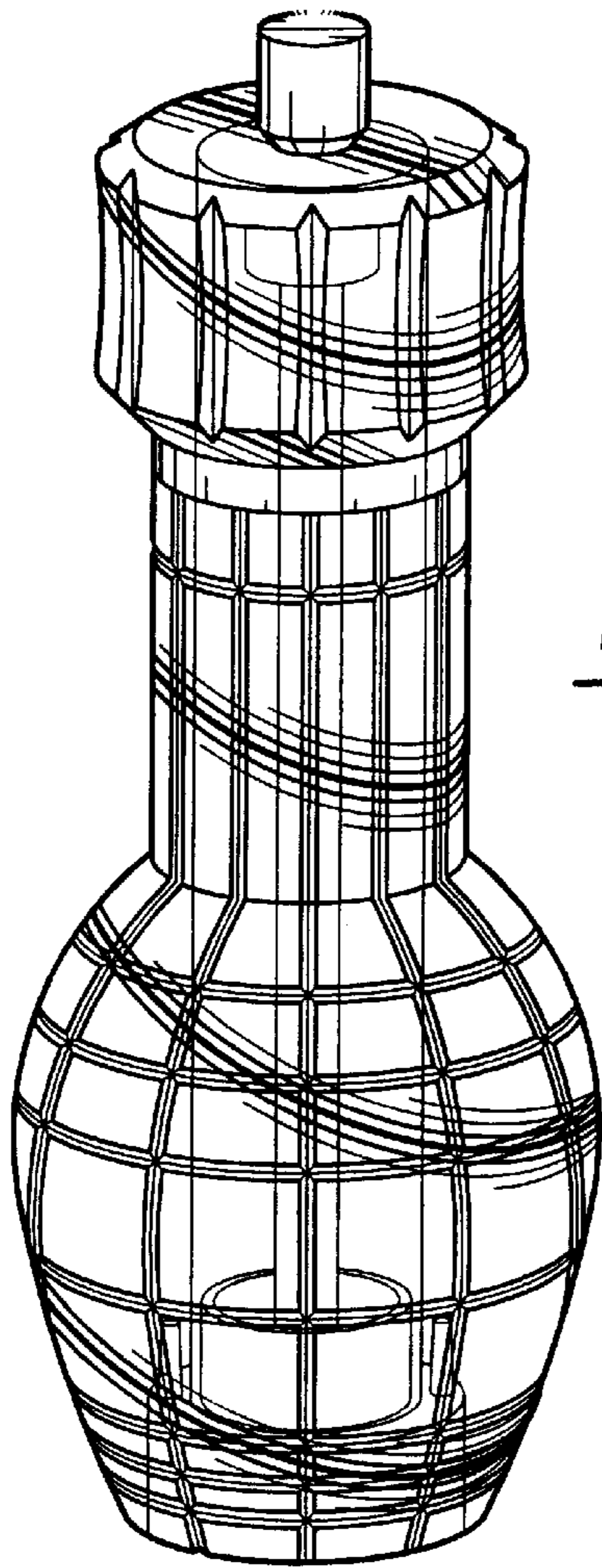


Figure 1

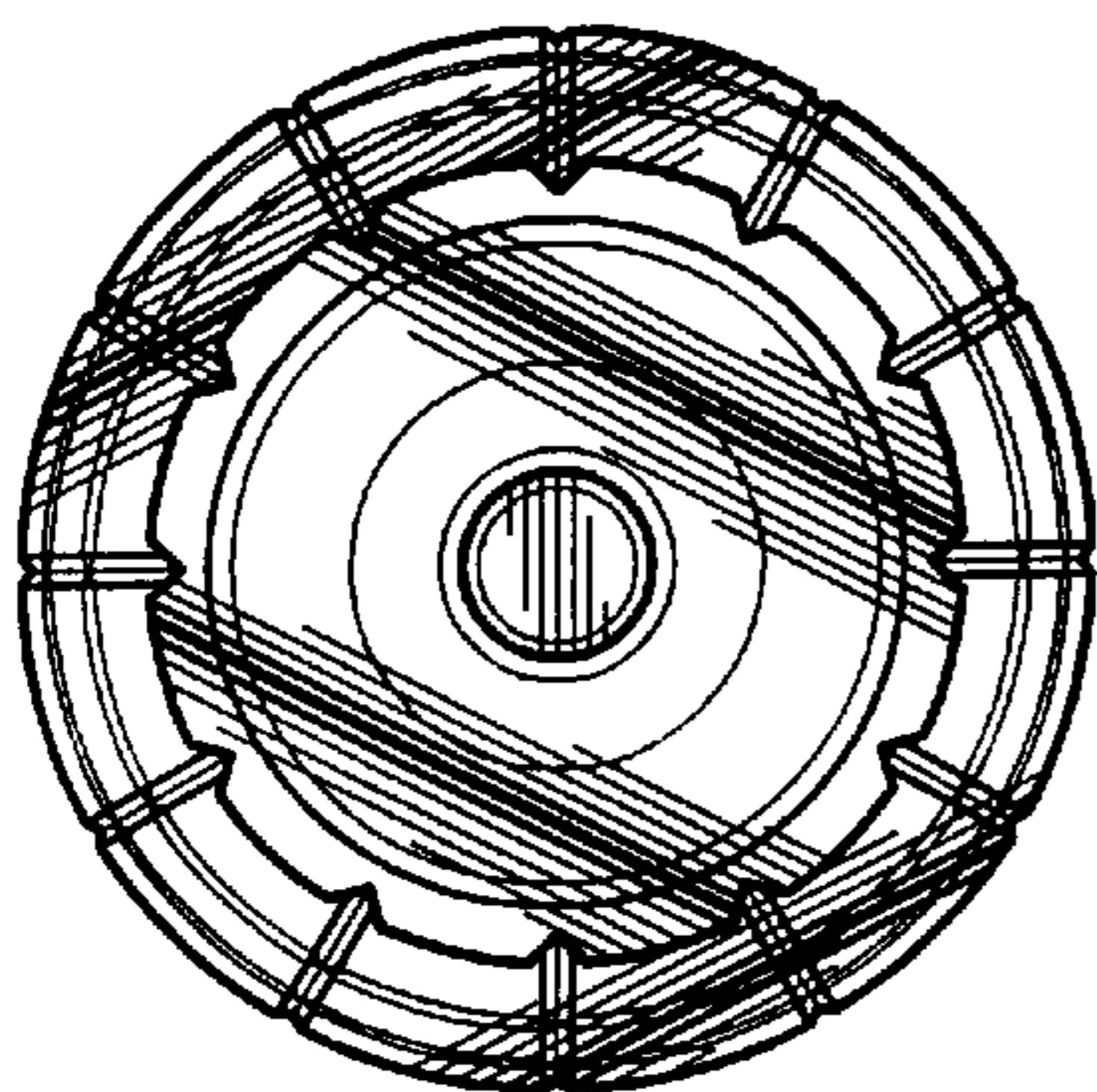


Figure 3

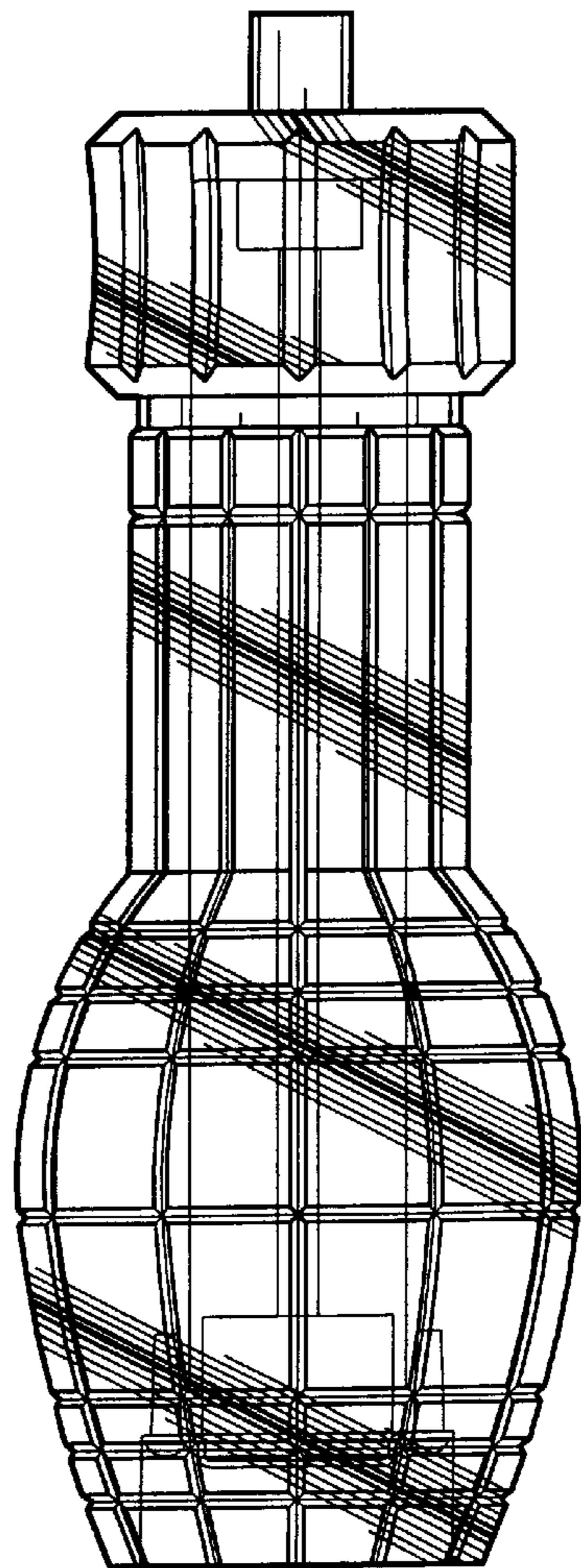


Figure 2

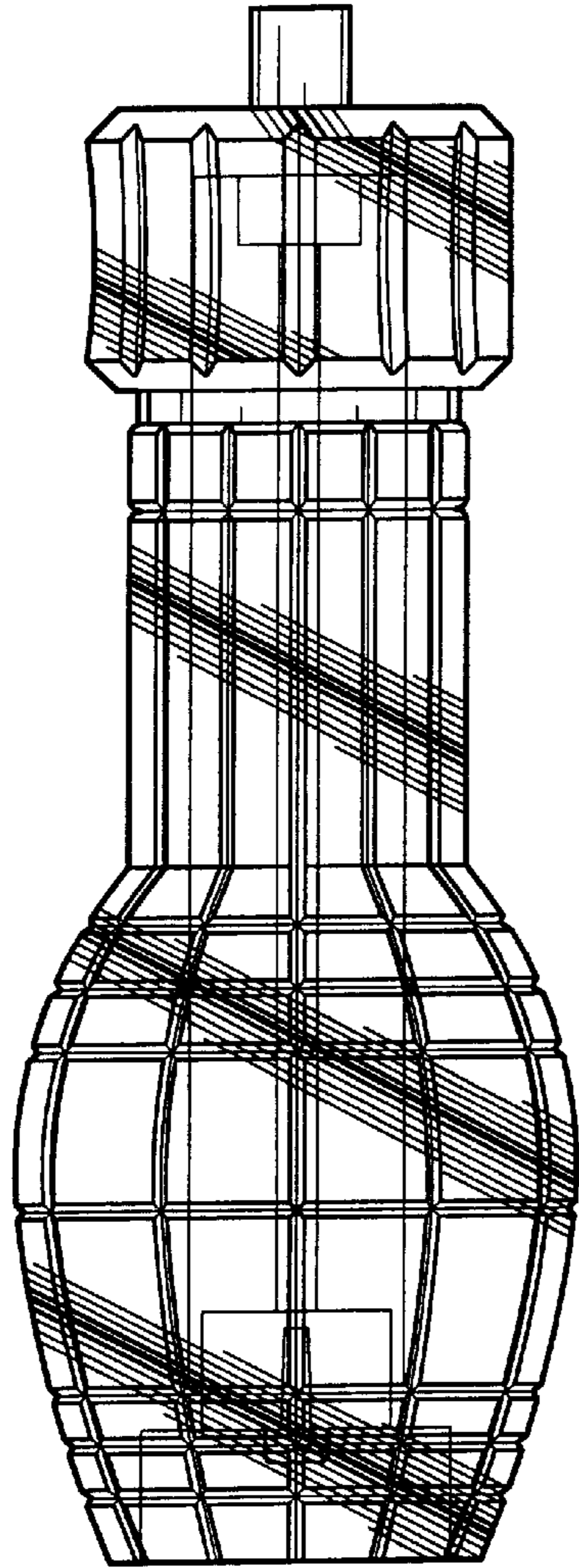


Figure 4

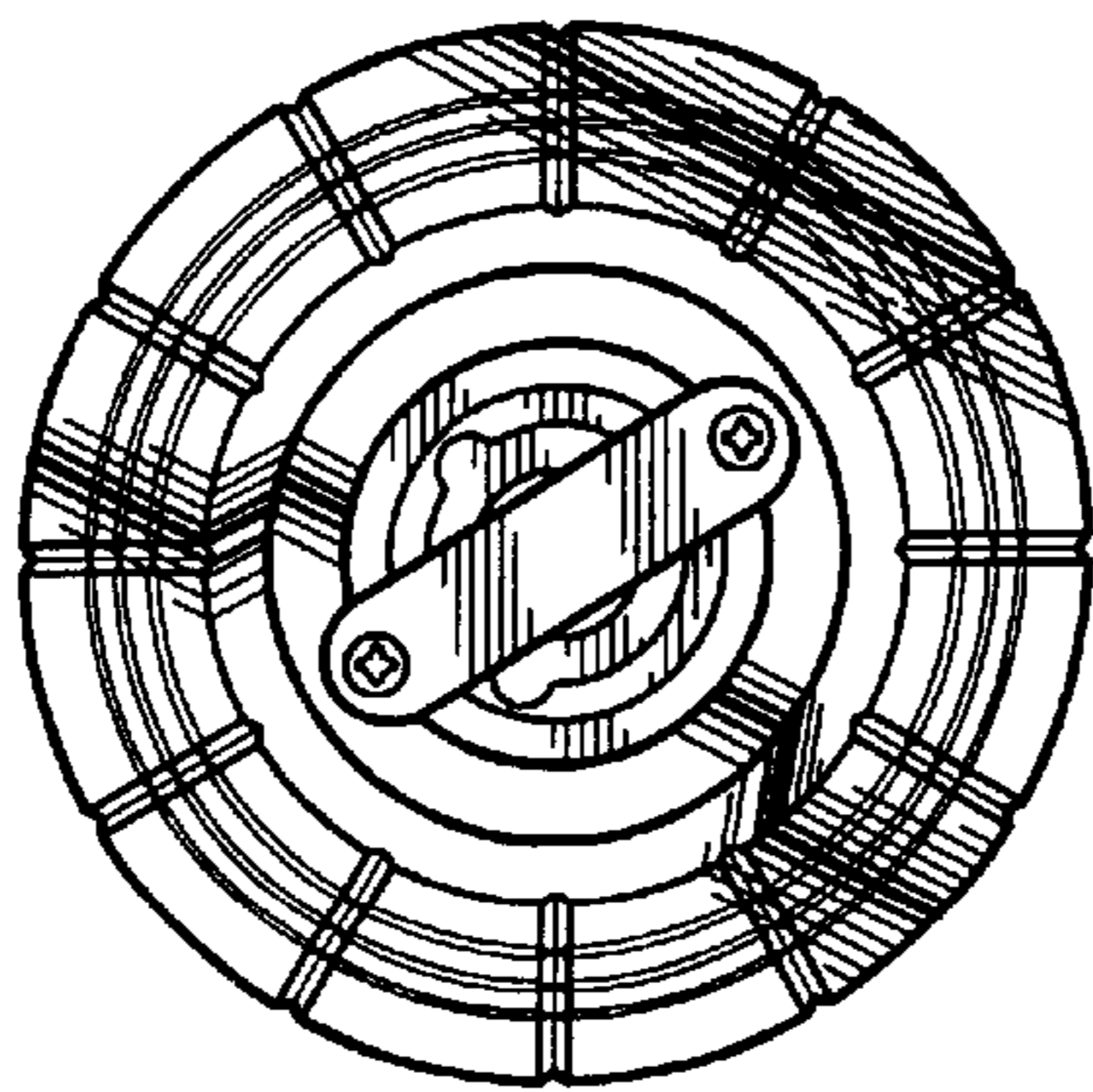


Figure 5