



US00D437743S

(12) **United States Design Patent**
Young et al.

(10) **Patent No.:** **US D437,743 S**

(45) **Date of Patent:** **** Feb. 20, 2001**

(54) **CONDIMENT DISPENSER**

(75) Inventors: **Michael W. K. Young**, Astoria; **Wei Young**, Flushing, both of NY (US)

(73) Assignee: **Progressive International Corporation**, Kent, WA (US)

(**) Term: **14 Years**

(21) Appl. No.: **29/116,844**

(22) Filed: **Jan. 11, 2000**

(51) **LOC (7) Cl.** **07-04**

(52) **U.S. Cl.** **D7/679; D7/597**

(58) **Field of Search** **D7/679, 590, 591, D7/596, 597; 222/142.1-142.9, 480; 241/168, 169, 169.1**

(56) **References Cited**

U.S. PATENT DOCUMENTS

D. 327,396 * 6/1992 Bouds D7/679
3,552,460 * 1/1971 Cooney 241/169.1

* cited by examiner

Primary Examiner—Terry A. Wallace

(74) *Attorney, Agent, or Firm*—John R. Benefiel

(57) **CLAIM**

The ornamental design for a condiment dispenser, as shown and described.

DESCRIPTION

FIG. 1 is a perspective view of a pepper mill embodiment of the condiment dispenser according to the present invention. FIG. 2 is front elevational view of the embodiment of the invention shown in FIG. 1.

FIG. 3 is a side view of the embodiment of the invention shown in FIGS. 1 and 2.

FIG. 4 is a top view of the embodiment of the invention shown in FIGS. 1-3.

FIG. 5 is a bottom view of the embodiment of the invention shown in FIGS. 1-4.

FIG. 6 is a perspective view of a salt shaker embodiment of the condiment dispenser according to the invention.

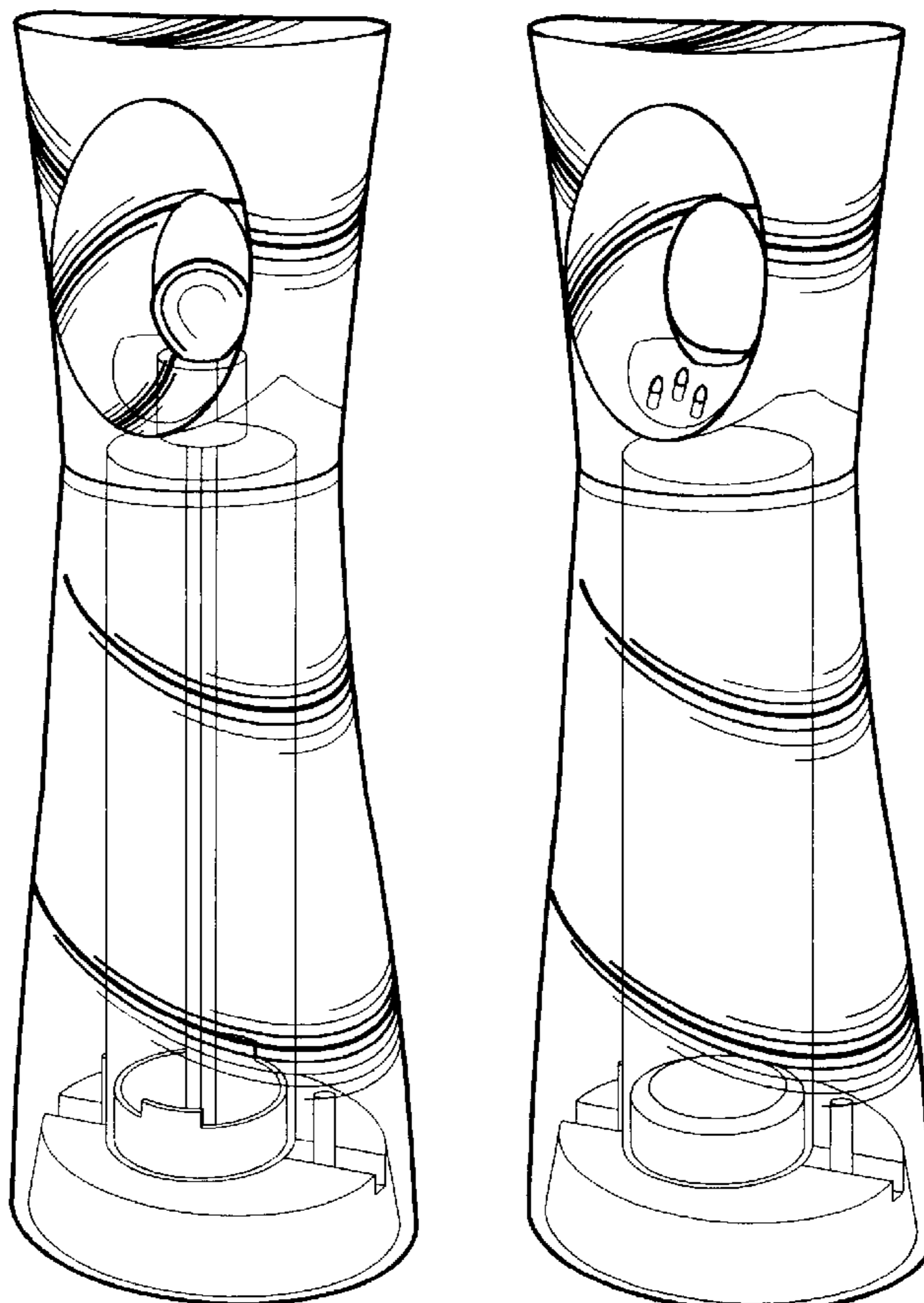
FIG. 7 is a front view of a salt shaker embodiment of the condiment dispenser as shown in FIG. 6.

FIG. 8 is a side view of a salt embodiment of the condiment dispenser as shown in FIG. 6.

FIG. 9 is a top view of a salt shaker embodiment of the condiment dispenser as shown in FIG. 6; and,

FIG. 10 is a bottom view of a salt shaker embodiment of the condiment dispenser as shown in FIG. 6.

1 Claim, 2 Drawing Sheets



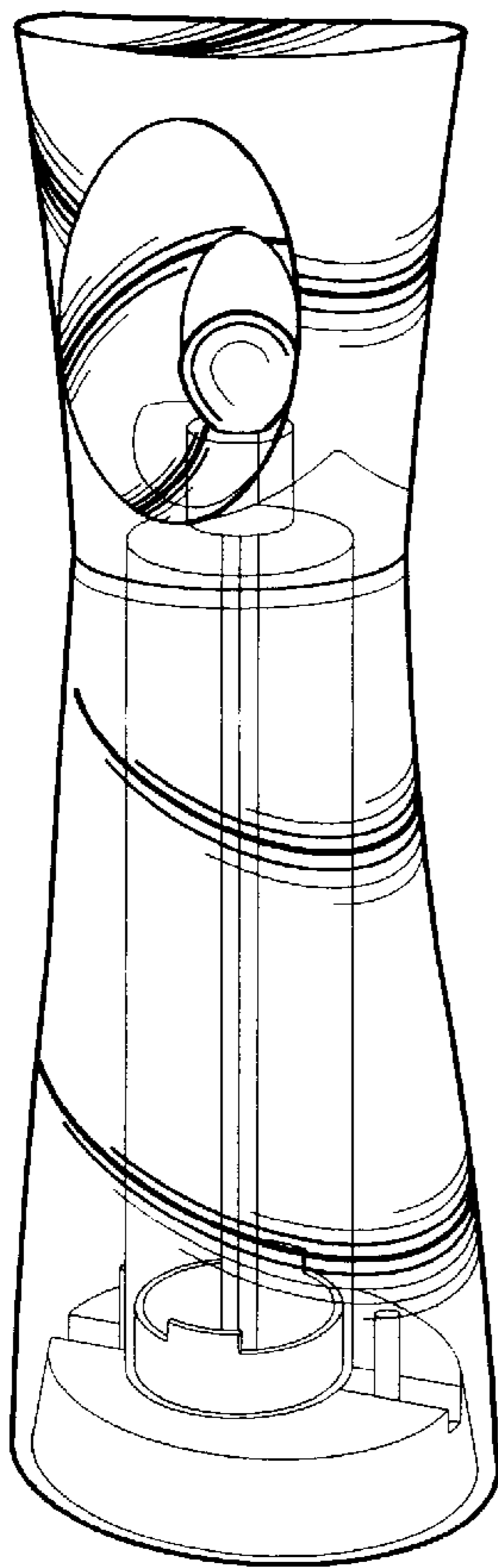


Figure 1

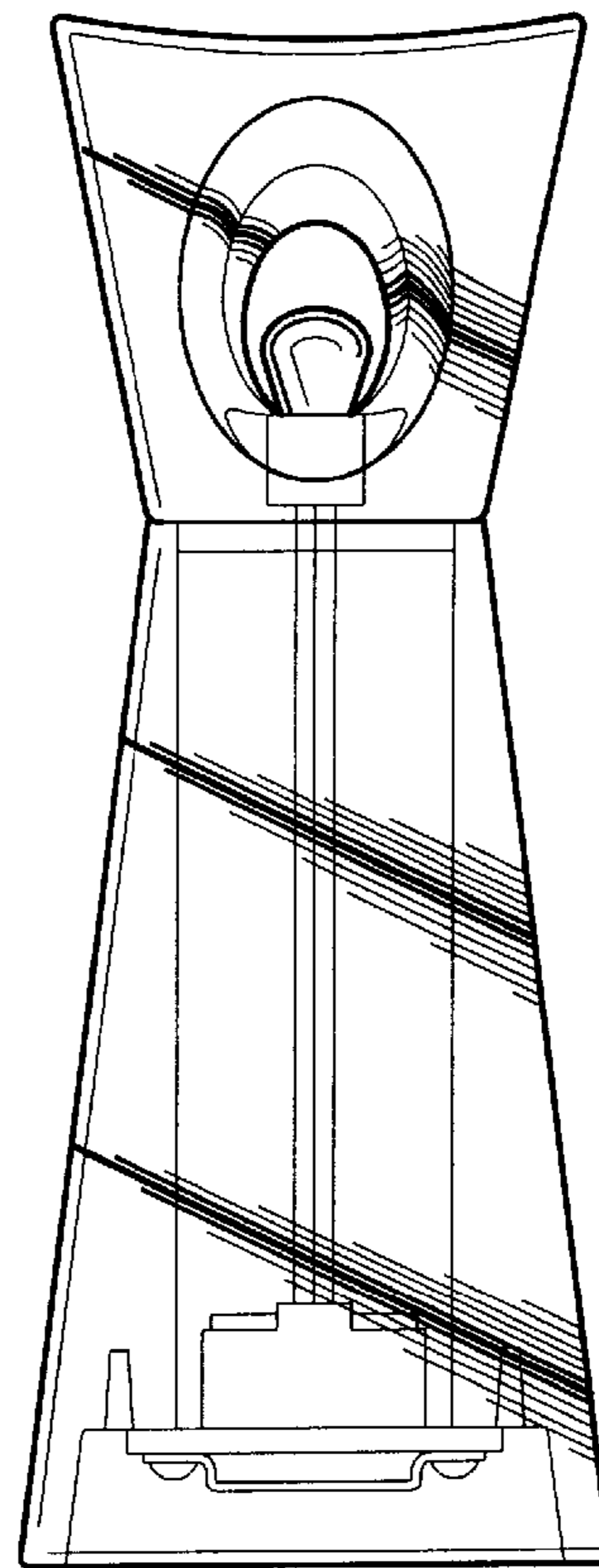


Figure 2

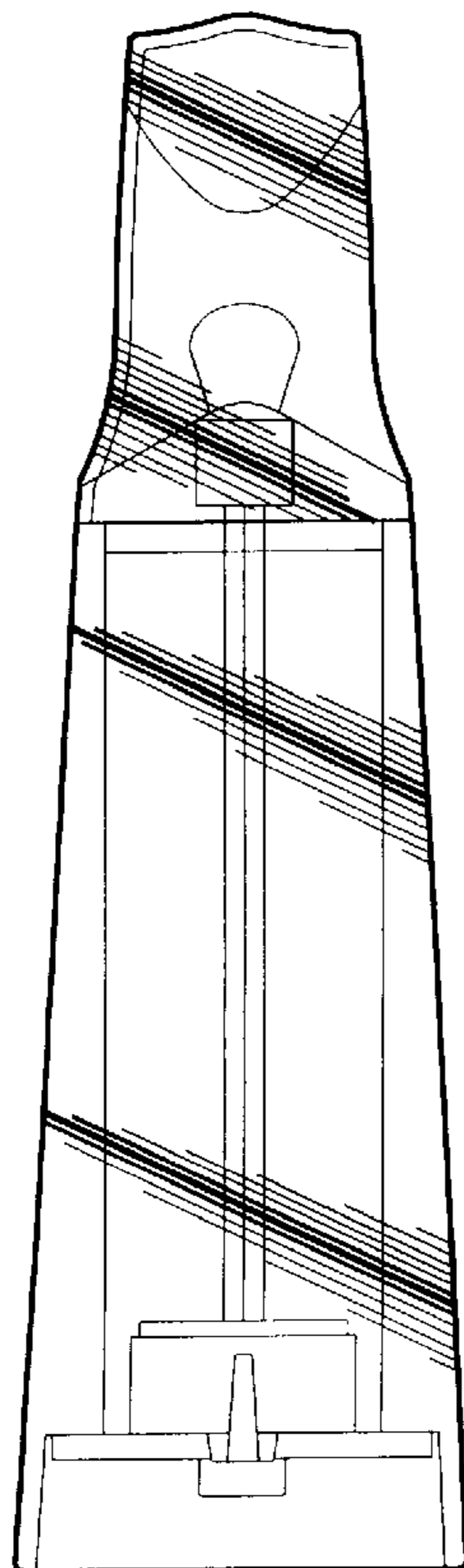


Figure 3

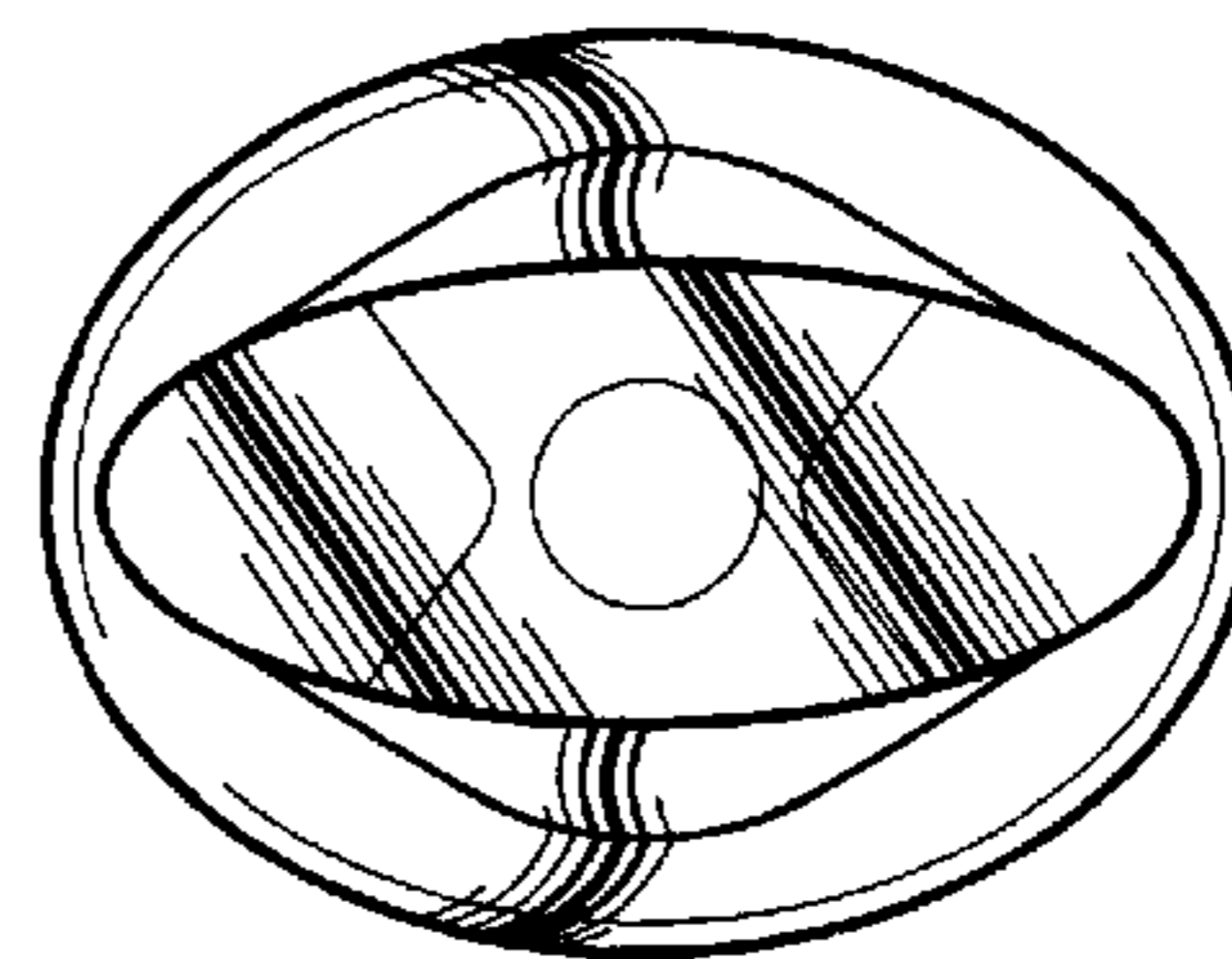


Figure 4

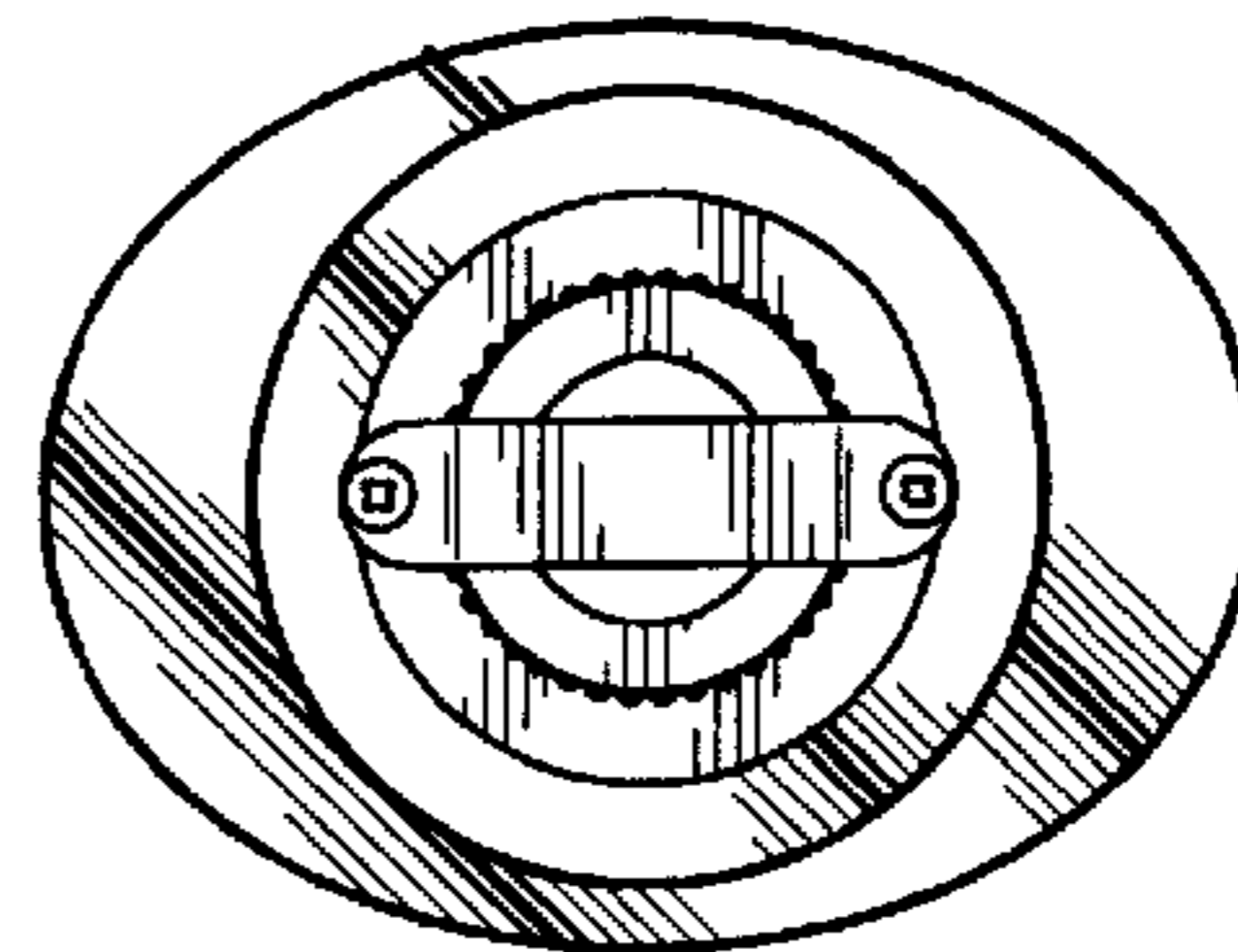


Figure 5

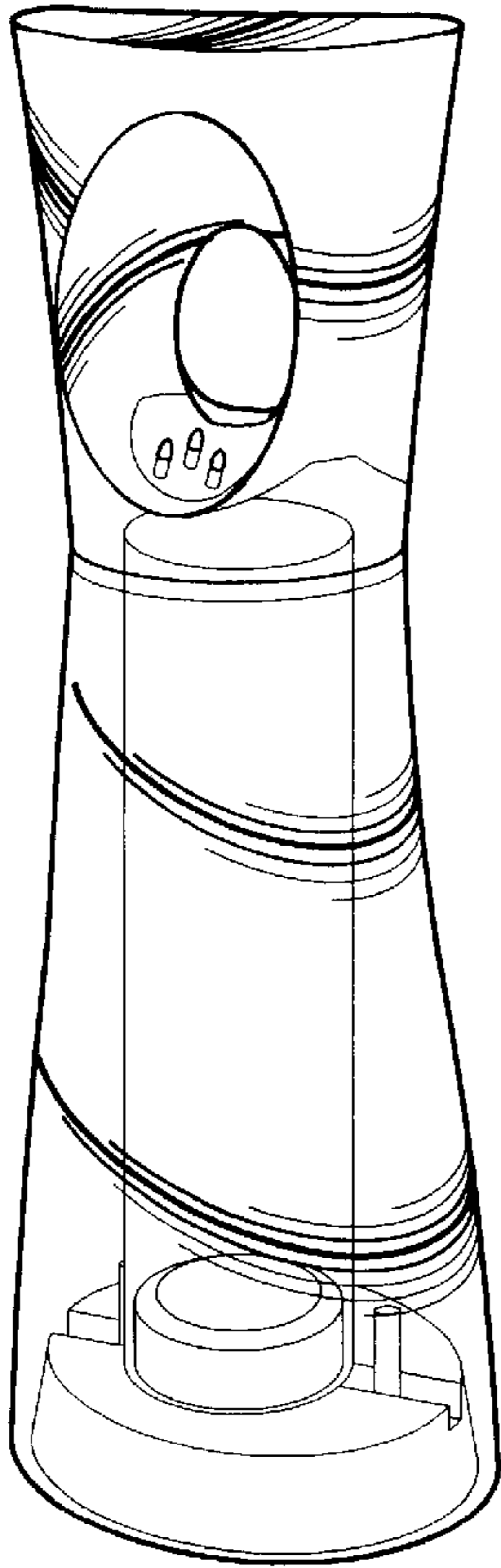


Figure 6

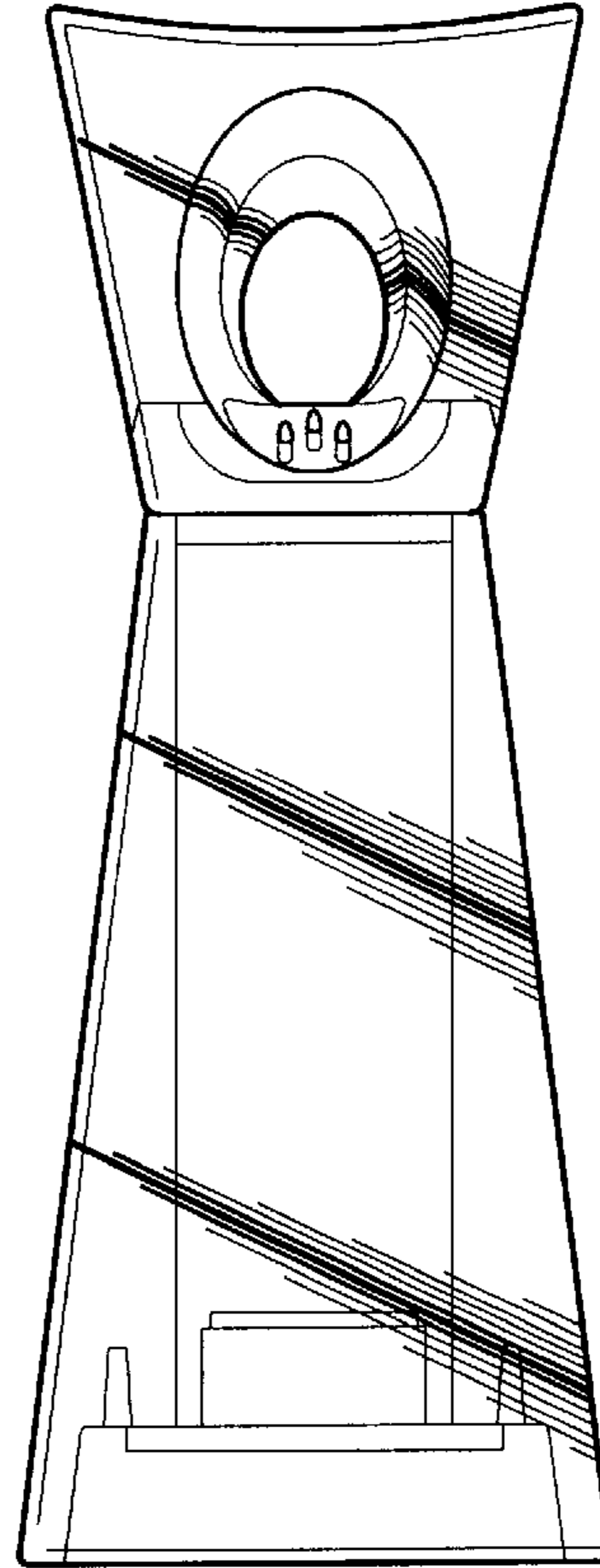


Figure 7

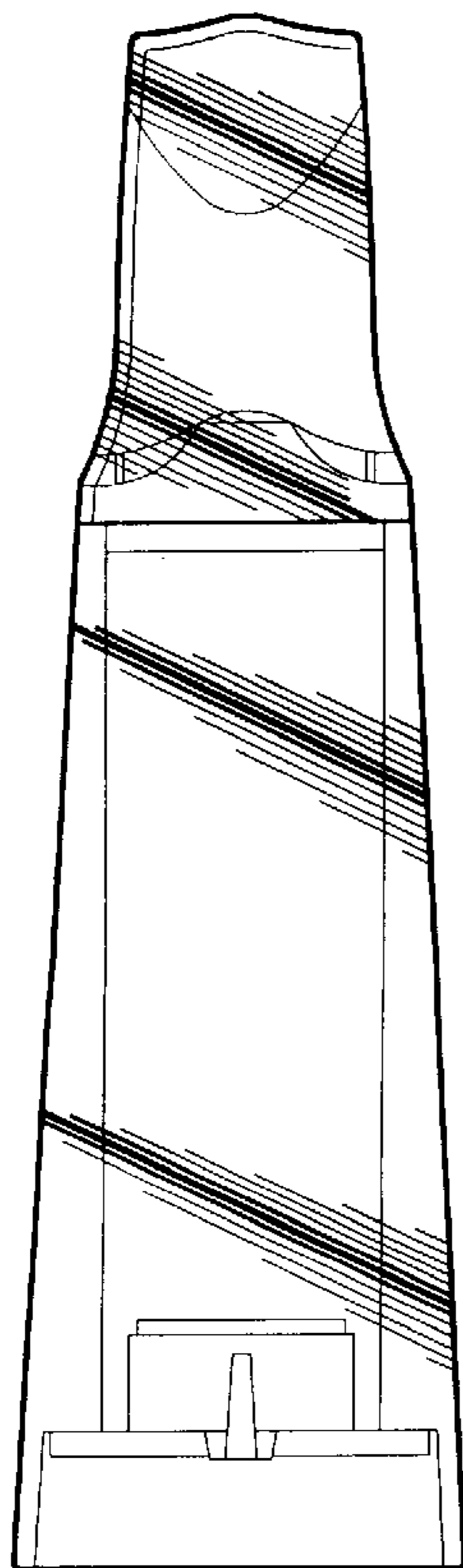


Figure 8

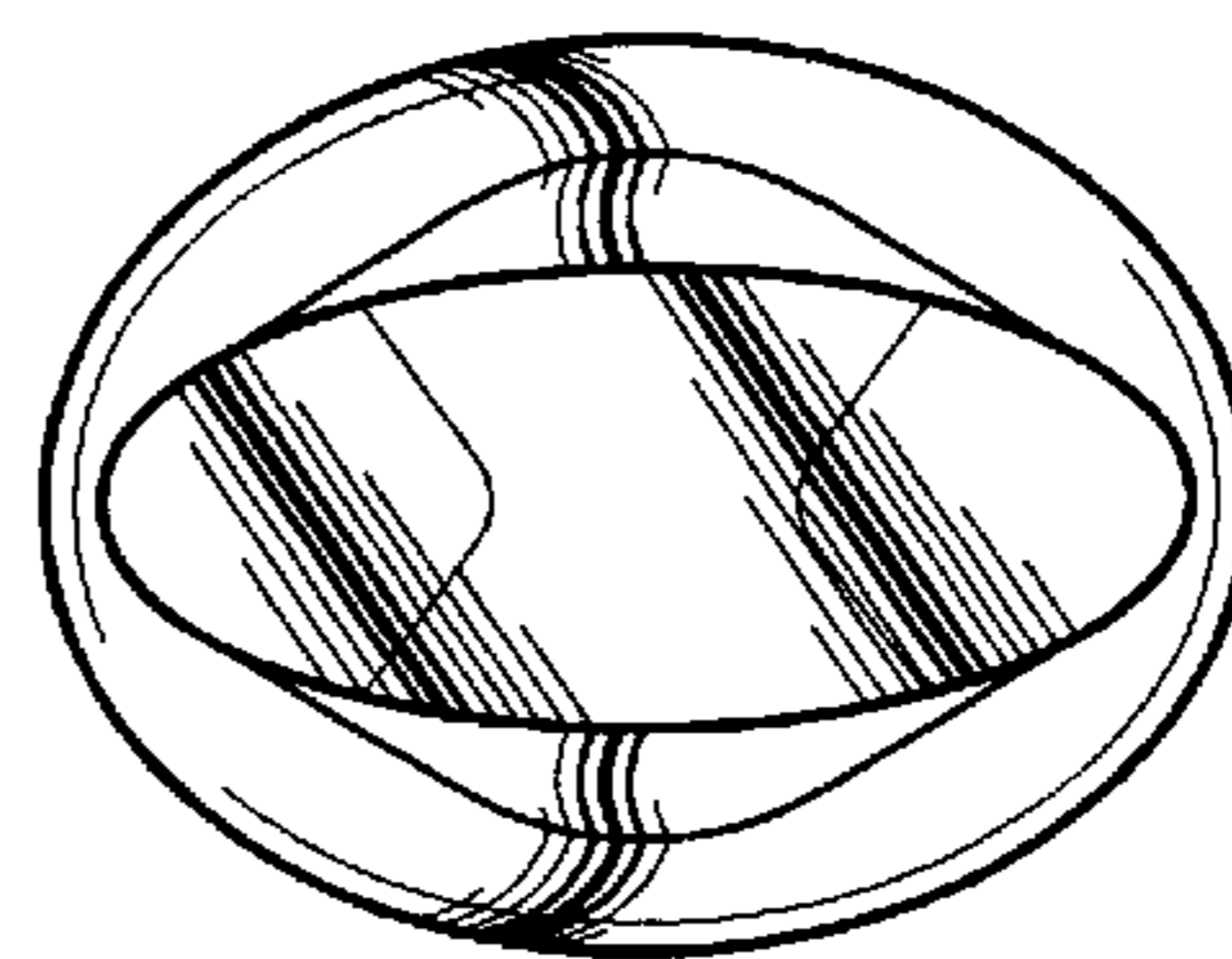


Figure 9

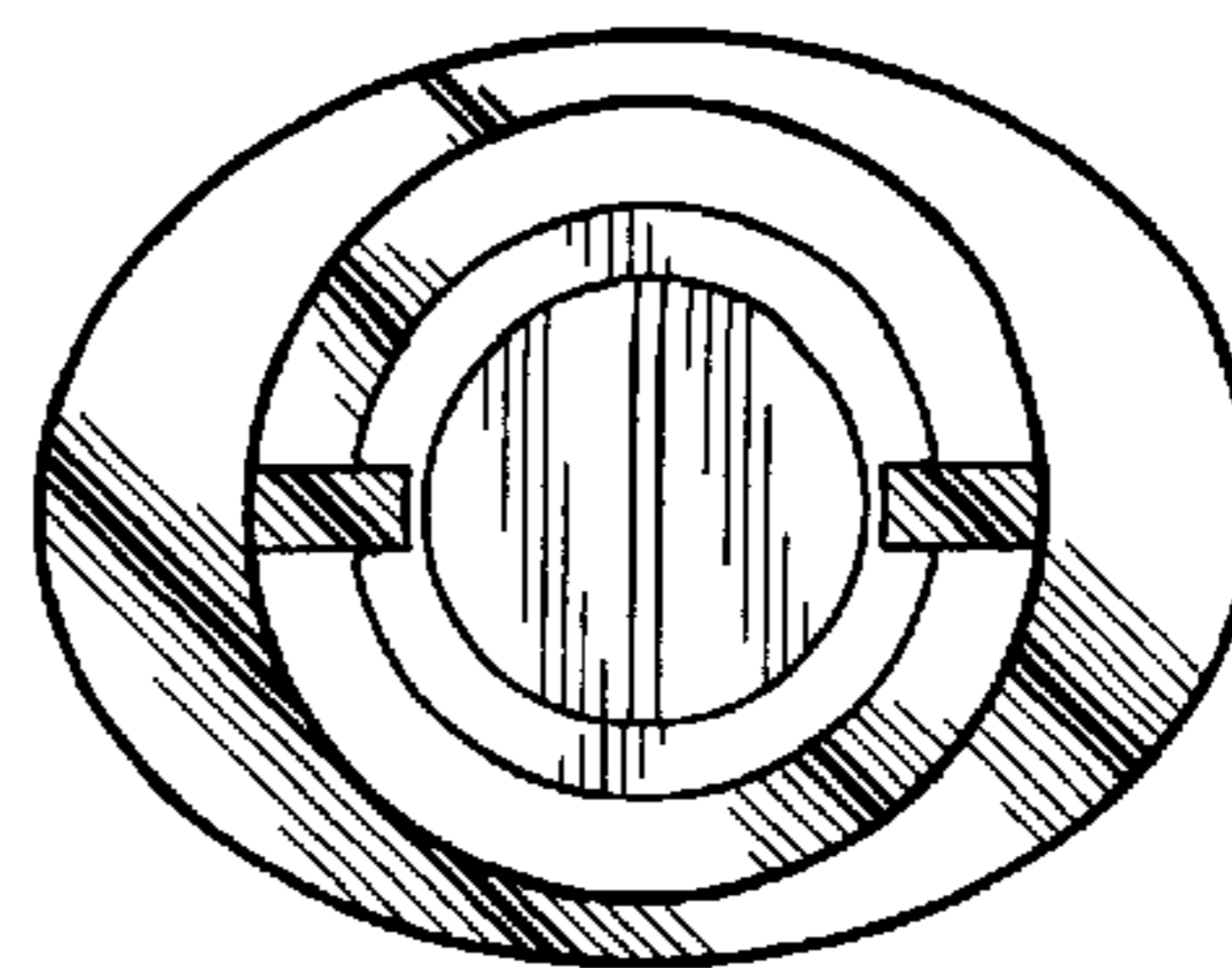


Figure 10