



US00D437741S

(12) **United States Design Patent**  
**Steffens**

(10) **Patent No.:** **US D437,741 S**

(45) **Date of Patent:** **\*\* Feb. 20, 2001**

(54) **CITRUS SQUEEZER**

3,122,185 \* 2/1964 Roberts ..... 99/501 X

(76) Inventor: **Sandra Steffens**, Salkoppel 12, 21465  
Reinbek (DE)

\* cited by examiner

(\*\*) Term: **14 Years**

*Primary Examiner*—Terry A. Wallace  
(74) *Attorney, Agent, or Firm*—Pendorf & Cutliff

(21) Appl. No.: **29/120,341**

(57) **CLAIM**

(22) Filed: **Mar. 15, 2000**

The ornamental design for a citrus squeezer, as shown and described.

(30) **Foreign Application Priority Data**

**DESCRIPTION**

Oct. 4, 1999 (DE) ..... 499 09 226

(51) **LOC (7) Cl.** ..... **07-04**

(52) **U.S. Cl.** ..... **D7/665**

(58) **Field of Search** ..... D7/665, 666; 99/495,  
99/501–510; 100/234, 243, 104, 110, 112,  
125

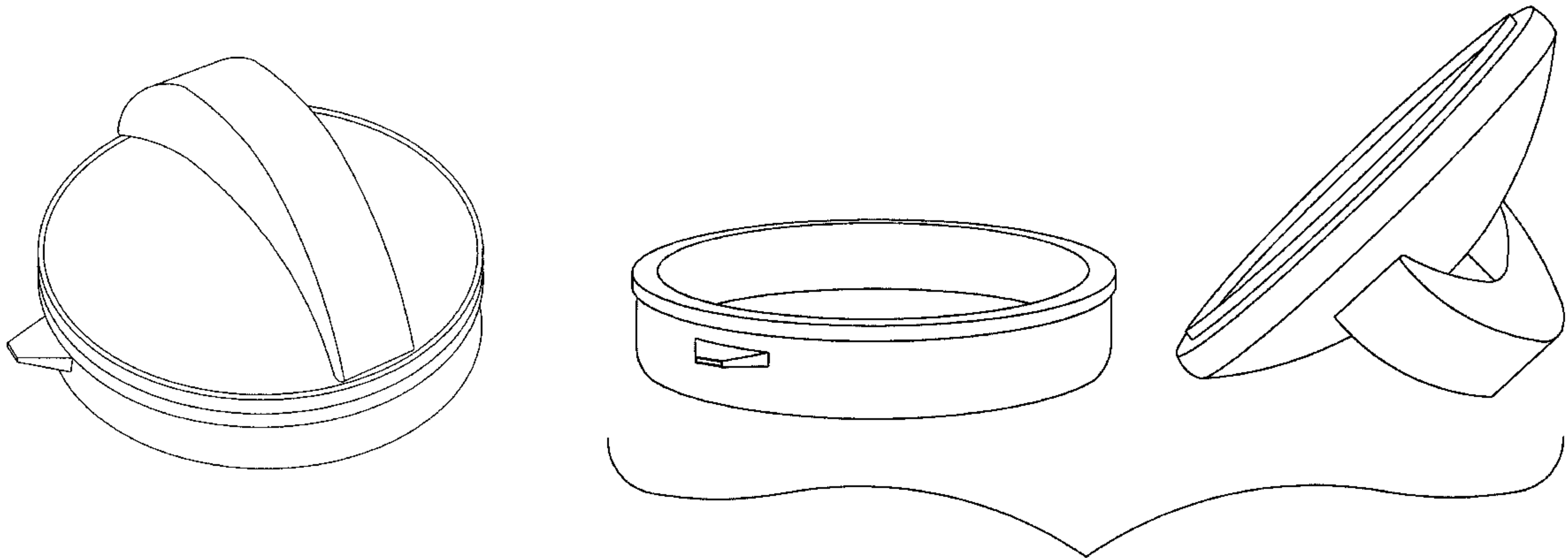
FIG. 1 is a perspective view of the citrus squeezer;  
FIG. 2 is a front elevational view of FIG. 1;  
FIG. 3 is a right side elevational view of FIG. 1; the left side  
being a mirror image of the right side;  
FIG. 4 is a rear elevational view of FIG. 1;  
FIG. 5 is a top plan view of FIG. 1;  
FIG. 6 is a bottom plan view of FIG. 1; and,  
FIG. 7 is a perspective view with lid removed.

(56) **References Cited**

**U.S. PATENT DOCUMENTS**

D. 346,723 \* 5/1994 LaVine ..... D7/665

**1 Claim, 4 Drawing Sheets**



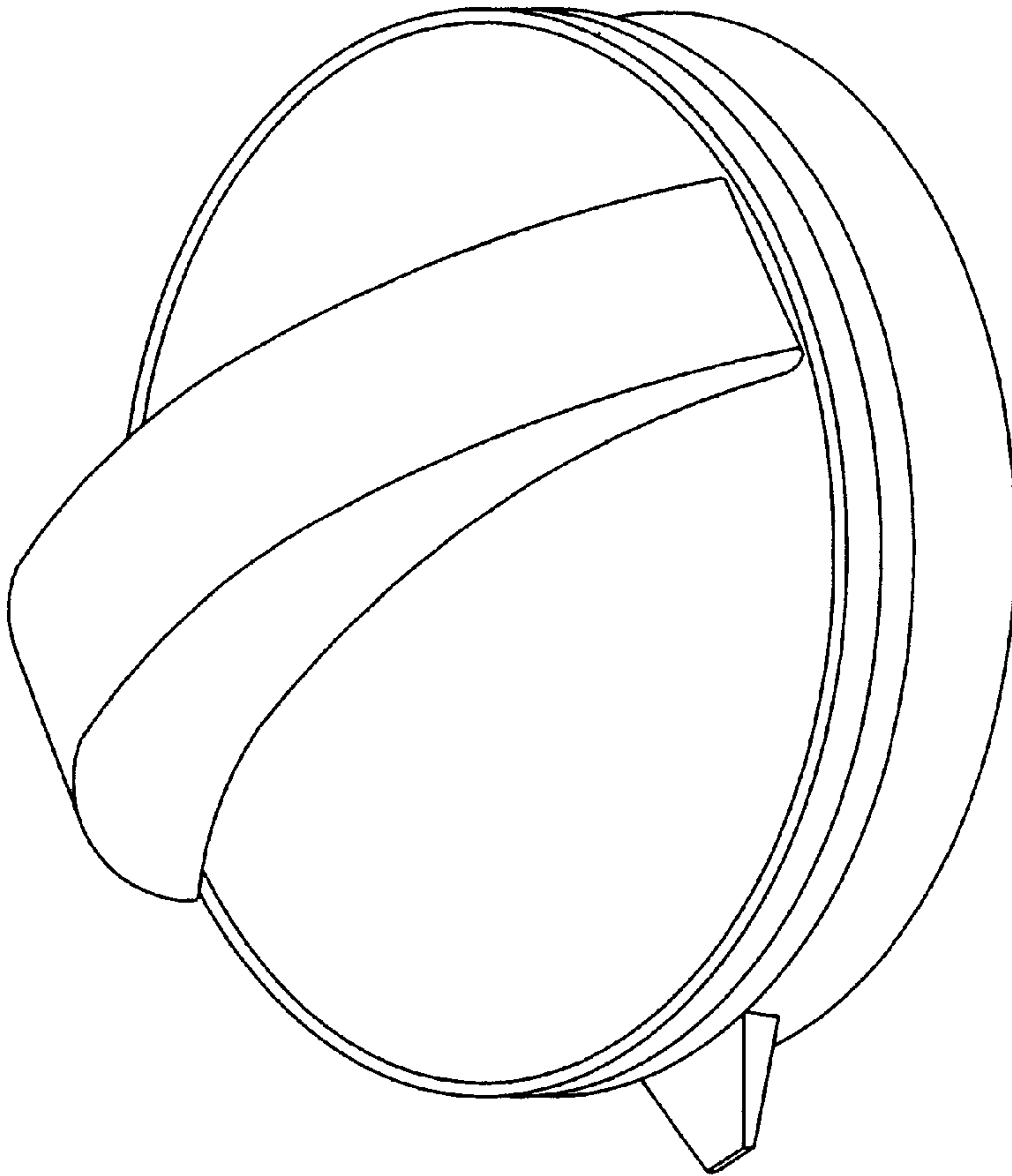


Fig. 1

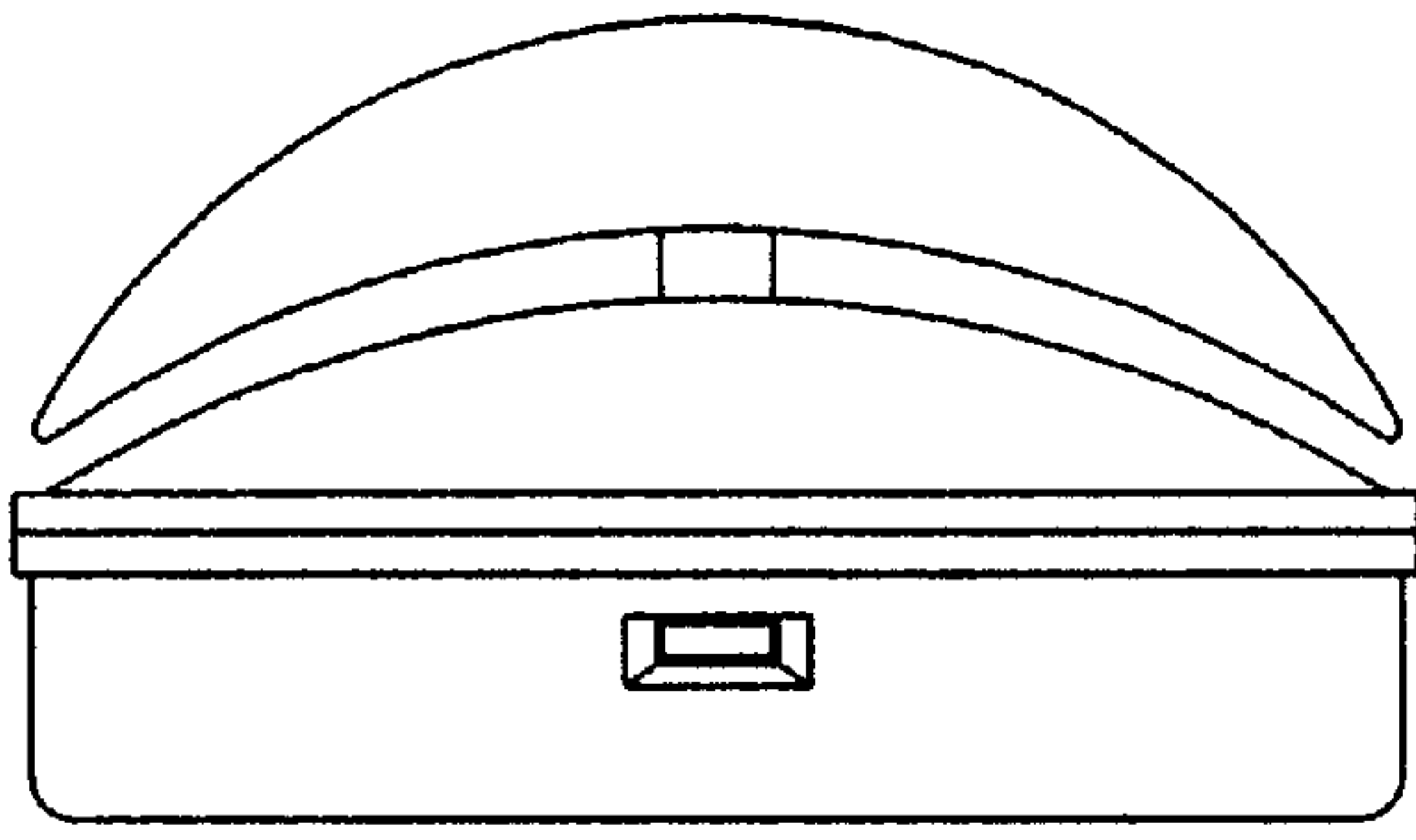


Fig. 2

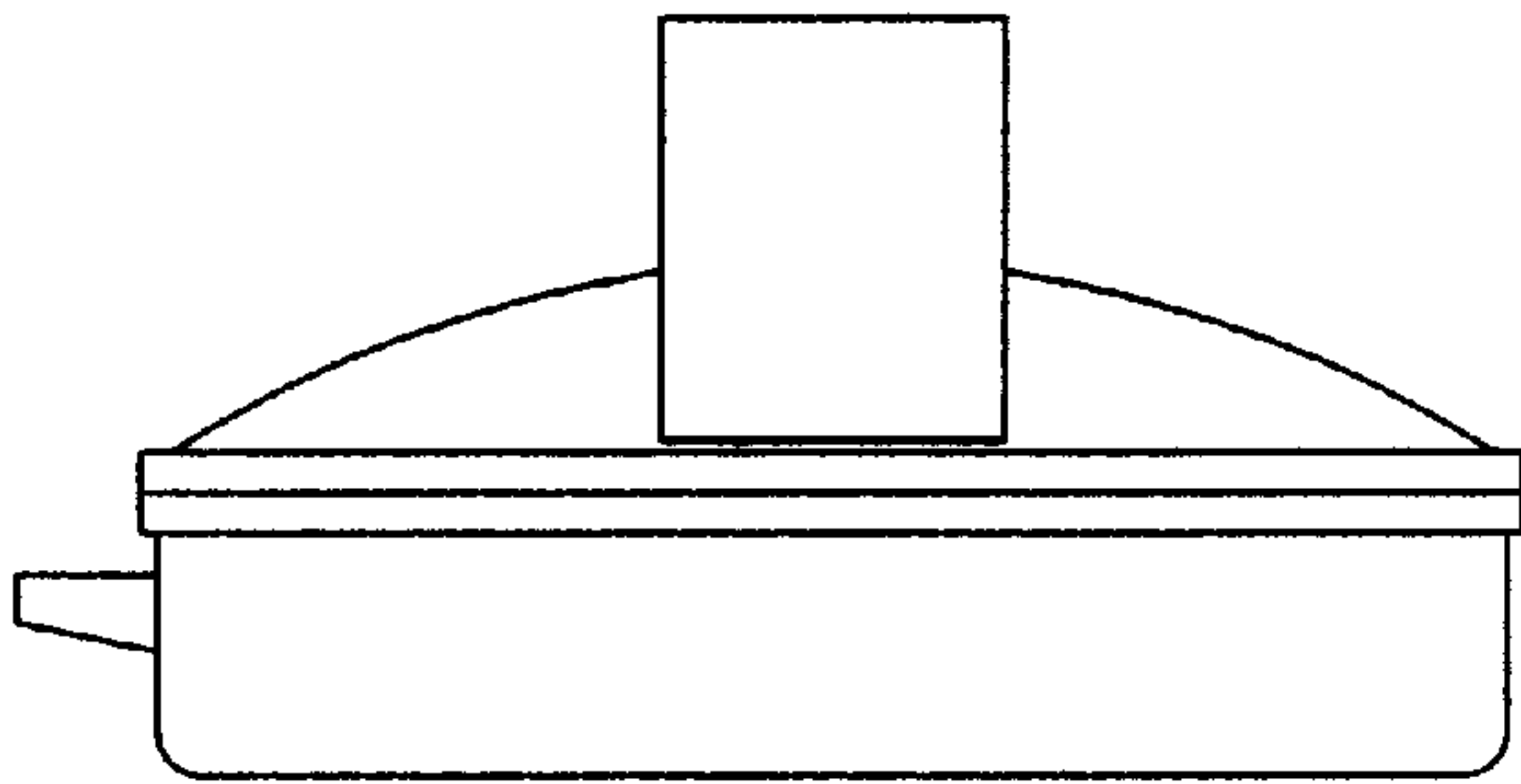


Fig. 3

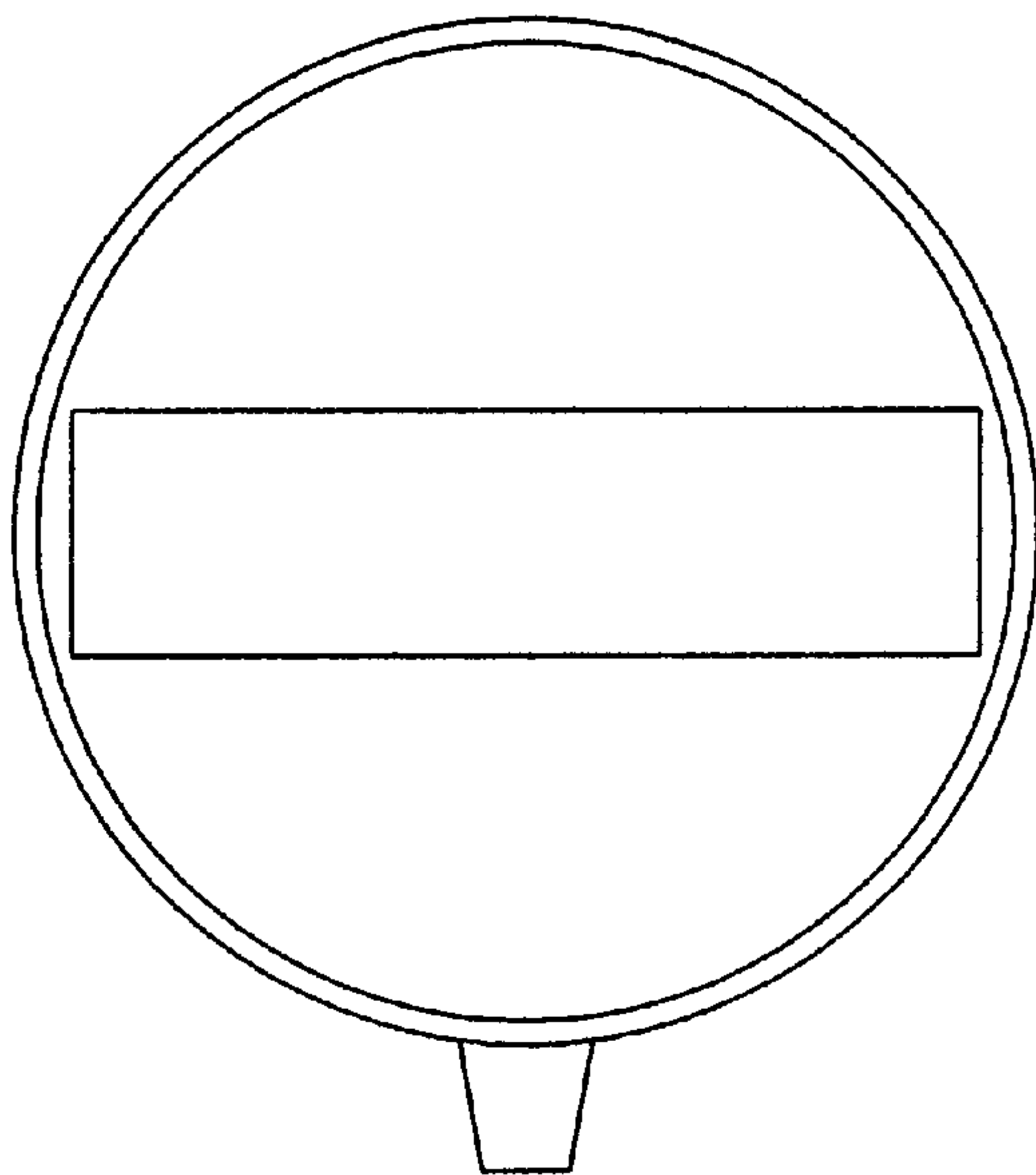


Fig. 5

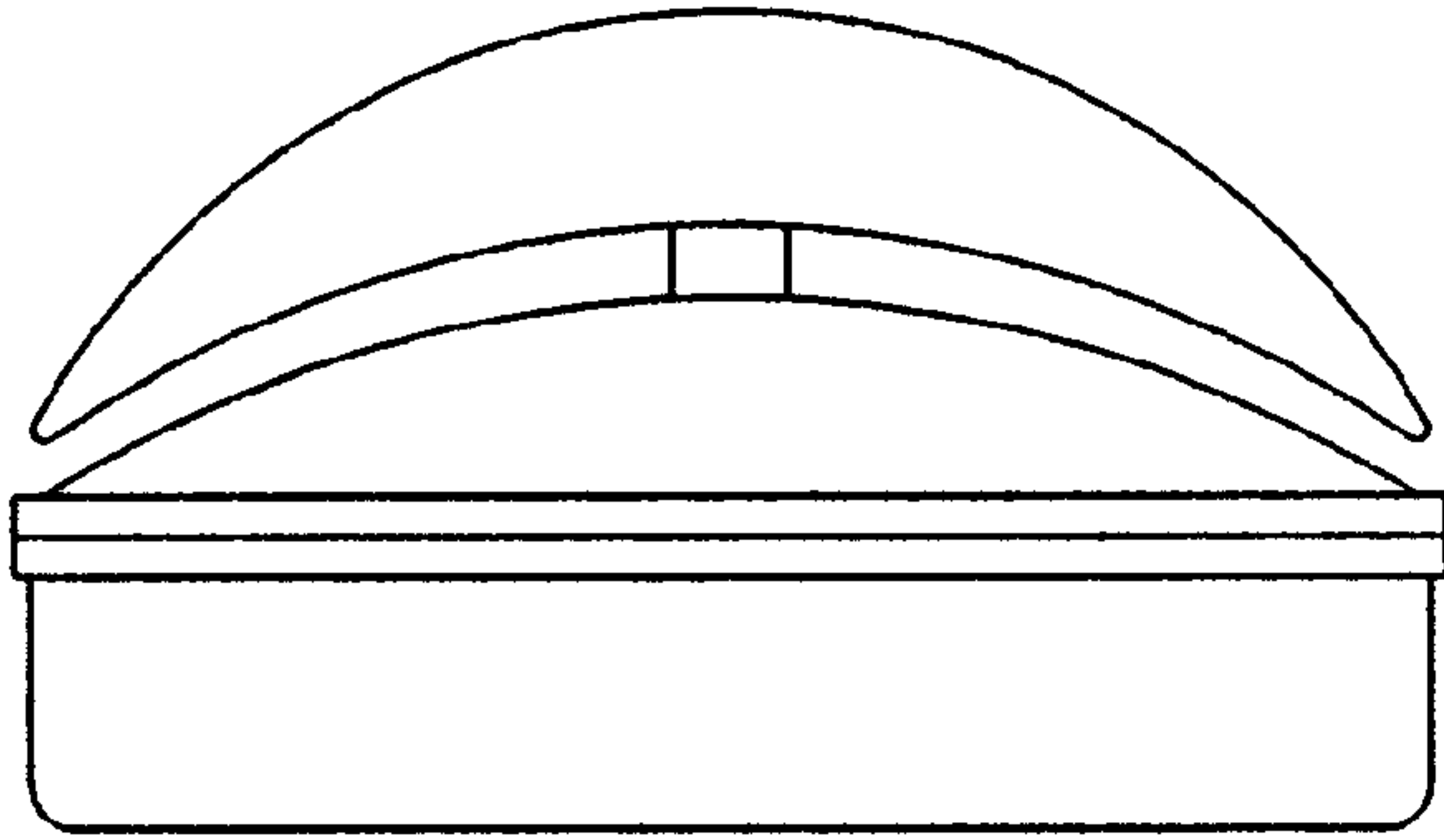


Fig. 4

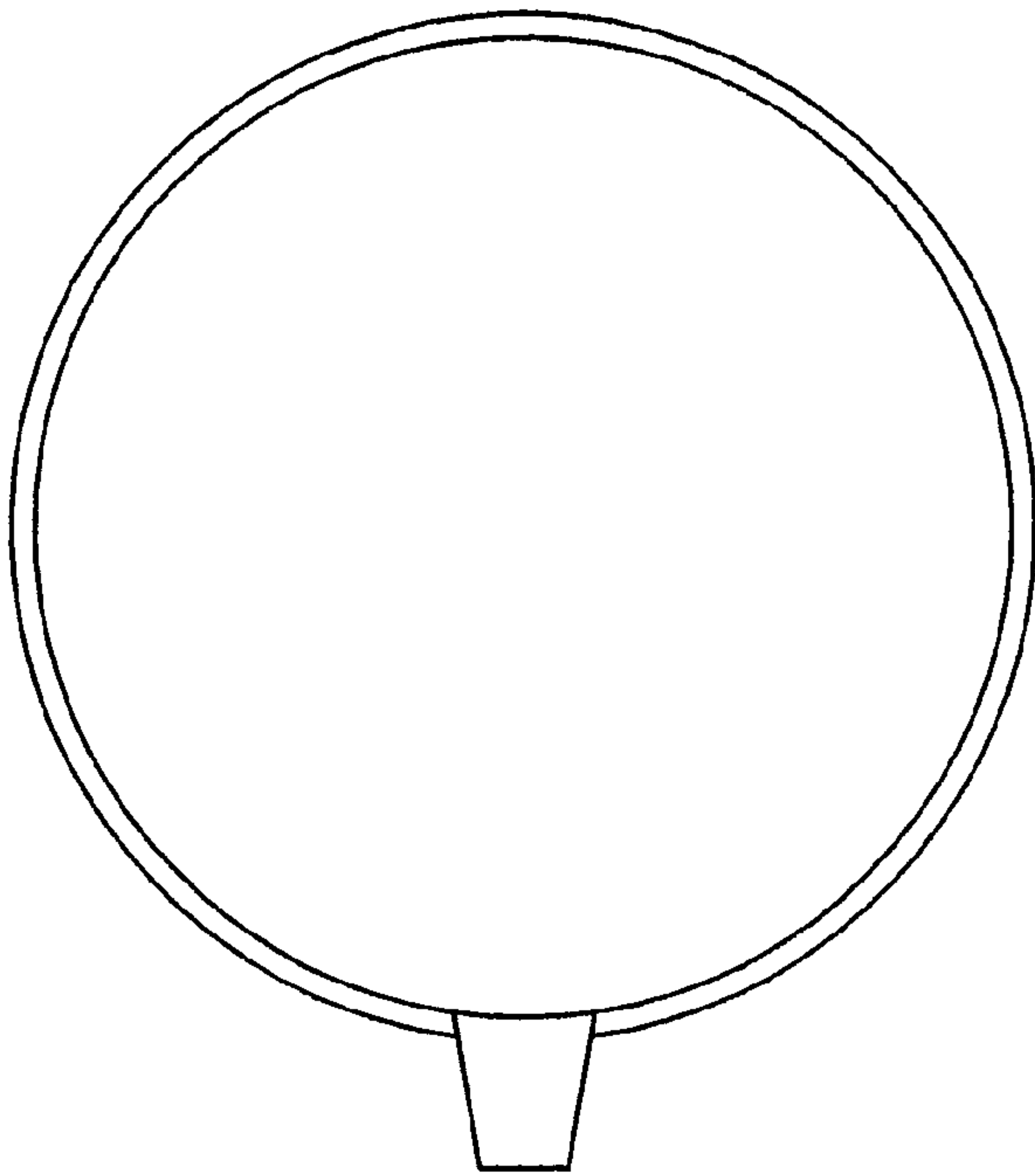


Fig. 6

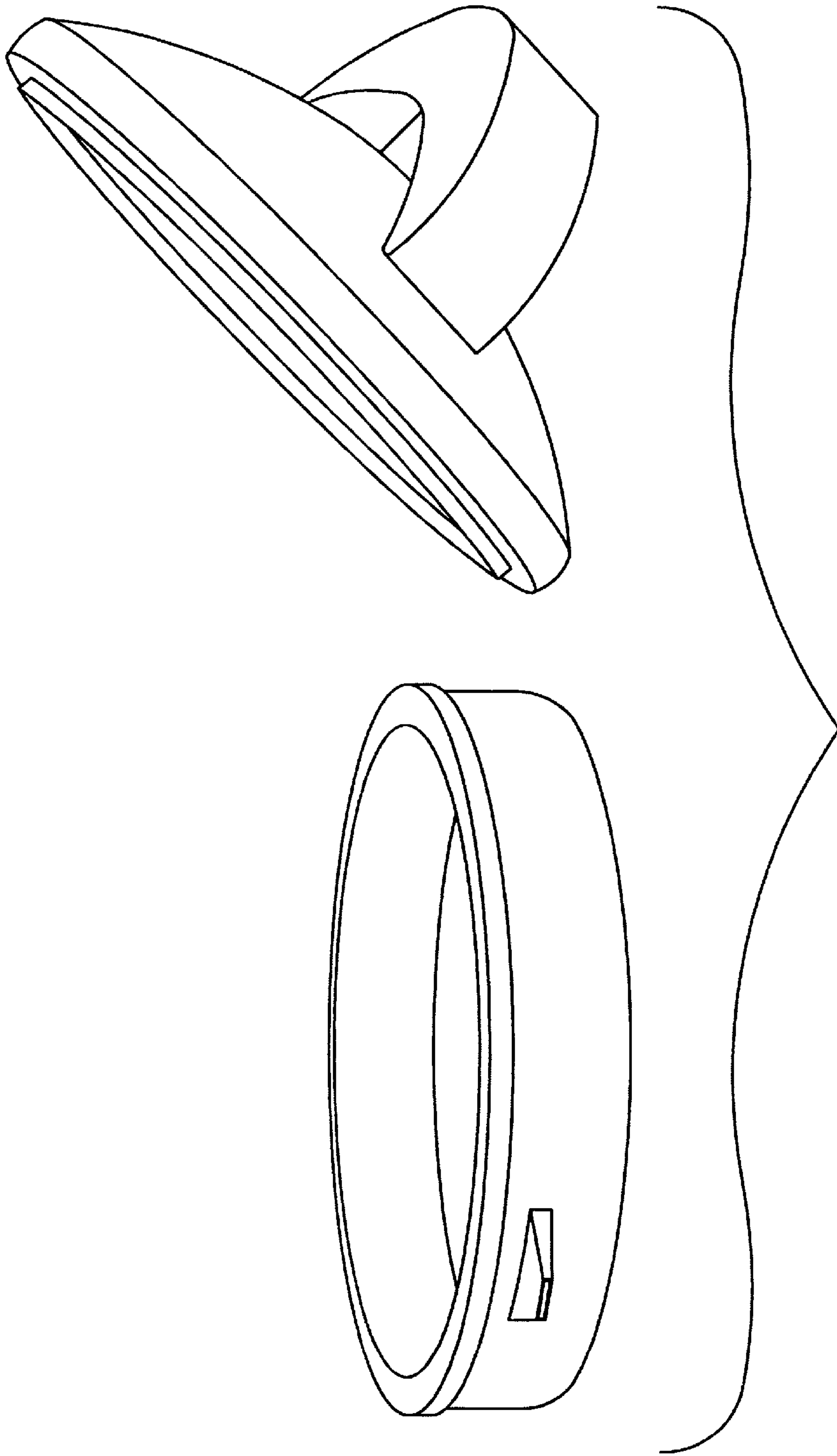


Fig. 7