



US00D437740S

(12) **United States Design Patent**
Manion et al.

(10) **Patent No.:** **US D437,740 S**

(45) **Date of Patent:** **** Feb. 20, 2001**

(54) **COMBINED SPOON AND TOY**

Primary Examiner—Caron D. Veynar

(76) Inventors: **Margaret A Manion; Carl J Manion,**
both of 7407 N. Eastern Ave., Kansas
City, MO (US) 64119

(57) **CLAIM**

The ornamental design for a combined spoon and toy, as shown and described.

(**) Term: **14 Years**

DESCRIPTION

(21) Appl. No.: **29/124,278**

The nature and intended use of the article being an ornamental design entertain toddler with toy and sounds while feeding.

(22) Filed: **Jun. 2, 2000**

(51) **LOC (7) Cl.** **07-03**

(52) **U.S. Cl.** **D7/655; D21/447**

(58) **Field of Search** **D7/651, 654, 655;**
D4/107; D21/447, 448; D1/113; 30/322,
324

FIG. 1 is a front elevational view of the combined spoon and toy of the present invention;

FIG. 2 is a rear elevational view of the combined spoon and toy of FIG. 1;

FIG. 3 is an exploded right side elevational view of the combined spoon and toy of FIG. 1;

FIG. 4 is an exploded left side elevational view of the combined spoon and toy of FIG. 1;

FIG. 5 is an exploded top plan view of the combined spoon and toy of FIG. 1;

FIG. 6 is an exploded bottom plan view of the combined spoon and toy of FIG. 1; and,

FIG. 7 is a top plan view of the combined spoon and toy of FIG. 1.

(56) **References Cited**

U.S. PATENT DOCUMENTS

D. 166,914	*	6/1952	Hepner	D7/655
D. 172,480	*	6/1954	Silletti	D7/655
D. 194,780	*	3/1963	Gordon	D1/113
D. 257,757	*	1/1981	Acker	D7/655
D. 302,510	*	8/1989	Bergman	D7/655
D. 310,944	*	10/1990	Lutzker	D7/655
D. 407,274	*	3/1999	Lake et al.	D7/655

* cited by examiner

1 Claim, 5 Drawing Sheets

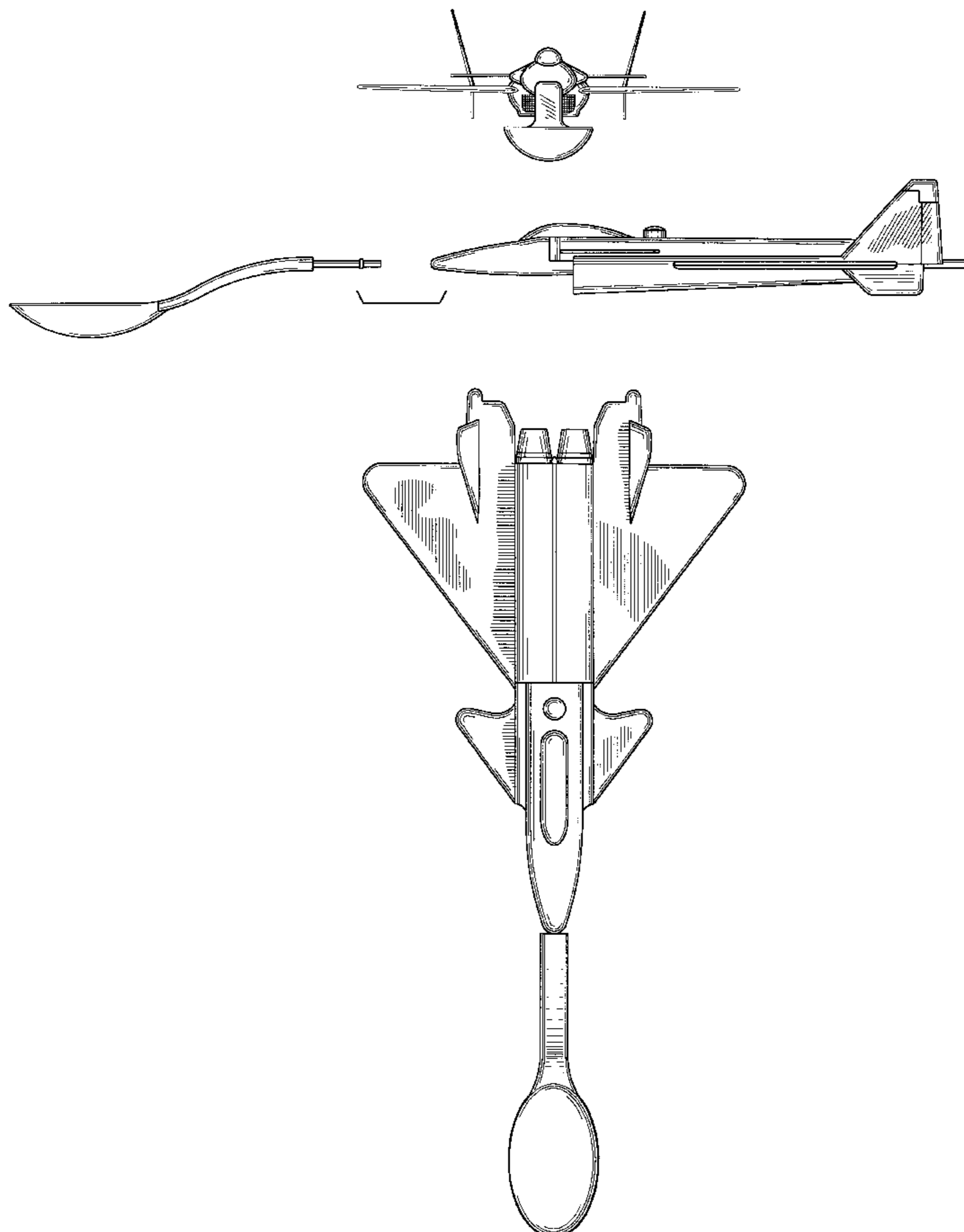


FIG. 1

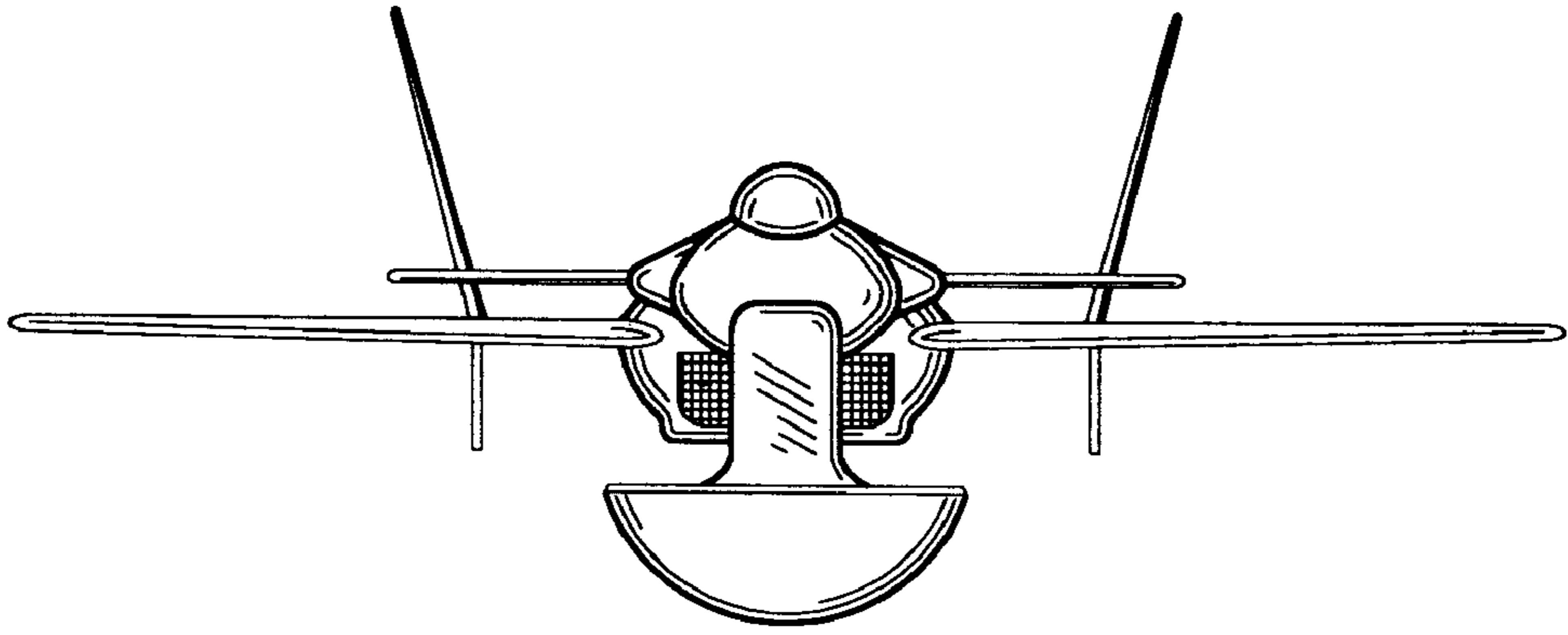


FIG. 2

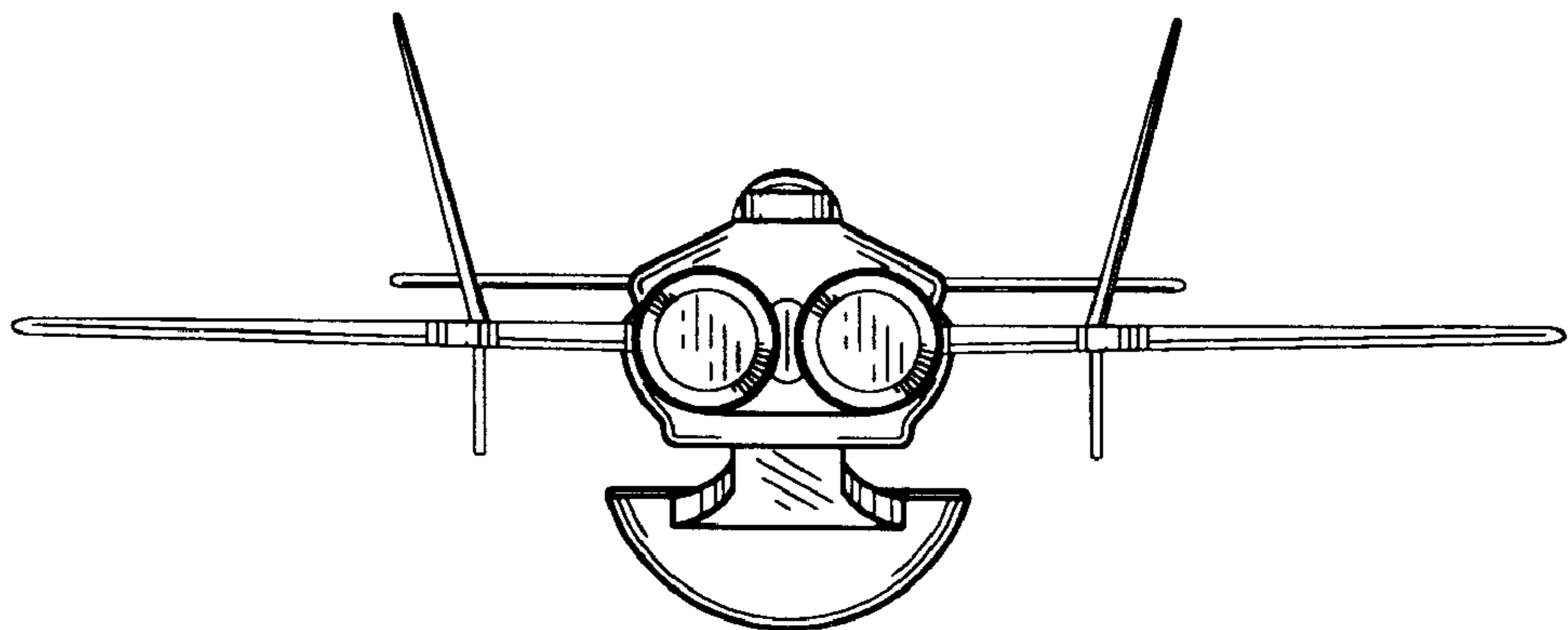


FIG. 3

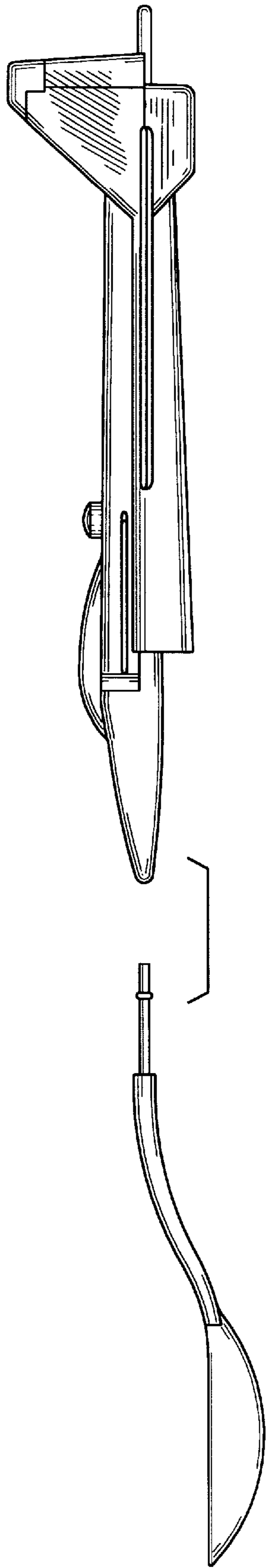
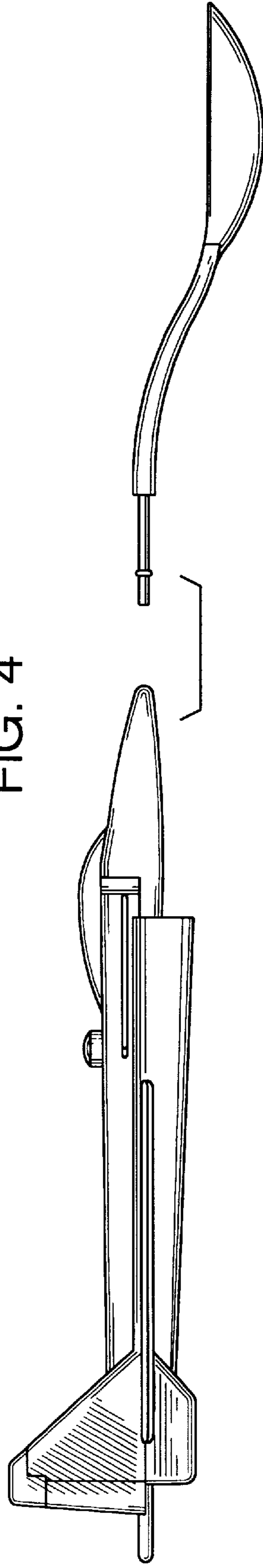
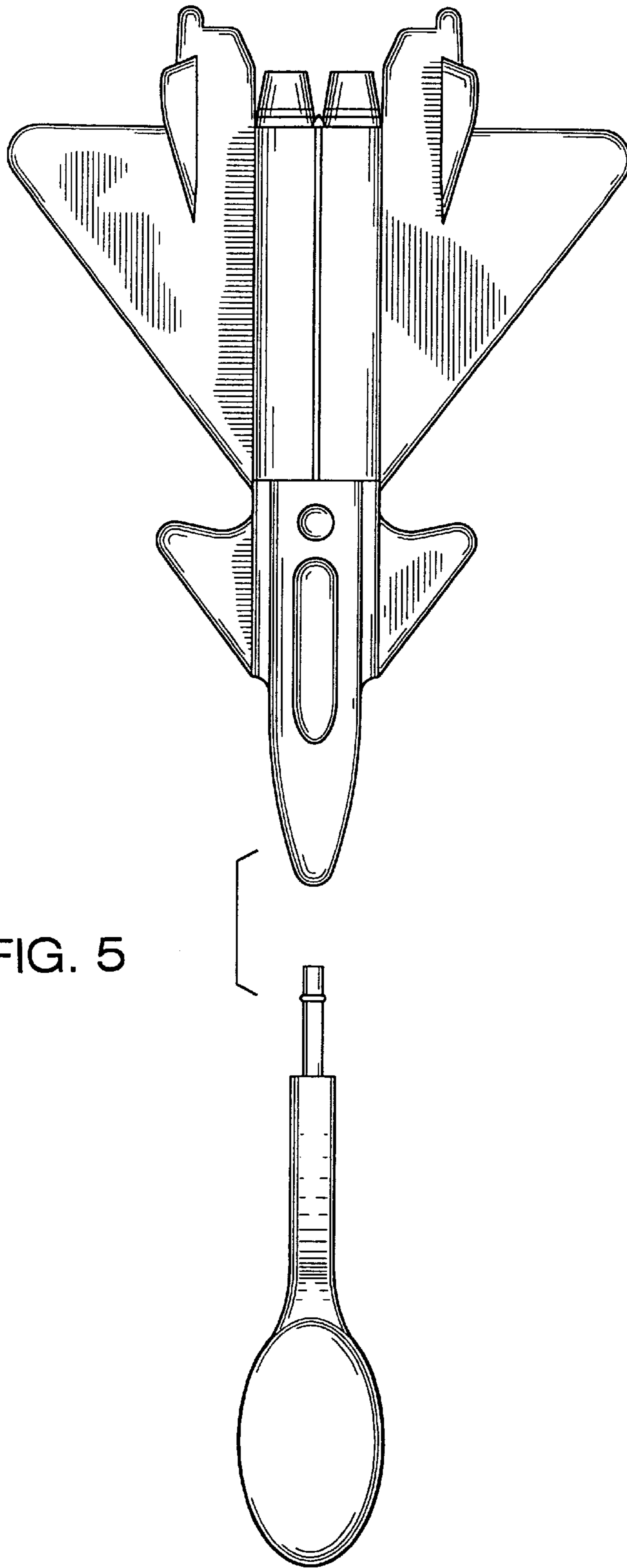
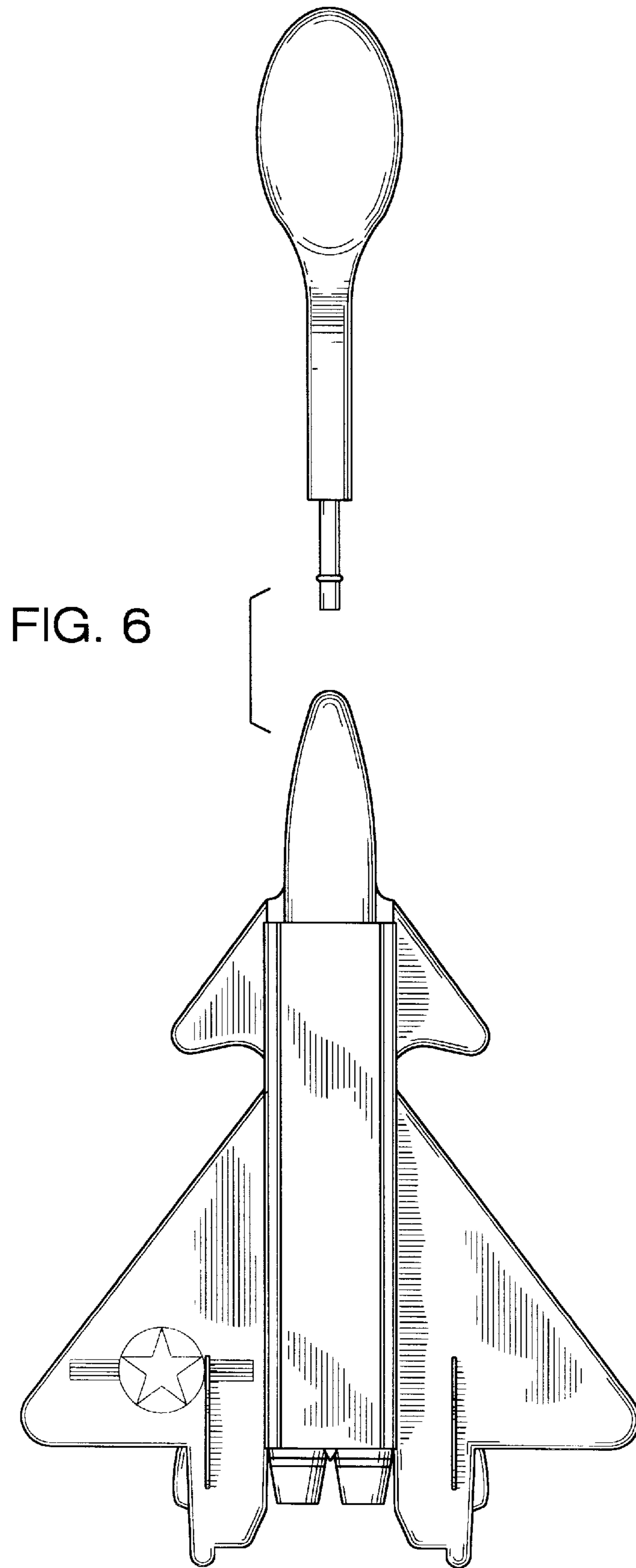


FIG. 4







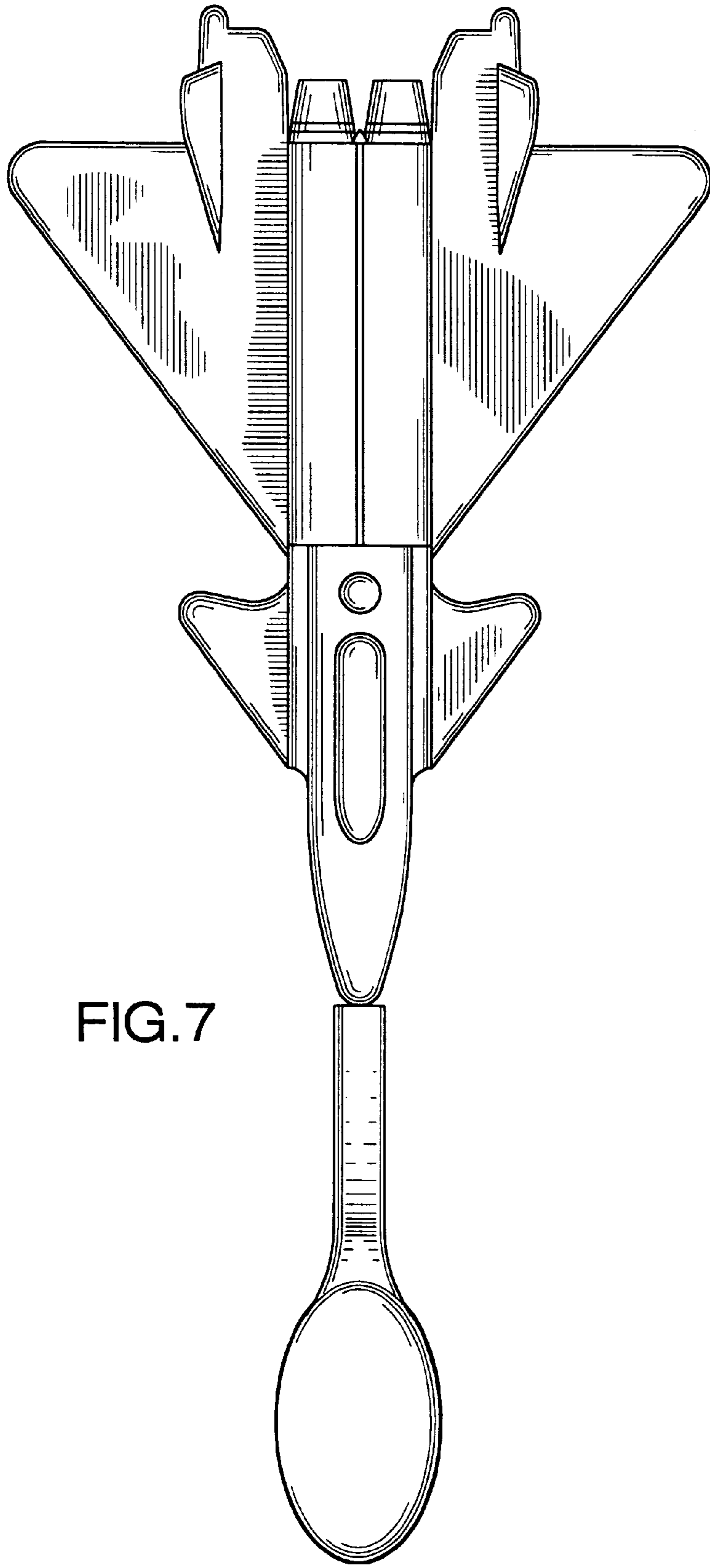


FIG. 7