



US00D437736S

(12) **United States Design Patent**
Moffett, III et al.

(10) **Patent No.:** **US D437,736 S**
(45) **Date of Patent:** **** Feb. 20, 2001**

(54) **COOLER HAVING DETACHABLE LEGS**

(57) **CLAIM**

(76) Inventors: **Noah Moffett, III**, 1250 Dundale Ave.,
Norfolk, VA (US) 23513; **Andrew**
Moore, 2502 Rice St., Chesapeake, VA
(US) 23324

We claim the ornamental design for a cooler having detach-
able legs, as shown and described.

DESCRIPTION

(**) Term: **14 Years**

FIG. 1 is a perspective view of the cooler having angular
legs attached thereto.

(21) Appl. No.: **29/123,279**

FIG. 2 is a perspective view of the cooler having square legs
attached thereto.

(22) Filed: **May 15, 2000**

FIG. 3 is a perspective view of the cooler having round legs
attached thereto.

(51) **LOC (7) Cl.** **07-01**

FIG. 4 is a left side view of the cooler having the legs
removed therefrom.

(52) **U.S. Cl.** **D7/605**

FIG. 5 is a right side view of the cooler having the legs
removed therefrom.

(58) **Field of Search** D7/605-608; 62/371,
62/372, 457.1, 457.7; 220/592.2, 592.24,
592.25, 592.16, 915.1, 915.2; D6/429-431,
396, 397

FIG. 6 is a bottom view of the cooler having slots for the
attachment of angular legs thereto.

(56) **References Cited**

U.S. PATENT DOCUMENTS

D. 368,387 * 4/1996 Bureau D6/397
D. 421,696 * 3/2000 Hendrix D7/605

FIG. 7 is a bottom view of the cooler having slots for the
attachment of square legs thereto.

FIG. 8 is a bottom view of the cooler having slots for the
attachment of round legs thereto.

* cited by examiner

FIG. 9 is a front view of the cooler having the legs removed
therefrom.

FIG. 10 is a back view of the cooler having the legs removed
therefrom.

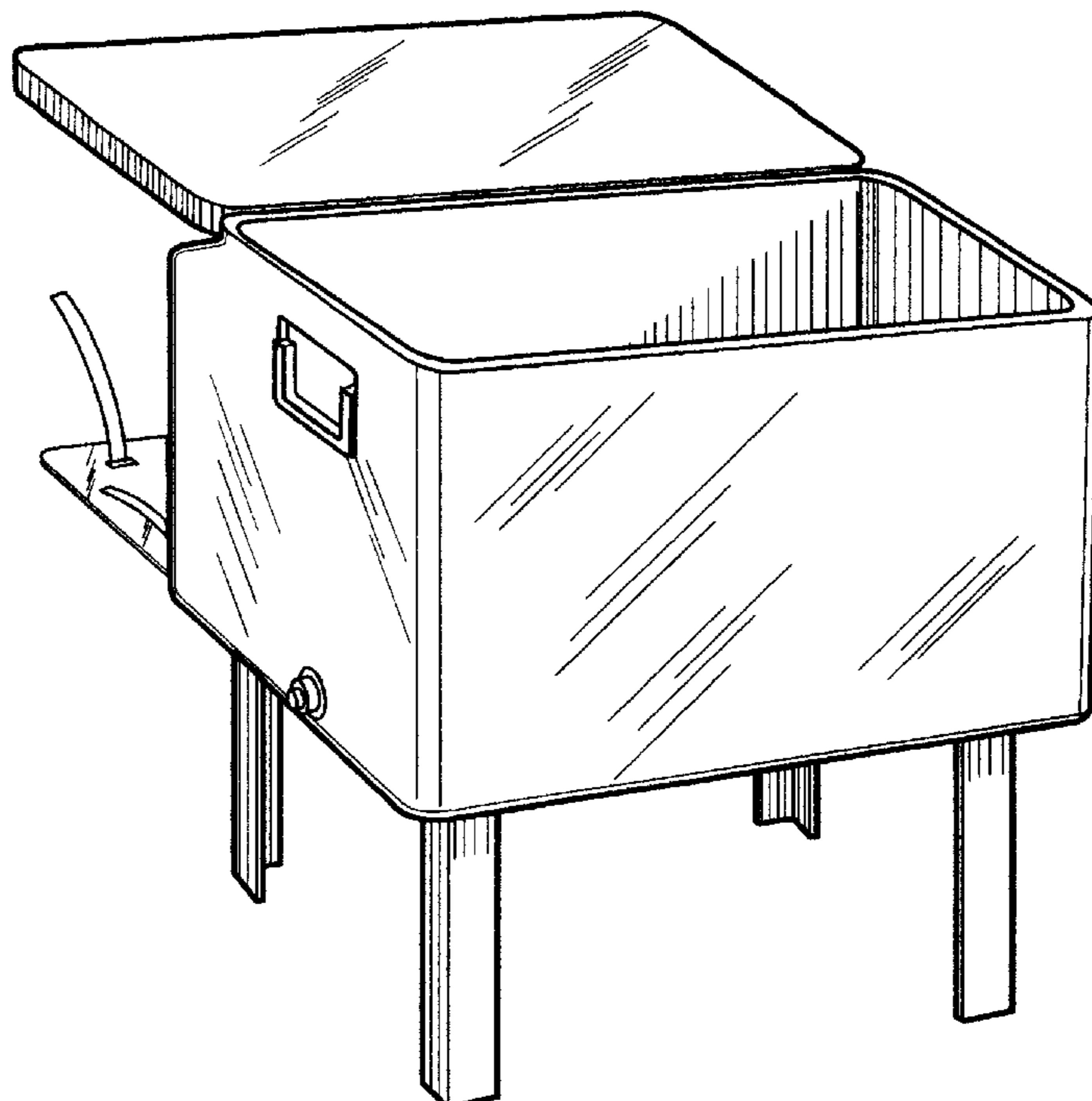
Primary Examiner—Terry A. Wallace
(74) *Attorney, Agent, or Firm*—Joy L. Bryant

FIG. 11 is a back view of the cooler showing the legs in the
stored position.

FIG. 12 is a left side view of the cooler showing the legs in
the stored position; and,

FIG. 13 is a top view of the cooler showing the legs in the
stored position.

1 Claim, 5 Drawing Sheets



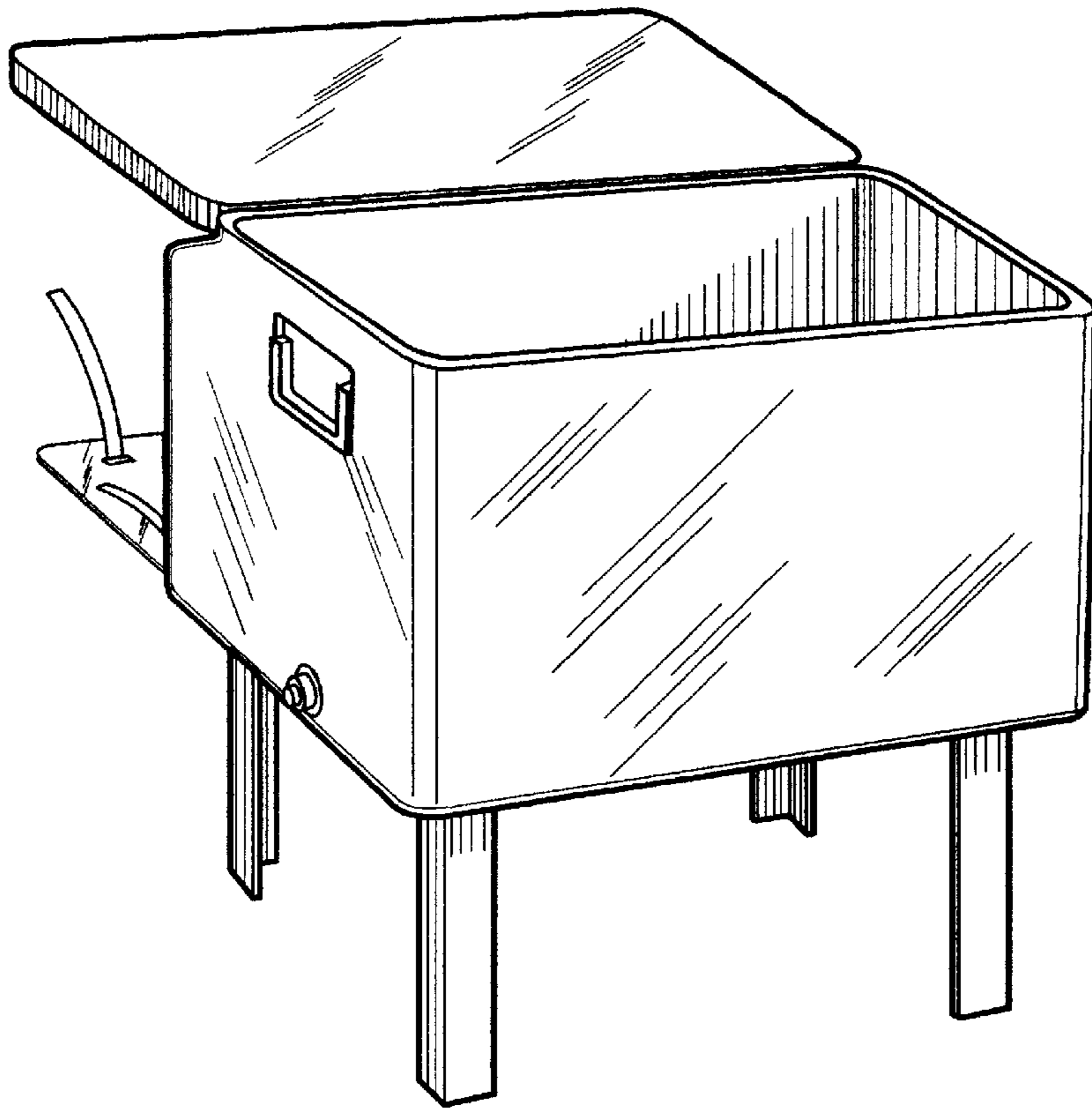


FIG. 1

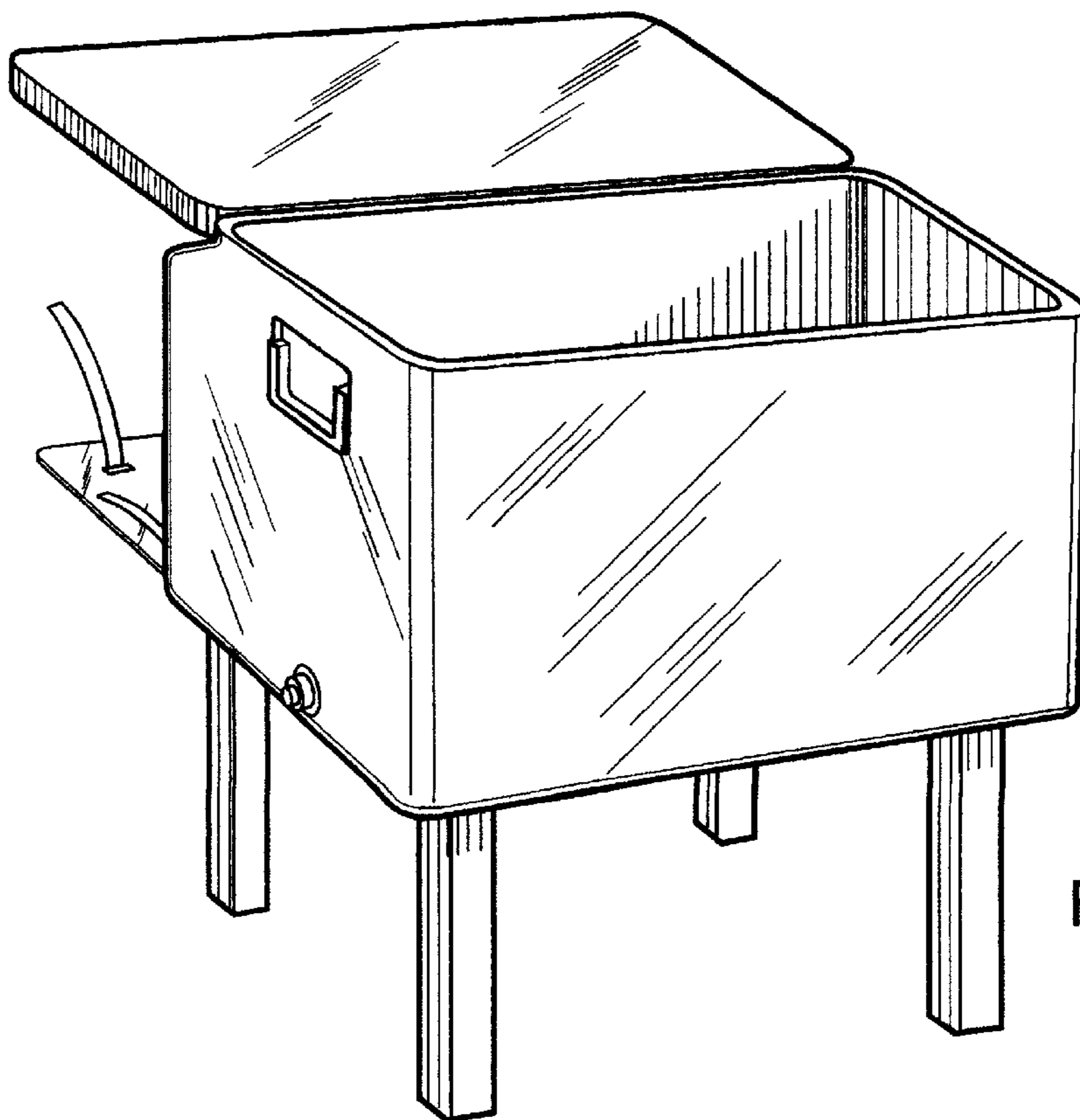


FIG. 2

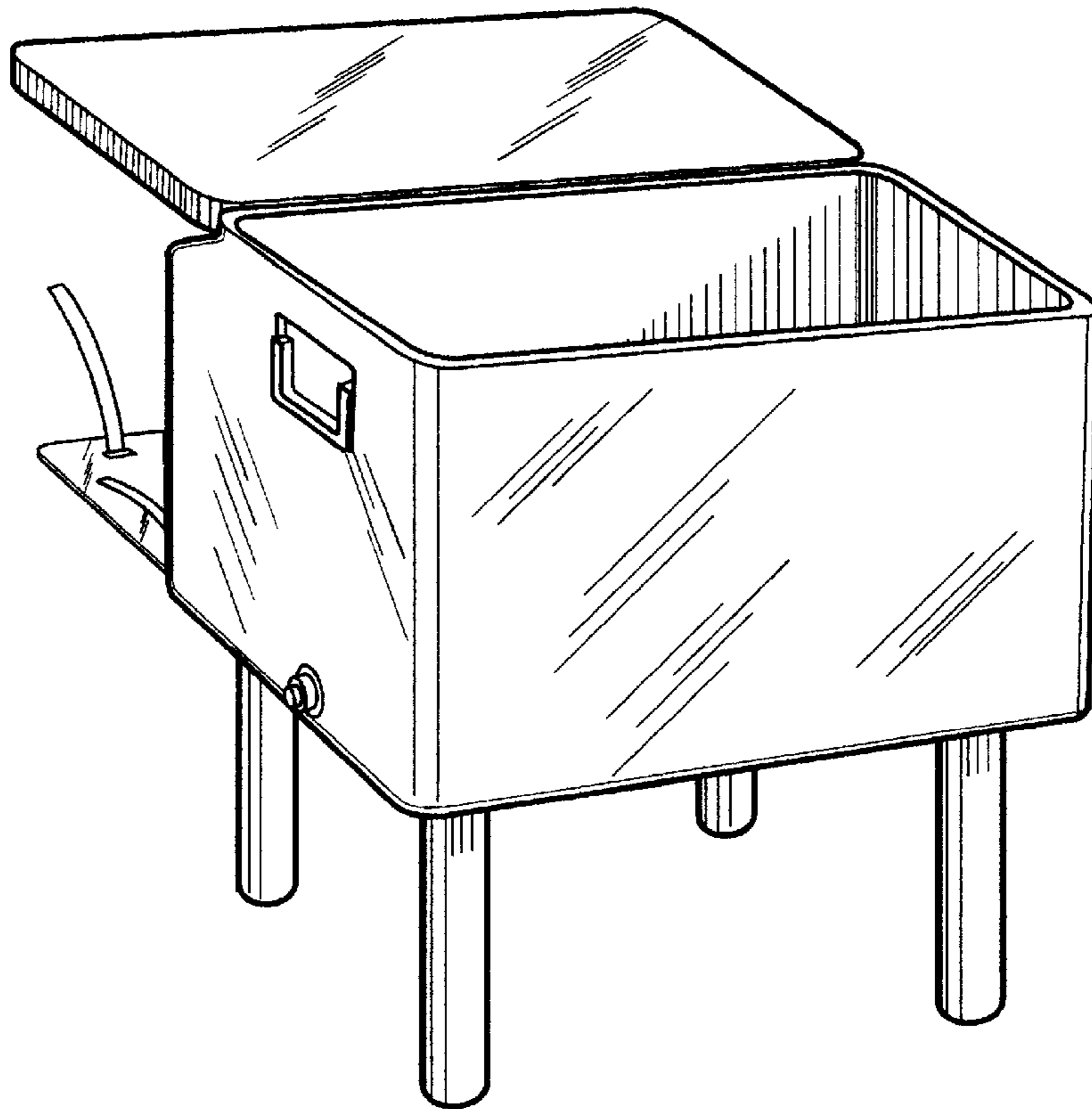


FIG. 3

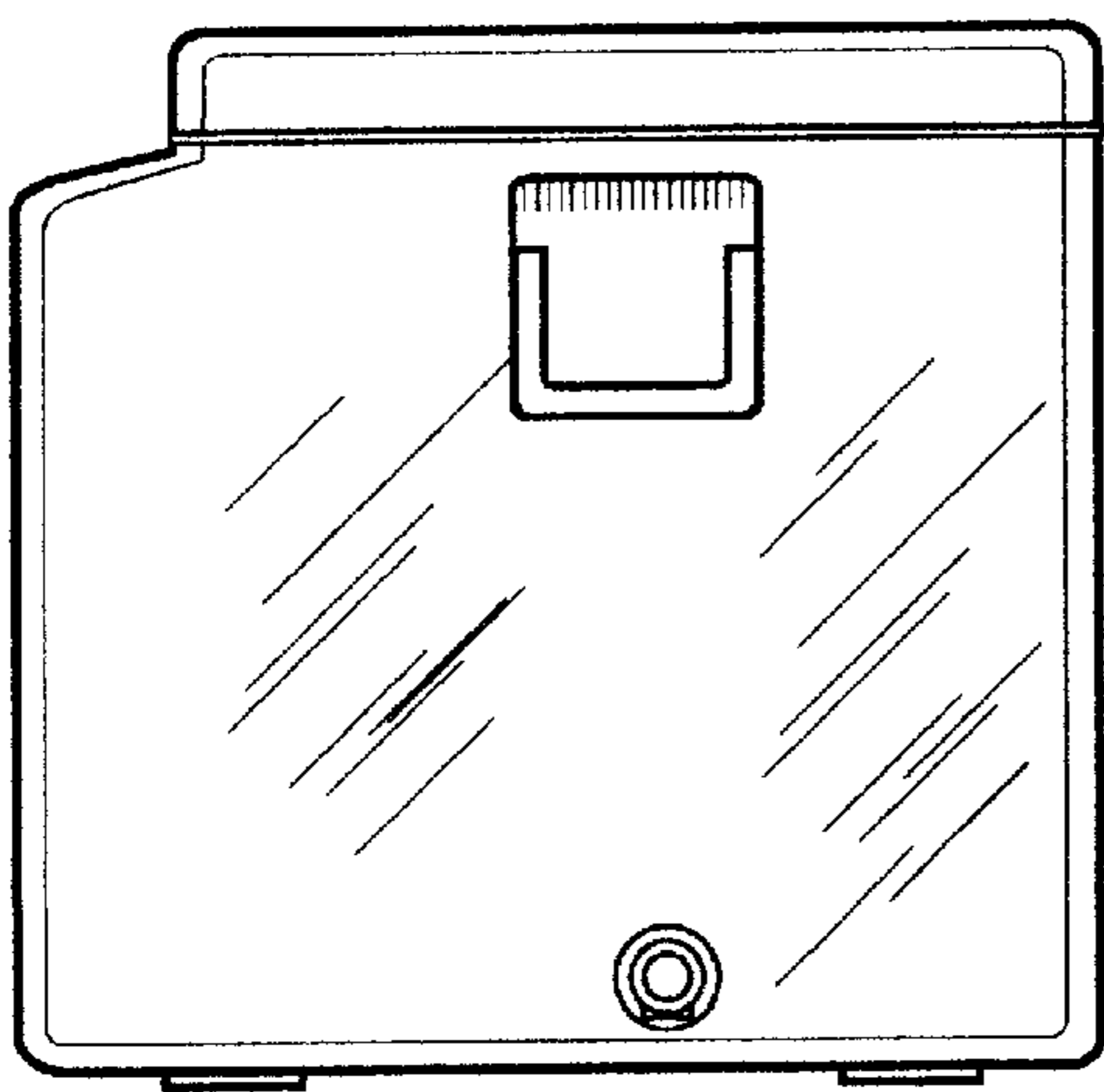


FIG. 4

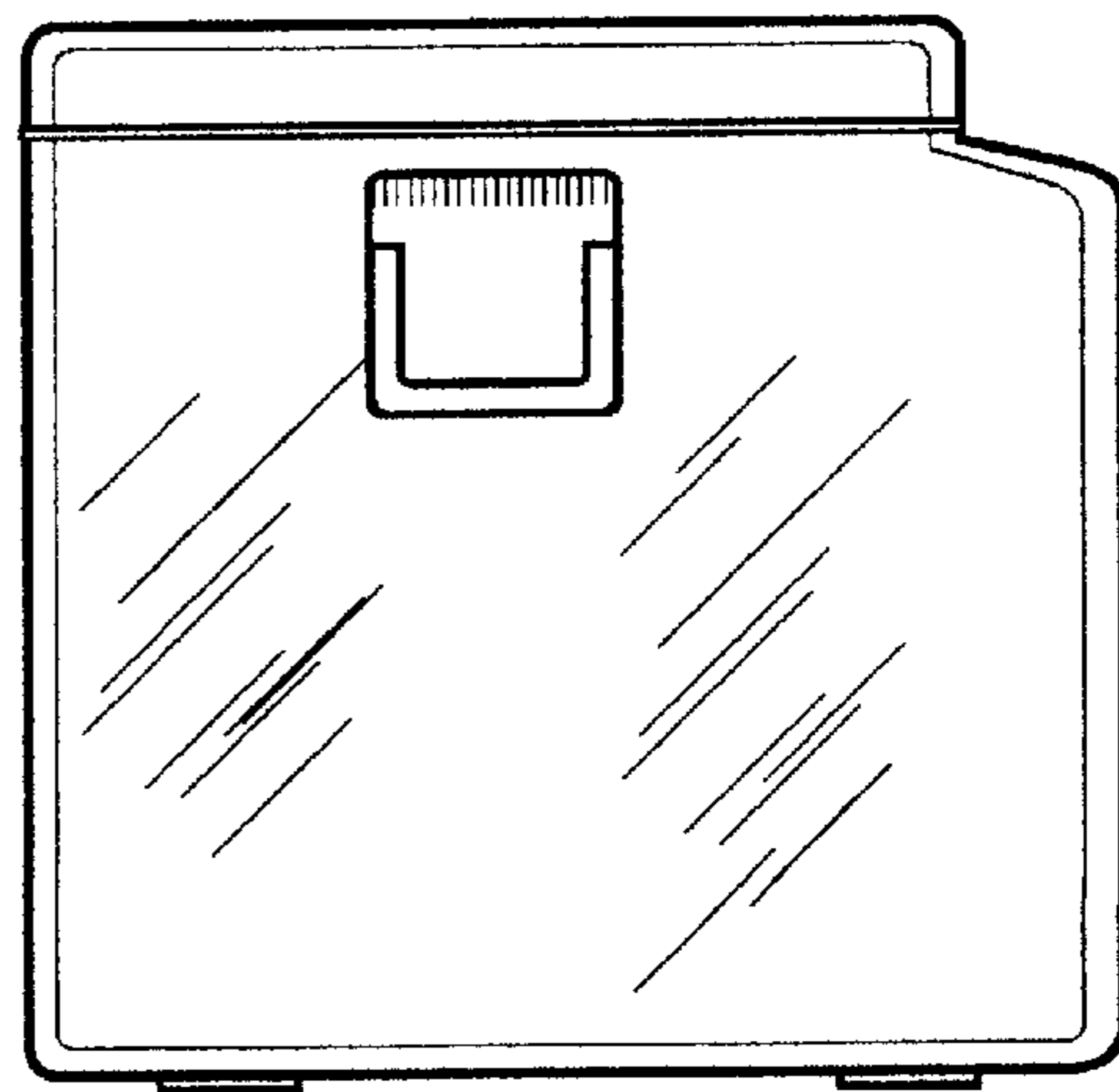


FIG. 5

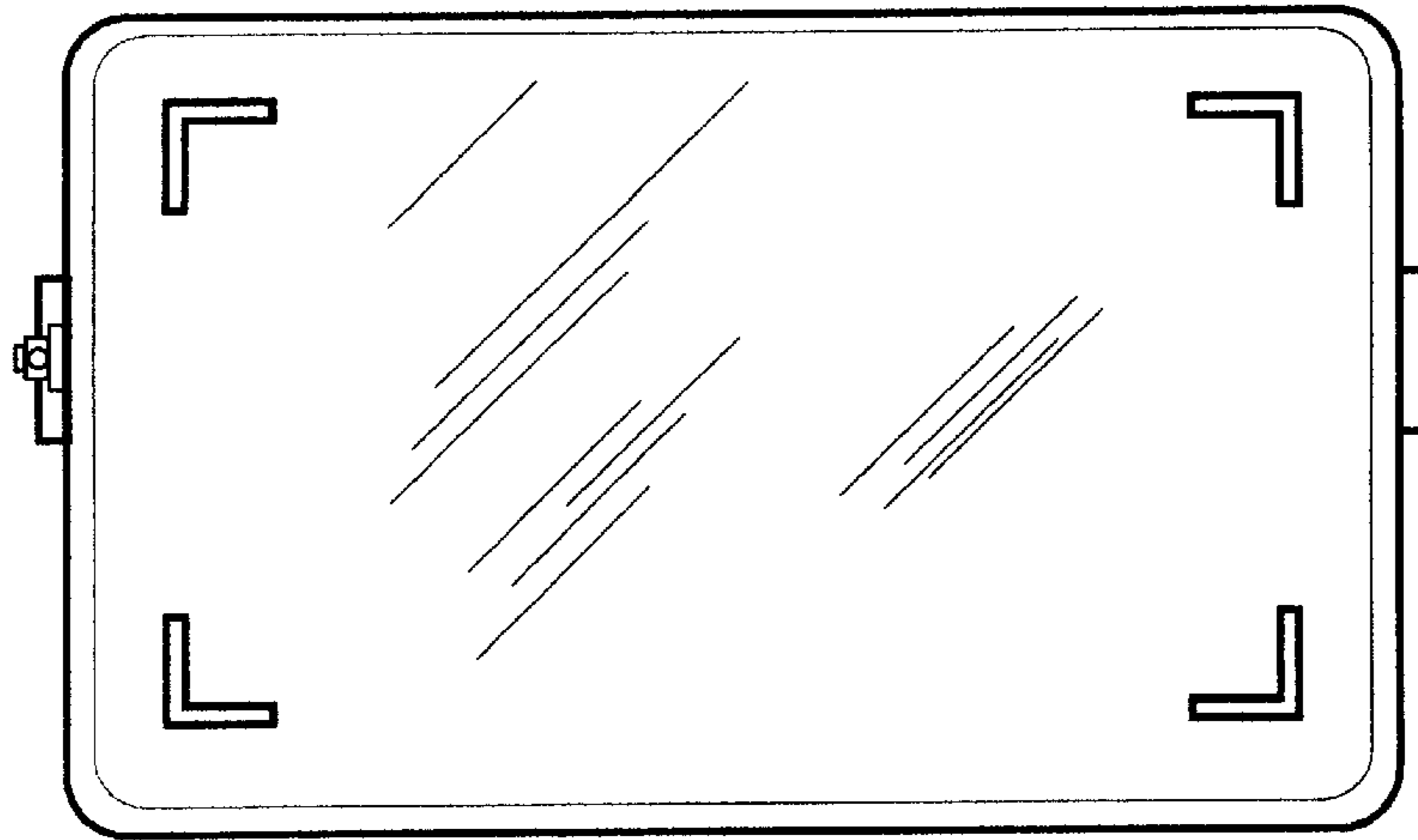


FIG. 6

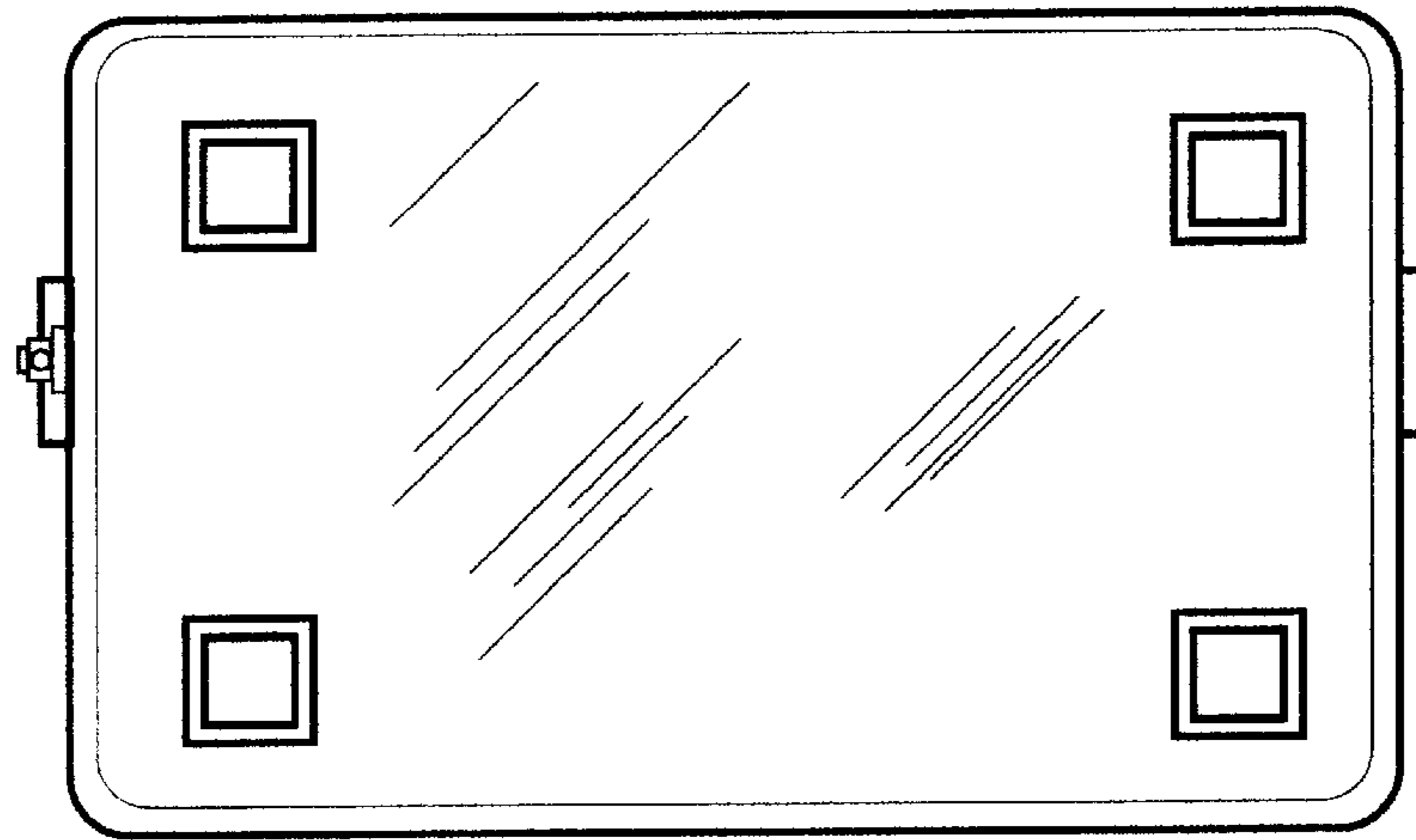


FIG. 7

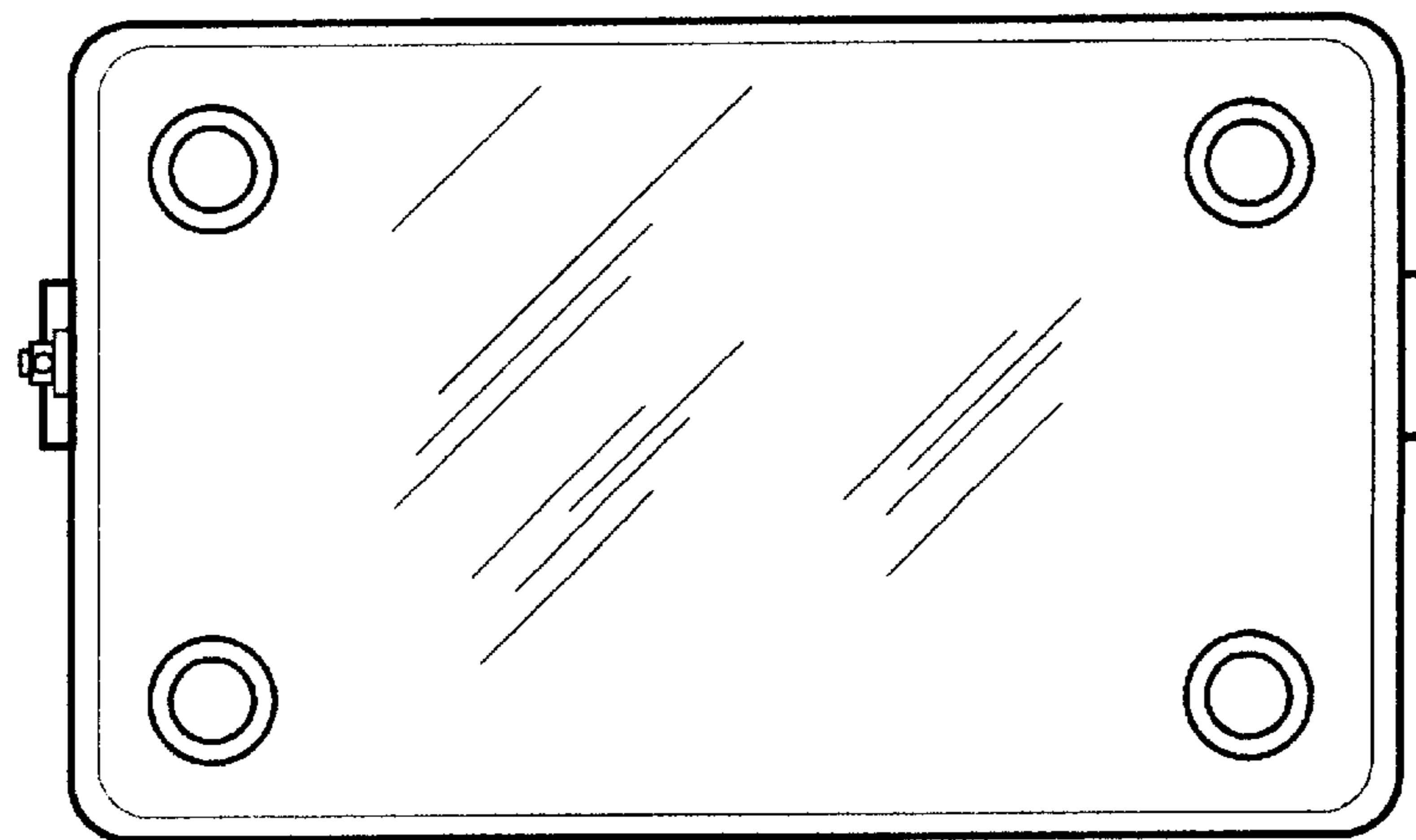


FIG. 8

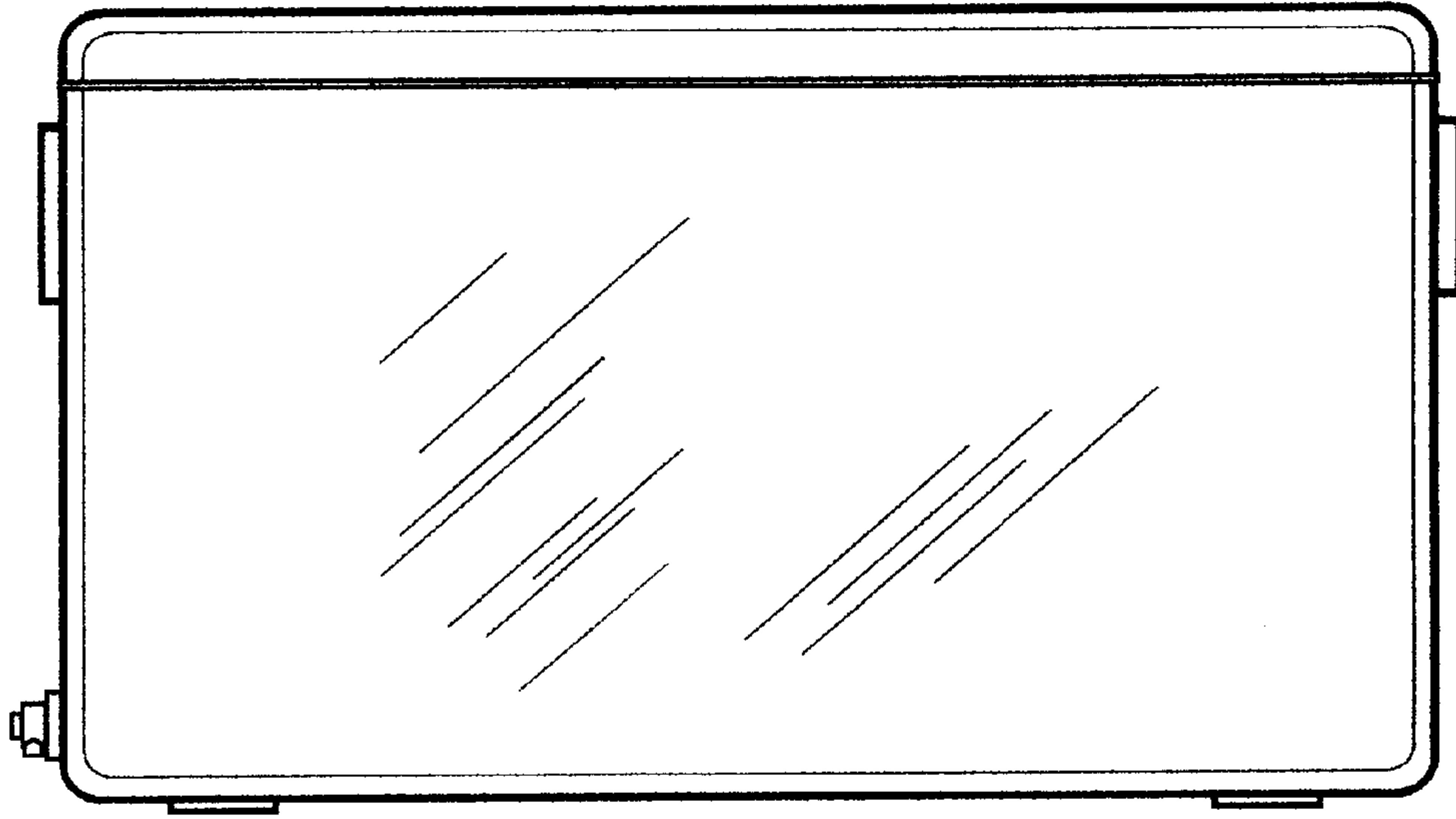


FIG. 9

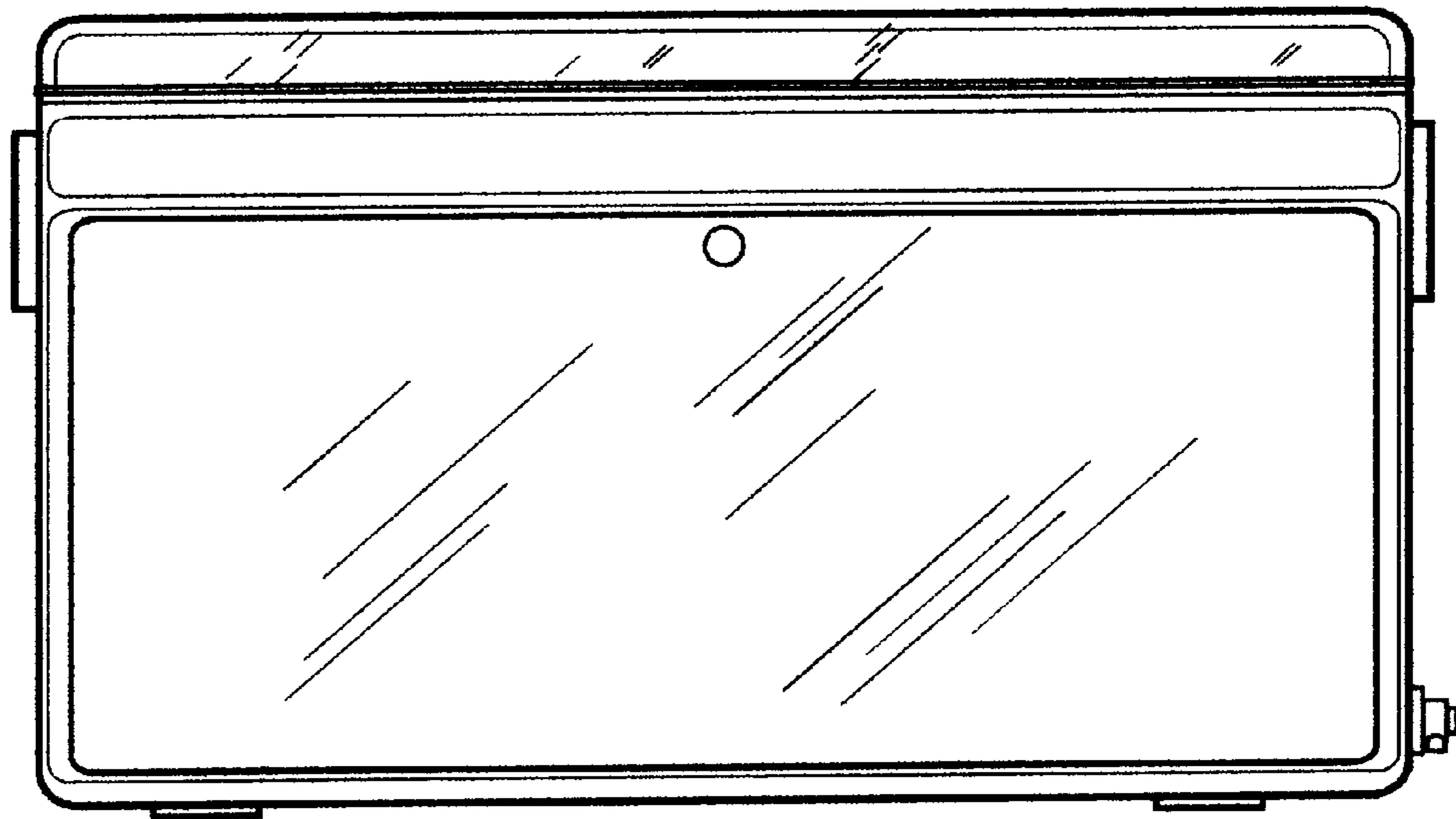


FIG. 10

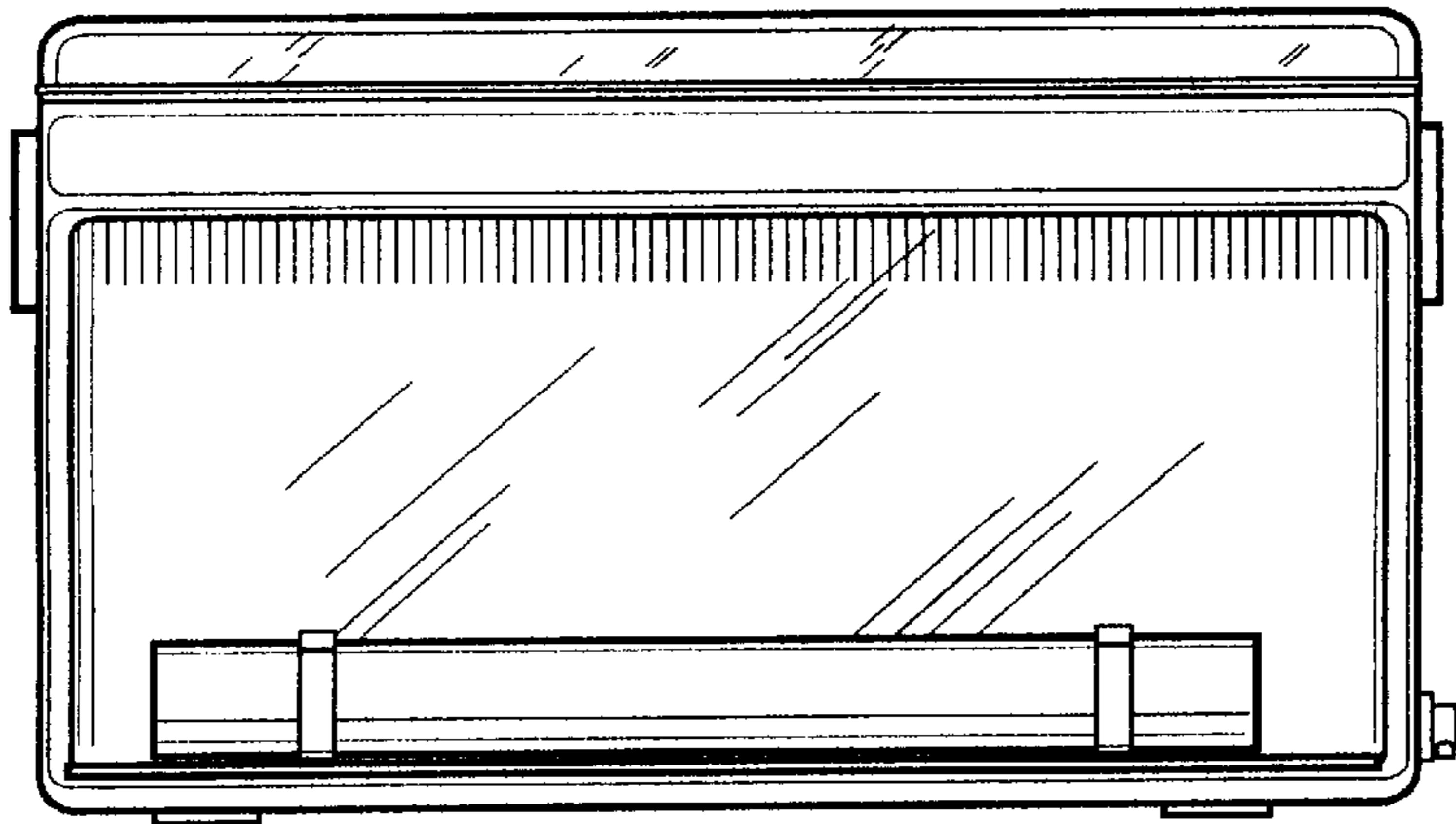


FIG. 11

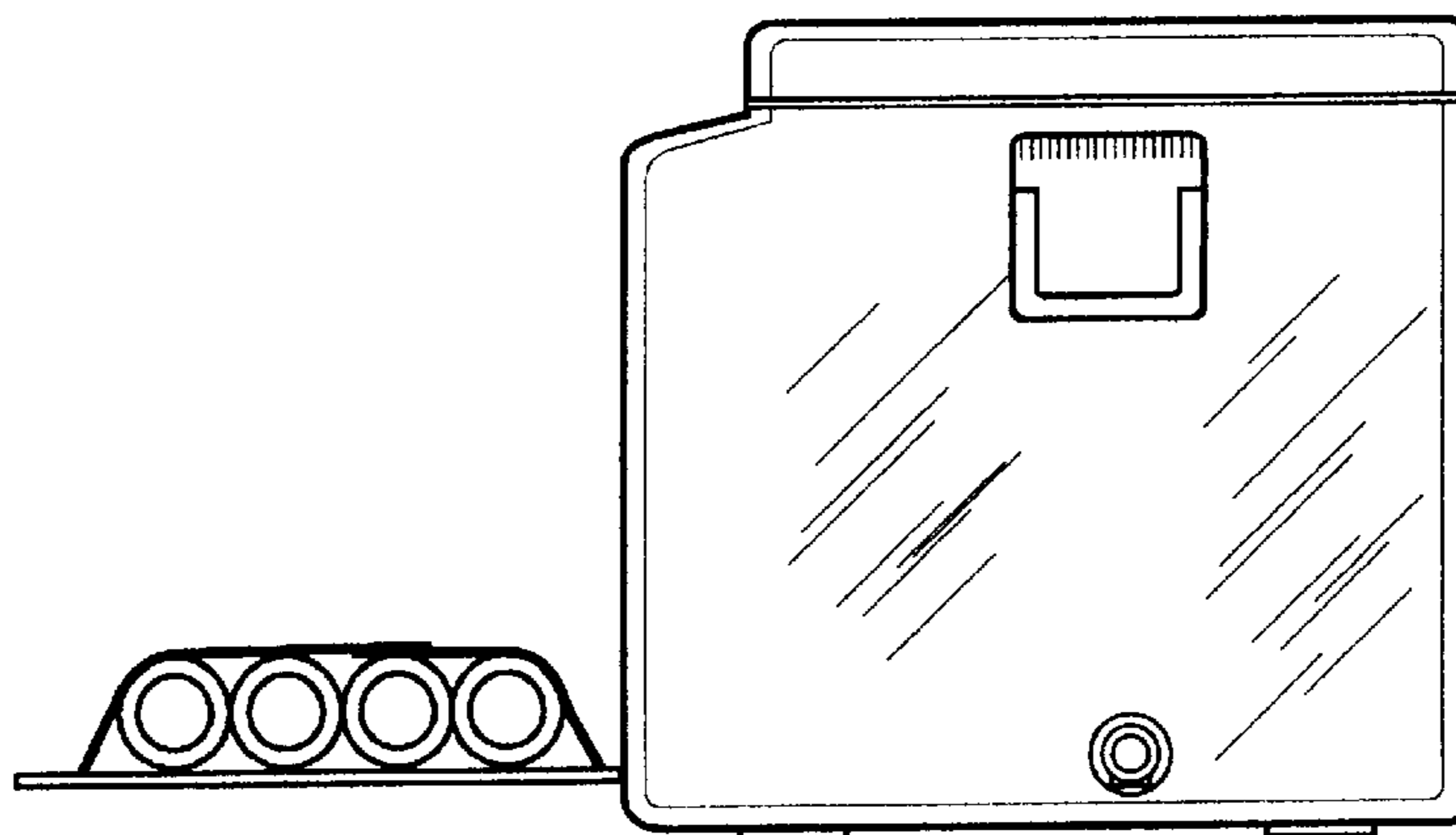


FIG. 12

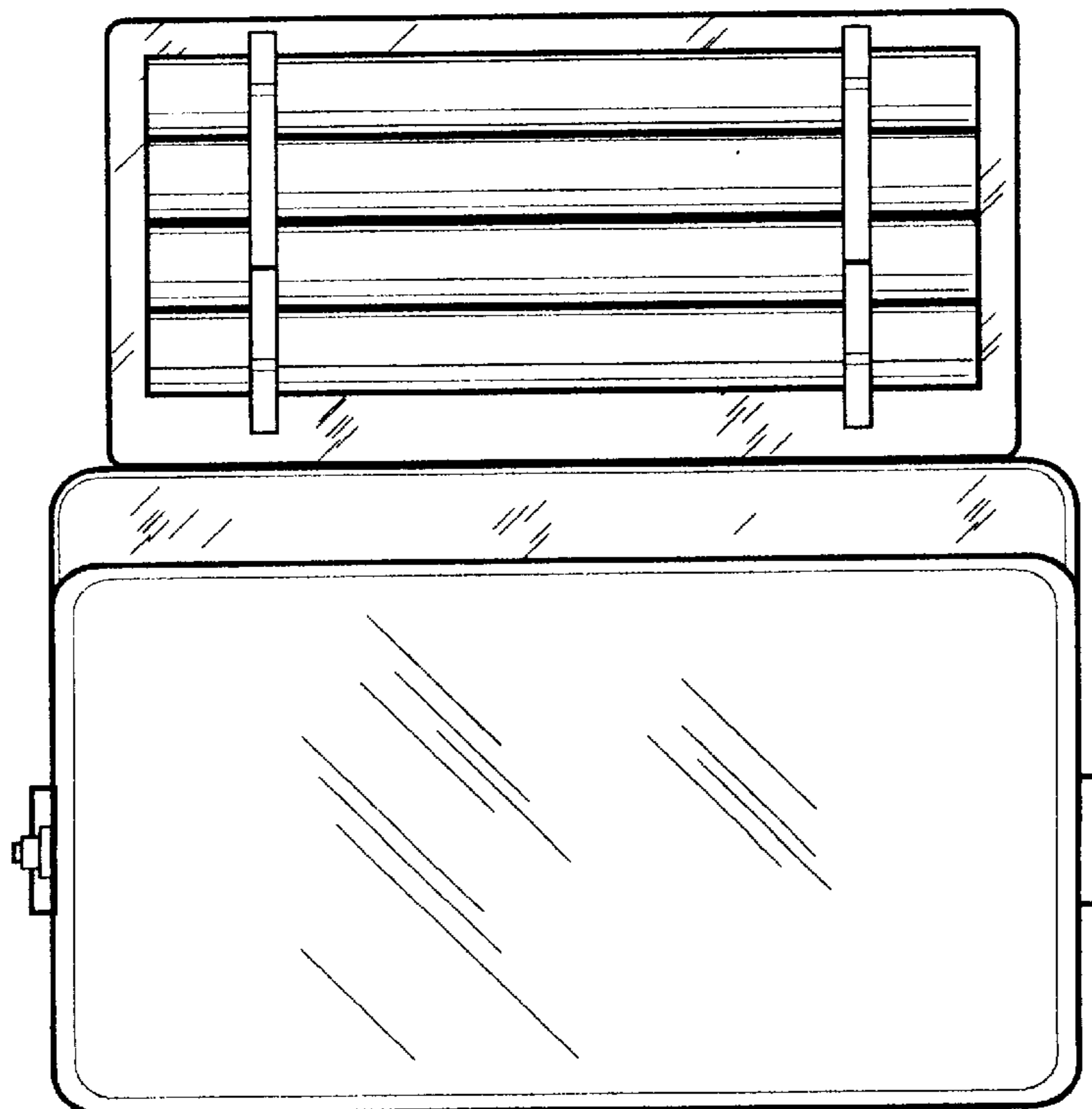


FIG. 13