



US00D437730S

(12) **United States Design Patent**  
**Littmann**

(10) **Patent No.:** **US D437,730 S**

(45) **Date of Patent:** **\*\* Feb. 20, 2001**

(54) **WORKING BOWL FOR FOOD**

D. 400,050 \* 10/1998 Littmann ..... D7/412

D. 404,253 \* 1/1999 Littmann ..... D7/412

1,171,922 \* 2/1916 Bordwell ..... 366/245

(75) Inventor: **Ludwig Littmann**, Kronberg (DE)

(73) Assignee: **Braun GmbH** (DE)

\* cited by examiner

(\*\*) Term: **14 Years**

*Primary Examiner*—Caron D. Veynar

(74) *Attorney, Agent, or Firm*—Fish & Richardson P.C.

(21) Appl. No.: **29/120,687**

(22) Filed: **Mar. 21, 2000**

(57) **CLAIM**

(30) **Foreign Application Priority Data**

The ornamental design for a working bowl for food, as shown and described.

Oct. 6, 1999 (XH) ..... DMA /004 710

**DESCRIPTION**

(51) **LOC (7) Cl.** ..... **31-00**

FIG. 1 is a front perspective view of the working bowl;

(52) **U.S. Cl.** ..... **D7/412**

FIG. 2 is a left side view of the working bowl;

(58) **Field of Search** ..... D7/376–386, 412,

FIG. 3 is a right side view of the working bowl;

D7/413; 366/197, 199, 205, 241, 244–247,

FIG. 4 is a top view of the working bowl; and,

251, 299, 314

FIG. 5 is a bottom view of the working bowl.

(56) **References Cited**

**U.S. PATENT DOCUMENTS**

D. 155,089 \* 9/1949 Karstadt ..... D7/378

**1 Claim, 3 Drawing Sheets**

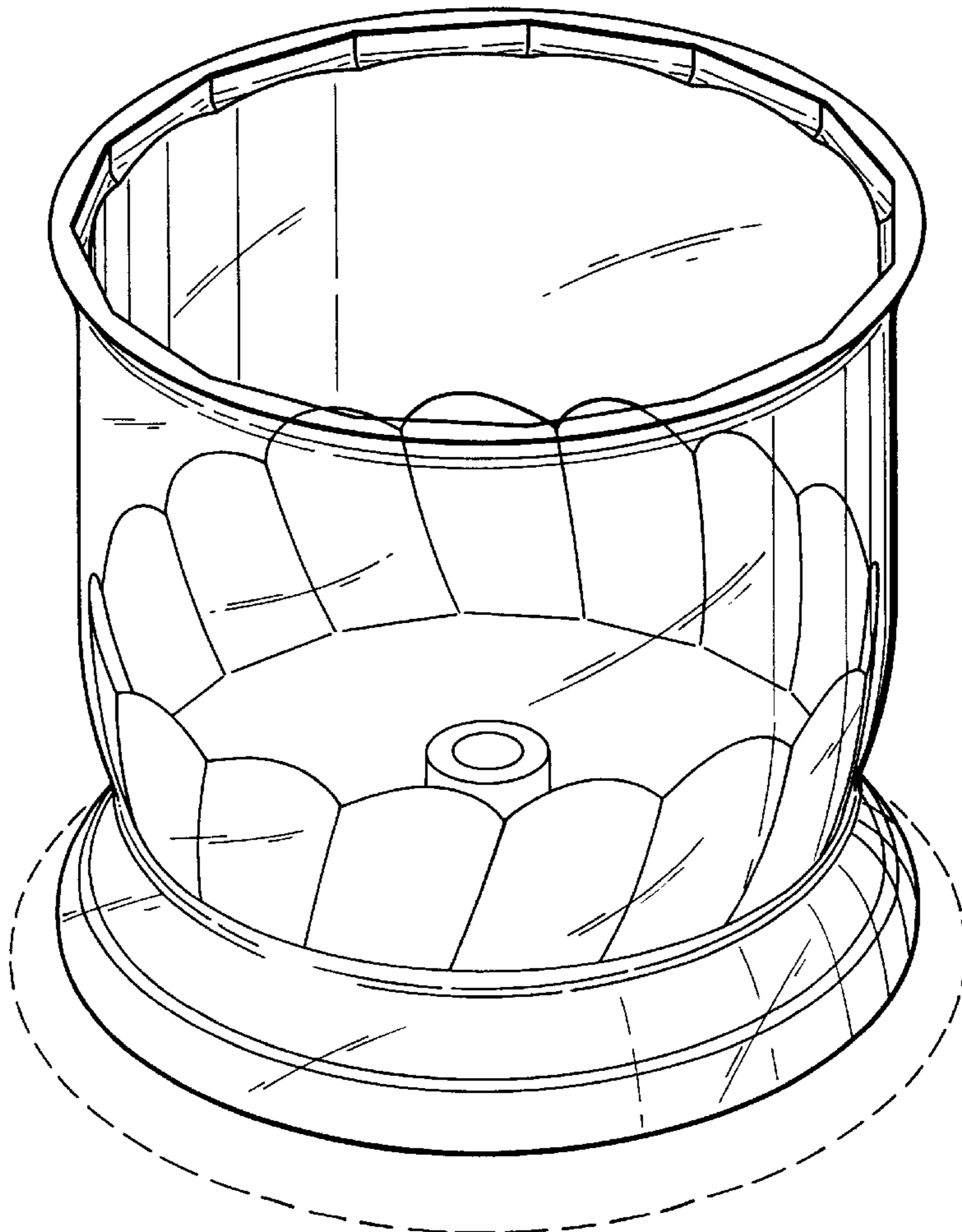


FIG. 1

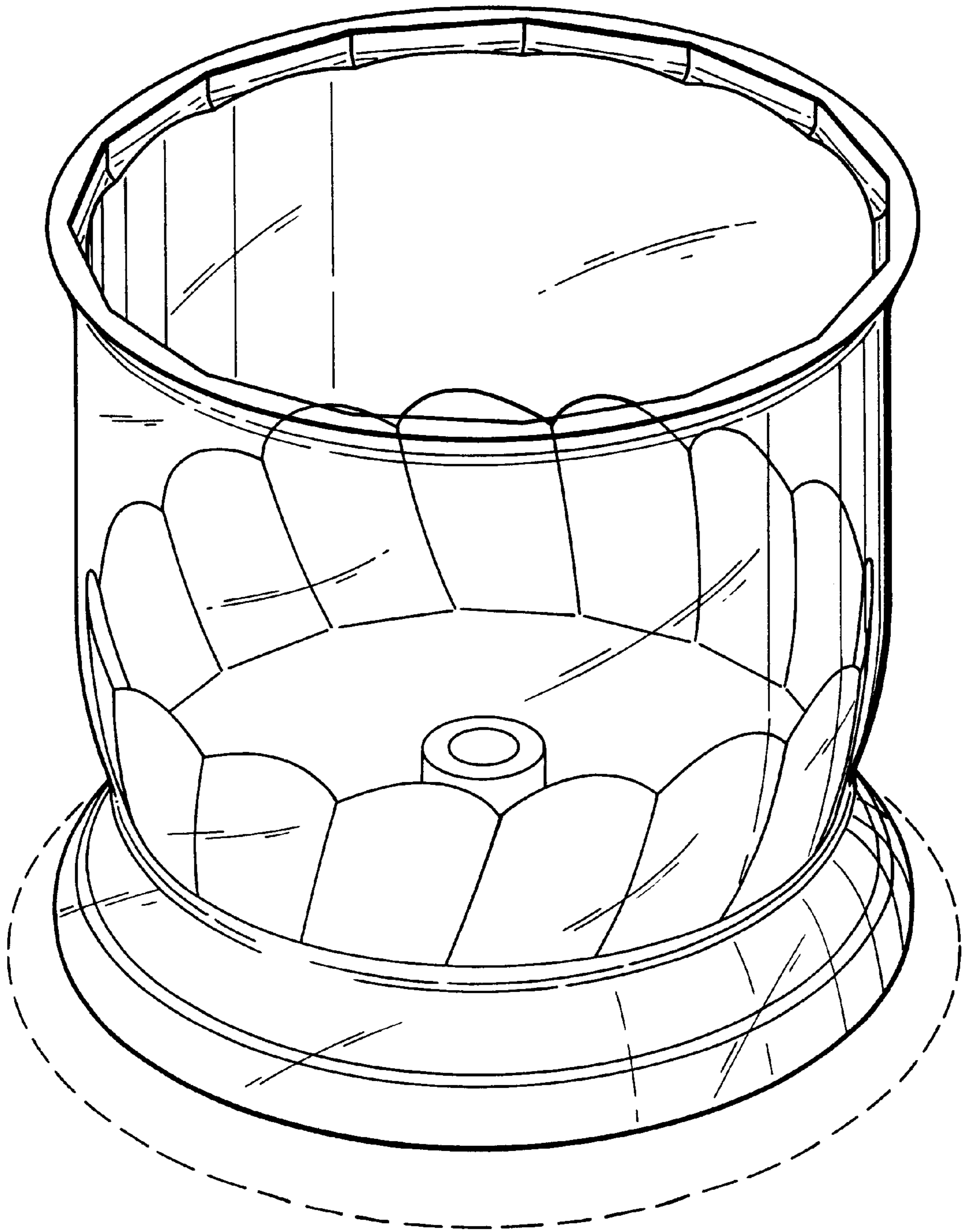


FIG. 4

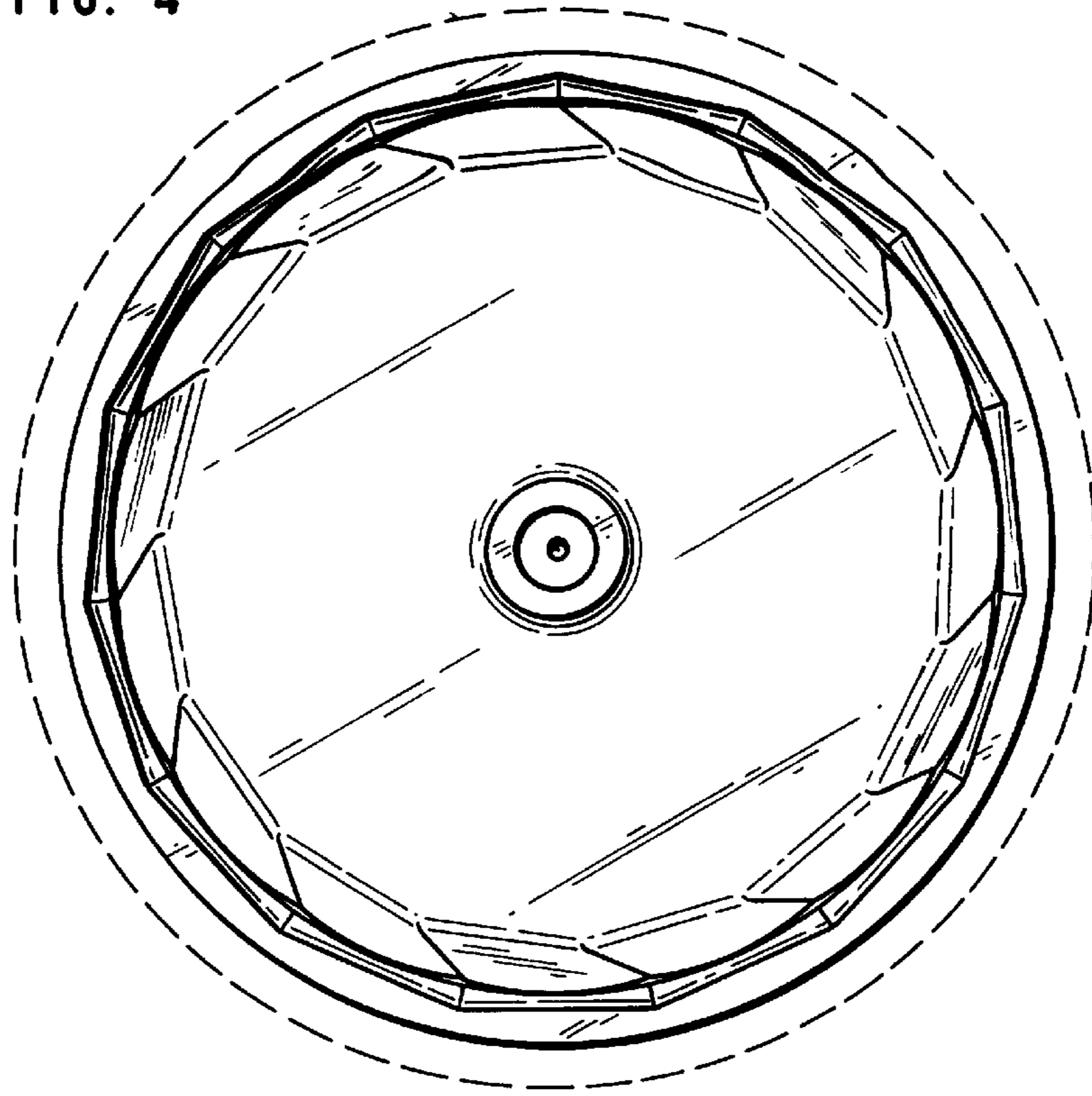


FIG. 2

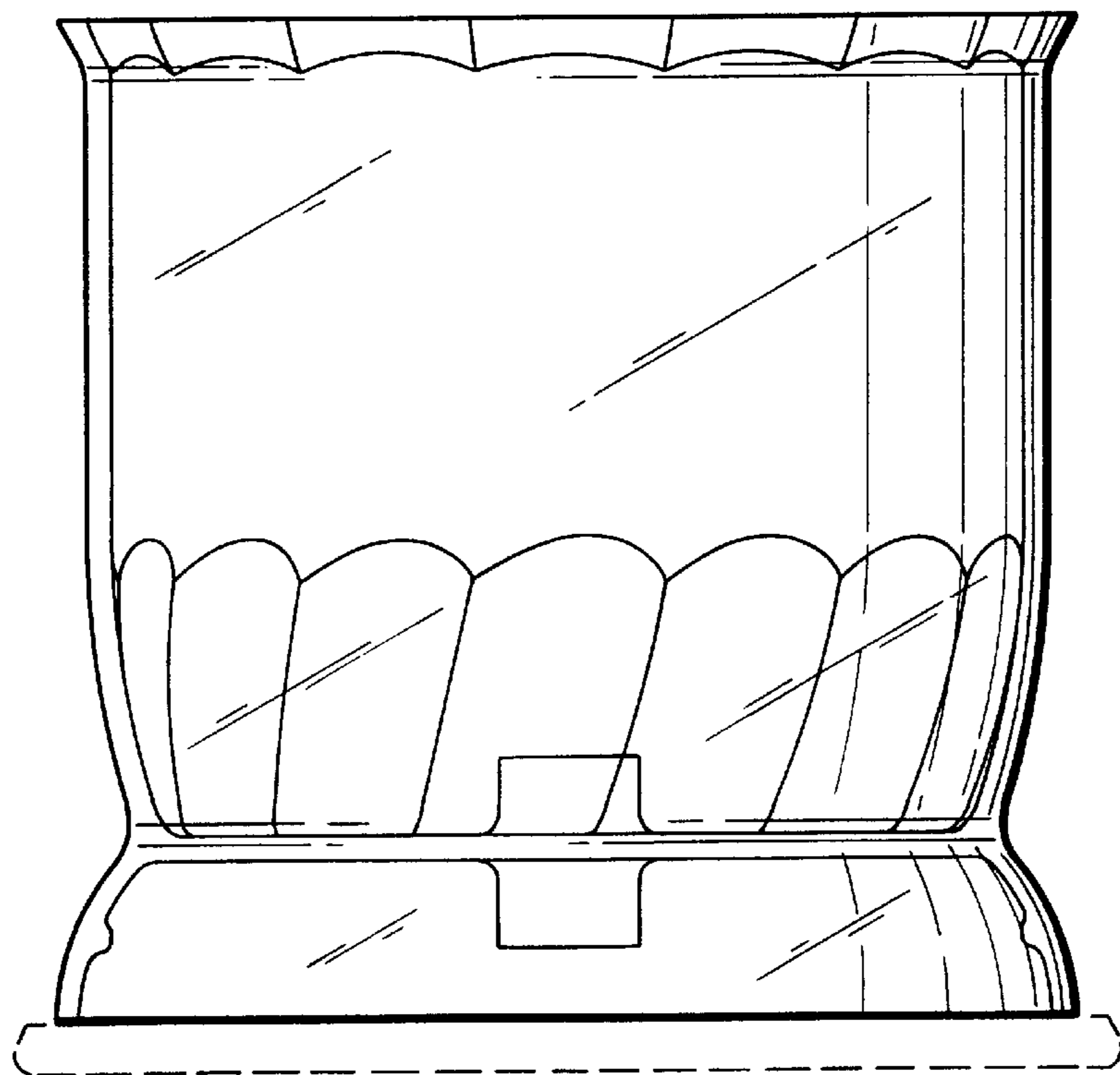


FIG. 3

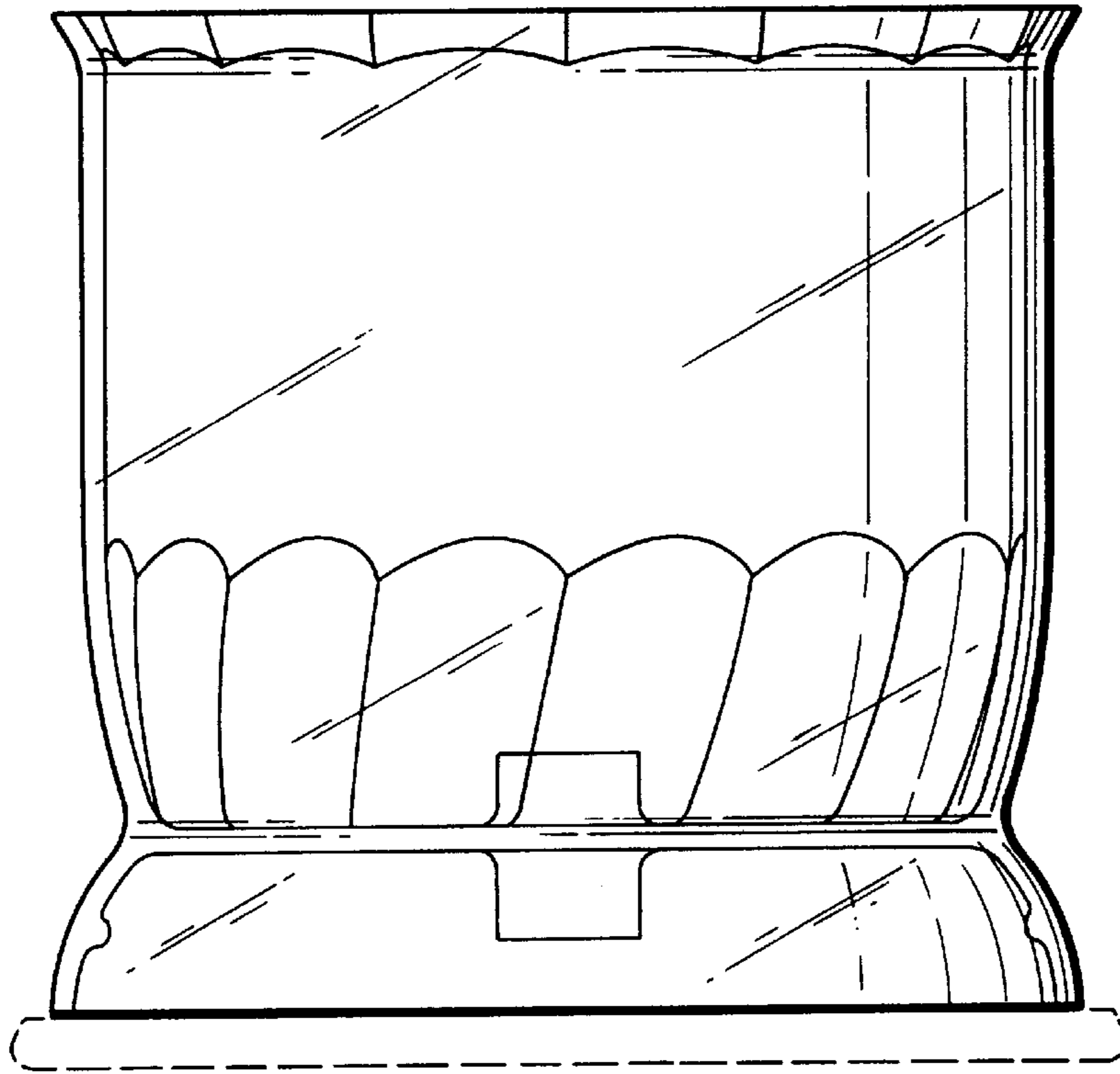


FIG. 5

