



US00D437728S

(12) **United States Design Patent**
Thackray

(10) **Patent No.:** **US D437,728 S**

(45) **Date of Patent:** **** Feb. 20, 2001**

(54) **PEDESTAL FOR BLENDER**

(75) **Inventor:** **Donald Thackray**, Groningen (NL)

(73) **Assignee:** **U.S. Philips Corporation**, New York, NY (US)

(**) **Term:** **14 Years**

(21) **Appl. No.:** **29/125,001**

(22) **Filed:** **Jun. 14, 2000**

(30) **Foreign Application Priority Data**

Jan. 27, 2000 (XH) DMA/004 772

(51) **LOC (7) Cl.** **31-00**

(52) **U.S. Cl.** **D7/386**

(58) **Field of Search** D7/376-386; 366/197,
366/199, 205, 241, 244-247, 251, 314;
318/811

(56) **References Cited**

U.S. PATENT DOCUMENTS

D. 209,652 * 12/1967 Weiss D7/386

D. 235,608 *	7/1975	Yoshida et al.	D7/378
D. 309,548 *	7/1990	McCloskey	D7/378
D. 343,547 *	1/1994	Levin	D7/386
D. 347,966 *	6/1994	Doggett	D7/378
5,347,205 *	9/1994	Piland	318/811

* cited by examiner

Primary Examiner—Caron D. Veynar

(74) *Attorney, Agent, or Firm*—Ernestine C. Bartlett

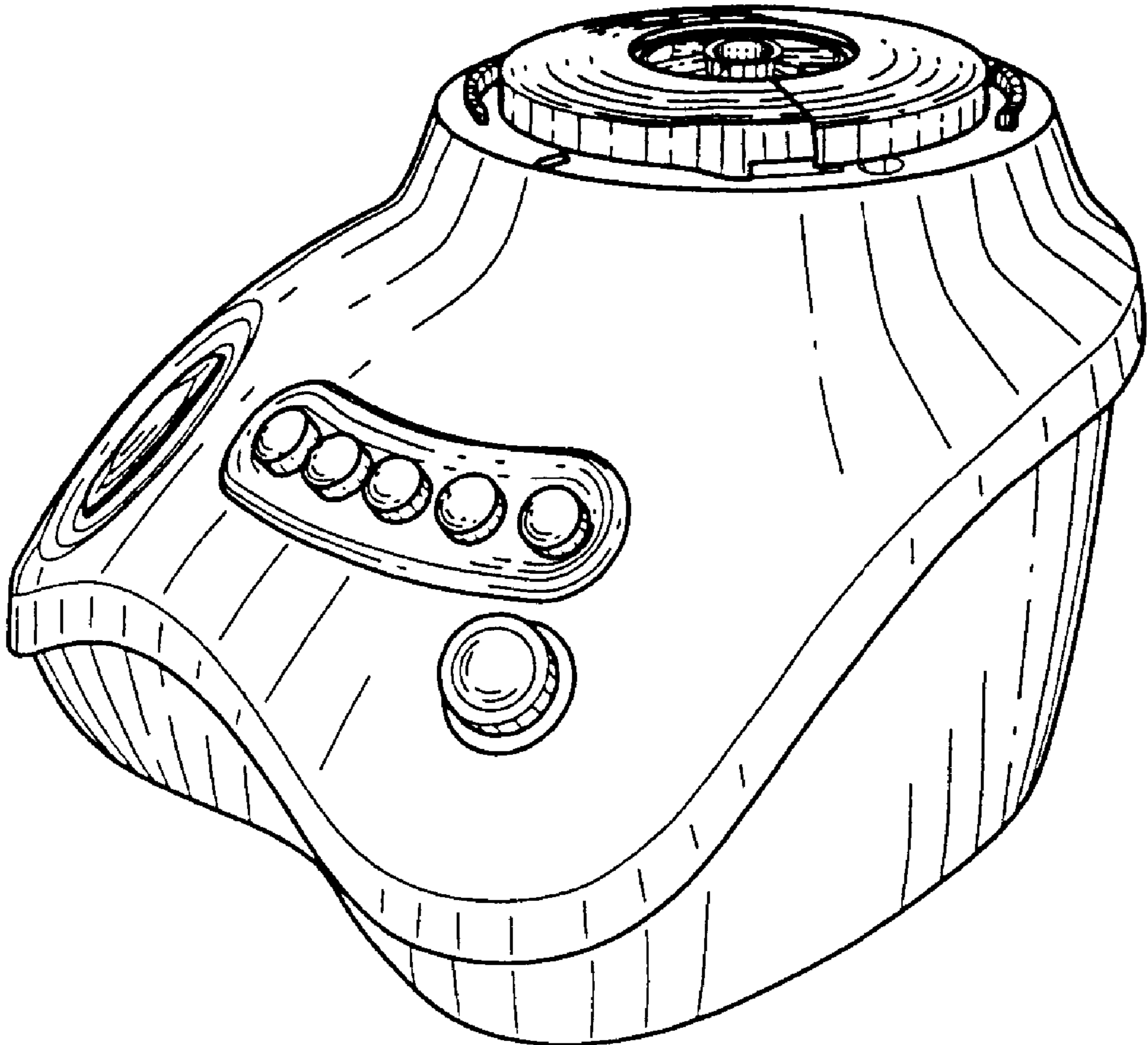
(57) **CLAIM**

The ornamental design for a pedestal for blender, as shown.

DESCRIPTION

FIG. 1 is a perspective view showing my design;
FIG. 2 is a front elevational view thereof;
FIG. 3 is a rear elevational view thereof;
FIG. 4 is a right side elevational view thereof;
FIG. 5 is a left side elevational view thereof;
FIG. 6 is a top plan view thereof; and,
FIG. 7 is a bottom plan view thereof.

1 Claim, 3 Drawing Sheets



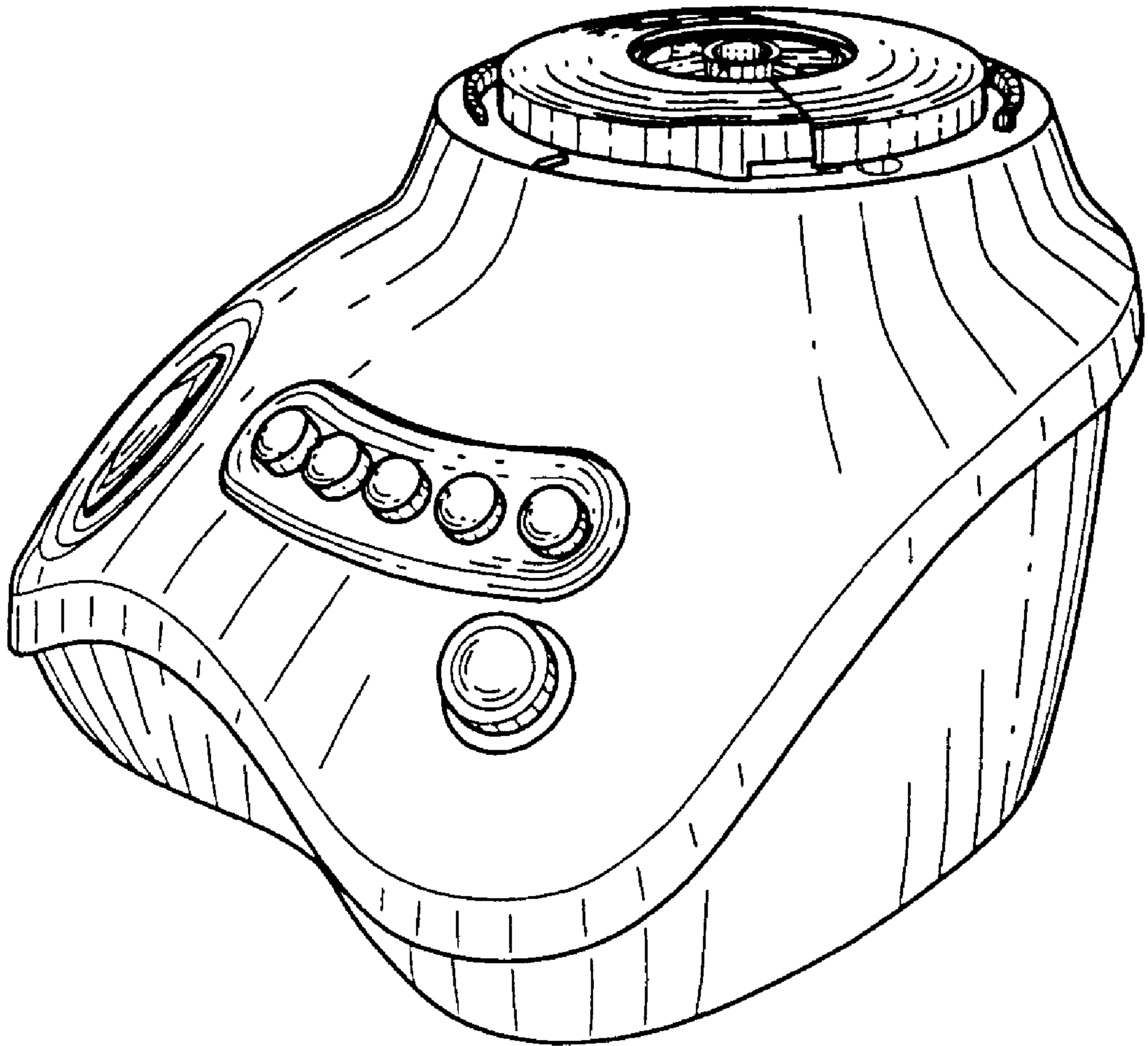


FIG. 1

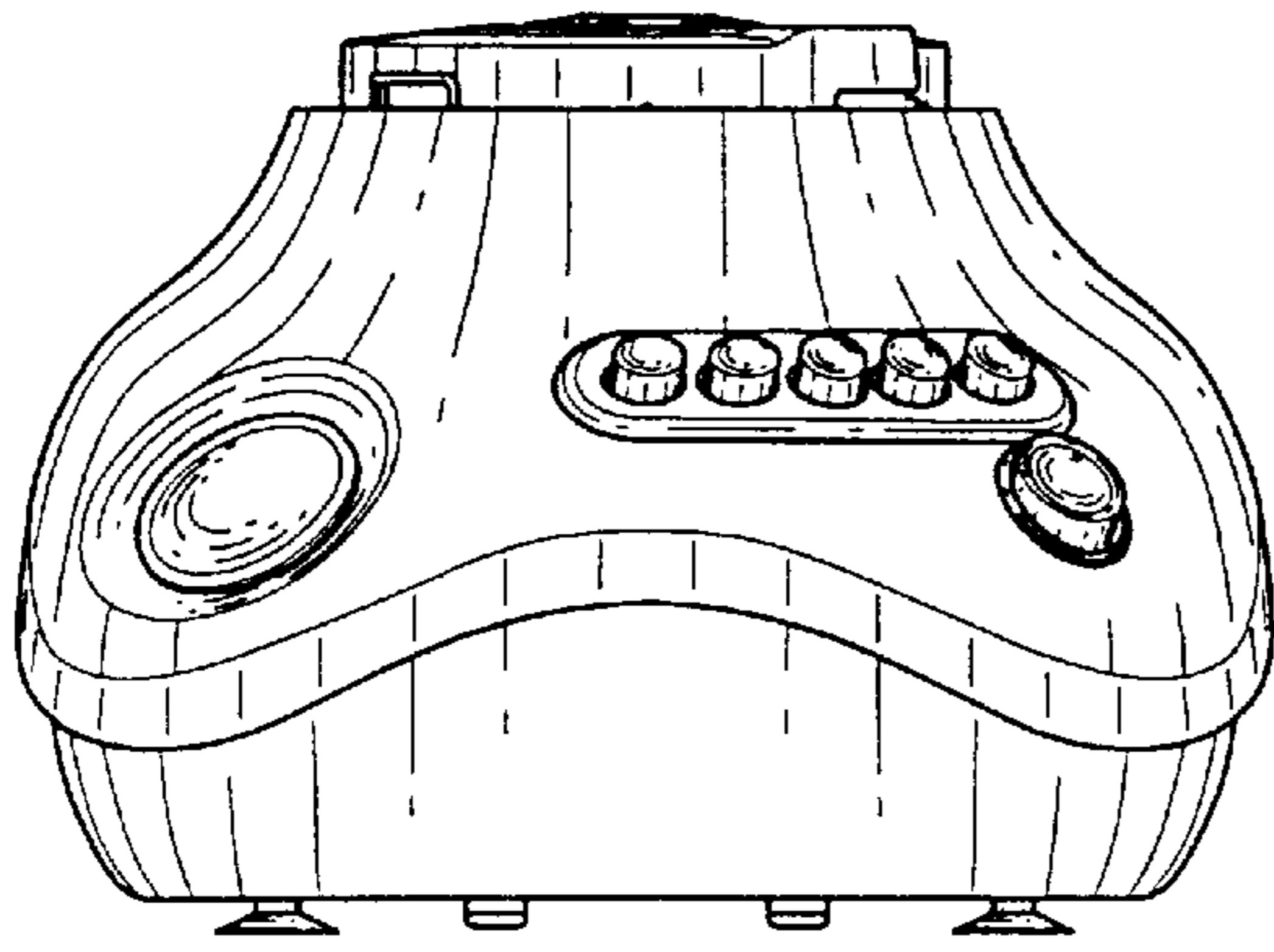


FIG. 2

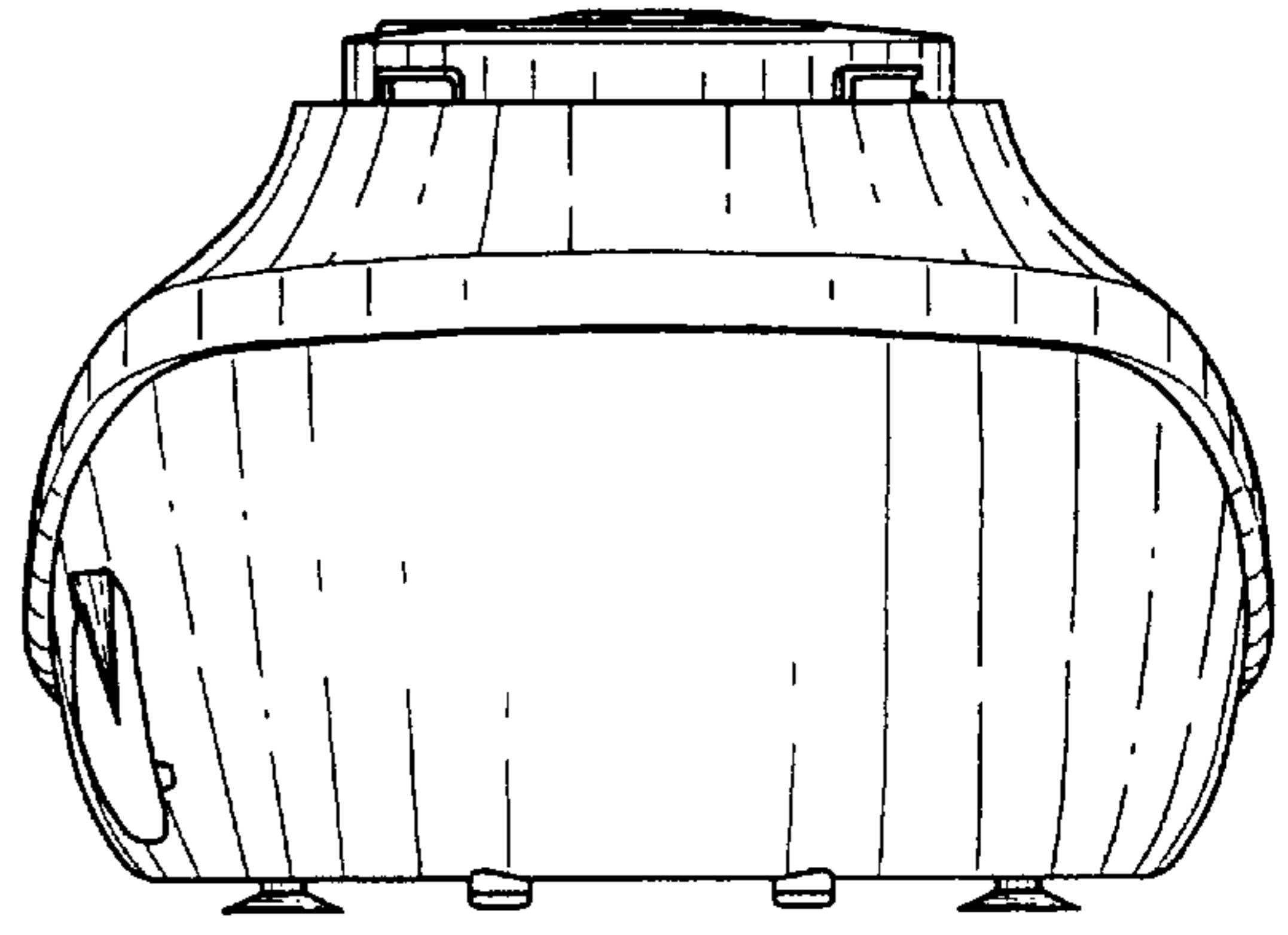


FIG. 3

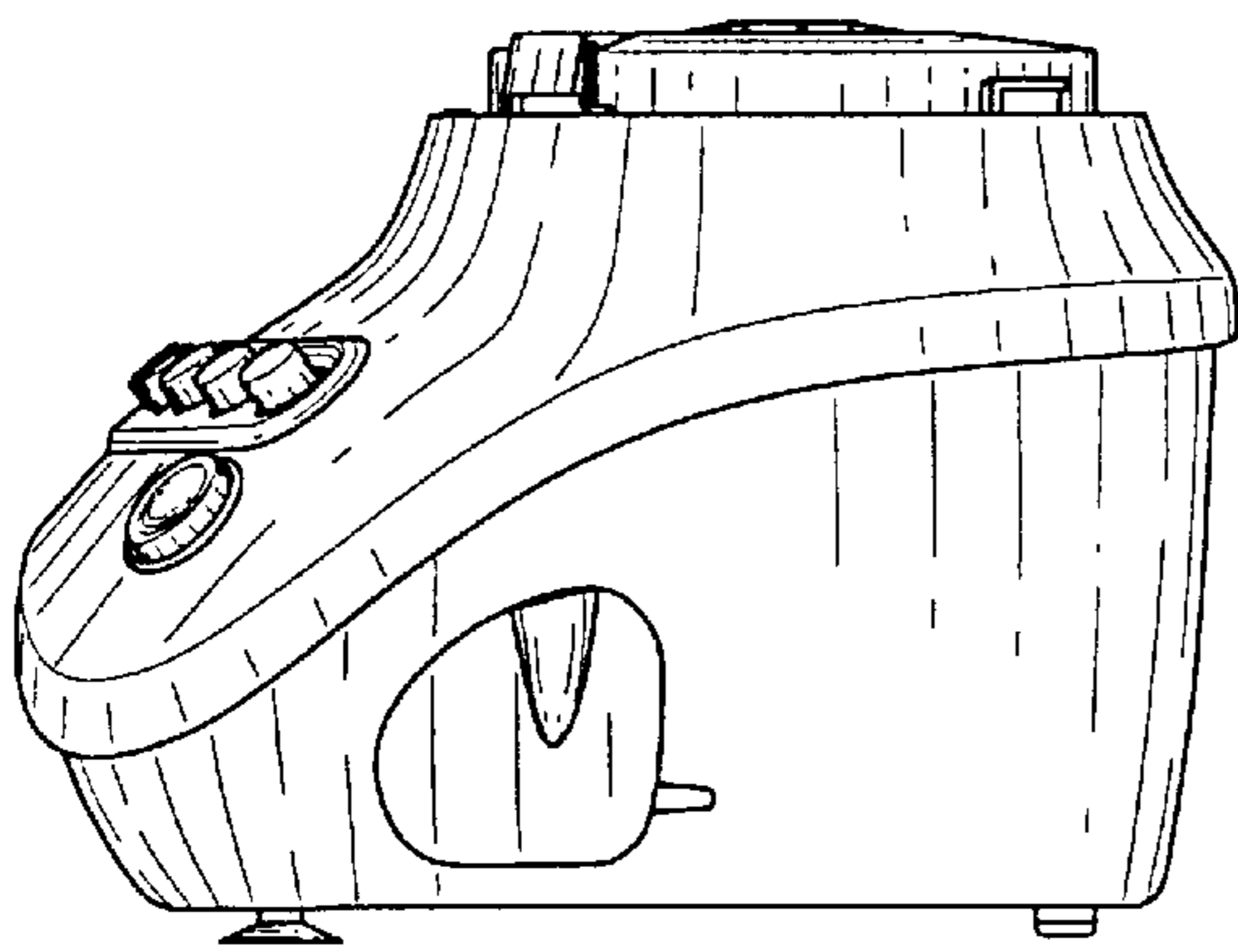


FIG. 4

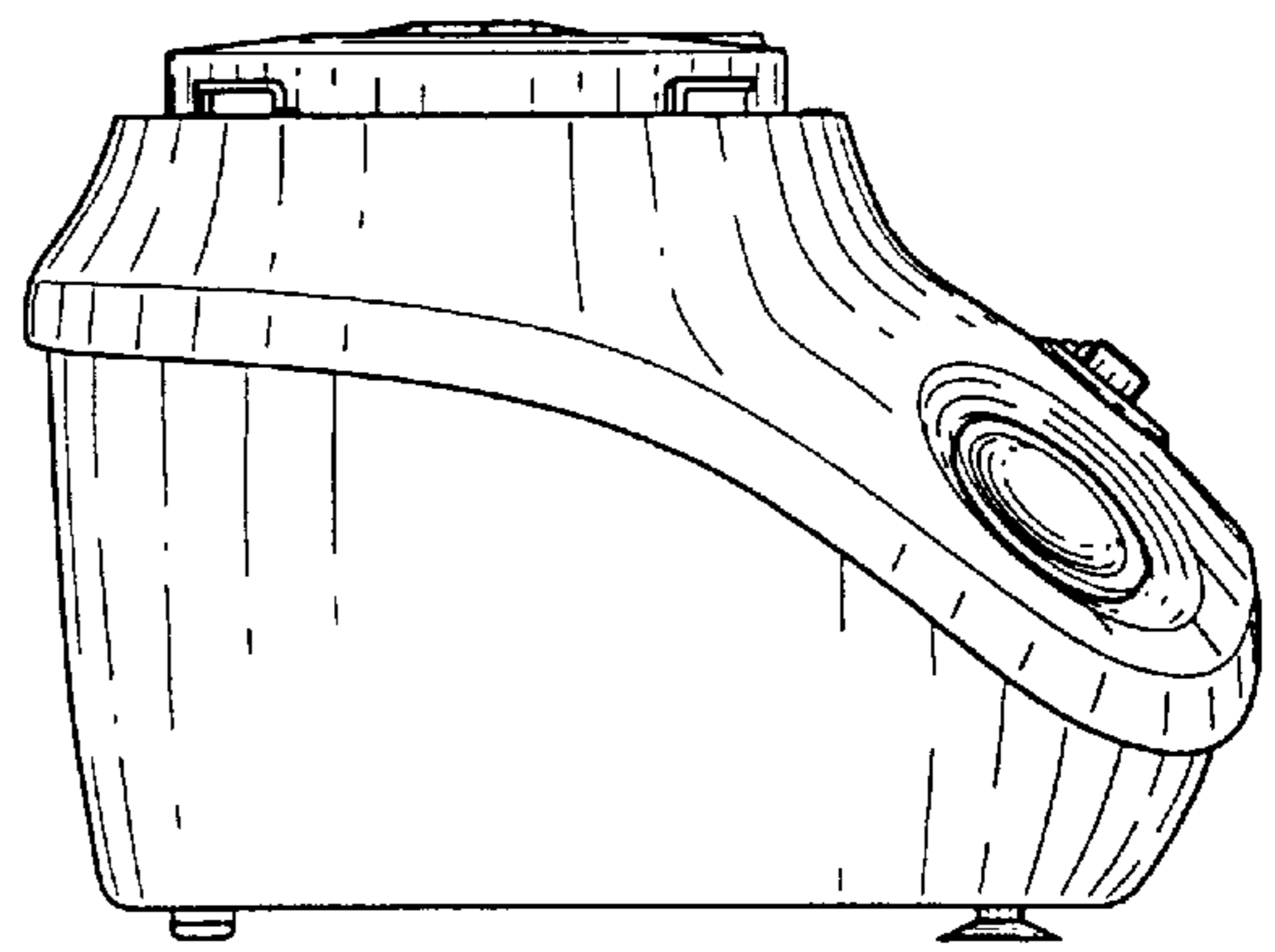


FIG. 5

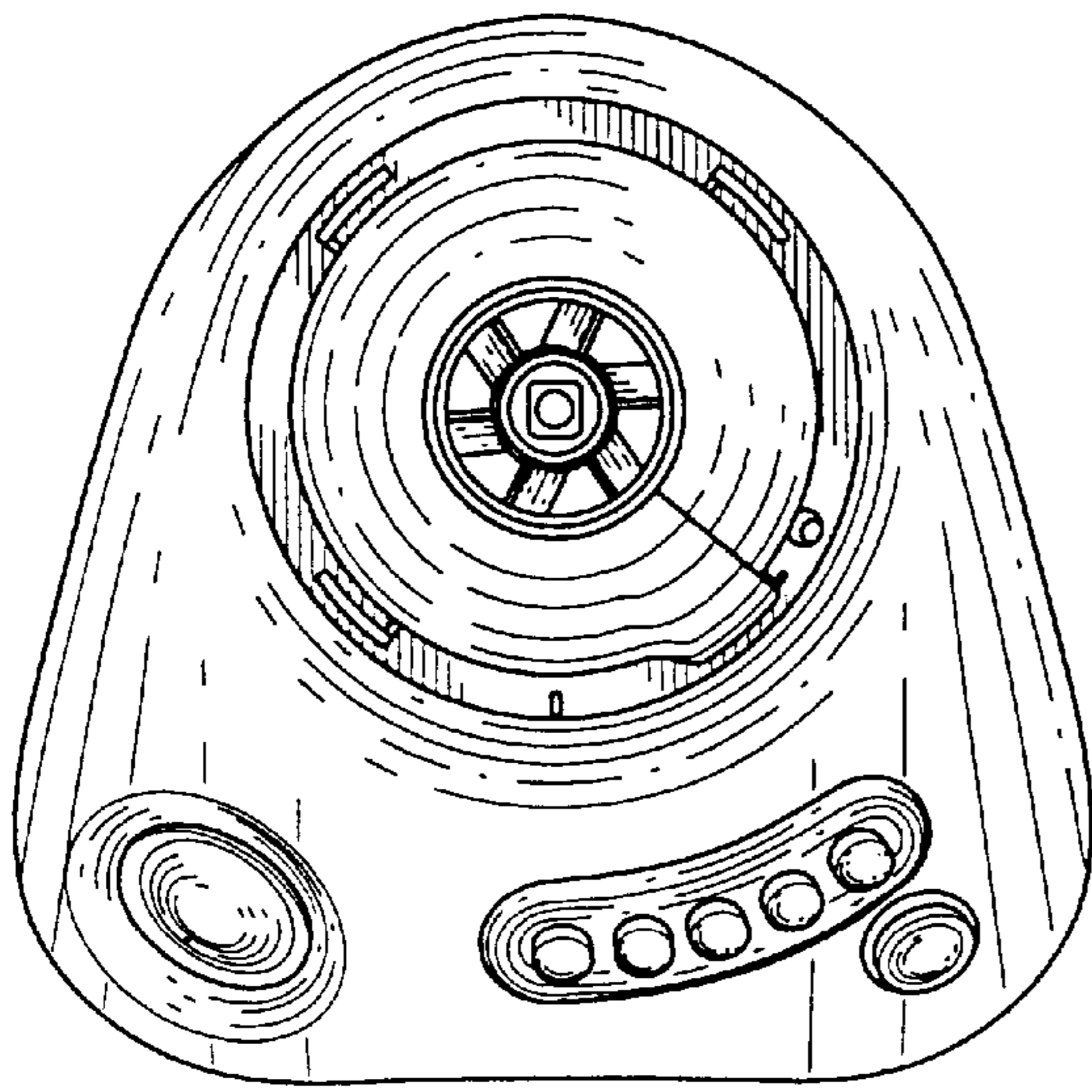


FIG. 6

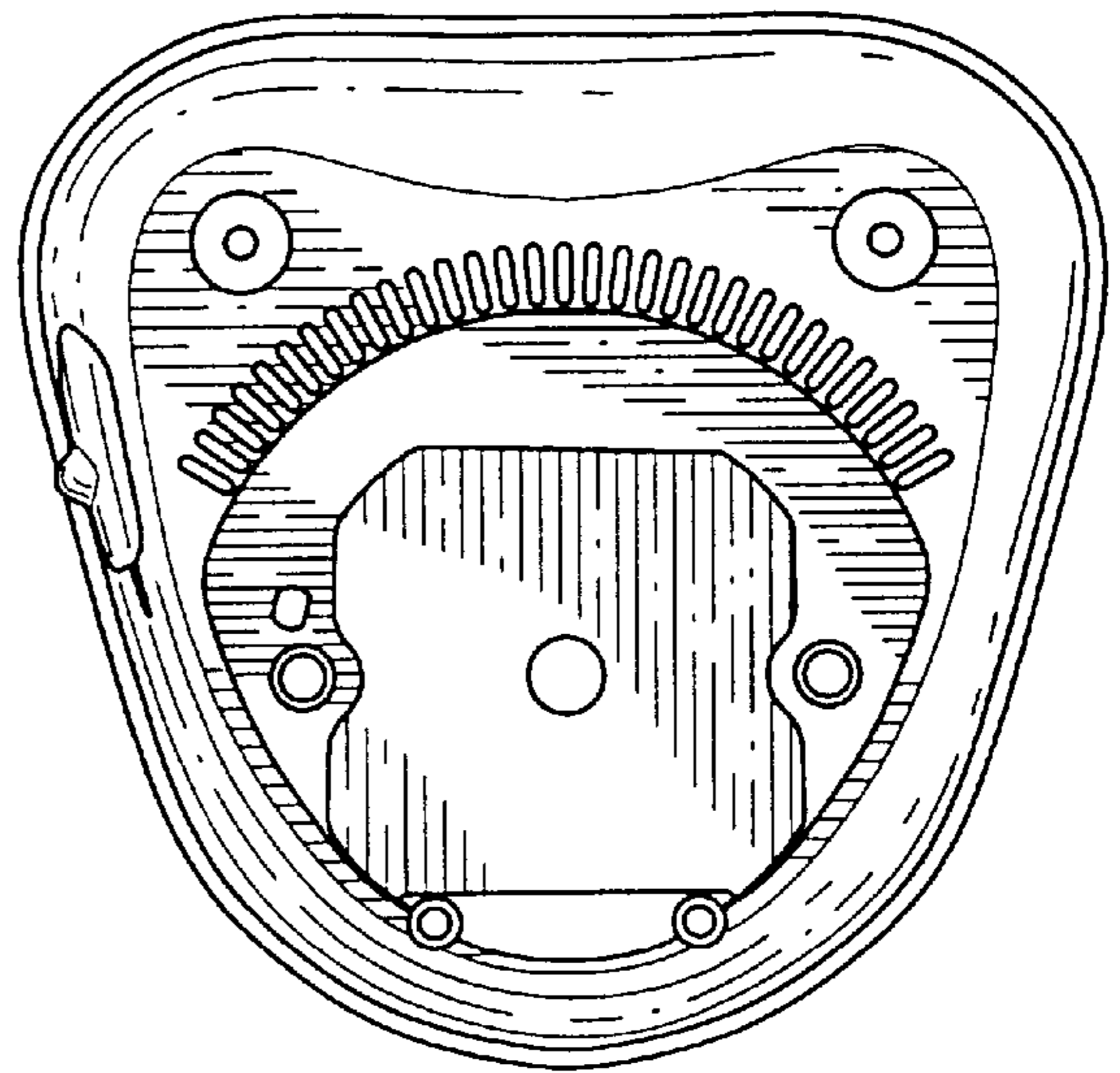


FIG. 7