



US00D437722S

(12) **United States Design Patent**
Ierino et al.

(10) **Patent No.:** **US D437,722 S**

(45) **Date of Patent:** **** Feb. 20, 2001**

(54) **BED WARMER**

2227943 8/1990 (GB) .

(76) Inventors: **Robert Ierino; Frank Ierino**, both of
586-588 Sydney Road, Brunswick,
Victoria 3056 (AU)

* cited by examiner

Primary Examiner—Janice E. Seeger
(74) *Attorney, Agent, or Firm*—Ladas and Parry

(**) Term: **14 Years**

(57) **CLAIM**

(21) Appl. No.: **29/109,705**

The ornamental design for bed warmer, as shown and described.

(22) Filed: **Aug. 20, 1999**

DESCRIPTION

(30) **Foreign Application Priority Data**

Feb. 26, 1999 (AU) 607/99

(51) **LOC (7) Cl.** **06-13**

(52) **U.S. Cl.** **D6/596; D6/602; D6/603**

(58) **Field of Search** D6/595, 596, 601,
D6/602, 603; 5/482, 495-497, 499, 500,
423, 469, 284

FIG. 1 is a top/right-side/head-end perspective view of a bed warmer showing our new design in a first embodiment for a double, queen-sized or king-sized bed.

FIG. 2 is a top/right-side/head-end perspective view of our design in a second embodiment for a single bed.

FIG. 3 is a bottom/left-side/head-end perspective view of the second embodiment for a single bed, the inside portions thereof that are not shown being mirror images of portions that are shown and, therefore, not shown.

FIG. 4 is a bottom/left-side/head-end perspective view of the first embodiment for a double, queen-sized or king-sized bed, the inside portions thereof that are not shown being mirror images of portions that are shown and, therefore, not shown.

FIG. 5 is a right/side elevational view of the first and second embodiments for a single, double, queen-sized or king-sized bed; the left-side elevational view of the first embodiment for a double, queen-sized or king-sized bed being a mirror image and, therefore, not shown.

FIG. 6 is a top plan view of the first embodiment for a double, queen-sized or king-sized bed.

FIG. 7 is a bottom plan view of the first embodiment for a double, queen-sized, or king-sized bed.

FIG. 8 is a foot-end elevational view of the first embodiment for a double, queen-sized or king-sized bed and, on an enlarged scale, of the second embodiment for a single bed.

FIG. 9 is a partial cross-sectional view on the line 9-9 in FIG. 6; and,

FIG. 10 is a left-side elevational view of the second embodiment for a single bed.

The broken lines shown in FIGS. 1, 4, 6, 7 and 9 are intended to represent stitching.

(56) **References Cited**

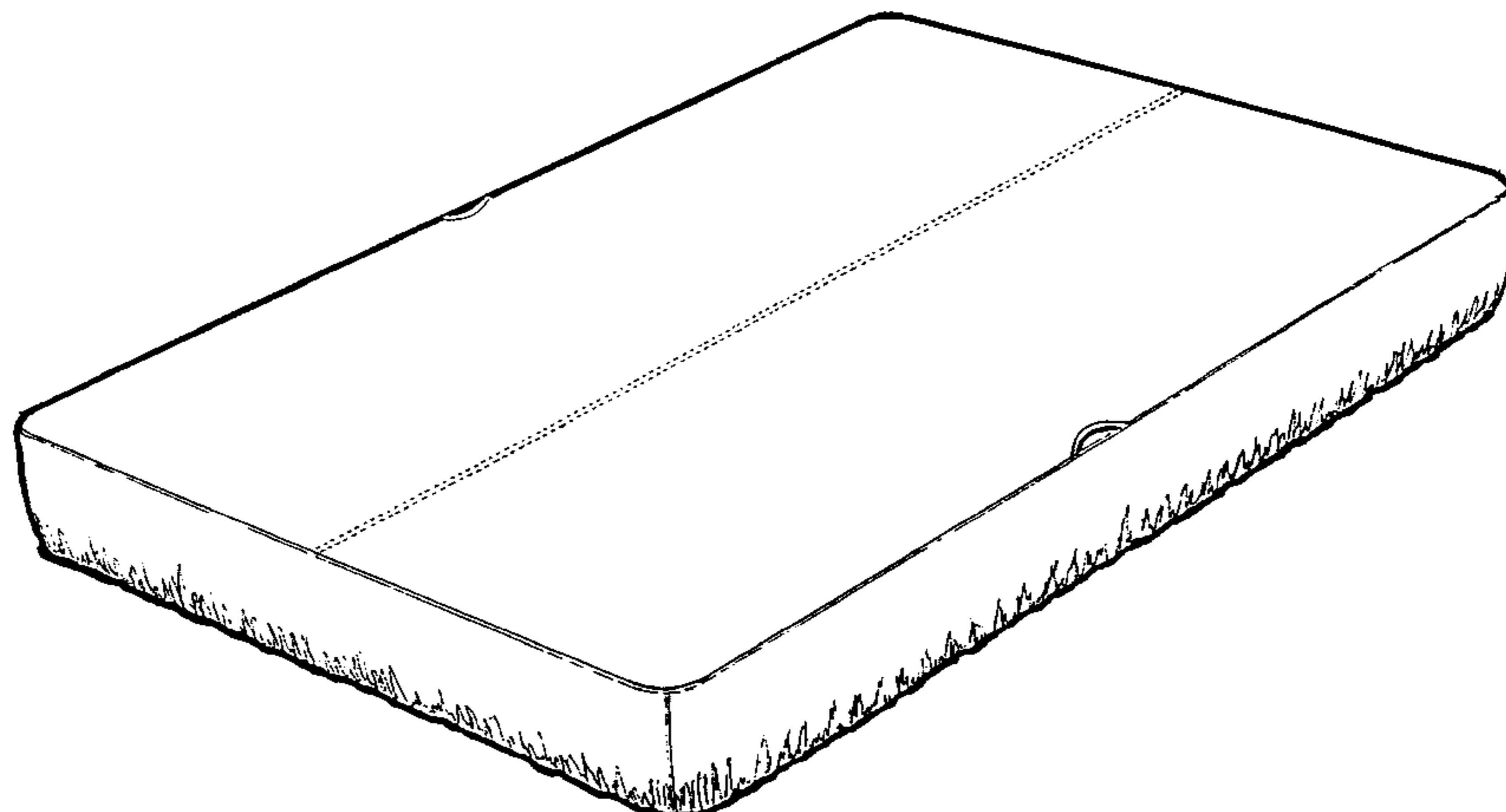
U.S. PATENT DOCUMENTS

1,762,663	6/1930	McLeod .	
1,777,982	10/1930	Popp .	
2,247,667	* 7/1941	Rosberger	5/499
3,181,179	* 5/1965	Roddey, Jr.	5/495
3,290,702	* 12/1966	Seltzer	5/495
3,681,797	8/1972	Messner	5/347
3,778,851	12/1973	Howorth	5/347
4,777,802	10/1988	Fehér	62/3
4,820,903	4/1989	Ishida	219/213
4,867,230	9/1989	Voss	165/46
5,335,381	8/1994	Chang	5/423
5,416,935	5/1995	Nieh	5/423
5,473,783	12/1995	Allen	5/469

FOREIGN PATENT DOCUMENTS

52566	8/1968	(AU) .
59472	5/1998	(AU) .
3704956	10/1987	(DE) .
3739852	7/1988	(DE) .
55485	12/1972	(DK) .
312/72	11/1972	(FI) .
2671003	7/1992	(FR) .

1 Claim, 4 Drawing Sheets



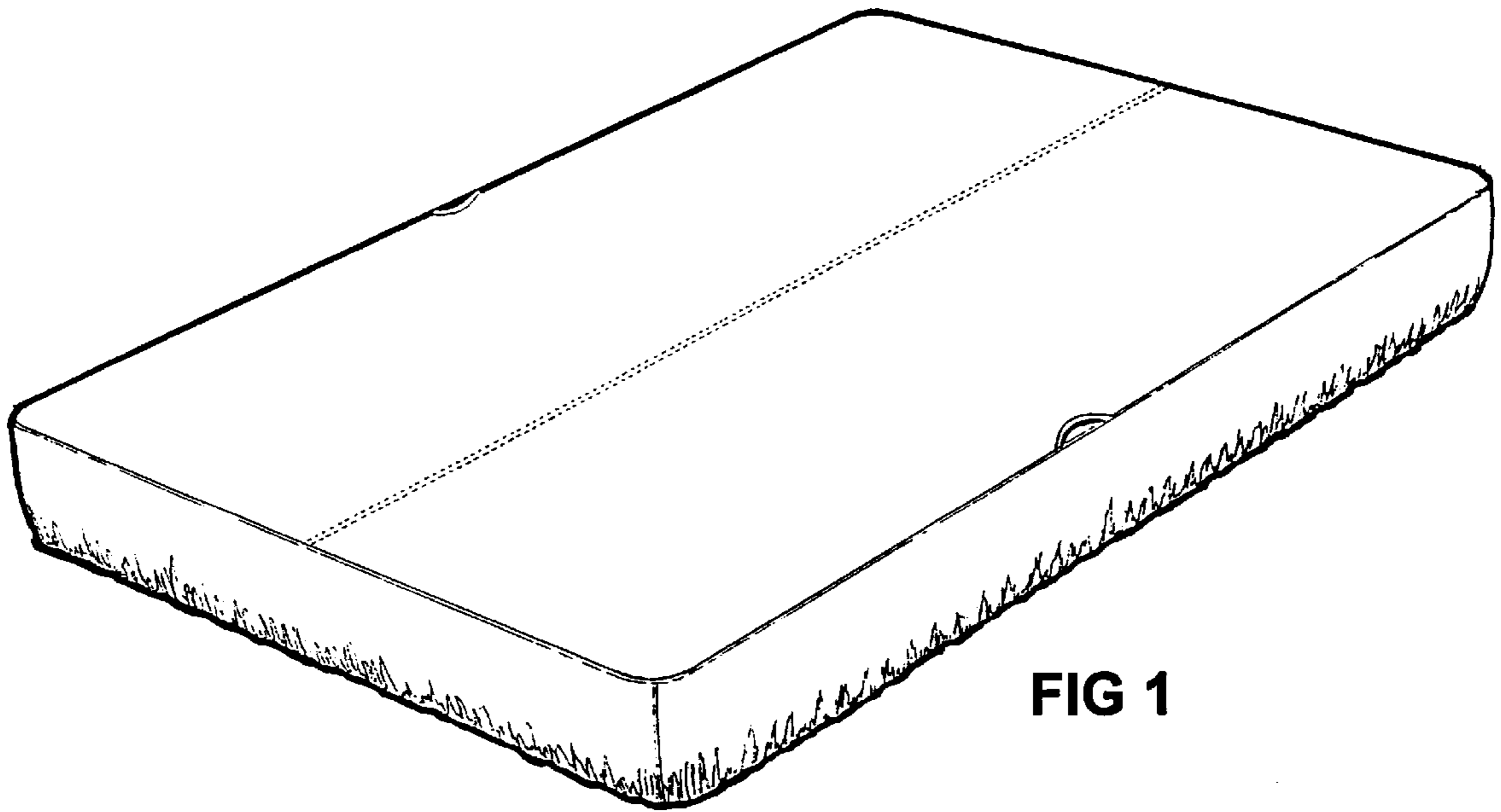


FIG 1

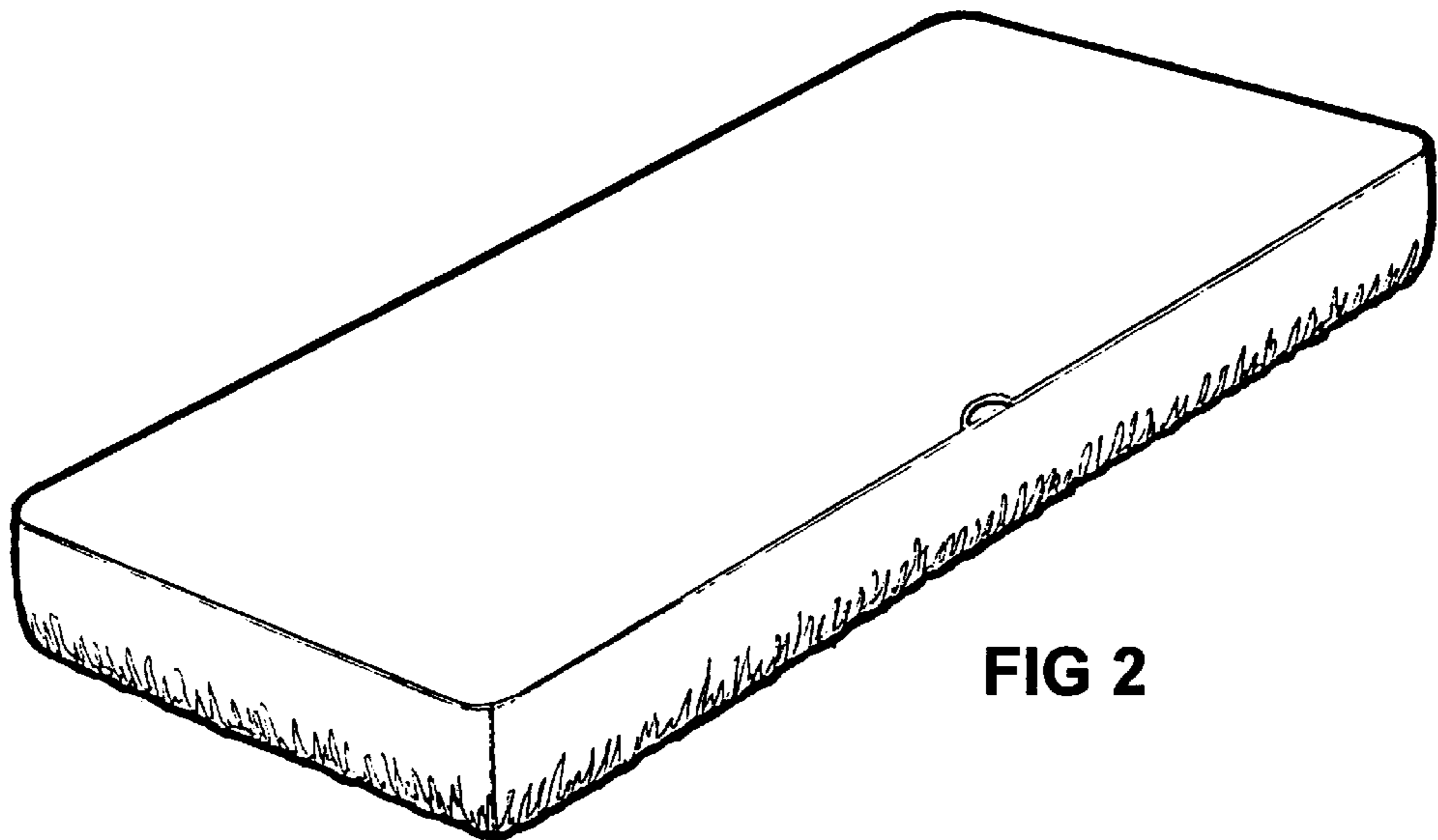


FIG 2

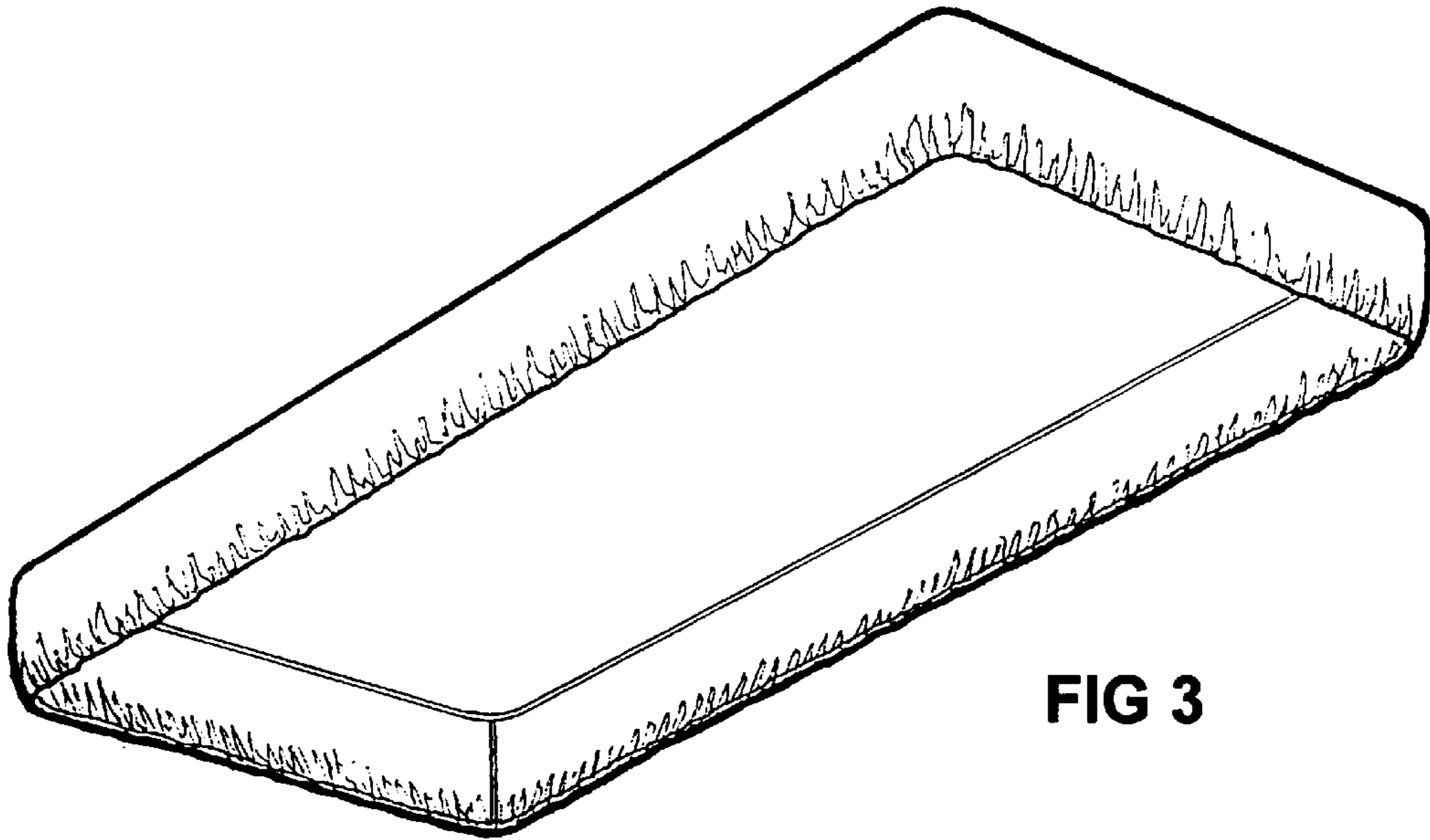


FIG 3

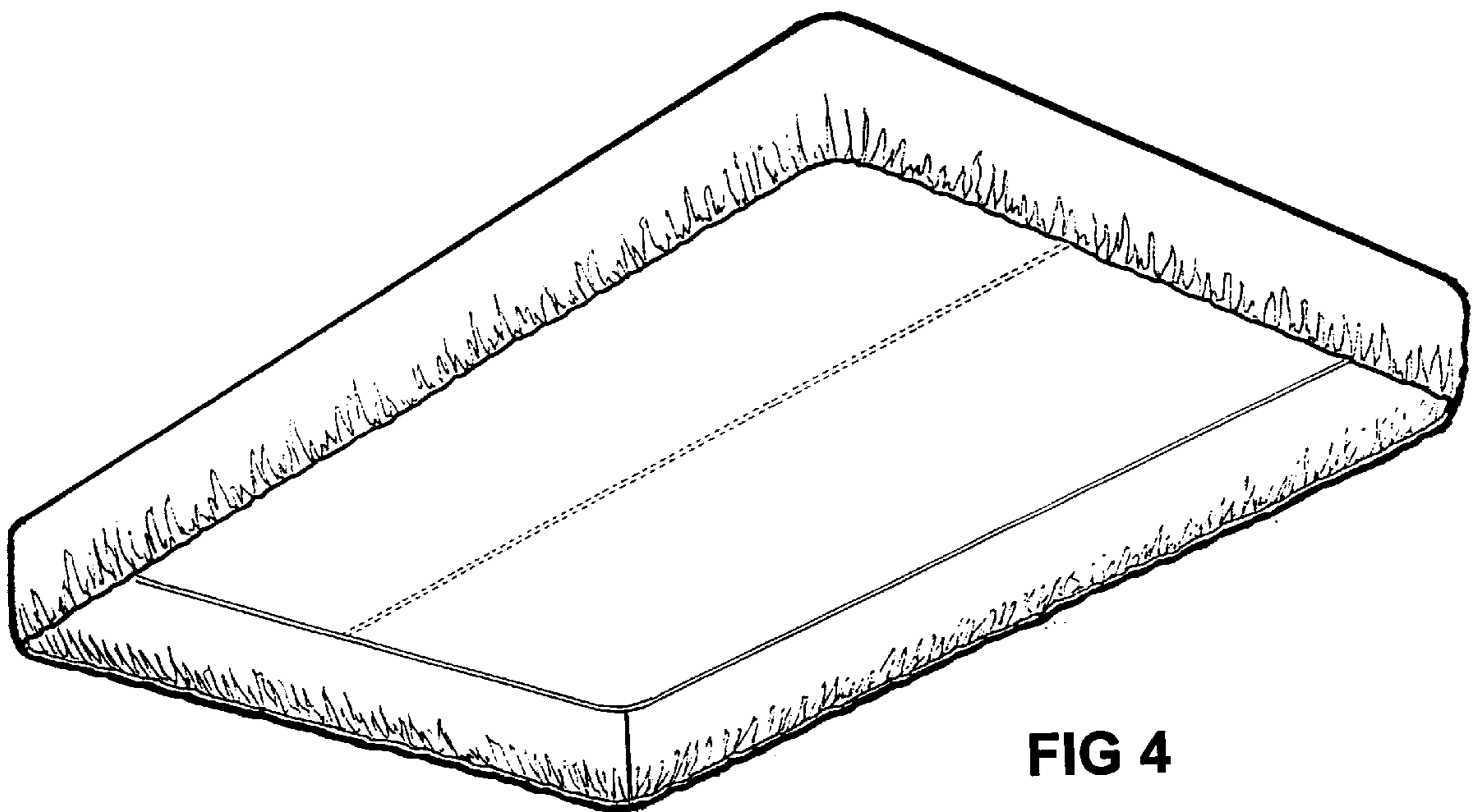


FIG 4



FIG 5

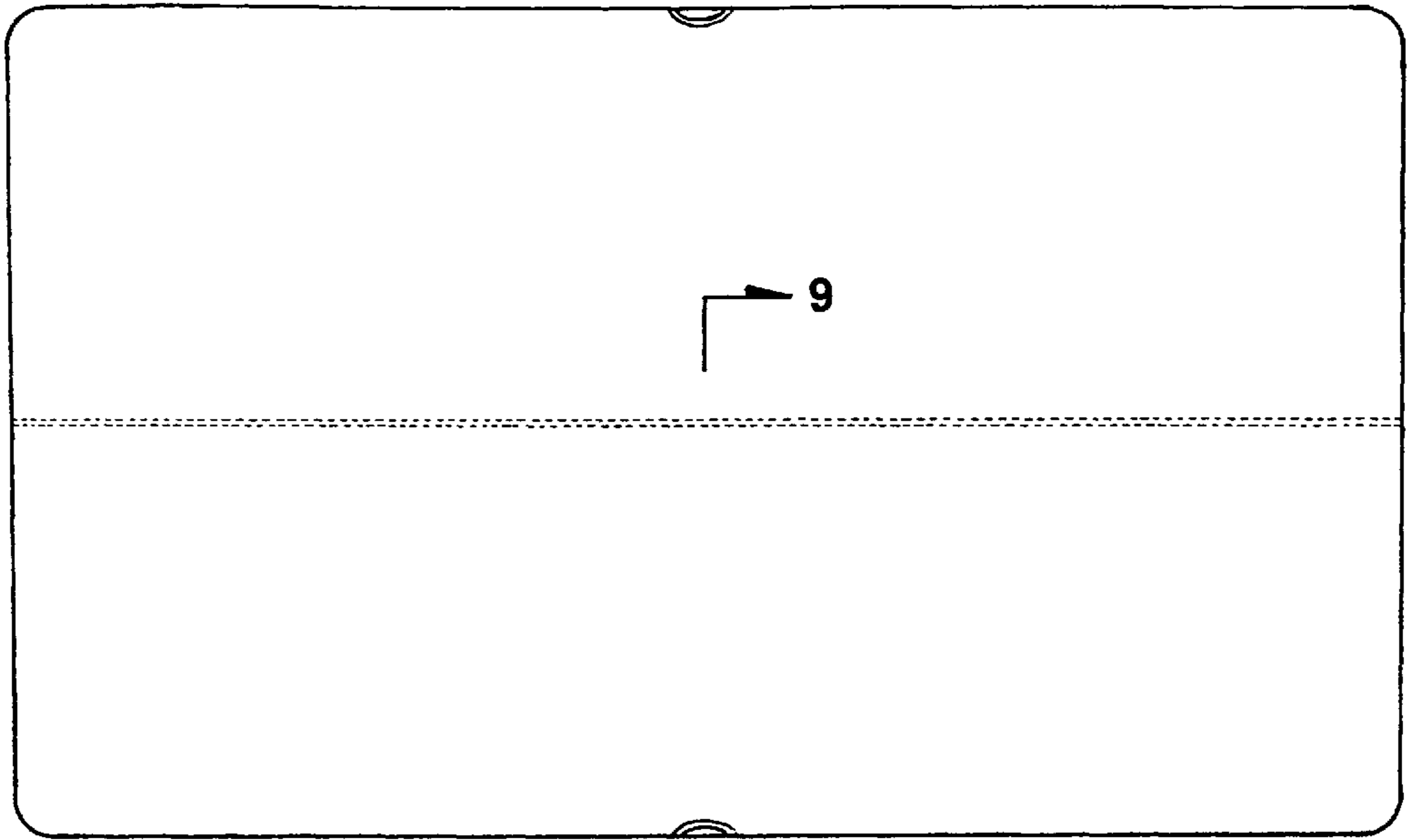


FIG 6

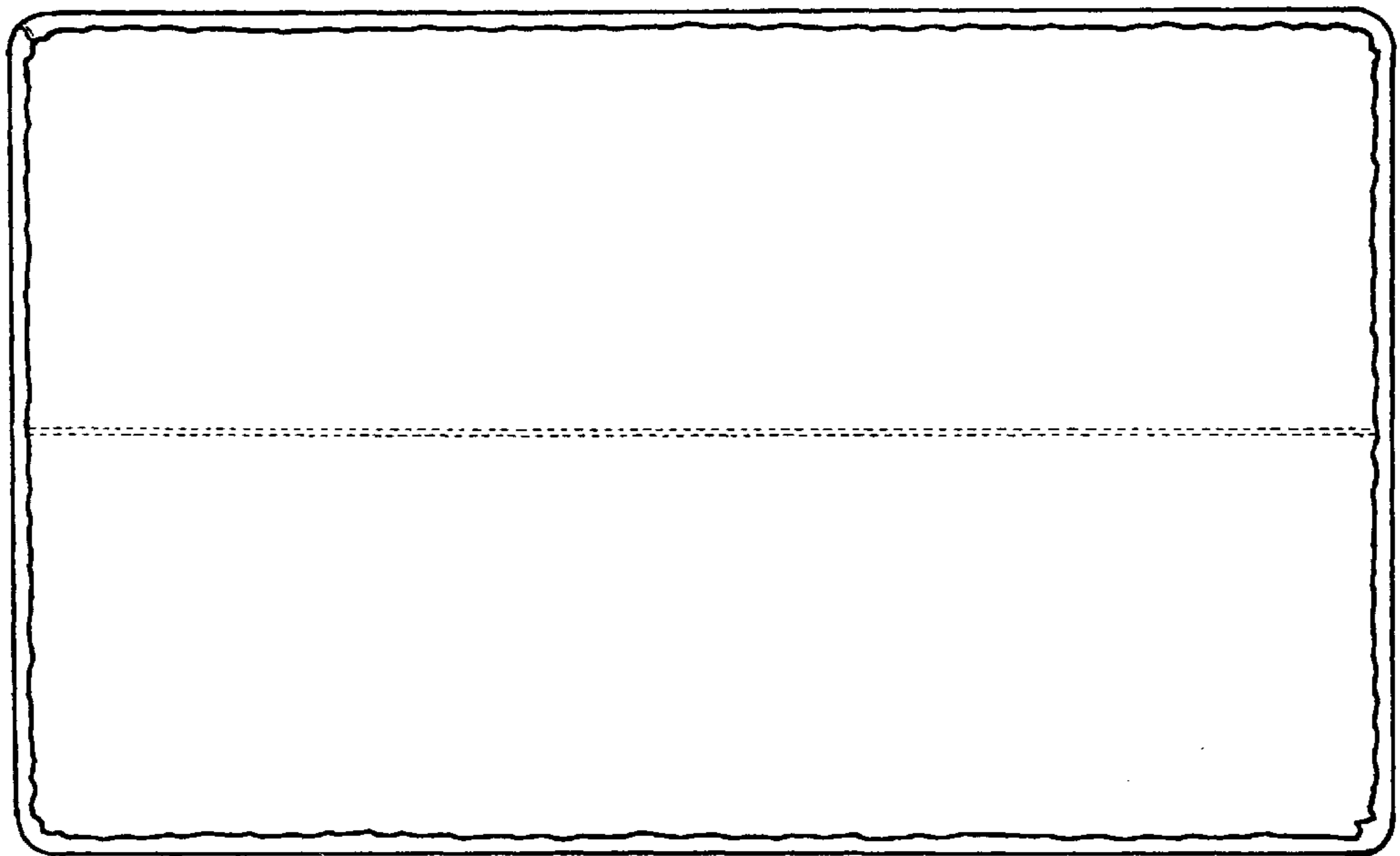


FIG 7



FIG 8

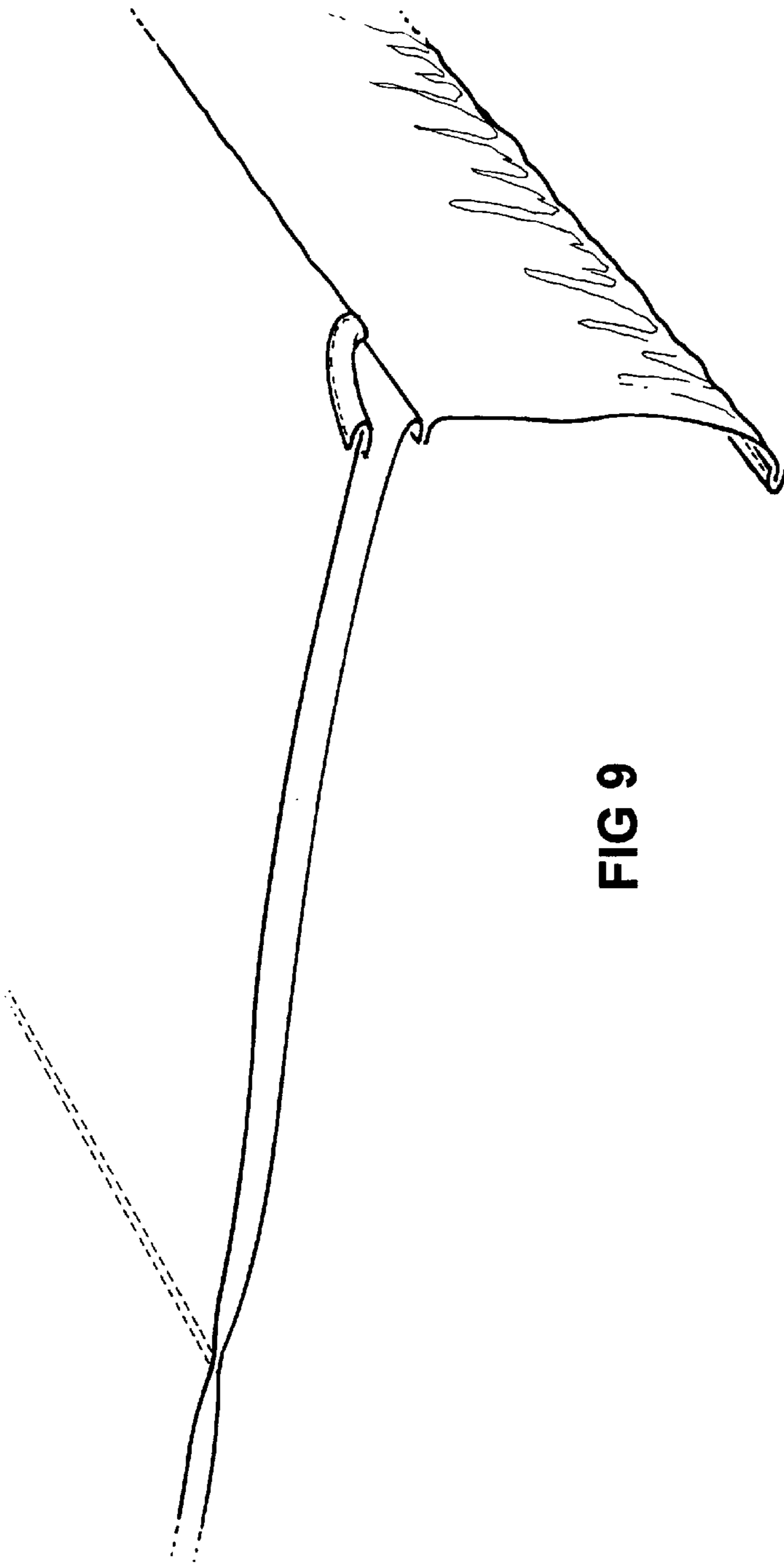


FIG 9

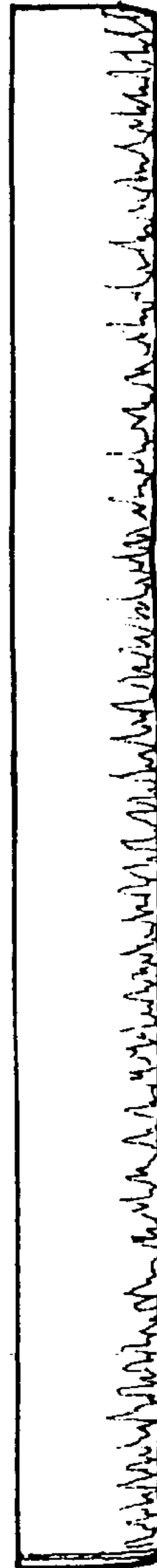


FIG 10