



US00D437717S

(12) **United States Design Patent**
Solowiej

(10) **Patent No.:** **US D437,717 S**

(45) **Date of Patent:** **** Feb. 20, 2001**

(54) **RECEPTACLE HOLDER**

2,576,873 * 11/1951 Zelov 248/309.1 X
4,637,582 * 1/1987 Boda 248/309.1 X

(75) Inventor: **Leszek Solowiej**, Montville, NJ (US)

* cited by examiner

(73) Assignee: **Melard Manufacturing Corp.**, Passaic, NJ (US)

Primary Examiner—Brian N. Vinson

(**) Term: **14 Years**

(74) *Attorney, Agent, or Firm*—Edgar A. Zarins; Lloyd D. Doigan

(21) Appl. No.: **29/117,437**

(57) **CLAIM**

(22) Filed: **Jan. 21, 2000**

The ornamental design for a receptacle holder, as shown and described.

(51) **LOC (7) Cl.** **23-02**

DESCRIPTION

(52) **U.S. Cl.** **D6/535**

(58) **Field of Search** D6/524, 527, 528,
D6/531, 534, 535, 540; 211/13.1, 60.1,
65, 66, 69.5, 71, 74, 75, 86, 87, 89, 181.1;
248/302, 309.1, 310, 311.2, 312, 314

FIG. 1 is a perspective view of a receptacle holder showing my design;

FIG. 2 is a top plan view thereof;

FIG. 3 is a front elevational view thereof;

FIG. 4 is a right side view thereof;

FIG. 5 is a left side view thereof;

FIG. 6 is a bottom plan view thereof; and,

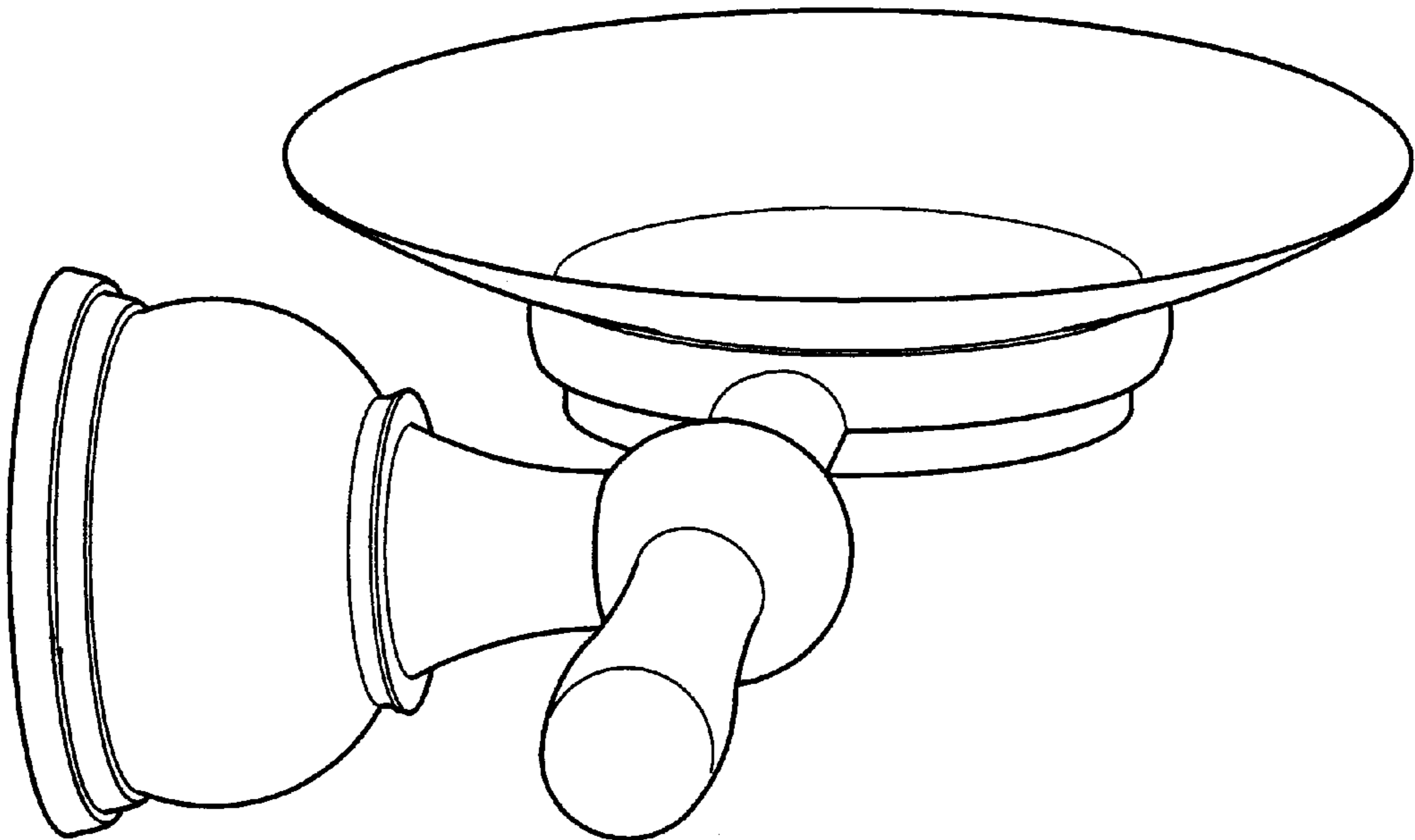
FIG. 7 is a front elevational view thereof, with the broken-line disclosure of a receptacle being for illustrative purposes only and forming no part of the claimed design.

(56) **References Cited**

U.S. PATENT DOCUMENTS

D. 320,132 * 9/1991 Huxtable D6/531
D. 356,708 * 3/1995 Shames et al. D6/540
D. 386,343 * 11/1997 Moore D6/540
D. 417,575 * 12/1999 Ming-Hsiao D6/540

1 Claim, 3 Drawing Sheets



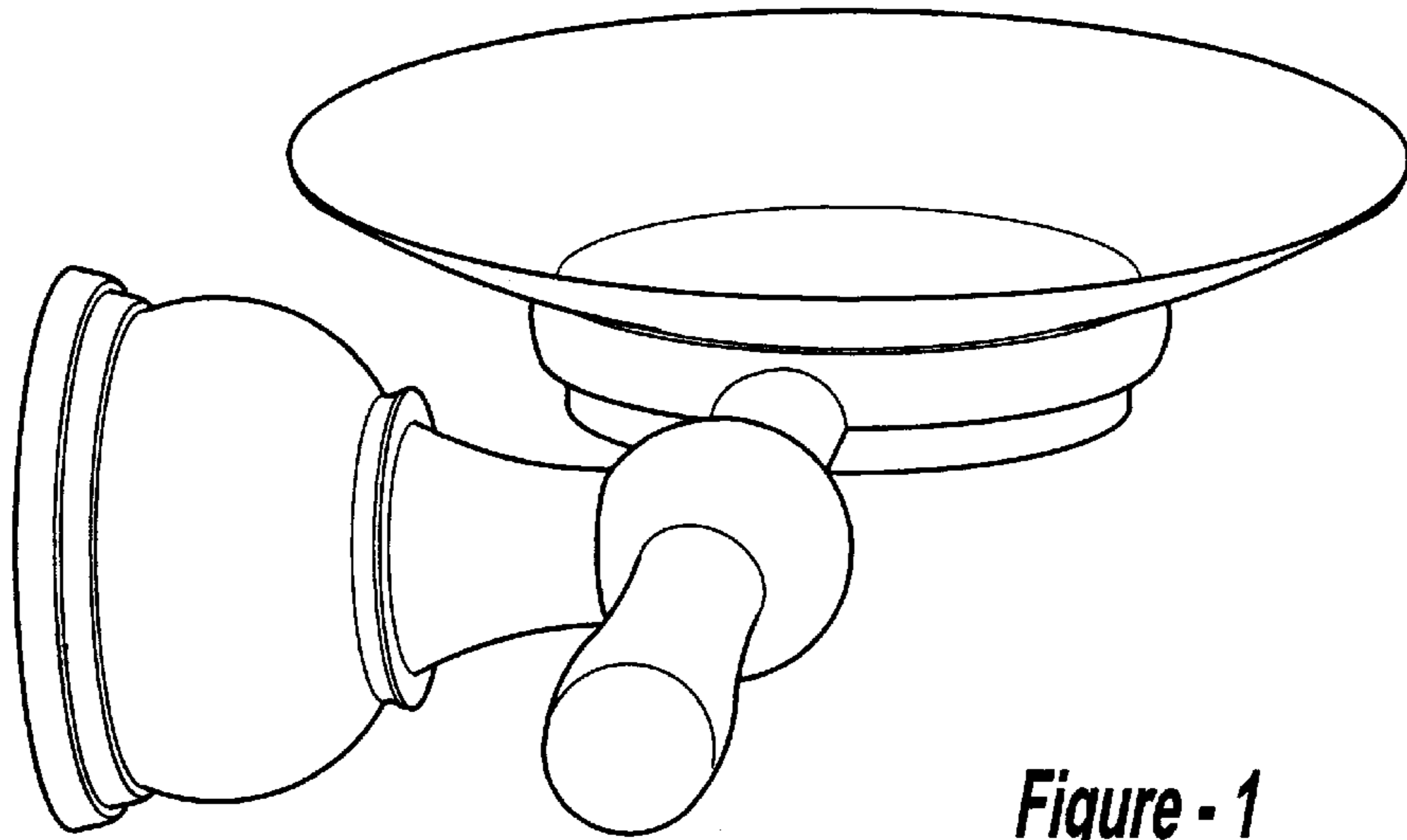


Figure - 1

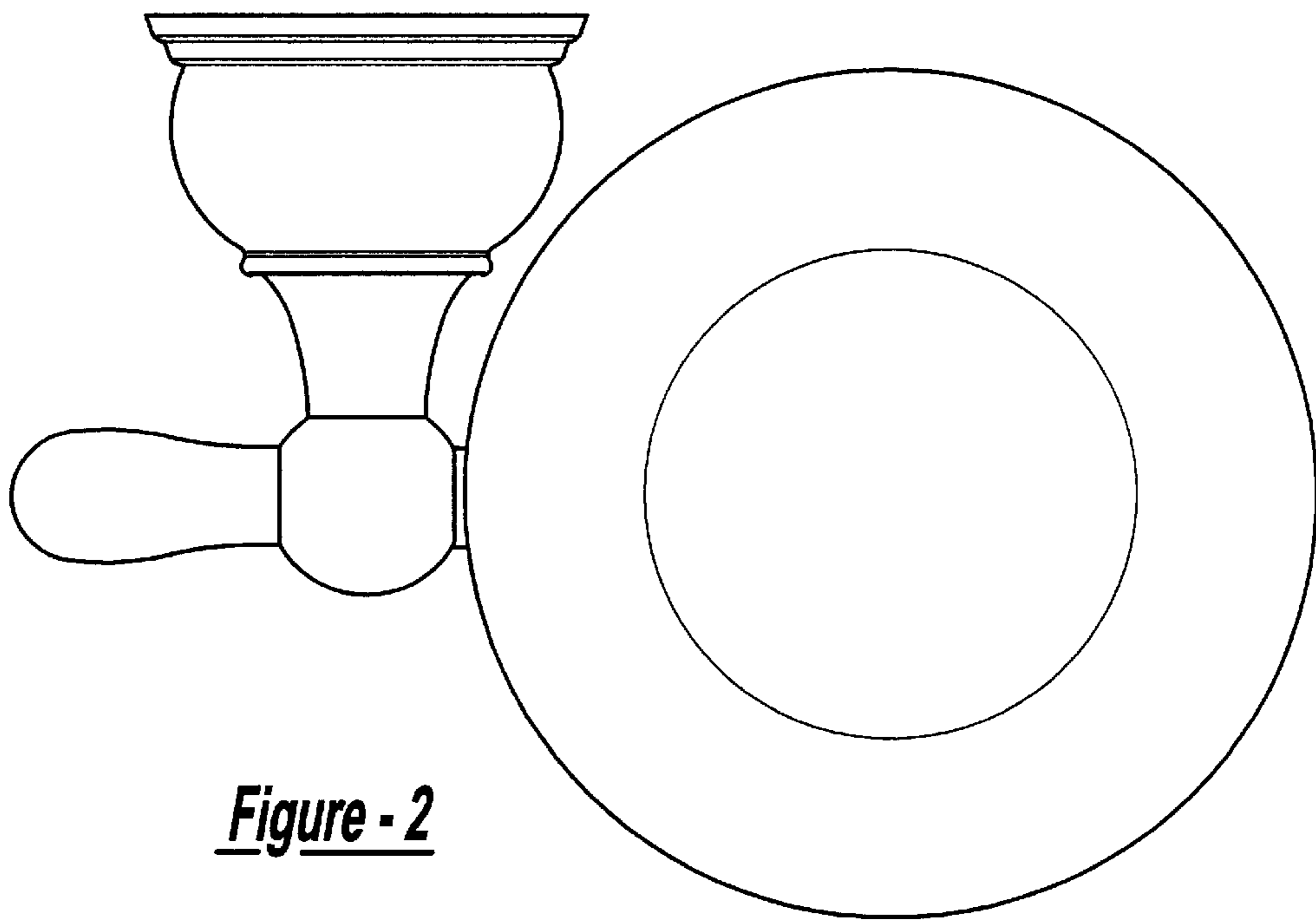
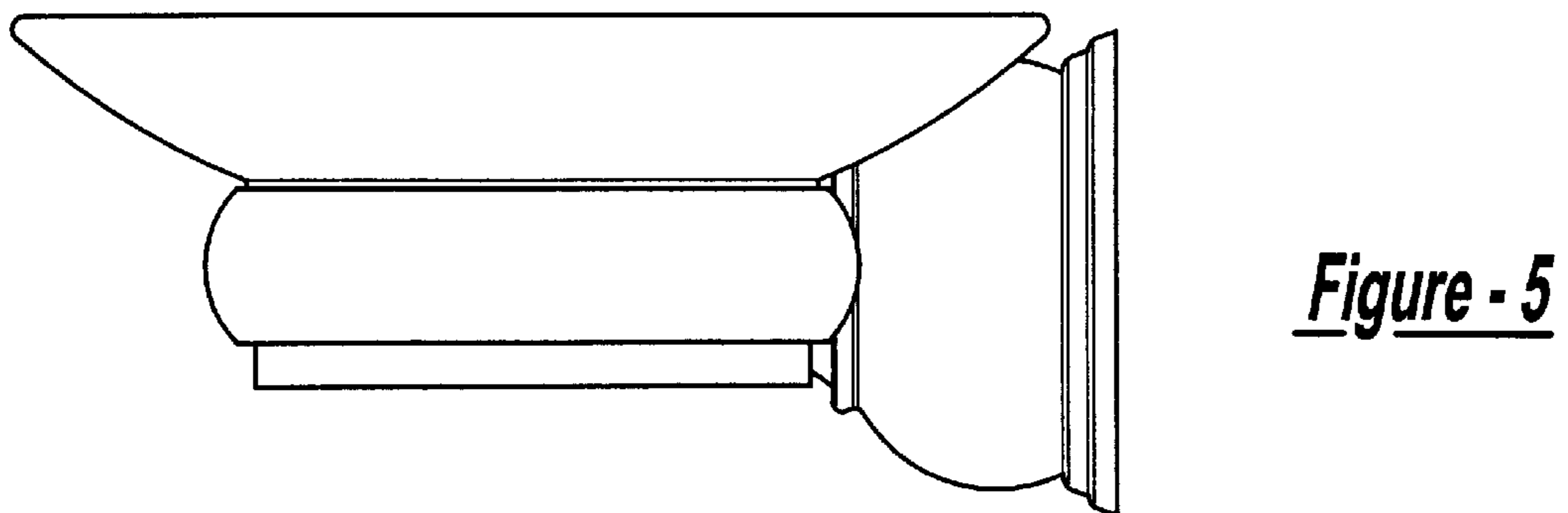
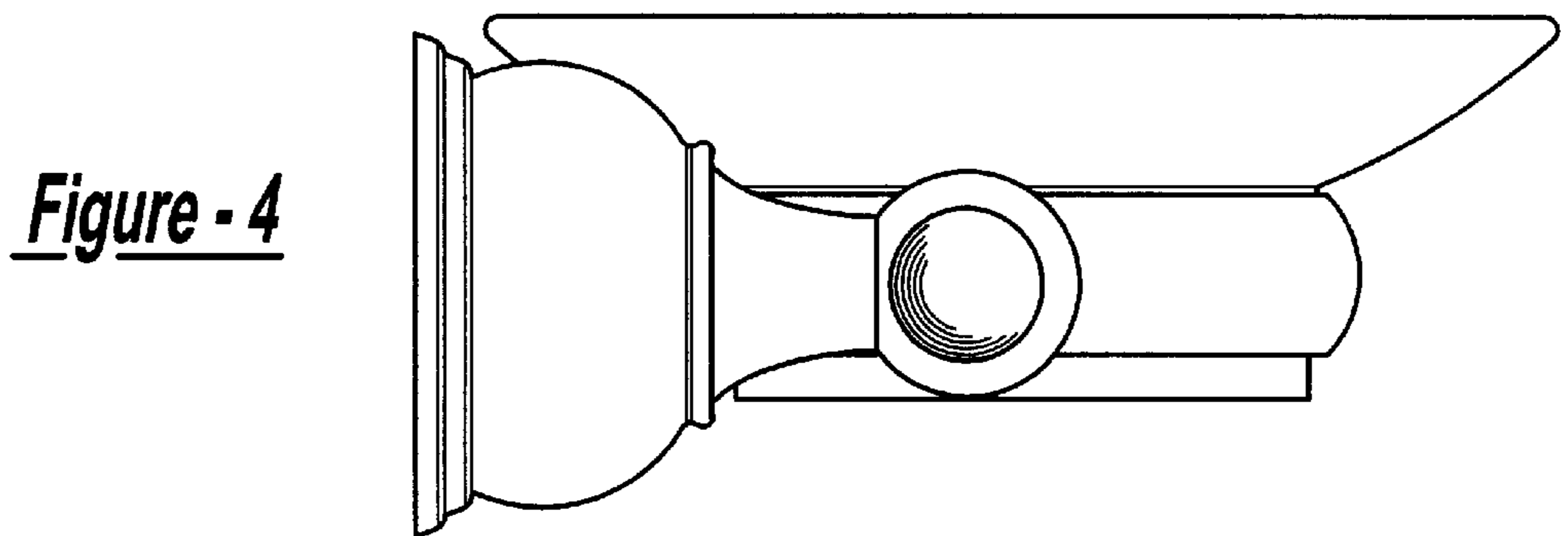
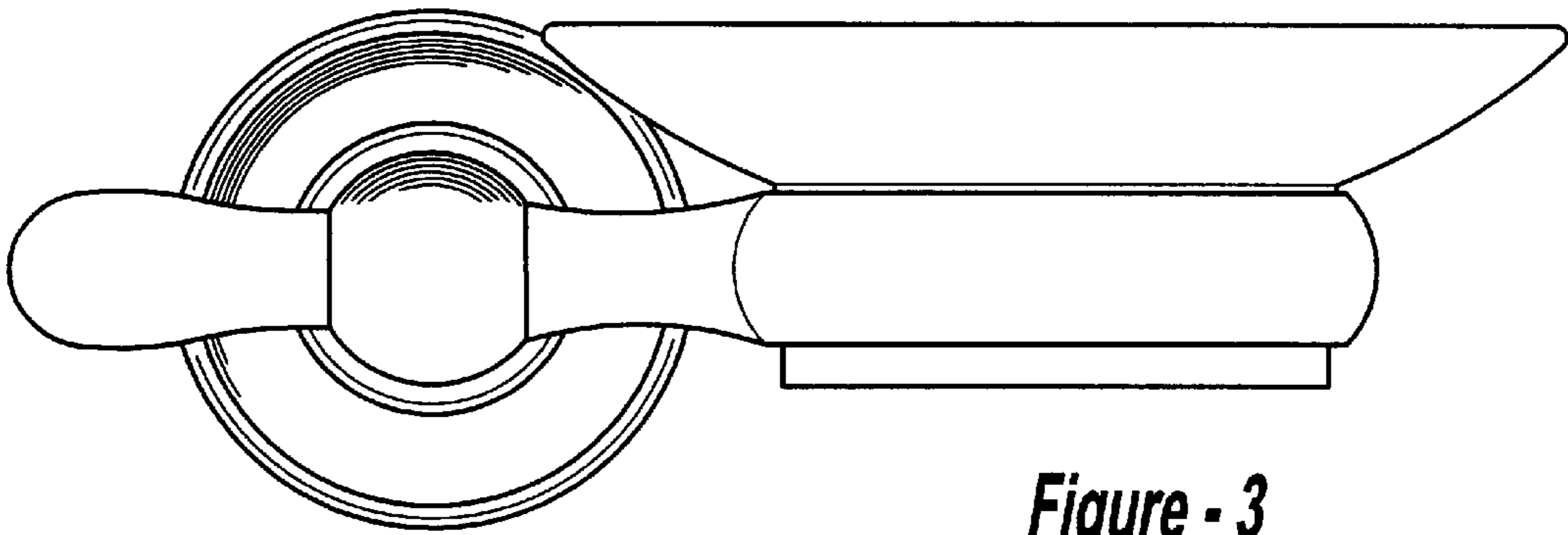


Figure - 2



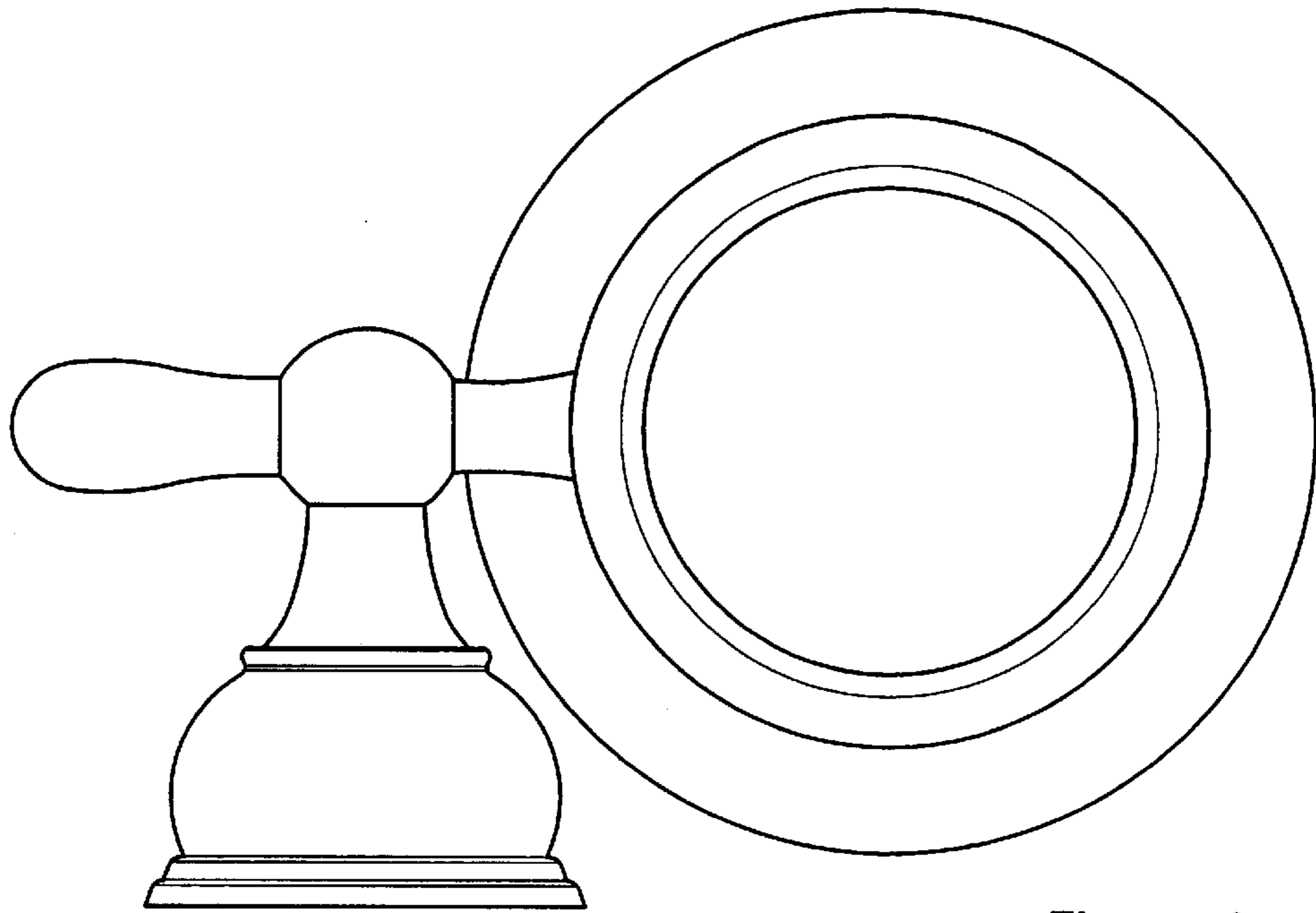


Figure - 6

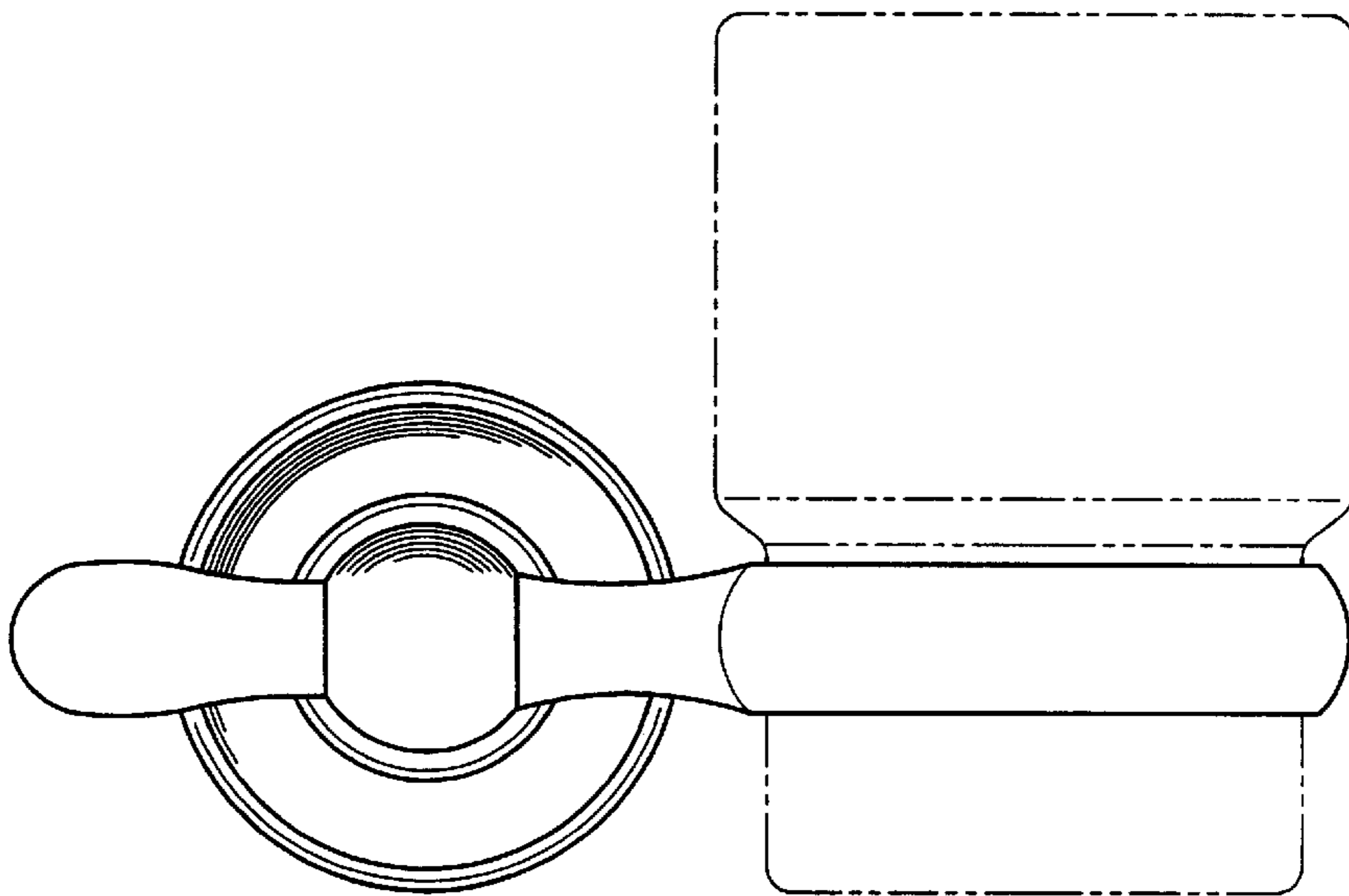


Figure - 7