



US00D437716S

(12) **United States Design Patent**  
**Chau et al.**

(10) **Patent No.:** **US D437,716 S**

(45) **Date of Patent:** **\*\* Feb. 20, 2001**

(54) **FURNITURE COMPONENT**

(75) Inventors: **Theodore Q. Chau**, Grand Rapids, MI (US); **Brian J. Kane**, San Francisco, CA (US); **Kevin J. Longhurst**, Hastings, MI (US)

(73) Assignee: **Steelcase Development Inc.**, Grand Rapids, MI (US)

(\*\*) Term: **14 Years**

(21) Appl. No.: **29/103,075**

(22) Filed: **Apr. 8, 1999**

**Related U.S. Application Data**

(62) Division of application No. 29/086,578, filed on Apr. 15, 1998, now Pat. No. Des. 417,015.

(51) **LOC (7) Cl.** ..... **06-04**

(52) **U.S. Cl.** ..... **D6/509; D6/422**

(58) **Field of Search** ..... D6/510, 491, 421, D6/422, 425, 426, 427, 428, 438, 509, 511; 312/194, 198, 245-246, 247, 249.1, 249.7, 140.1, 19-23

(56) **References Cited**

**U.S. PATENT DOCUMENTS**

D. 250,867 \* 1/1979 Elliott ..... D6/510

D. 292,051 \* 9/1987 Martin ..... D6/421  
D. 325,309 \* 4/1992 Worrell ..... D6/509  
D. 327,794 \* 7/1992 Zapf ..... D6/422 X  
D. 376,705 \* 12/1996 Stoddard et al. .... D6/426  
3,920,299 \* 11/1975 Propst et al. .... 312/245 X  
4,799,436 \* 1/1989 Goodman ..... 312/247 X  
5,899,035 \* 5/1999 Waalkes et al. .... 52/239

**OTHER PUBLICATIONS**

“Reception Screen for Return”, p. 44, High Point Furniture catalog, Apr. 2000.\*

\* cited by examiner

*Primary Examiner*—Louis S. Zarfes

*Assistant Examiner*—Robert A. Delehanty

(74) *Attorney, Agent, or Firm*—Price, Heneveld, Cooper, DeWitt & Litton

(57) **CLAIM**

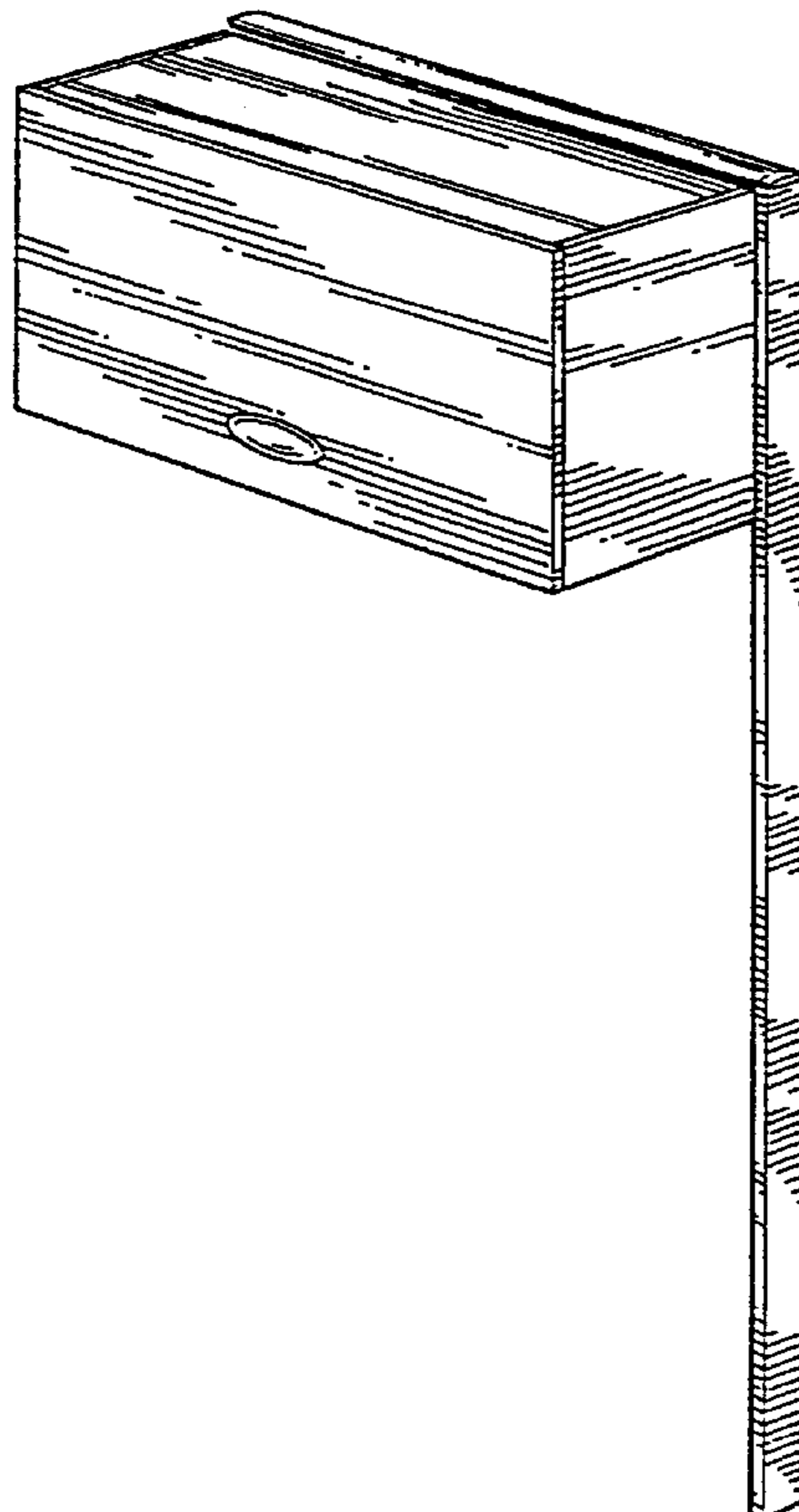
We claim the ornamental design for a furniture component, as shown and described.

**DESCRIPTION**

FIG. 1 is a perspective view of a furniture component, showing our new design; and, FIG. 2 is a front elevational view.

The surface(s) or portion(s) of the article not shown in the drawing or described in the specification form(s) no part of the claimed design.

**1 Claim, 1 Drawing Sheet**



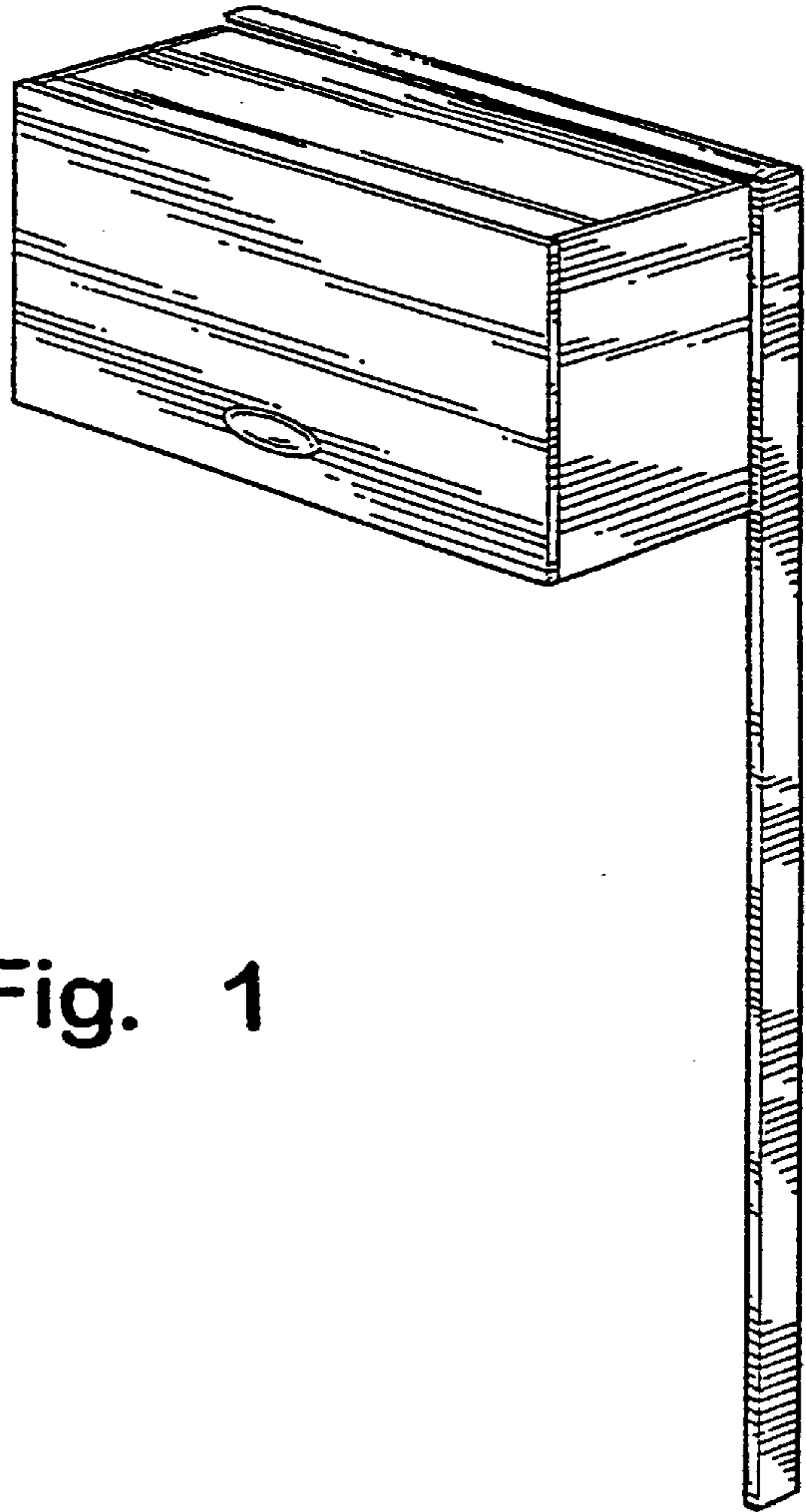


Fig. 1

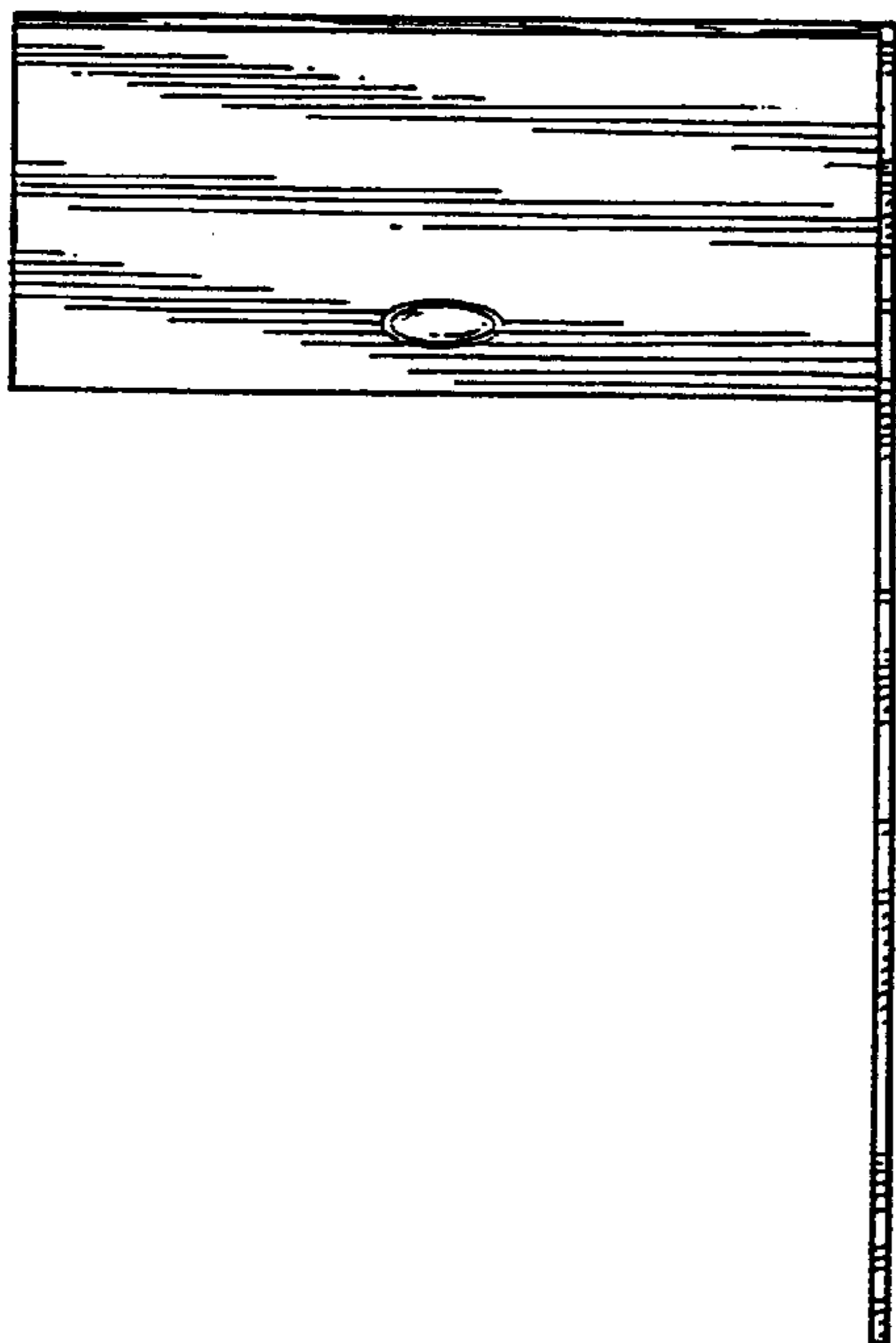


Fig. 2