



US00D437715S

(12) **United States Design Patent**
Meeker et al.

(10) **Patent No.:** **US D437,715 S**

(45) **Date of Patent:** **** Feb. 20, 2001**

(54) **OVERHEAD SHIELD FOR A CAR SEAT**

(75) Inventors: **Paul K. Meeker**, Hiram; **William R. Gibson**, Canton, both of OH (US)

(73) Assignee: **Evenflo Company, Inc.**, Vandalia, OH (US)

(**) Term: **14 Years**

(21) Appl. No.: **29/095,297**

(22) Filed: **Oct. 20, 1998**

(51) **LOC (7) Cl.** **06-06**

(52) **U.S. Cl.** **D6/500**

(58) **Field of Search** D6/333, 334, 335,
D6/356, 390, 391, 491, 500-502; 297/250.1,
256.13, 256.15, 256.16, 467, 488

(56) **References Cited**

U.S. PATENT DOCUMENTS

D. 277,811	3/1985	Moore	D3/31
D. 311,823 *	11/1990	Meeker	D6/333
D. 331,153 *	11/1992	Williams	D6/333
D. 339,477 *	9/1993	Kain	D6/333
D. 357,800	5/1995	Roan et al.	D3/214
D. 365,925	1/1996	Roan	D3/214
D. 385,105	10/1997	Fair	D3/214
3,248,125	4/1966	Gill	280/47.4
3,989,173	11/1976	Gebhard	224/6
4,234,229	11/1980	Arnold	297/467
4,343,510 *	8/1982	Cone	297/256.13
4,492,326	1/1985	Storm	224/160
4,736,959	4/1988	Van Steenburg	280/30
4,754,999 *	7/1988	Kaine	297/256.16
4,858,947	8/1989	Yee et al.	280/643
5,240,265	8/1993	Huang	280/47.4
5,246,152	9/1993	Dotseth	224/159
5,522,528	6/1996	Petricola	224/160
5,609,279	3/1997	O'Shea	224/160
5,624,156 *	4/1997	Leal et al.	297/250.1

5,632,425	5/1997	Hull	224/160
5,669,625	9/1997	Cabagnero	280/647
5,678,739	10/1997	Darling et al.	224/160
5,687,985	11/1997	Sack	280/650
5,690,258	11/1997	Kataoka	224/160
5,692,655	12/1997	Fair et al.	224/160

OTHER PUBLICATIONS

E, D, p. Q4, Best catalog, 1995/96.*

* cited by examiner

Primary Examiner—Doris V. Coles

Assistant Examiner—Mimosa De

(74) *Attorney, Agent, or Firm*—Thompson Hine & Flory LLP

(57) **CLAIM**

The ornamental design of the overhead shield for a car seat, as shown and described.

DESCRIPTION

FIG. 1 is a perspective view of the overhead shield for a car seat showing our new design, the broken line showing of the seat is for illustrative purposes only and forms no part of the claimed design.

FIG. 2 is an enlarged view of the claimed design;

FIG. 3 is a bottom perspective view thereof;

FIG. 4 is a greater enlarged top plan view;

FIG. 5 is a bottom plan view thereof;

FIG. 6 is a front elevational view thereof;

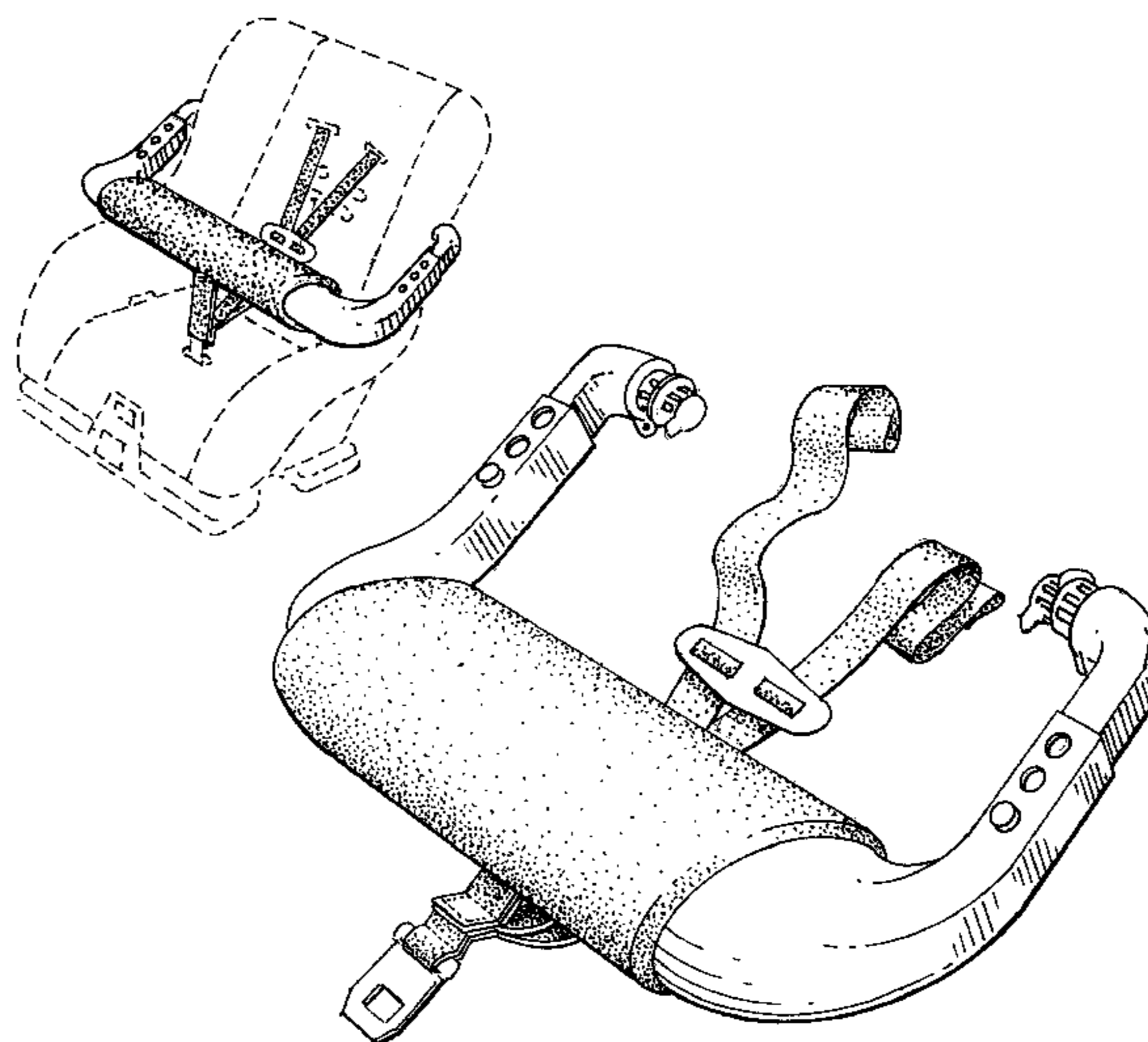
FIG. 7 is a rear elevational view thereof;

FIG. 8 is a left side elevational view thereof;

FIG. 9 is a cross sectional view of the overhead shield for a car seat similar to FIG. 8; and,

FIG. 10 is a cross sectional view taken along the central portion of the overhead shield for a car seat of FIGS. 8 and 9.

1 Claim, 6 Drawing Sheets



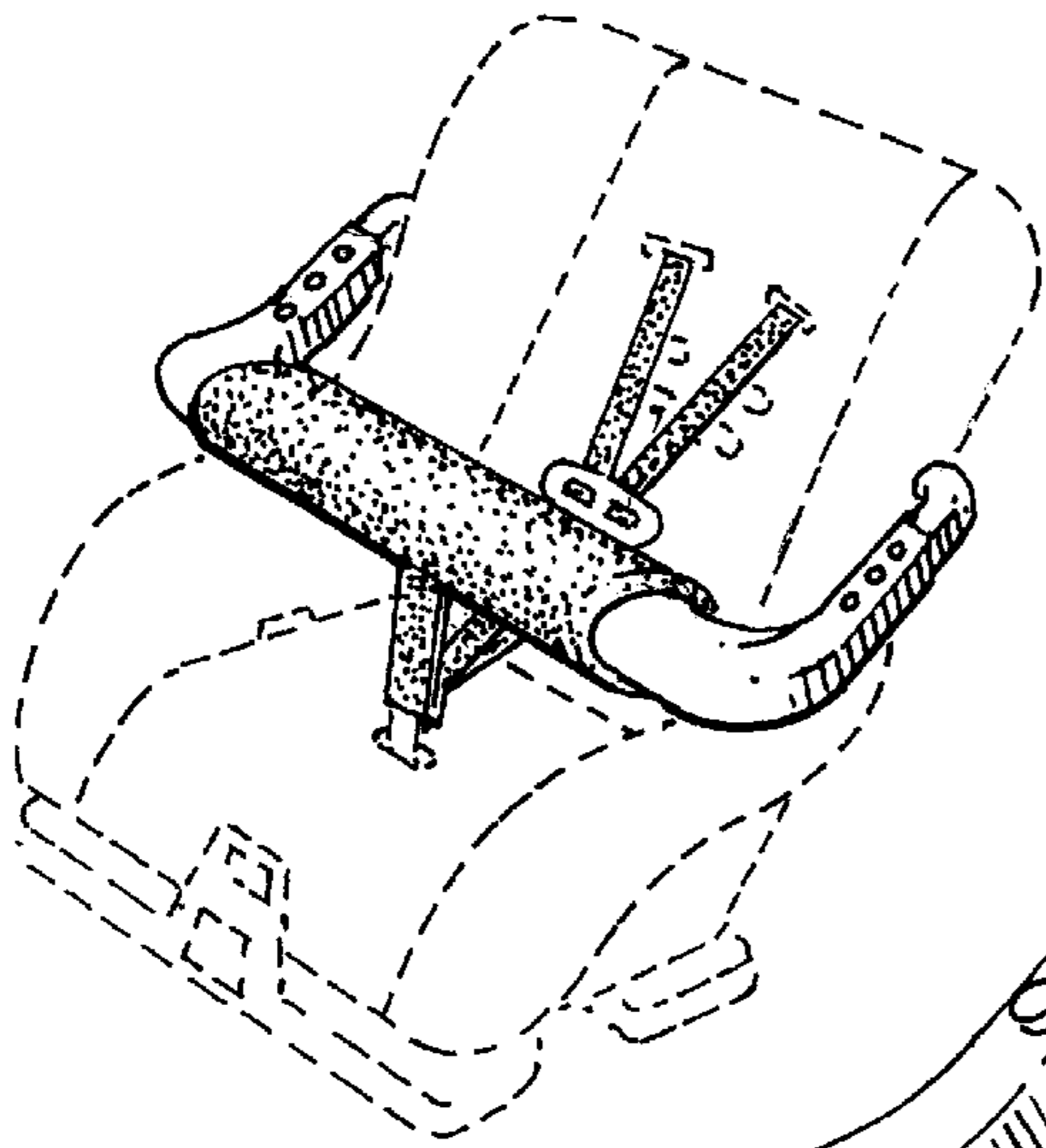


FIG. 1

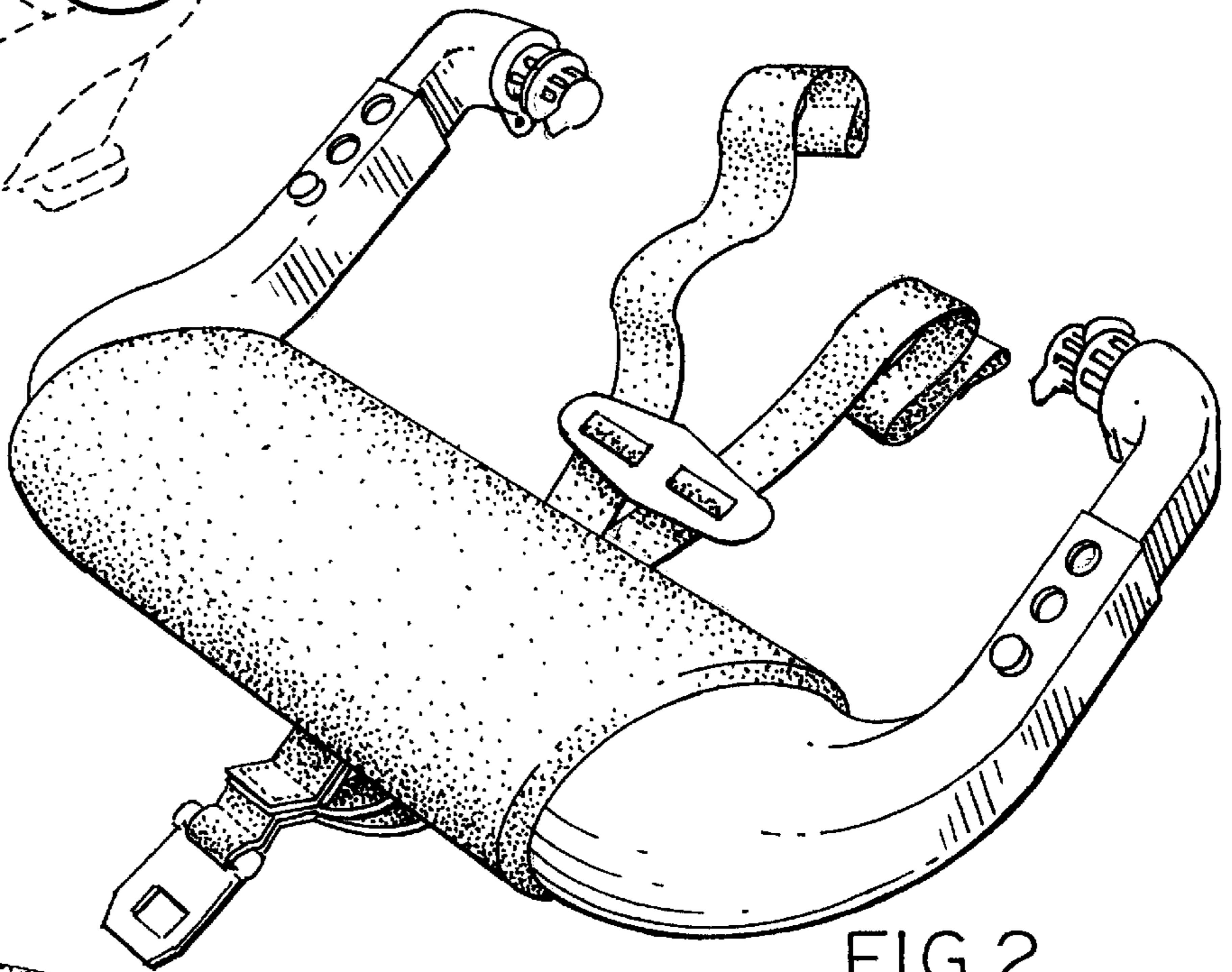


FIG. 2

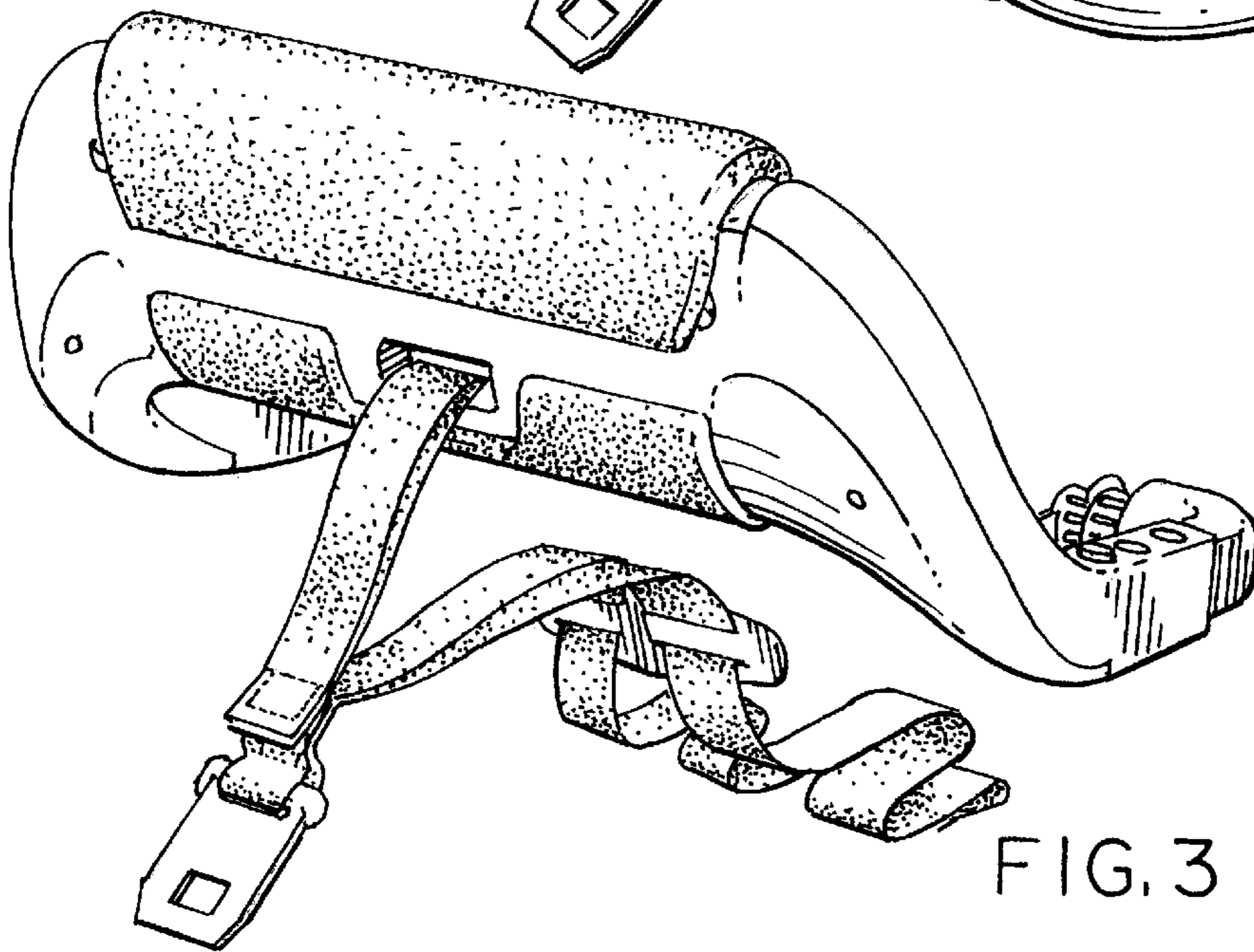


FIG. 3

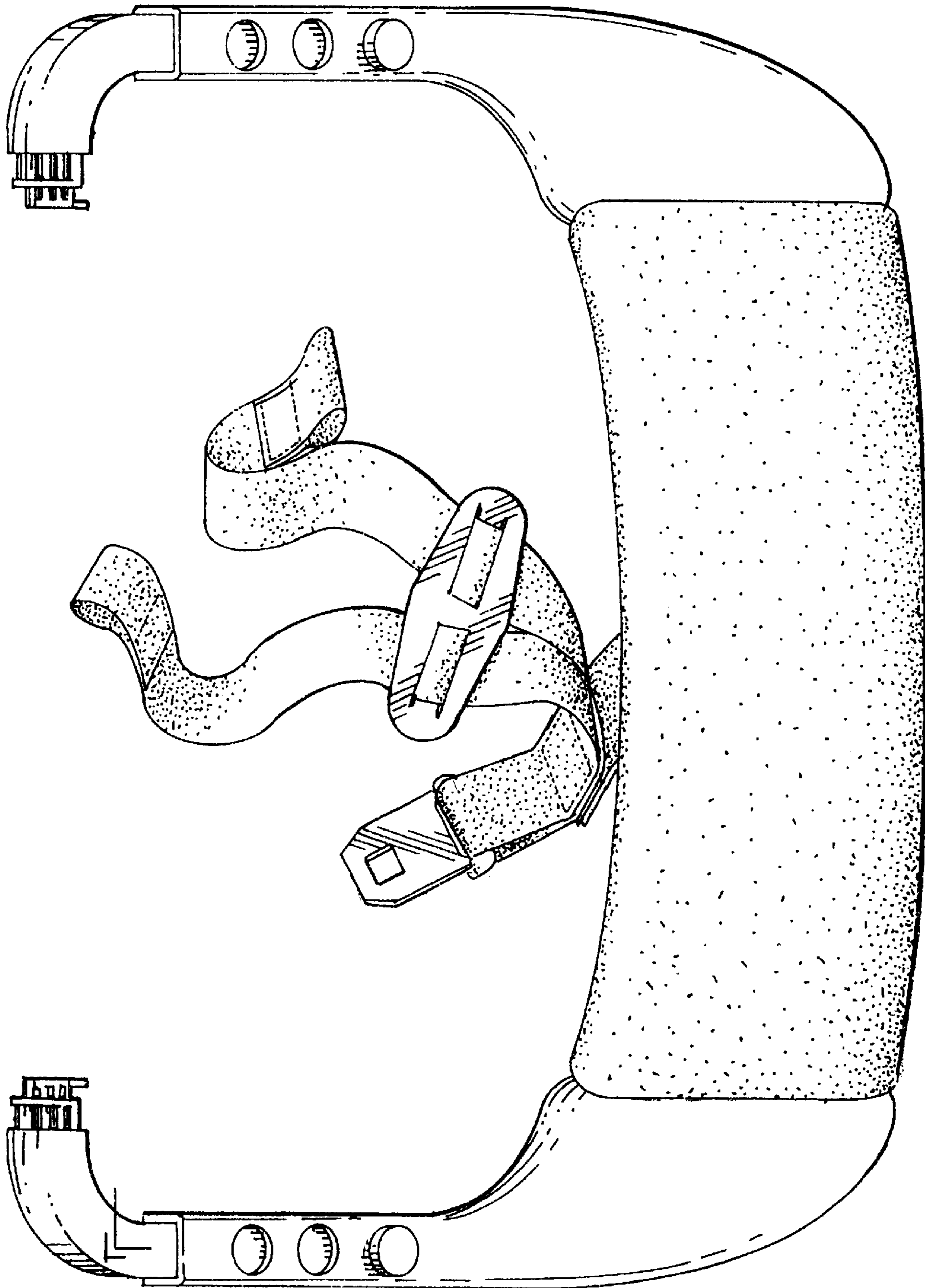


FIG.4

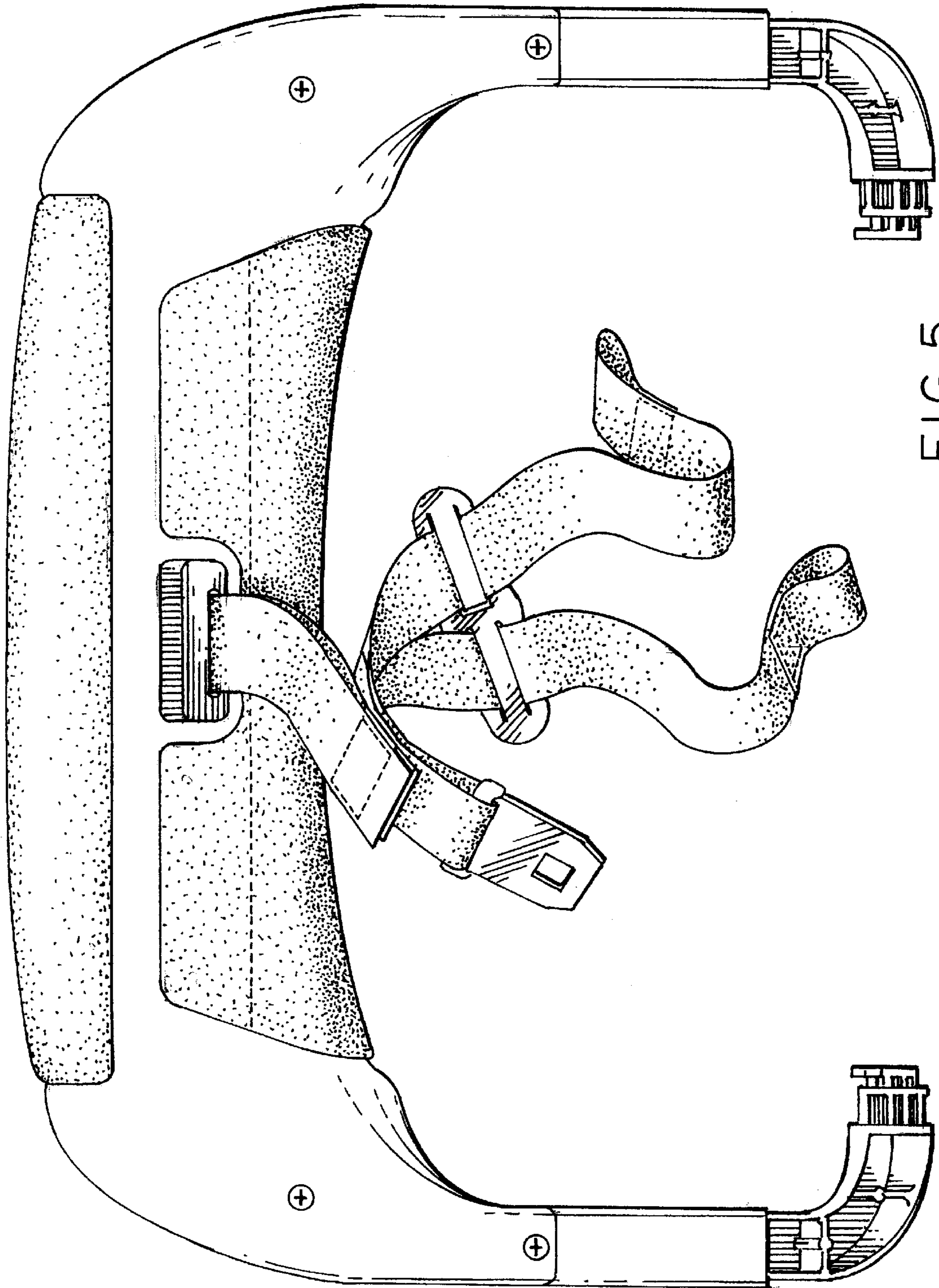


FIG. 5

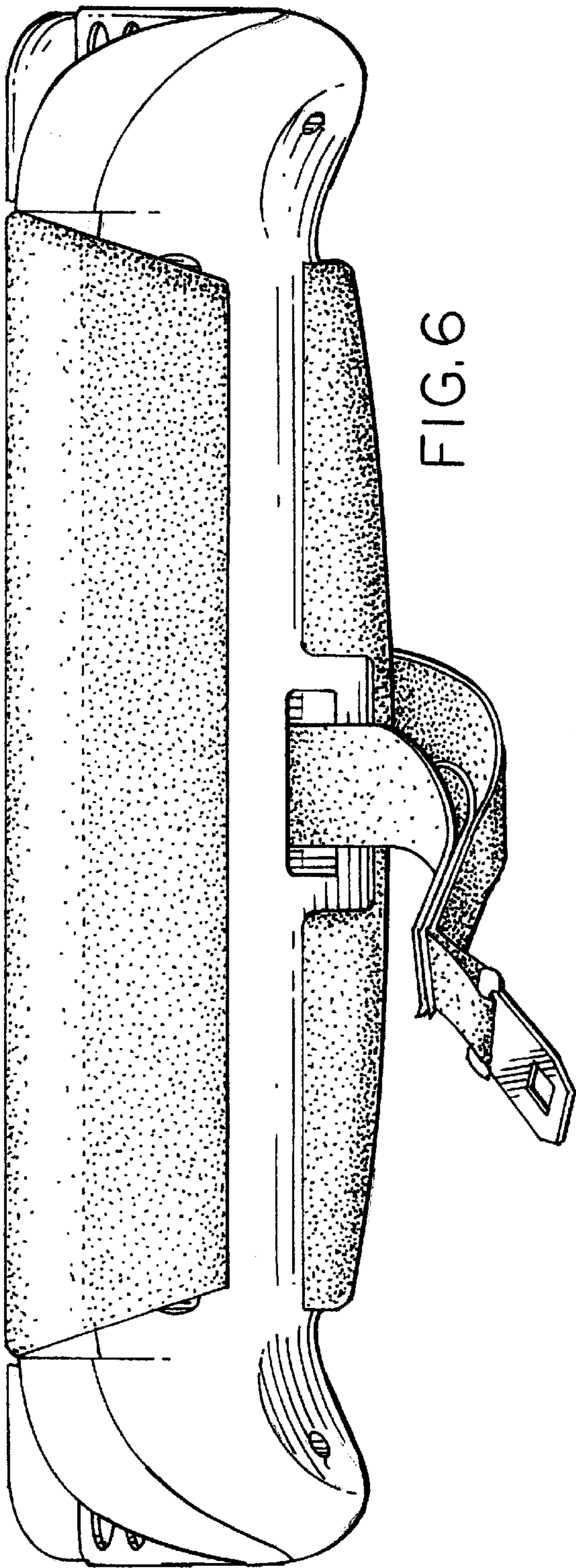


FIG. 6

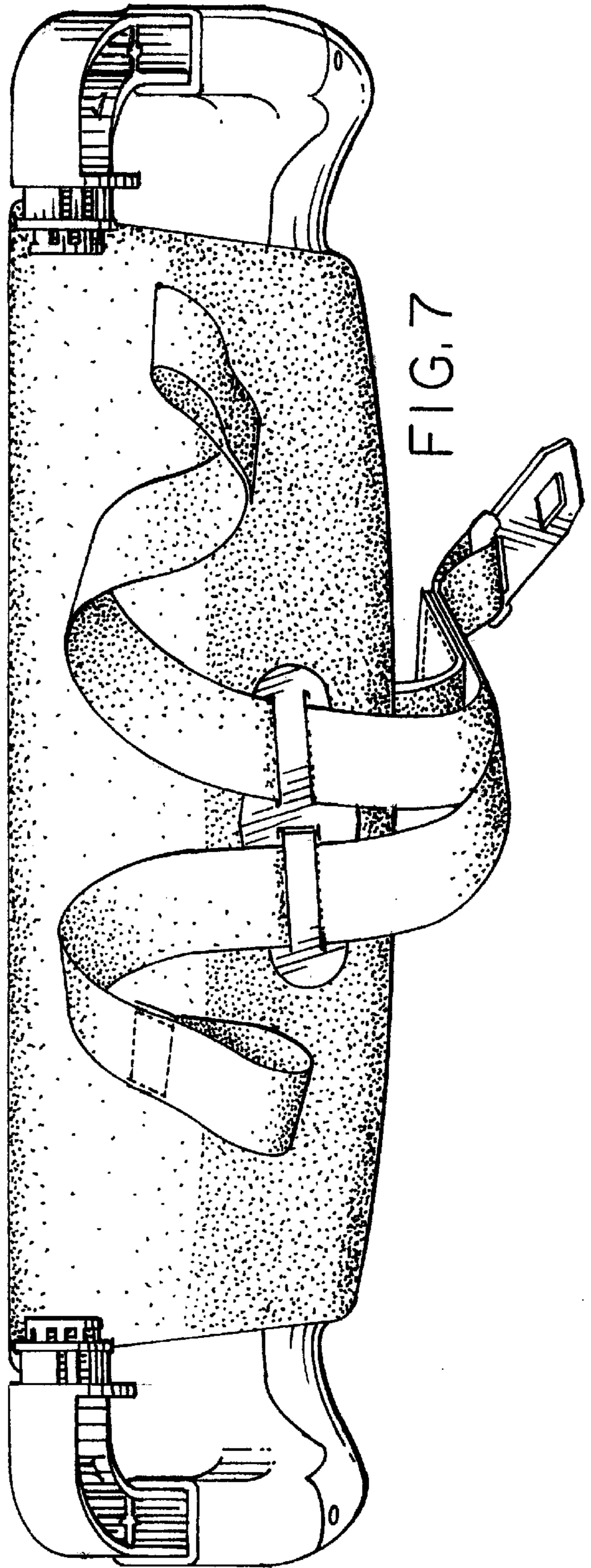


FIG. 7

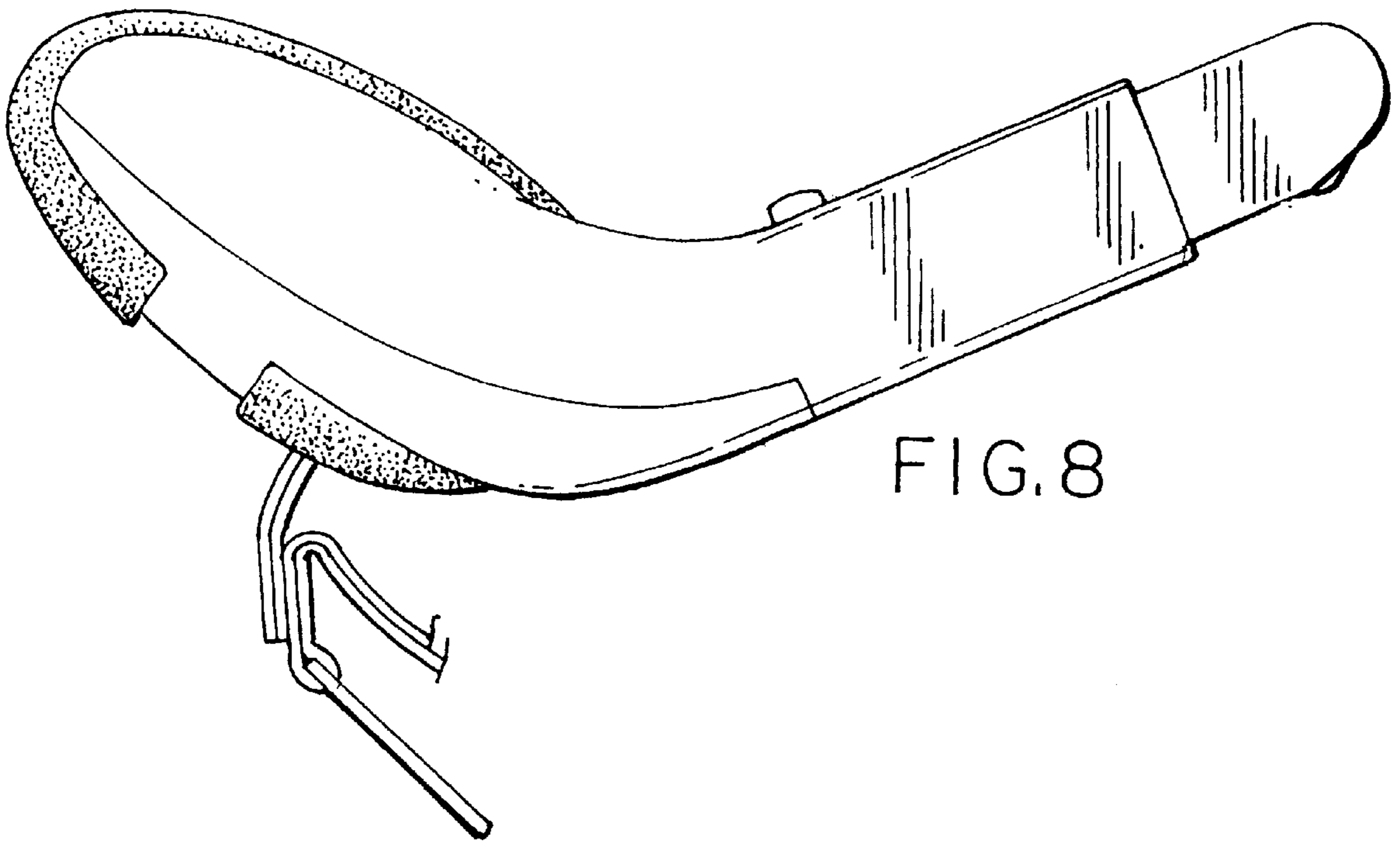


FIG. 8

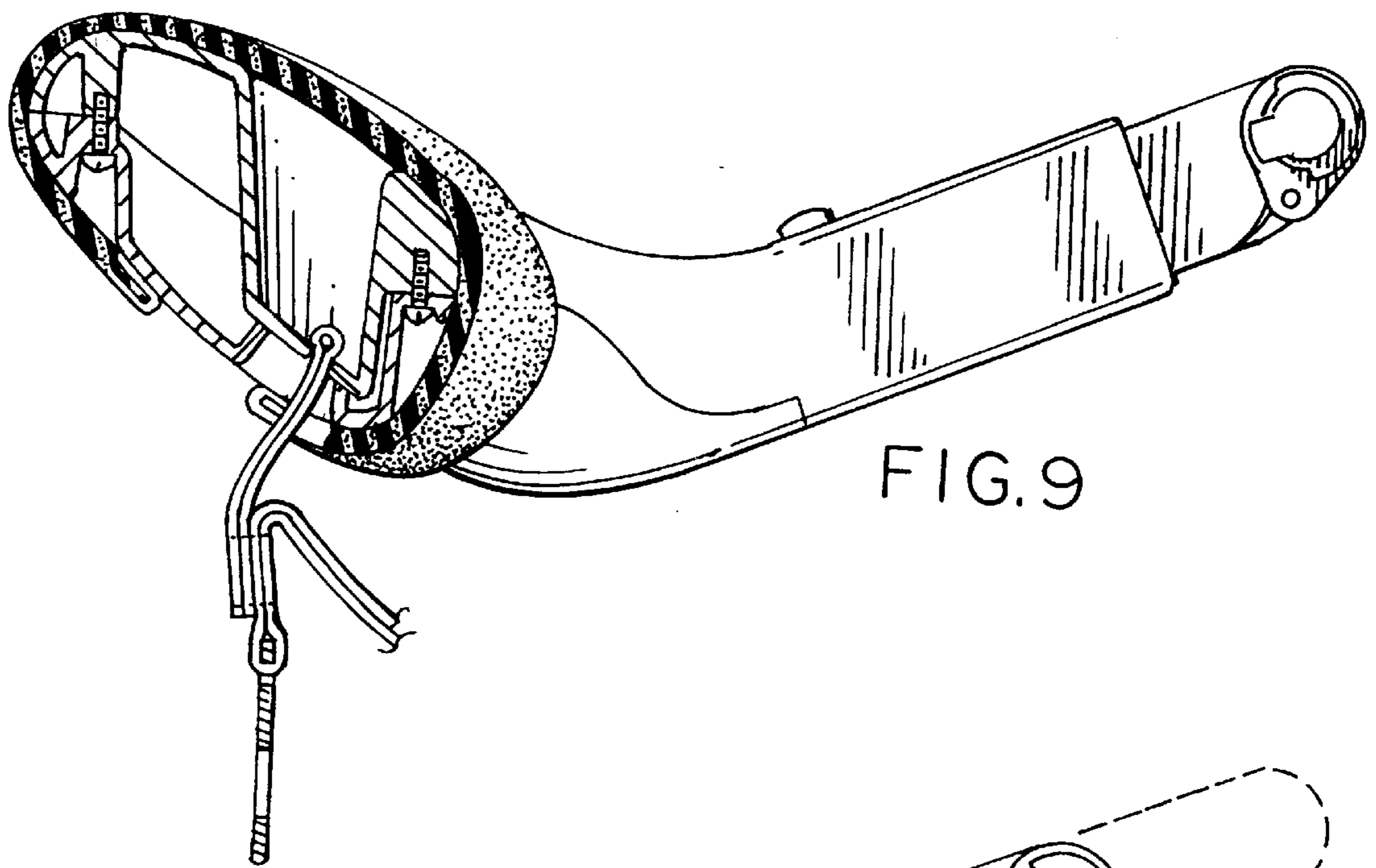


FIG. 9

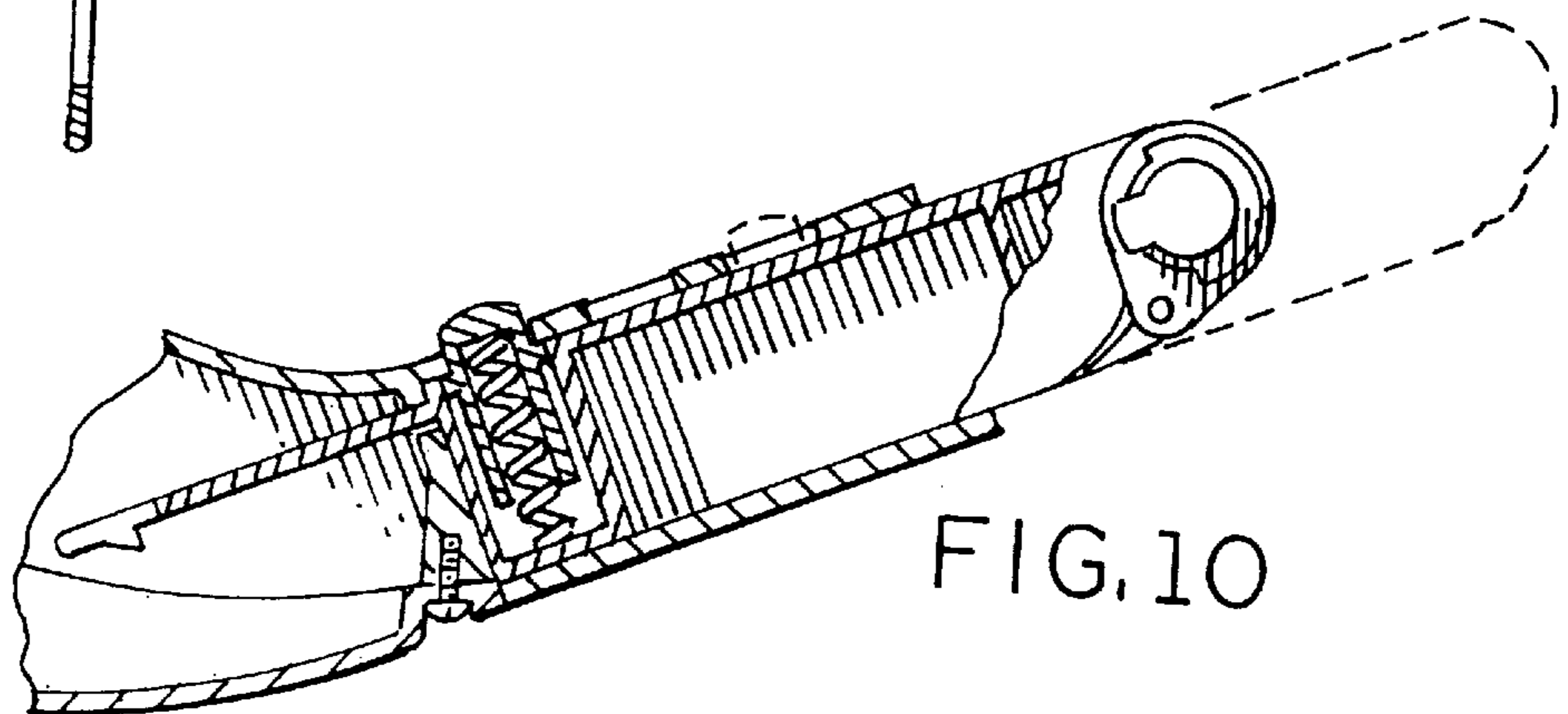


FIG. 10